



US00D532260S

(12) **United States Design Patent**
Shen et al.

(10) **Patent No.:** **US D532,260 S**

(45) **Date of Patent:** **** Nov. 21, 2006**

(54) **STAIRCASE KNIFE BLOCK**

(75) Inventors: **Wei Shen**, San Gabriel, CA (US);
Barbara Ayon, Los Angeles, CA (US)

(73) Assignee: **Tabletops Unlimited, Inc.**, Carson, CA (US)

(**) Term: **14 Years**

(21) Appl. No.: **29/239,385**

(22) Filed: **Sep. 28, 2005**

Related U.S. Application Data

(63) Continuation-in-part of application No. 29/215,953, filed on Oct. 26, 2004, now abandoned.

(51) **LOC (8) Cl.** **07-06**

(52) **U.S. Cl.** **D7/637**

(58) **Field of Classification Search** D7/637-641;
211/60.1, 70.6, 70.7; 248/37.3, 37.6; 30/298.4
See application file for complete search history.

(56) **References Cited**

U.S. PATENT DOCUMENTS

D400,057 S * 10/1998 Bounds et al. D7/637
6,371,312 B1 * 4/2002 Tsuchida 211/70.7

* cited by examiner

Primary Examiner—Terry A. Wallace

(74) *Attorney, Agent, or Firm*—Blakely, Sokoloff, Taylor & Zafman LLP

(57) **CLAIM**

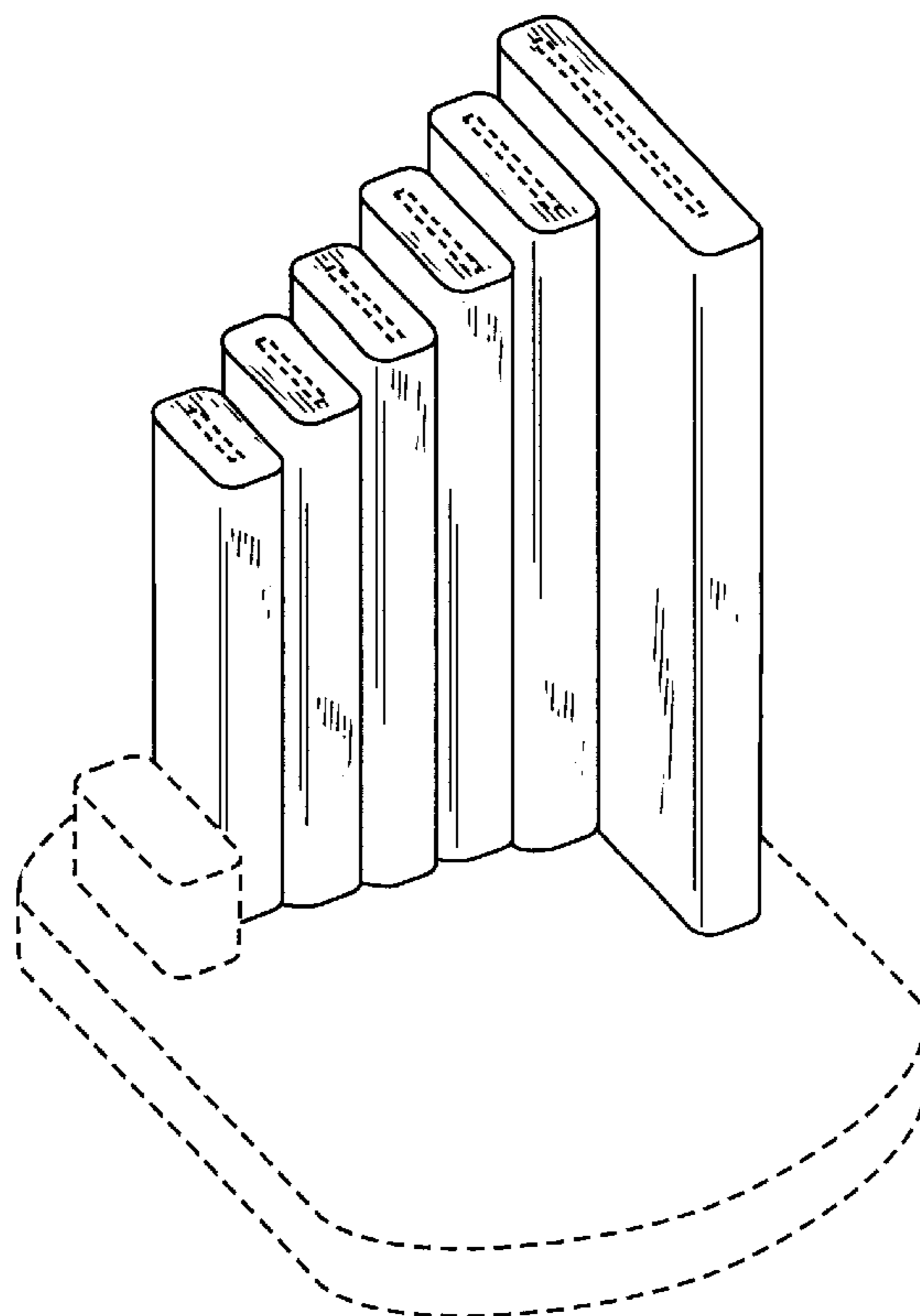
The ornamental design for a staircase knife block, as shown and described.

DESCRIPTION

FIG. 1 is a left view of a staircase knife block.
FIG. 2 is right view of the staircase knife block.
FIG. 3 is a back view of the staircase knife block.
FIG. 4 is a front view of the staircase knife block.
FIG. 5 is a top view of the staircase knife block.
FIG. 6 is a bottom view of the staircase knife block.
FIG. 7 is a perspective view of the staircase knife block.
FIG. 8 is a perspective view of an alternative embodiment of FIG. 1; and,
FIG. 9 is a perspective view of an alternative embodiment of FIG. 1.

The broken lines in the figures are for environmental purpose only and form no part of the claimed design.
The embodiments of FIGS. 8 and 9 are shown in single views, where the only differences between these embodiments and the first (FIGS. 1-7) are in the number of segments (four in FIG. 8, seven in FIG. 9, as compared to six in FIGS. 1-7), it being understood that all other surfaces are the same as those of the first embodiment.

1 Claim, 6 Drawing Sheets



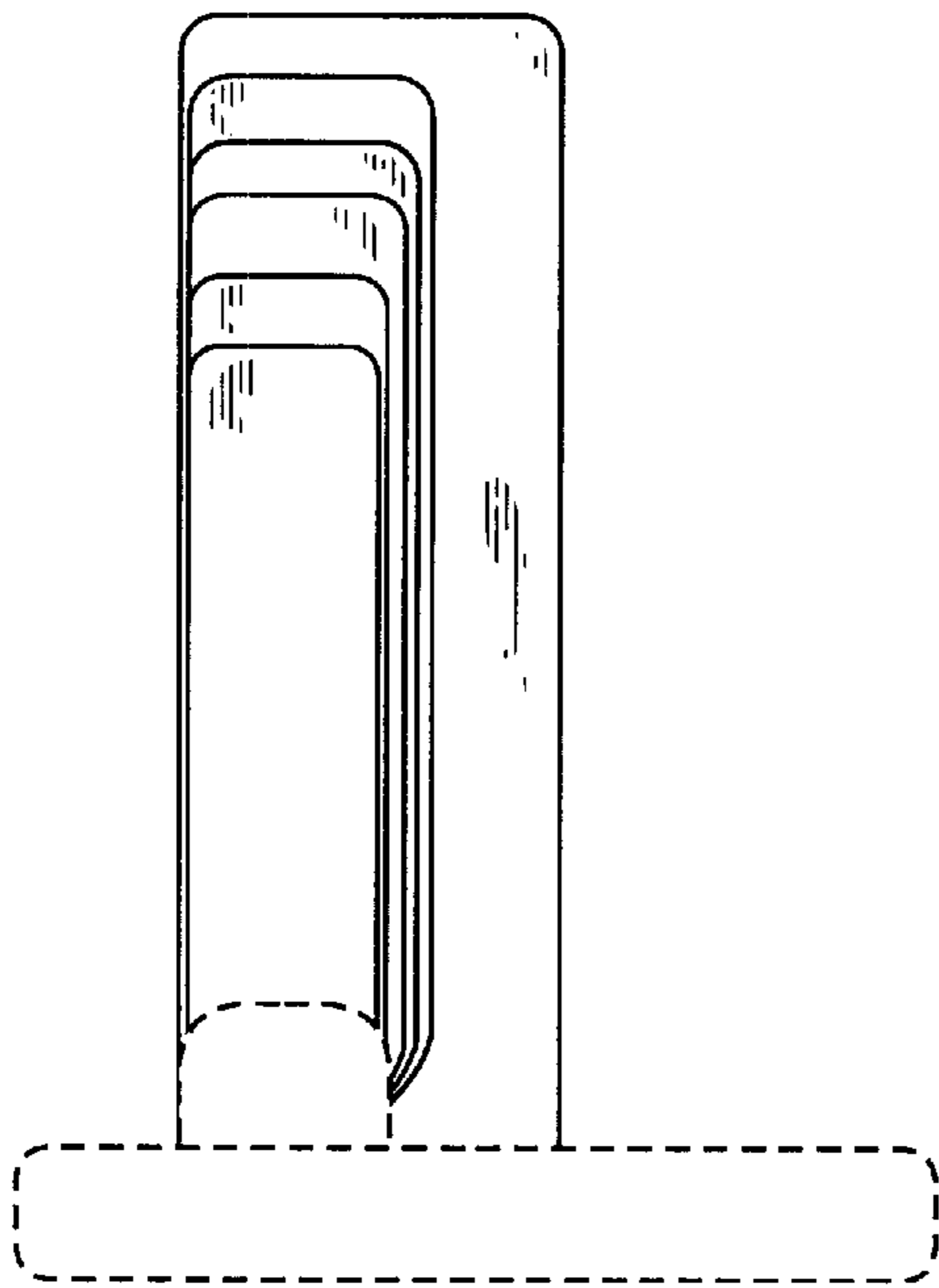


FIG. 1

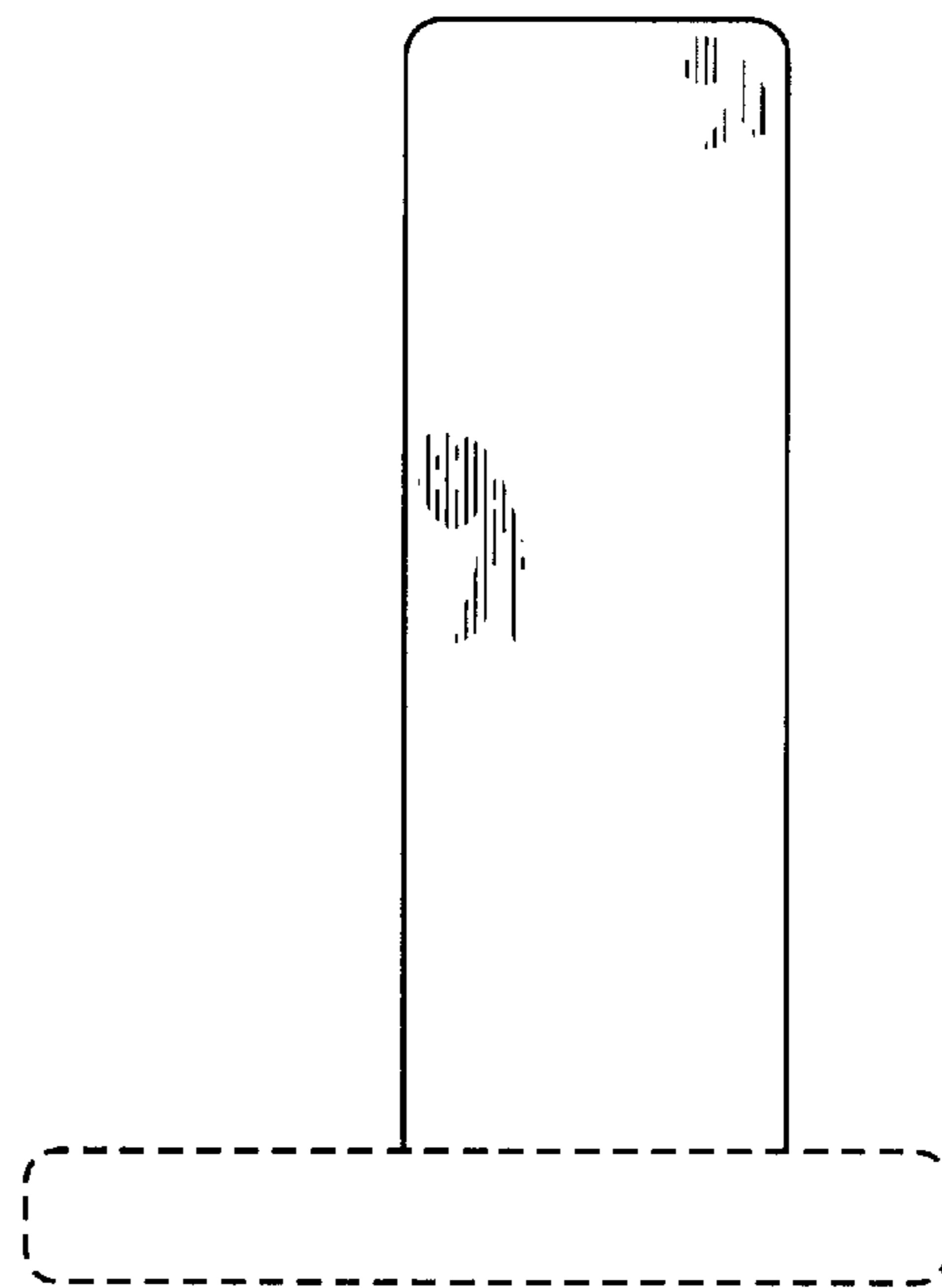


FIG. 2

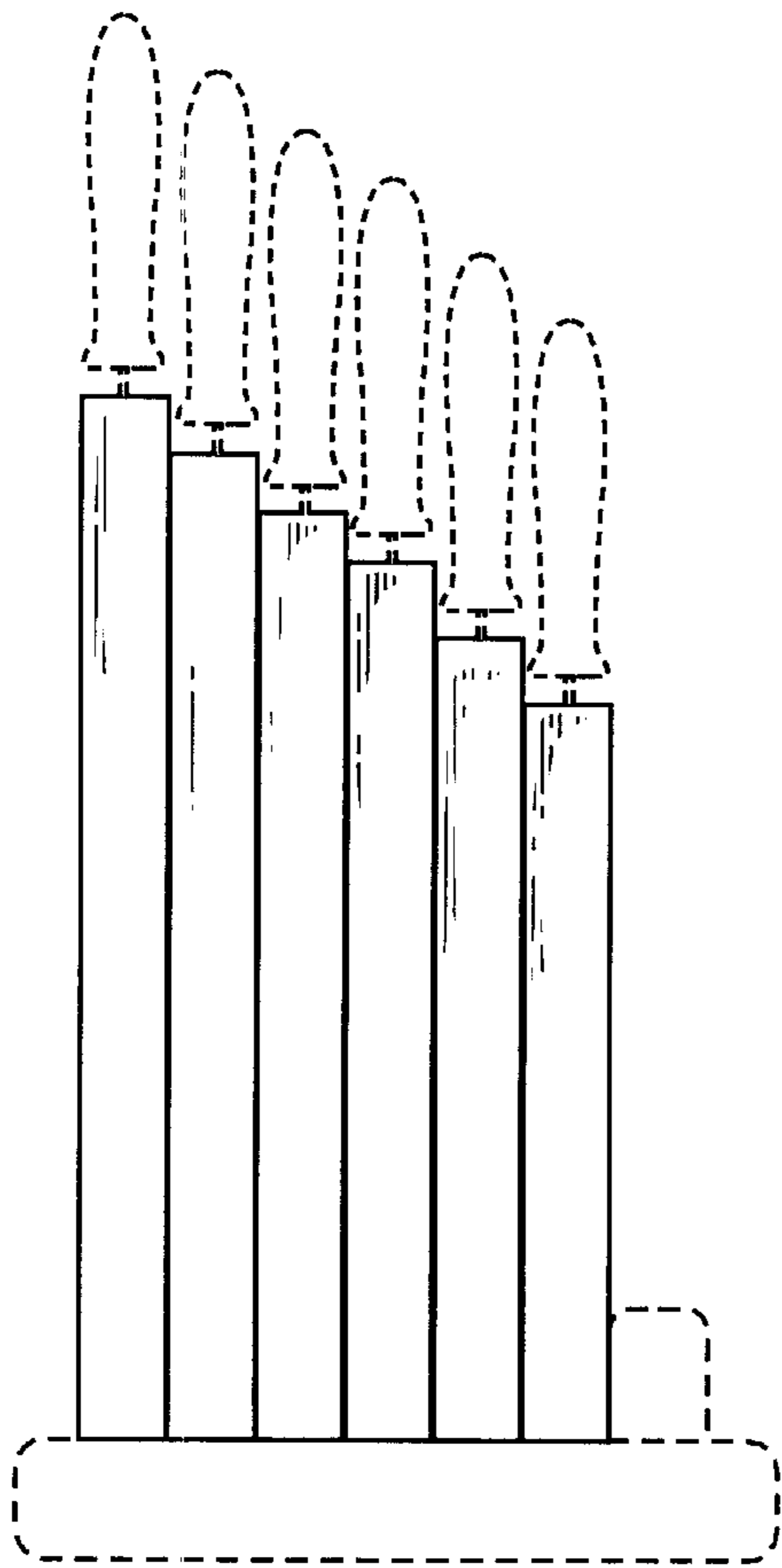


FIG. 3

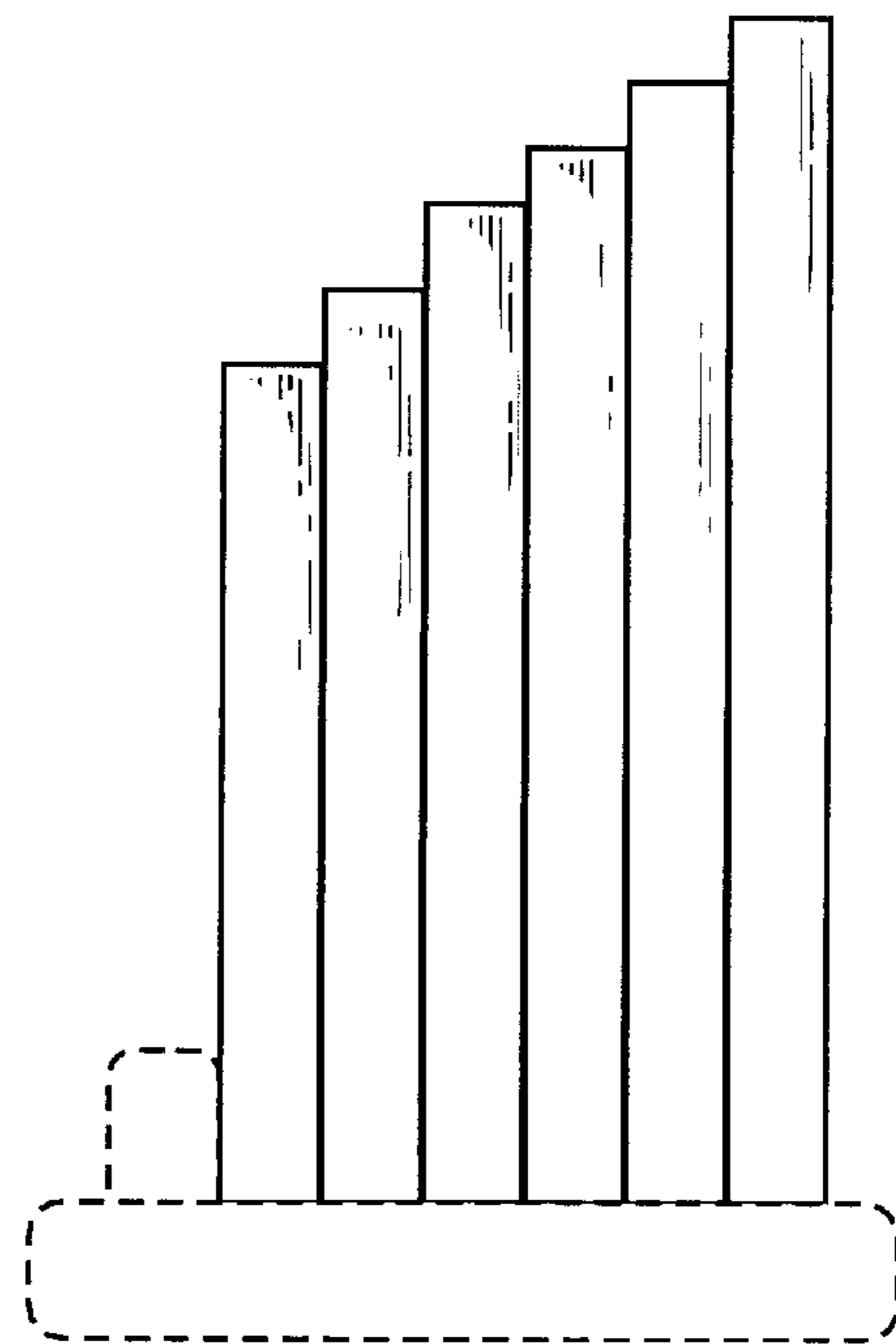


FIG. 4

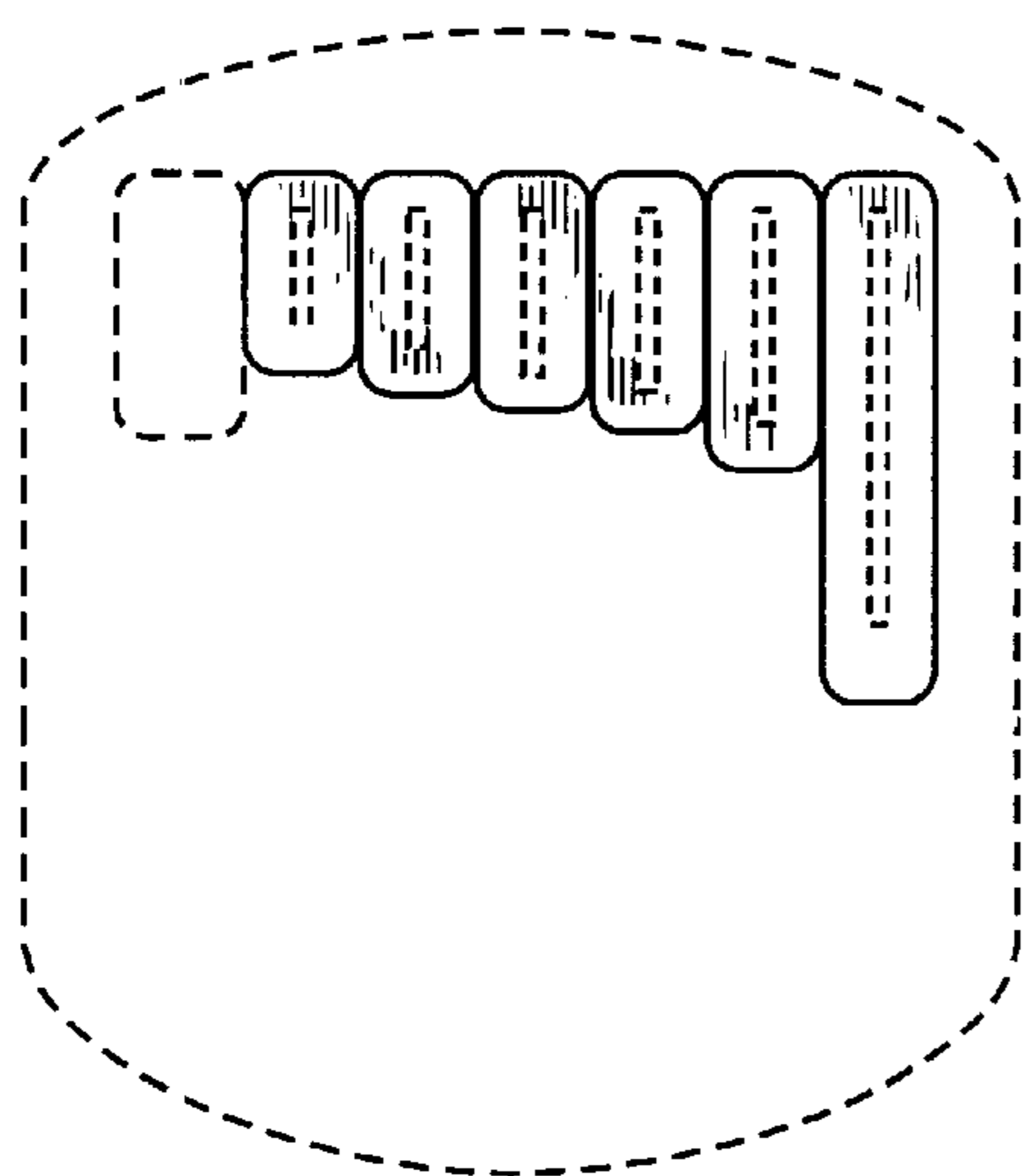


FIG. 5

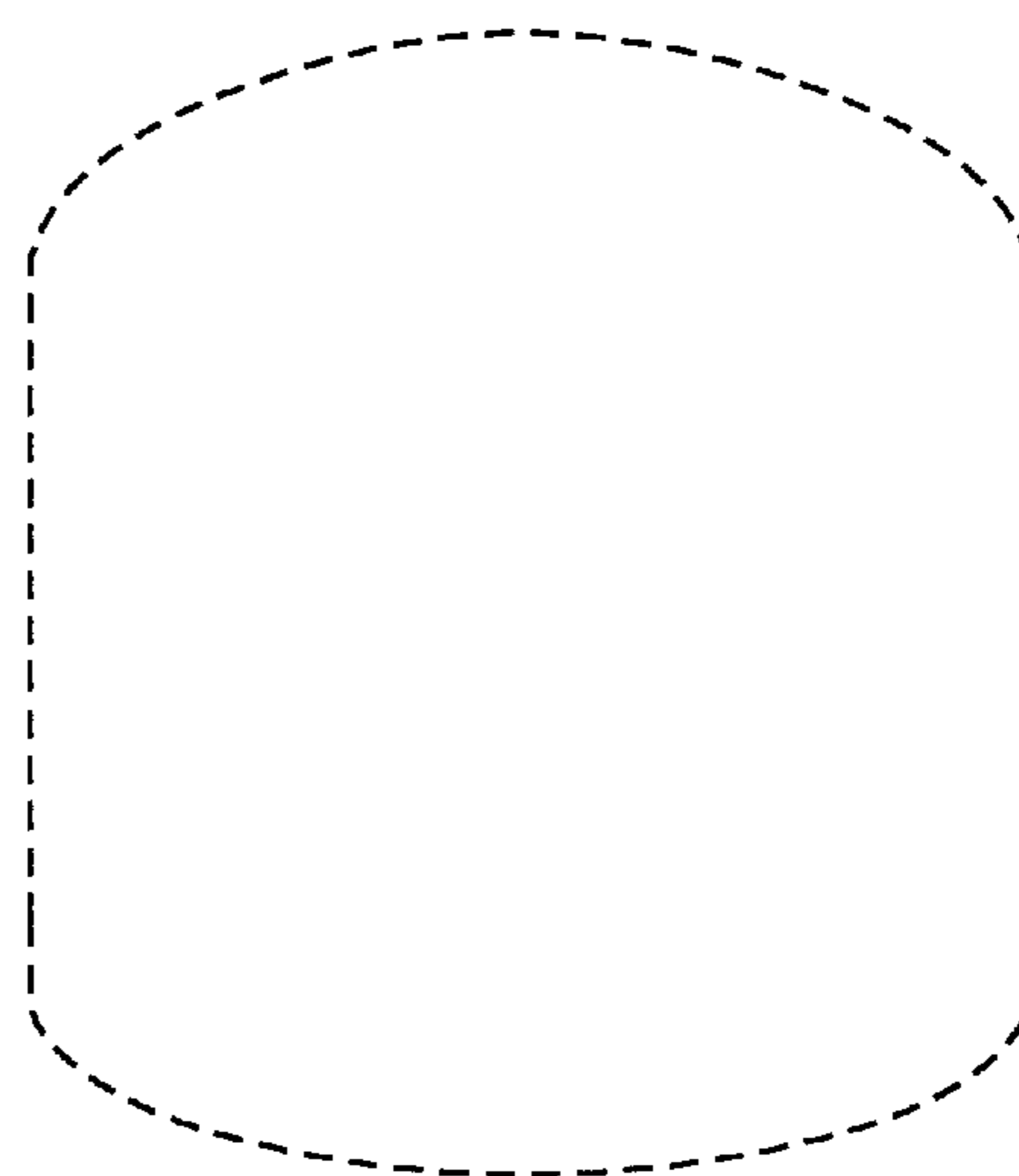


FIG. 6

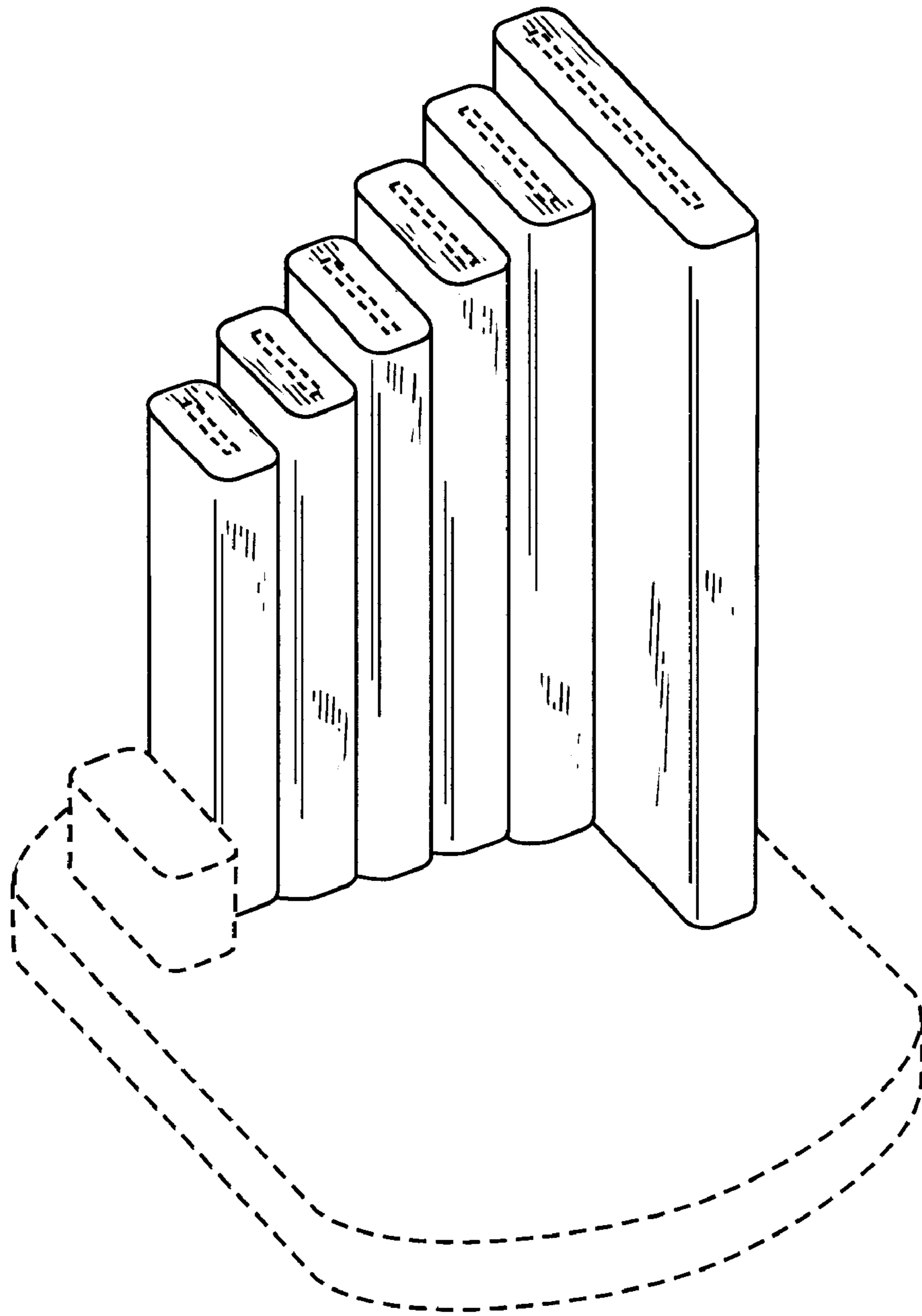


FIG. 7

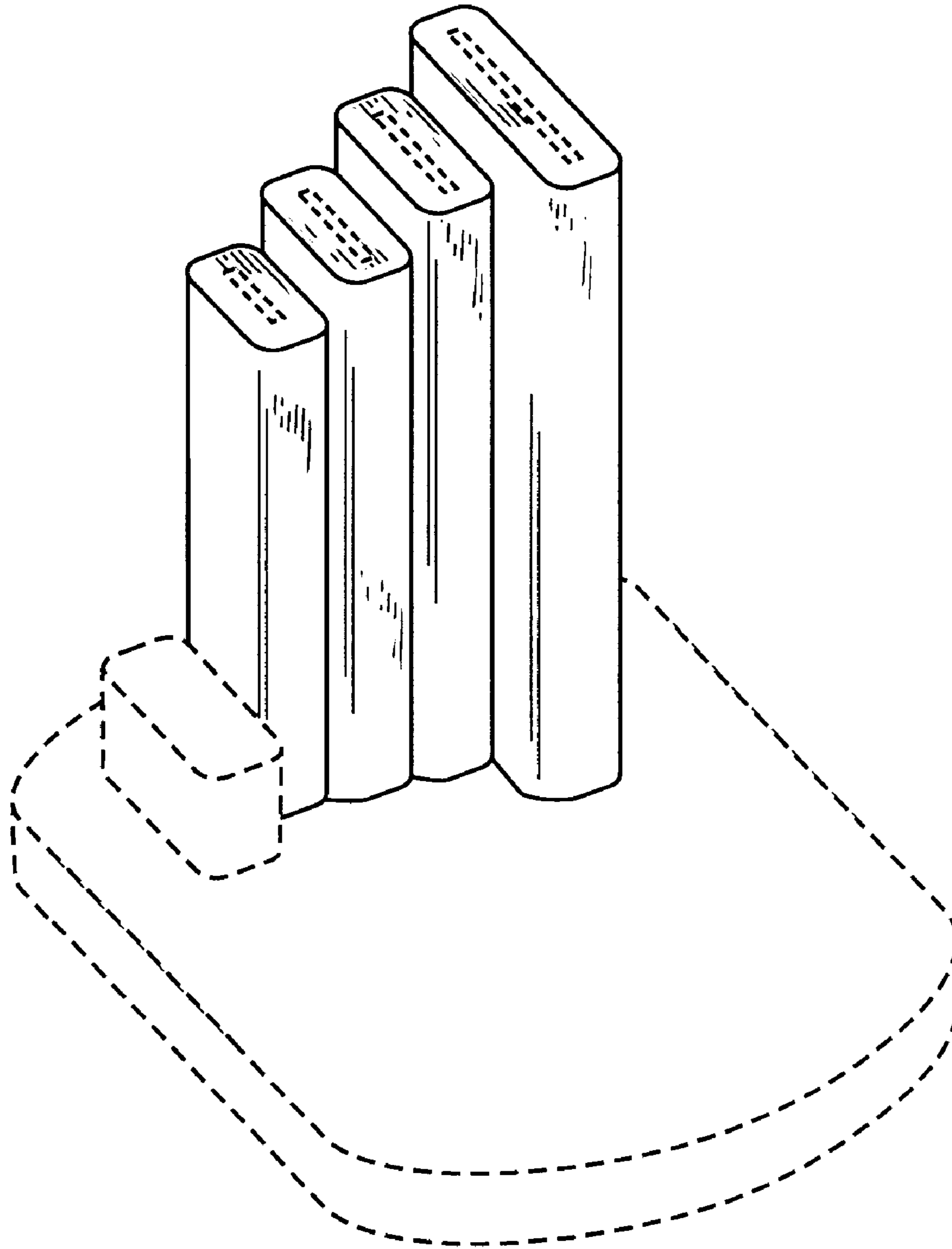


FIG. 8

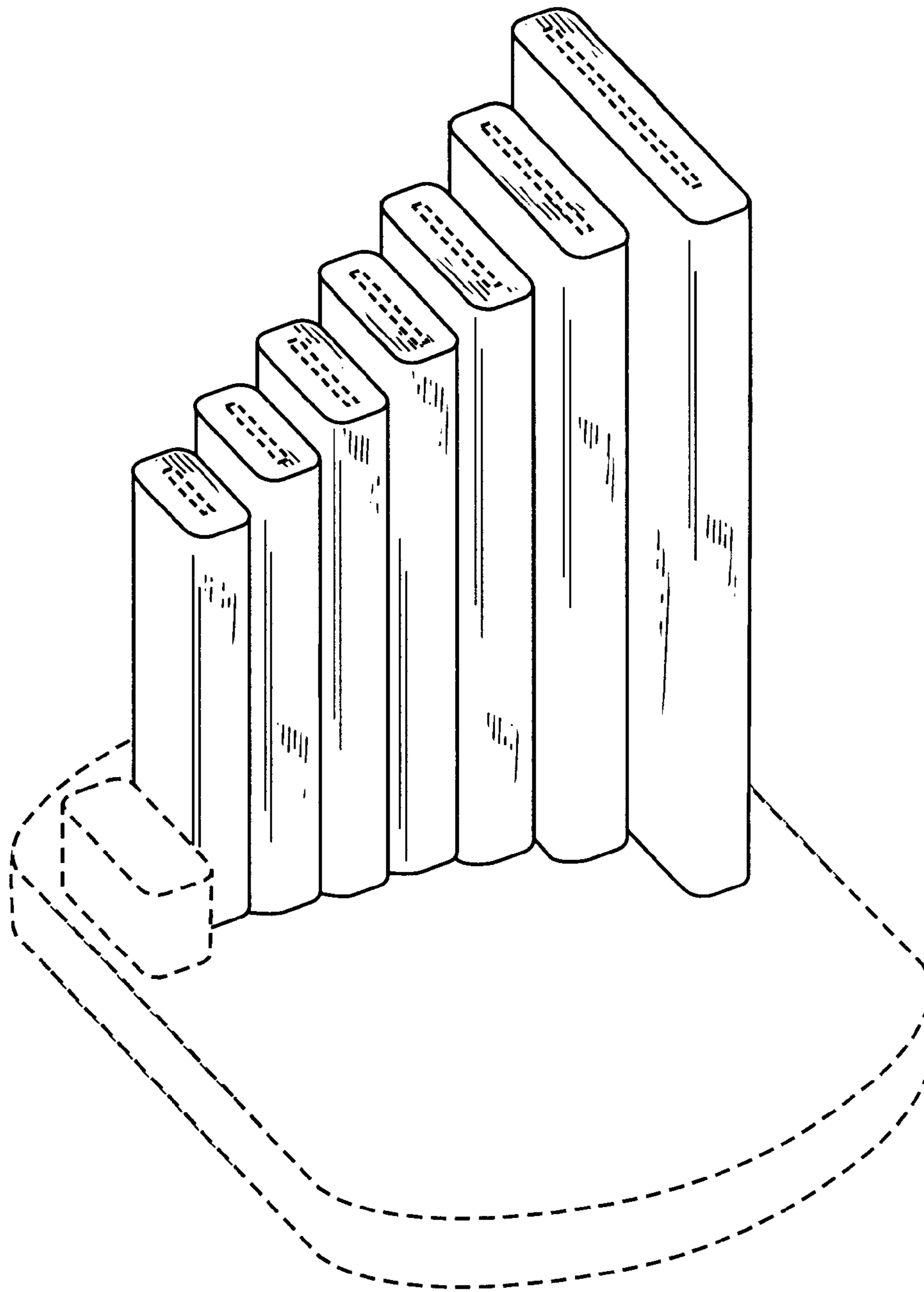


FIG. 9