



US00D532259S

(12) **United States Design Patent**
Goodman et al.

(10) **Patent No.:** **US D532,259 S**

(45) **Date of Patent:** **** Nov. 21, 2006**

(54) **SPOON REST**

6,505,746 B1 * 1/2003 Johnson 211/70.7

(75) Inventors: **Sheldon H. Goodman**, Solon, OH
(US); **Robert L. Blackadar**, Medina,
OH (US)

* cited by examiner

Primary Examiner—Terry A. Wallace

(74) *Attorney, Agent, or Firm*—Pearne & Gordon LLP

(73) Assignee: **Spectrum Diversified Designs, Inc.**,
Streetsboro, OH (US)

(57) **CLAIM**

(**) Term: **14 Years**

The ornamental design for a spoon rest, as shown and described.

(21) Appl. No.: **29/239,043**

DESCRIPTION

(22) Filed: **Sep. 23, 2005**

(51) **LOC (8) Cl.** **07-07**

FIG. 1 is a perspective view of a spoon rest showing our new design;

(52) **U.S. Cl.** **D7/637; D7/601**

FIG. 2 is a front elevational view thereof;

(58) **Field of Classification Search** D7/601,
D7/637-641; 211/60.1, 70.6, 70.7, 74; 248/37.3,
248/37.6, 311.2, 309.1, 126

FIG. 3 is a top plan view thereof; and,

FIG. 4 is side elevational view thereof.

See application file for complete search history.

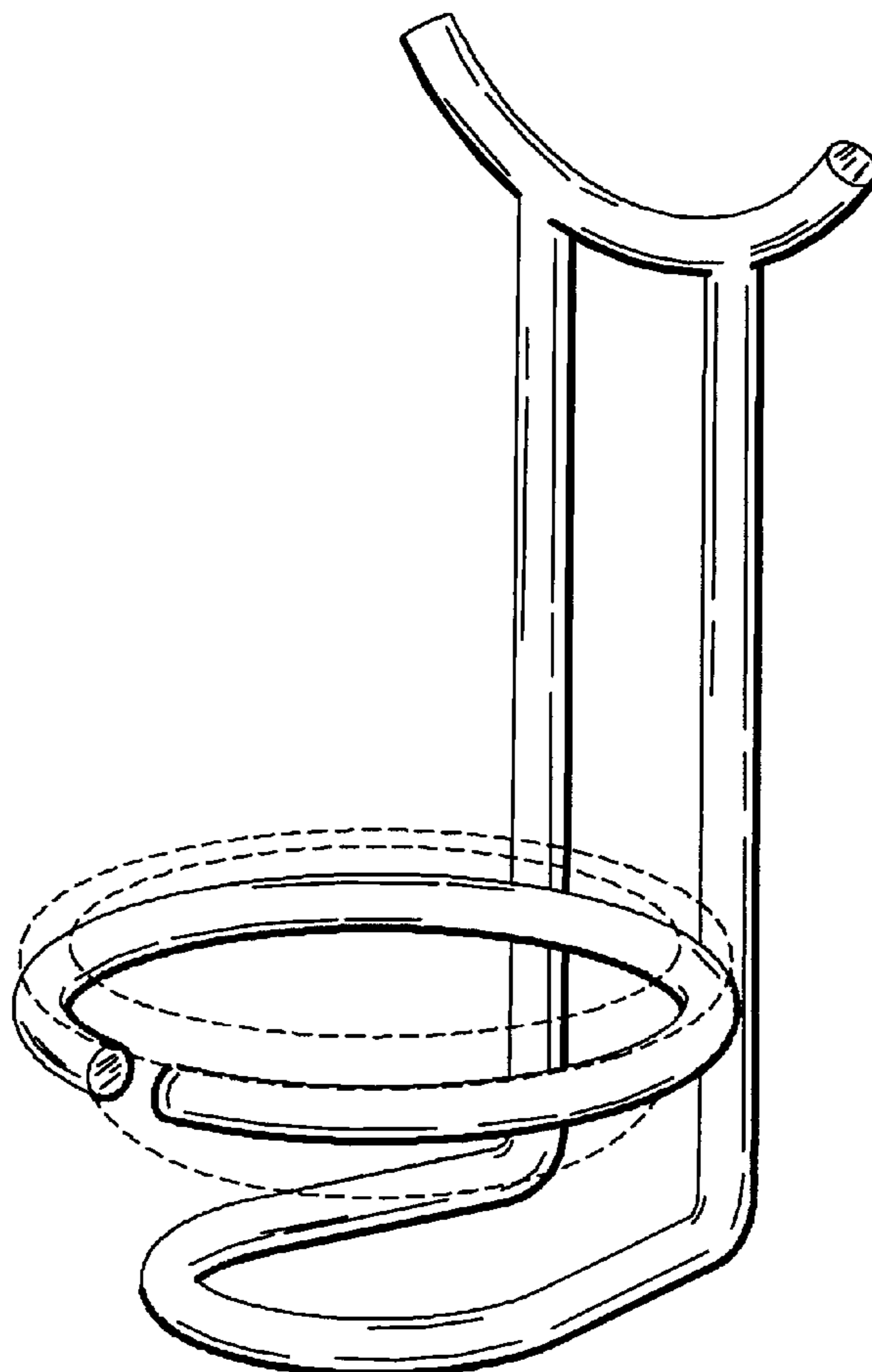
The broken-line disclosure of elements in the views is for illustrative purposes only and forms no part of the claimed design.

(56) **References Cited**

U.S. PATENT DOCUMENTS

2,286,012 A * 6/1942 Rochow 248/37.6

1 Claim, 2 Drawing Sheets



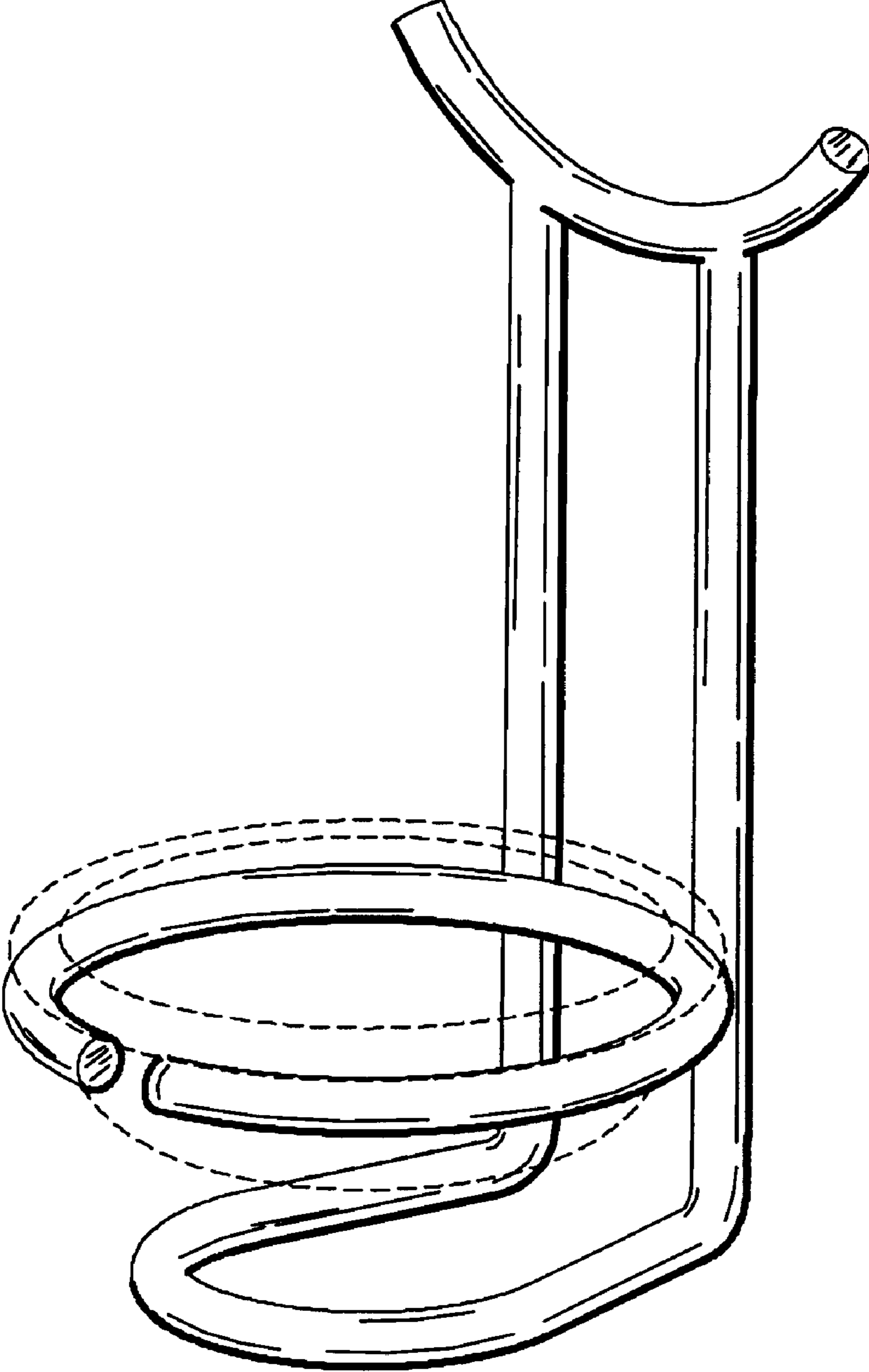


Fig. 1

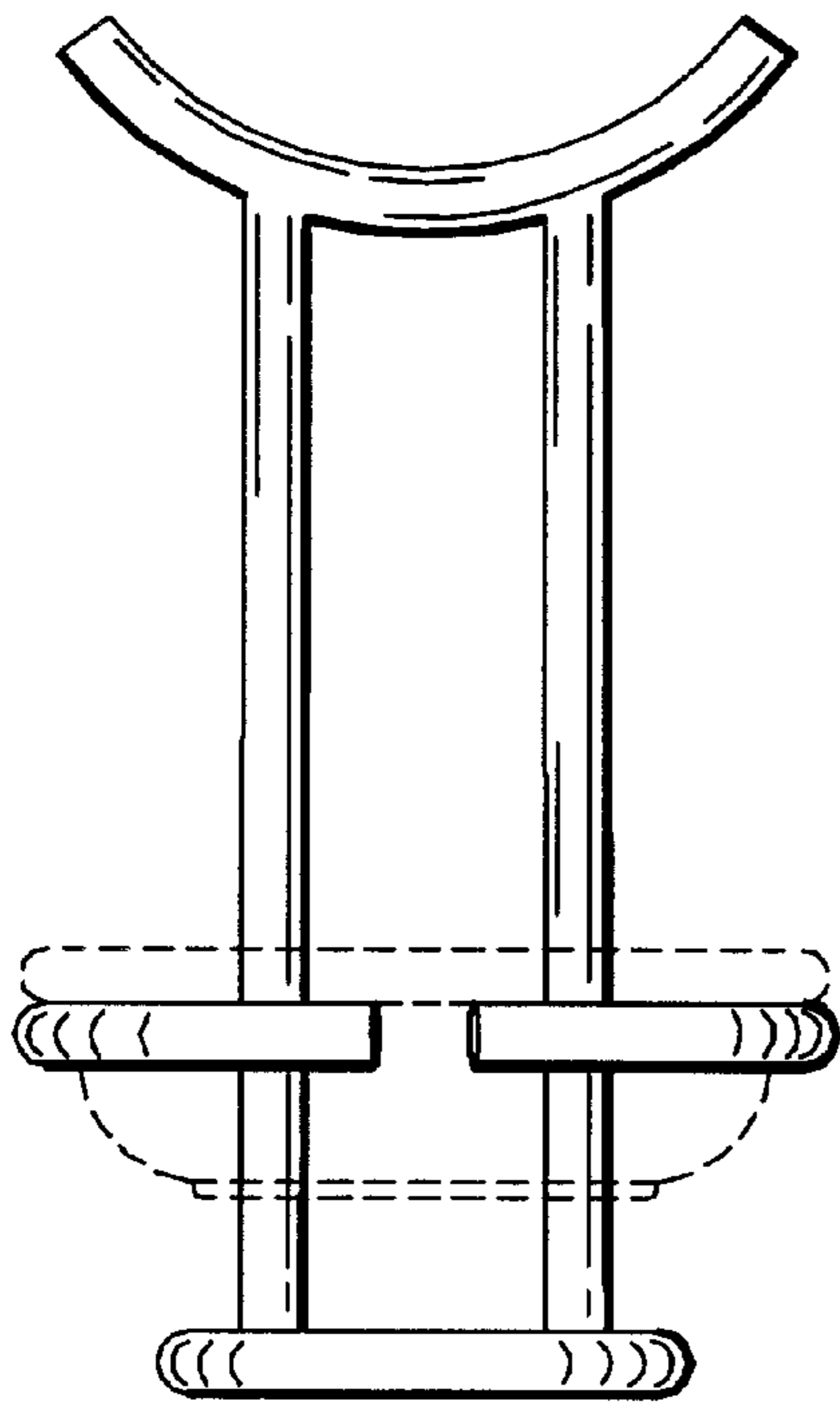


Fig. 2

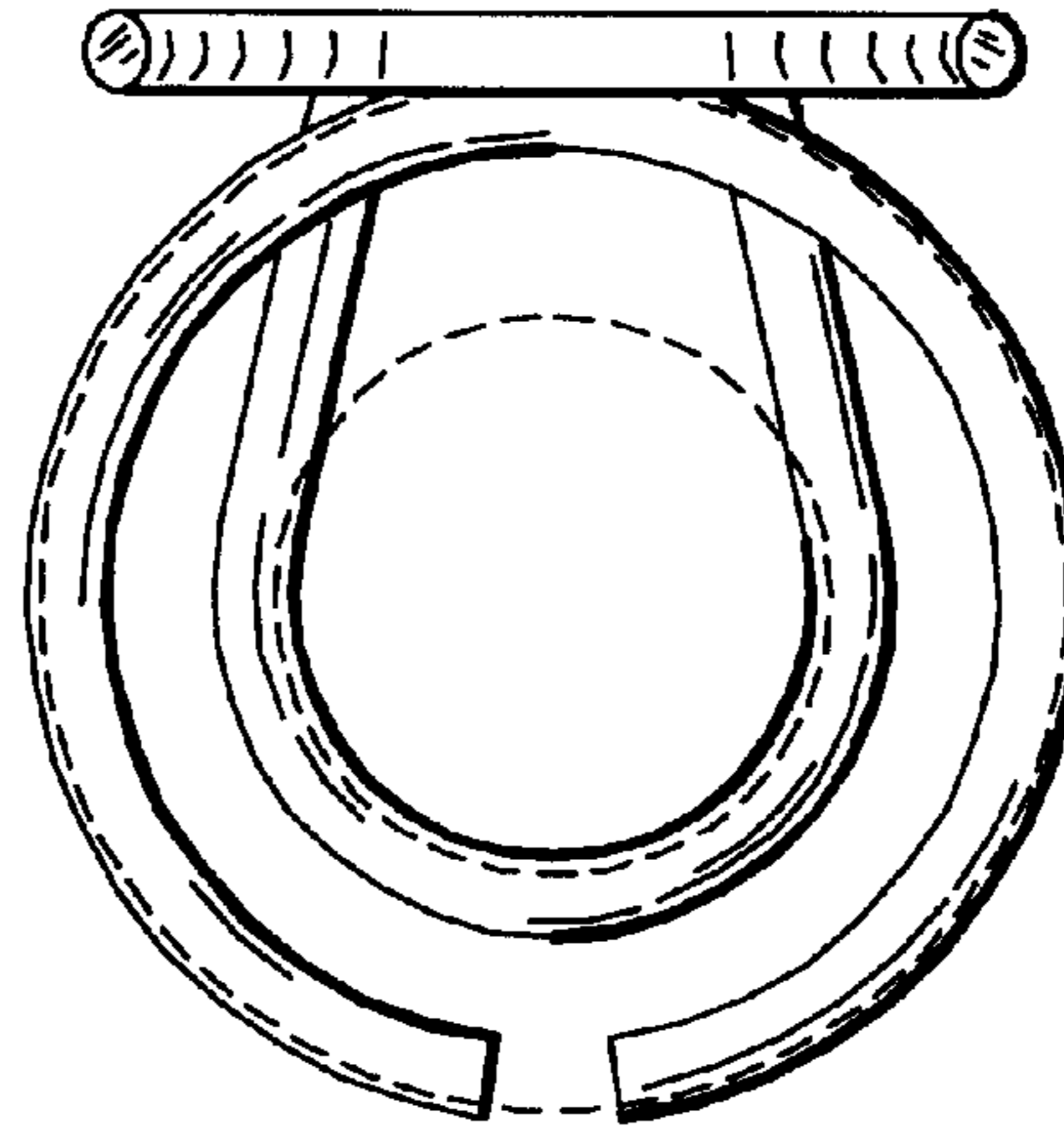


Fig. 3

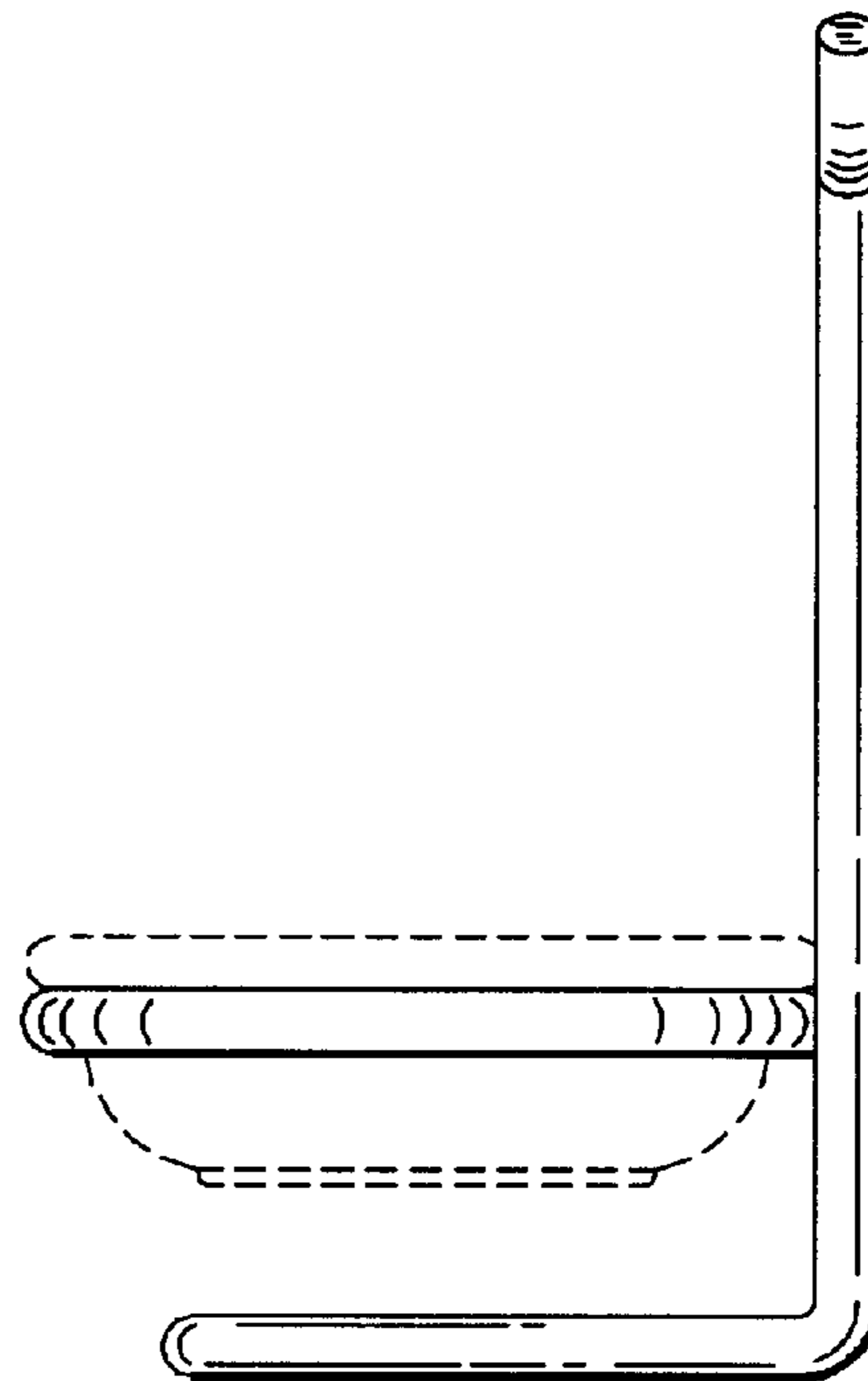


Fig. 4