



US00D532258S

(12) **United States Design Patent**
Bardolet

(10) **Patent No.:** **US D532,258 S**

(45) **Date of Patent:** **** Nov. 21, 2006**

(54) **TRAY**

(75) Inventor: **Jesus Bardolet**, Barcelona (ES)

(73) Assignee: **Bardolet & Co., S.L.**, Baecelona (ES)

(**) Term: **14 Years**

(21) Appl. No.: **29/223,109**

(22) Filed: **Feb. 7, 2005**

(30) **Foreign Application Priority Data**

Nov. 8, 2004 (EM) 248380

(51) **LOC (8) Cl.** **07-01**

(52) **U.S. Cl.** **D7/554.3**

(58) **Field of Classification Search** D7/552.1,
D7/553.2-553.3, 566, 554.1-554.3, 570,
D7/588, 584, 586, 505; D6/536; D9/430,
D9/431; 229/122.82, 125.01, 178, 110; 220/658,
220/574, 659, 622, 575, 102
See application file for complete search history.

(56) **References Cited**

U.S. PATENT DOCUMENTS

D33,217 S * 9/1900 Chevrier D7/566
D94,245 S * 1/1935 Sebring et al. D7/584
D233,501 S * 11/1974 Zeischegg D7/565

D285,396 S * 9/1986 Odate D6/536
D338,809 S * 8/1993 Bennett D7/584
D473,755 S * 4/2003 Thun D7/545
D496,224 S * 9/2004 Bennett D7/584
D497,781 S * 11/2004 Joseph D7/641

FOREIGN PATENT DOCUMENTS

GB 2022458 * 11/1992
GB 3010324 * 4/2003

* cited by examiner

Primary Examiner—Charles A. Rademaker

(74) *Attorney, Agent, or Firm*—Abelman, Frayne & Schwab

(57) **CLAIM**

The ornamental design for tray, as shown and described.

DESCRIPTION

FIG. 1 is a top perspective view of a tray showing my new design;

FIG. 2 is a top plan view thereof shown on a slightly reduced scale;

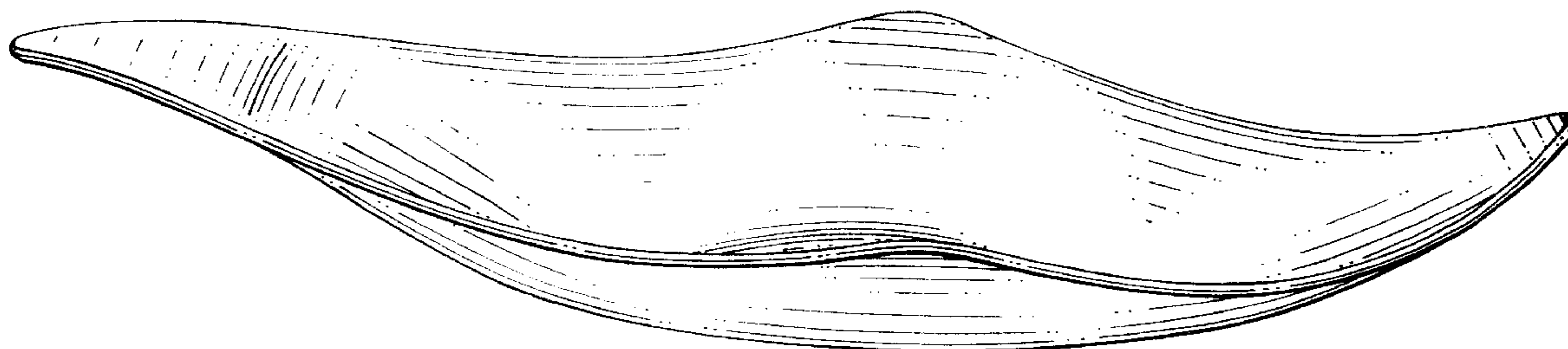
FIG. 3 is a front elevation thereof;

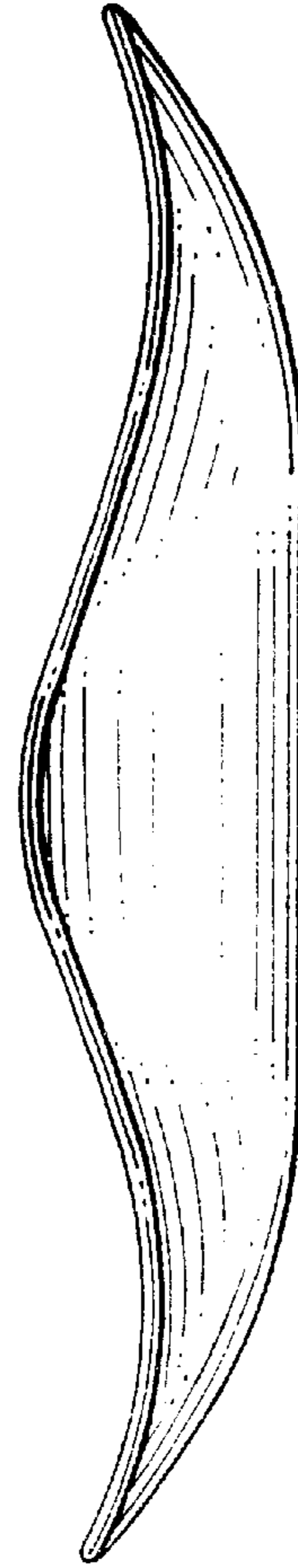
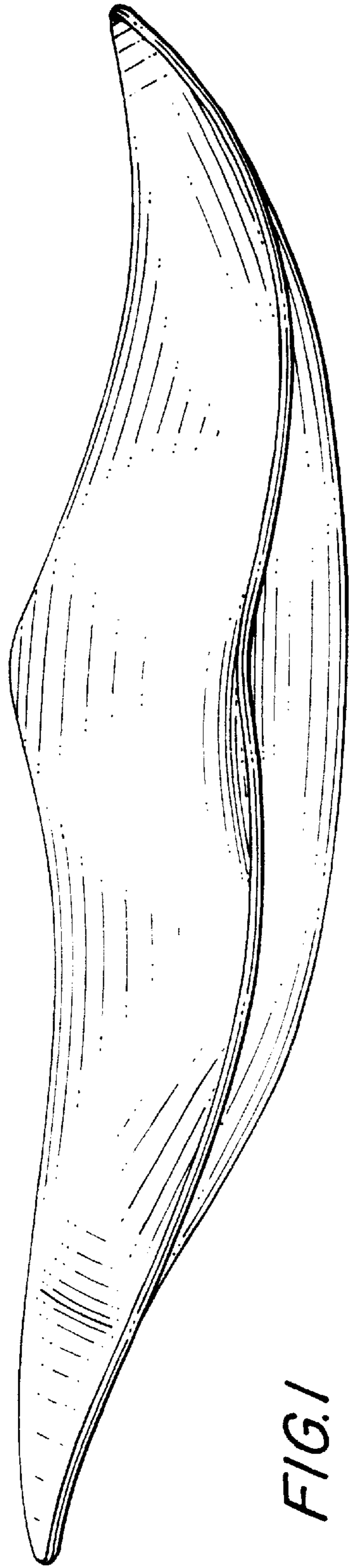
FIG. 4 is a left side elevation thereof;

FIG. 5 is a right side elevation thereof; and,

FIG. 6 is a bottom plan view thereof.

1 Claim, 3 Drawing Sheets





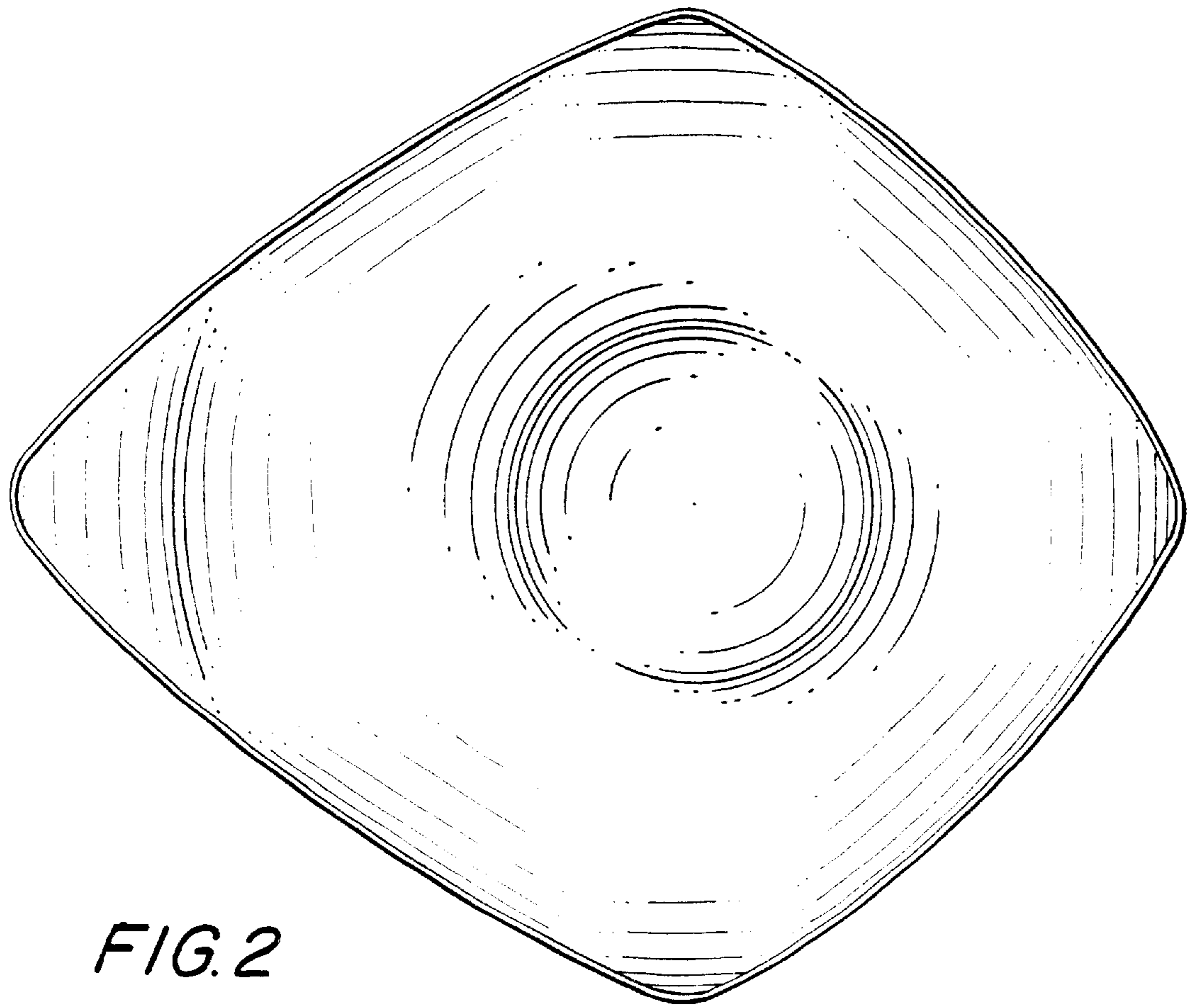


FIG. 2

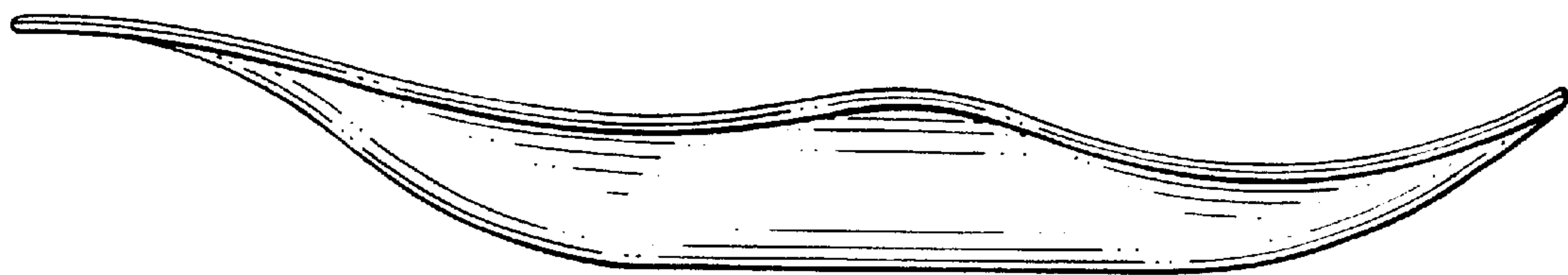


FIG. 3

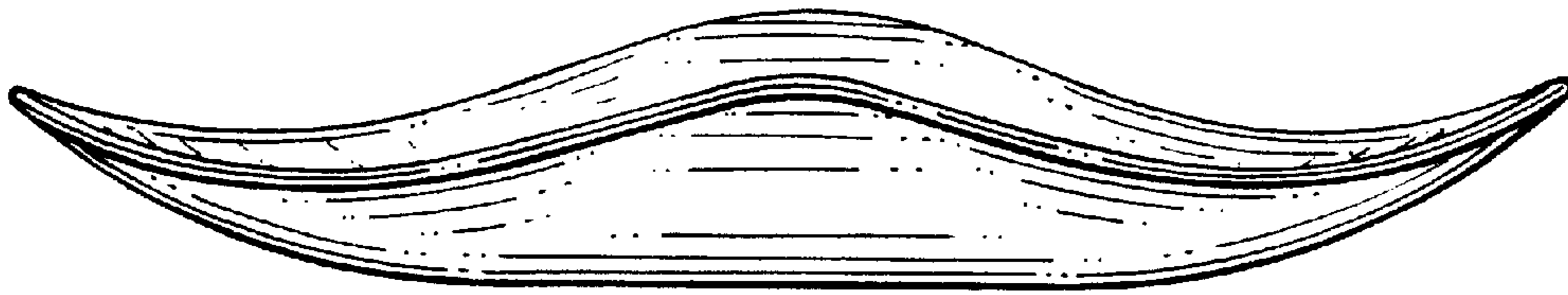


FIG. 5

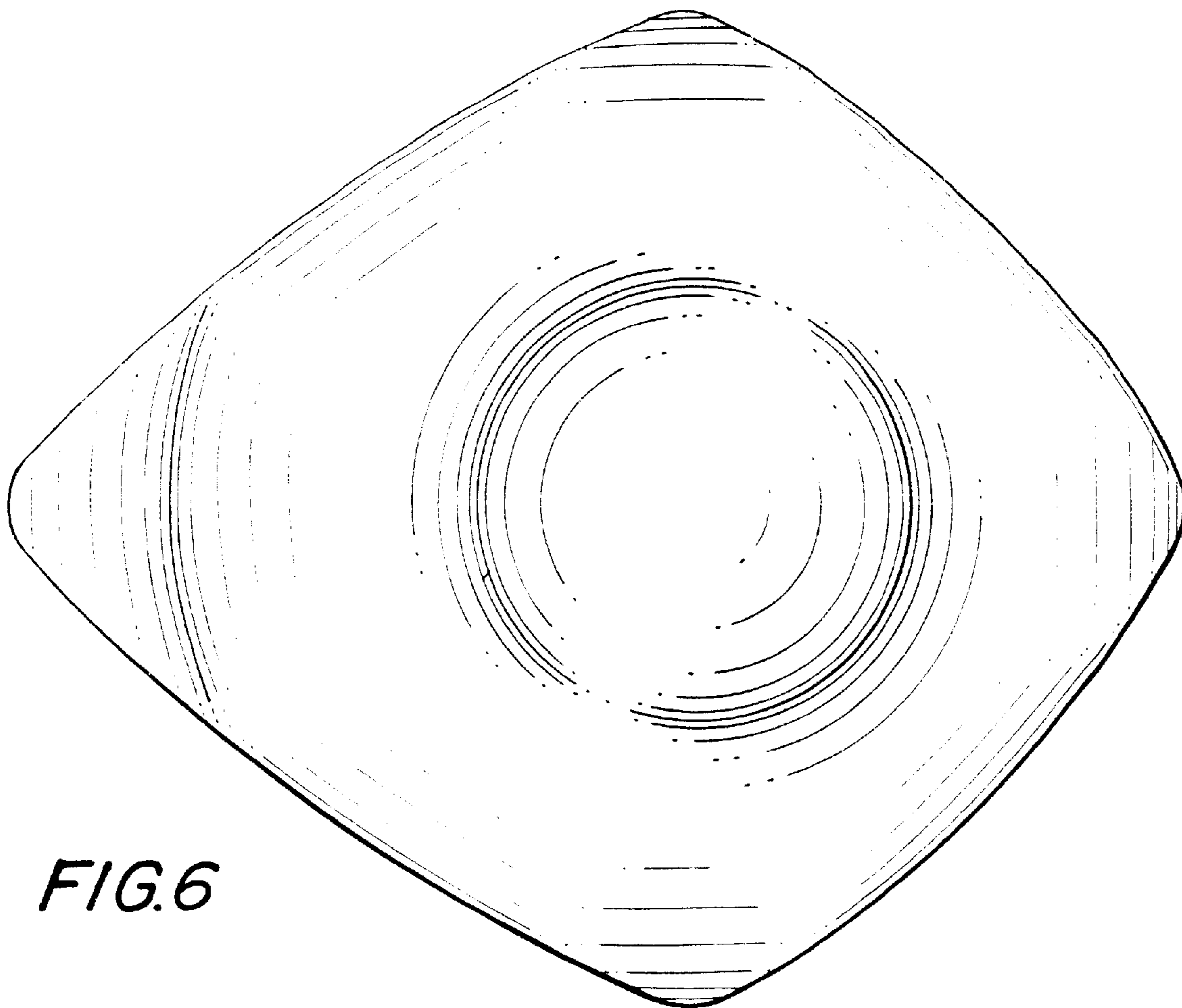


FIG. 6