



US00D532255S

(12) **United States Design Patent**
Sands

(10) **Patent No.:** **US D532,255 S**

(45) **Date of Patent:** **** Nov. 21, 2006**

- (54) **MUG**
- (75) **Inventor:** **Lenny Sands**, Los Angeles, CA (US)
- (73) **Assignee:** **Homeland Housewares, LLC**, Los Angeles, CA (US)
- (**) **Term:** **14 Years**
- (21) **Appl. No.:** **29/257,446**
- (22) **Filed:** **Apr. 3, 2006**

3,085,710 A	4/1963	McIlroy	
3,299,226 A *	1/1967	Edwards	200/16 C
3,315,946 A	4/1967	Nissman	
3,704,864 A	12/1972	Lee	
3,881,705 A	5/1975	Greenspan	
4,480,926 A	11/1984	Lattery, Jr. et al.	
4,487,509 A	12/1984	Boyce	
4,708,487 A	11/1987	Marshall	
4,889,248 A	12/1989	Bennett	
5,720,552 A	2/1998	Schindlegger	
D470,050 S	2/2003	Renz et al.	
D487,668 S *	3/2004	Sands	D7/378
6,817,750 B1 *	11/2004	Sands	366/205
2001/0036124 A1	11/2001	Rubenstein	

Related U.S. Application Data

- (60) Division of application No. 29/242,332, filed on Nov. 9, 2005, which is a division of application No. 29/216,603, filed on Nov. 5, 2004, now Pat. No. Des. 519,321, which is a division of application No. 29/205,079, filed on May 7, 2004, now Pat. No. Des. 500,633, and a continuation-in-part of application No. 29/202,701, filed on Apr. 2, 2004, now Pat. No. Des. 501,759.
- (51) **LOC (8) Cl.** **07-99**
- (52) **U.S. Cl.** **D7/413**; D7/396.2
- (58) **Field of Classification Search** D7/533, D7/536, 510, 511, 507, 509, 396.2, 413, 376, D7/377, 378, 412, 415; 366/199, 197, 251, 366/314, 205, 206, 130; 215/390, 387, 398; 241/282.2, 195, 301

See application file for complete search history.

(56) **References Cited**

U.S. PATENT DOCUMENTS

1,606,992 A *	11/1926	Gilchrist	366/197
2,299,730 A	10/1942	Bornstein	
3,064,949 A	11/1962	Dewenter	

OTHER PUBLICATIONS

<http://www.kissmixer.com/order/order1.htm>; Downloaded Oct. 27, 2004.

<http://www.kissmixer.com/feature/feature1.htm> (2 pages); Downloaded Oct. 28, 2004.

* cited by examiner

Primary Examiner—M. N. Pandozzi

(74) *Attorney, Agent, or Firm*—Cislo & Thomas, LLP

(57) **CLAIM**

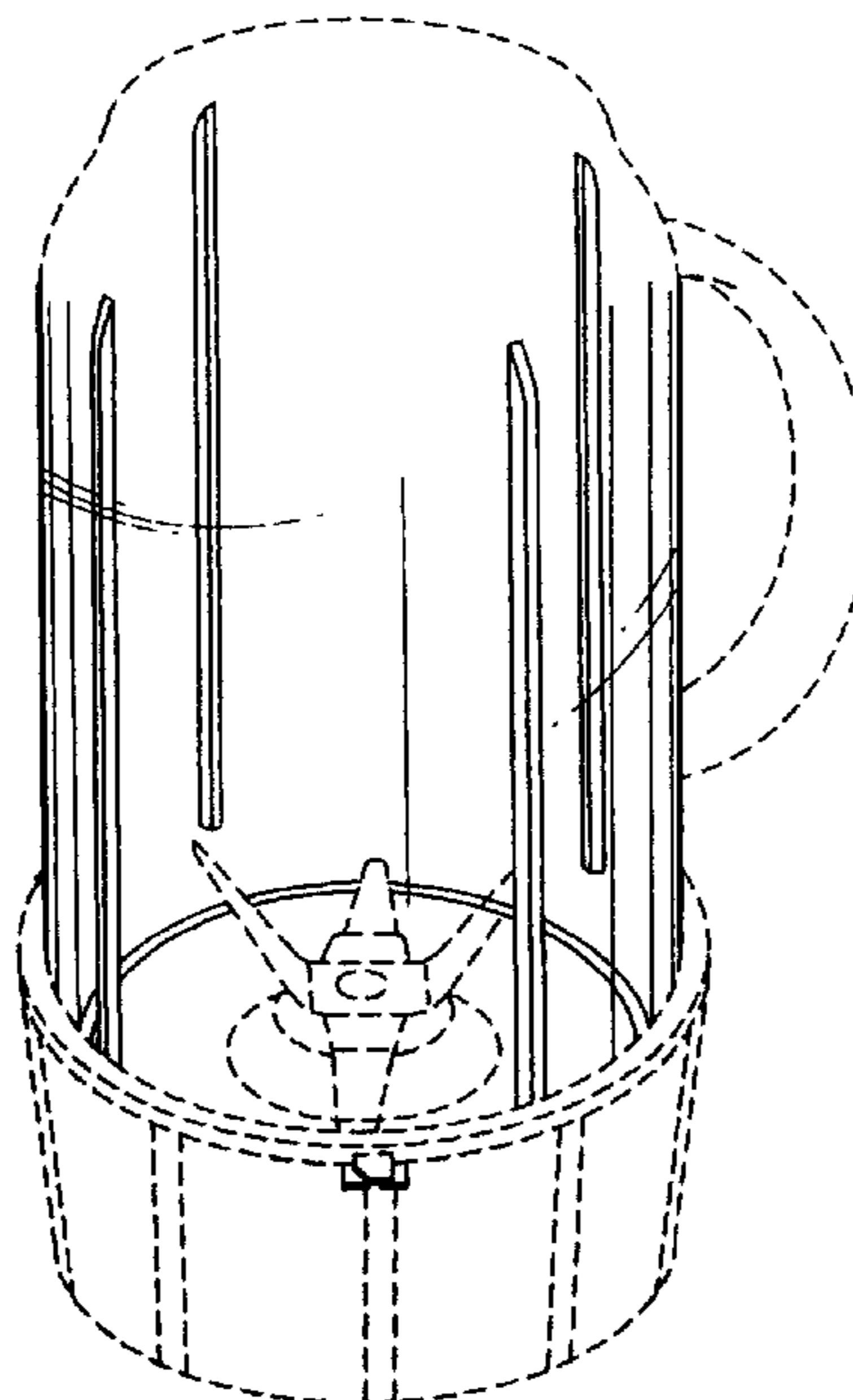
The ornamental design for a mug, as shown and described.

DESCRIPTION

FIG. 1 is a perspective view of a mug, in accordance with the present invention.

The broken line portions of the disclosure are included for illustrative purposes only and form no part of the claimed design.

1 Claim, 1 Drawing Sheet



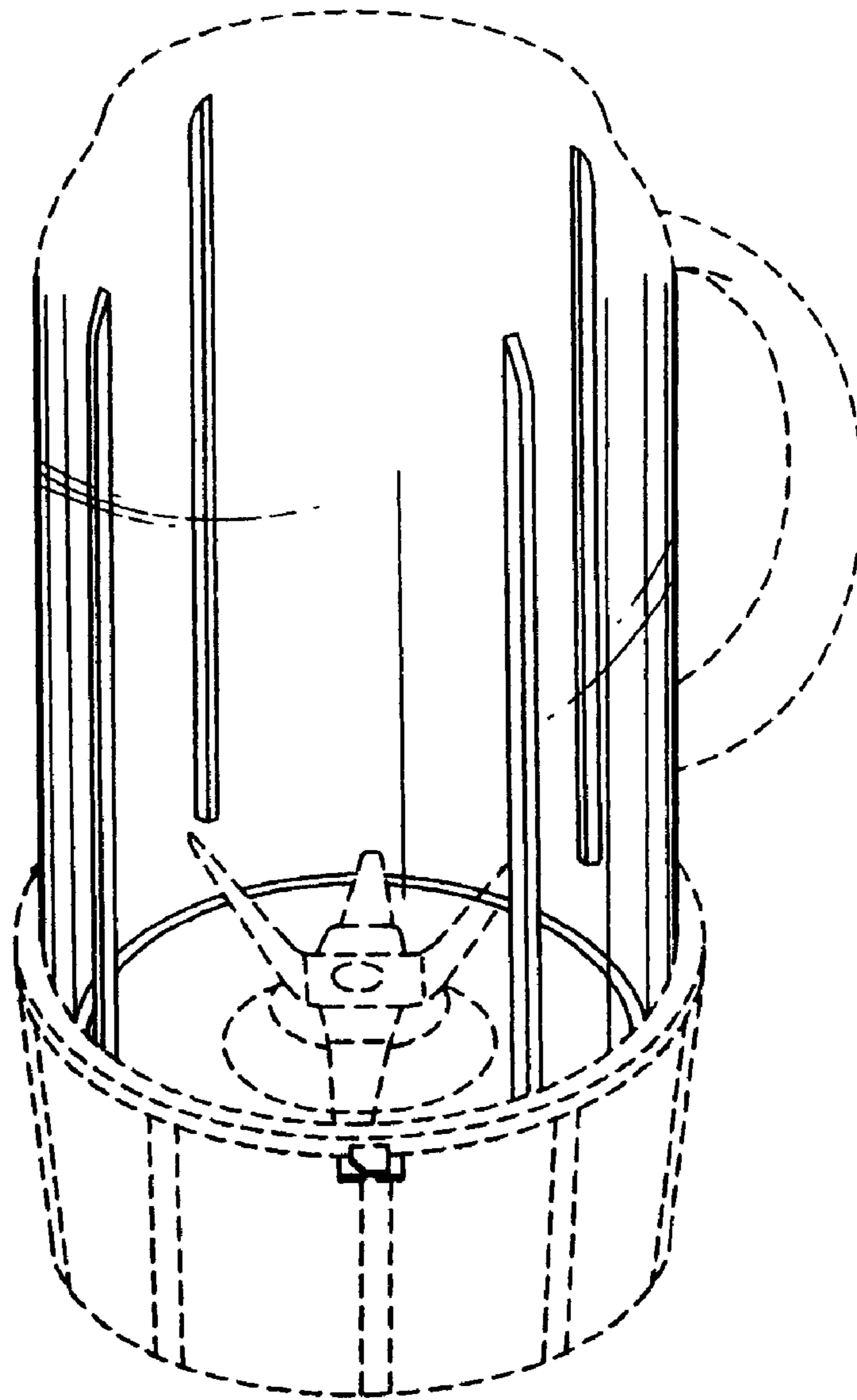


FIG. 1