



US00D532253S

(12) **United States Design Patent**
White

(10) **Patent No.:** **US D532,253 S**

(45) **Date of Patent:** **** Nov. 21, 2006**

(54) **MILKSHAKE CONTAINER LID**

(75) Inventor: **Martin White**, West Malling (GB)

(73) Assignee: **McGill Technology Limited**, Kent (GB)

(**) Term: **14 Years**

(21) Appl. No.: **29/231,459**

(22) Filed: **Jun. 6, 2005**

(30) **Foreign Application Priority Data**

Dec. 9, 2004 (EM) 000266366-002

(51) **LOC (8) Cl.** **07-02**

(52) **U.S. Cl.** **D7/392**

(58) **Field of Classification Search** D7/317-319,
D7/391-392.1, 396.2, 510-511, 629; D9/435,
D9/440, 444, 447, 449-450, 454, 503-504;
215/211, 200, 224, 243; 220/700, 701, 703,
220/711, 713-715, 719

See application file for complete search history.

(56) **References Cited**

U.S. PATENT DOCUMENTS

D260,492 S * 9/1981 Scott D9/452

D299,010 S * 12/1988 Wall D9/454
D377,293 S * 1/1997 Husted D7/510
5,624,053 A * 4/1997 Freek et al. 220/713
D386,685 S * 11/1997 Miller D9/449
D474,068 S * 5/2003 Fujii et al. D7/392.1

FOREIGN PATENT DOCUMENTS

KR 1996-0007233 8/1996

* cited by examiner

Primary Examiner—Holly Baynham

Assistant Examiner—Cynthia M. Chin

(74) *Attorney, Agent, or Firm*—Nixon & Vanderhye P.C.

(57) **CLAIM**

The ornamental design for a “milkshake container lid,” as shown and described.

DESCRIPTION

FIG. 1 is a top perspective view of the milkshake container lid of the present invention;

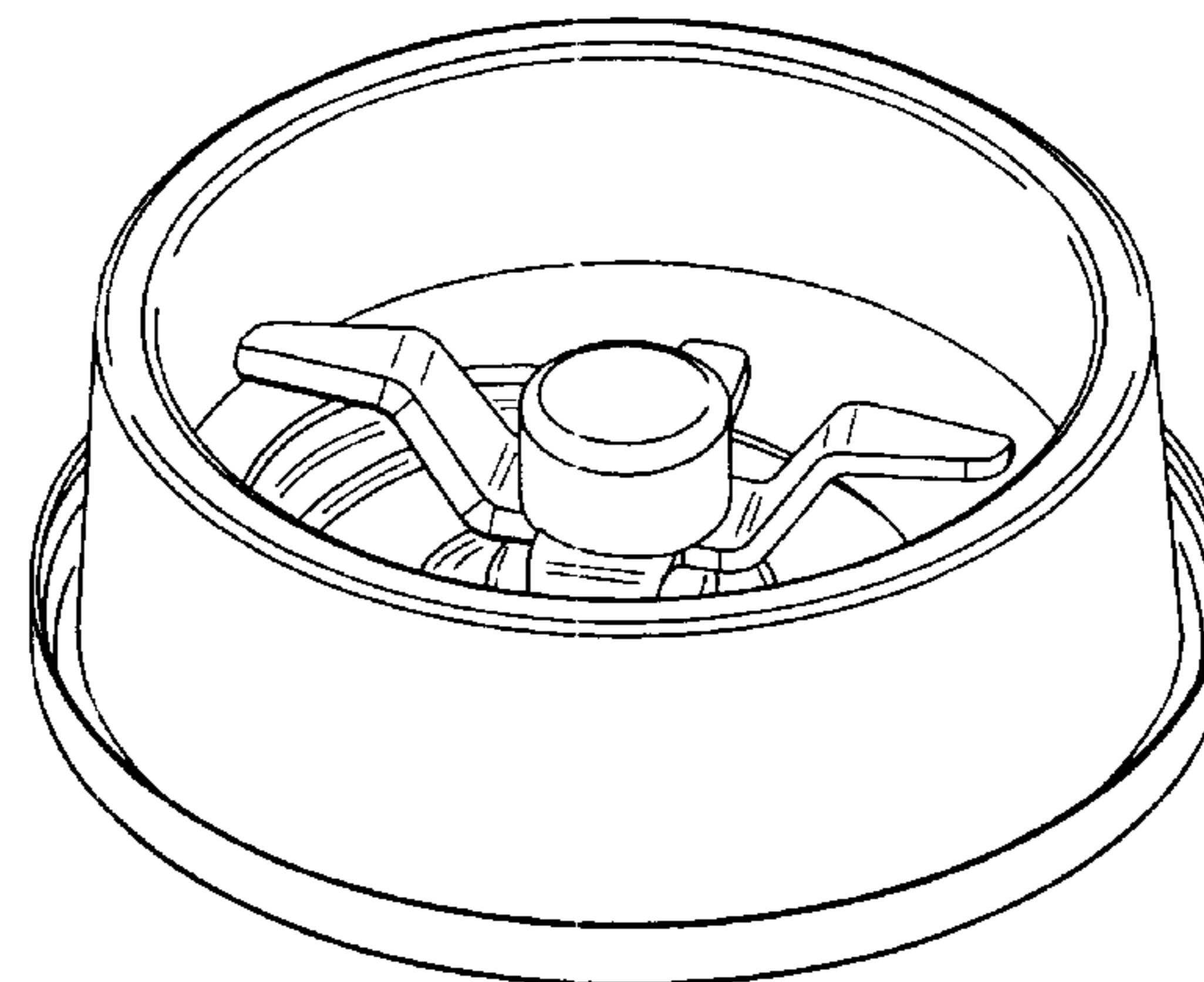
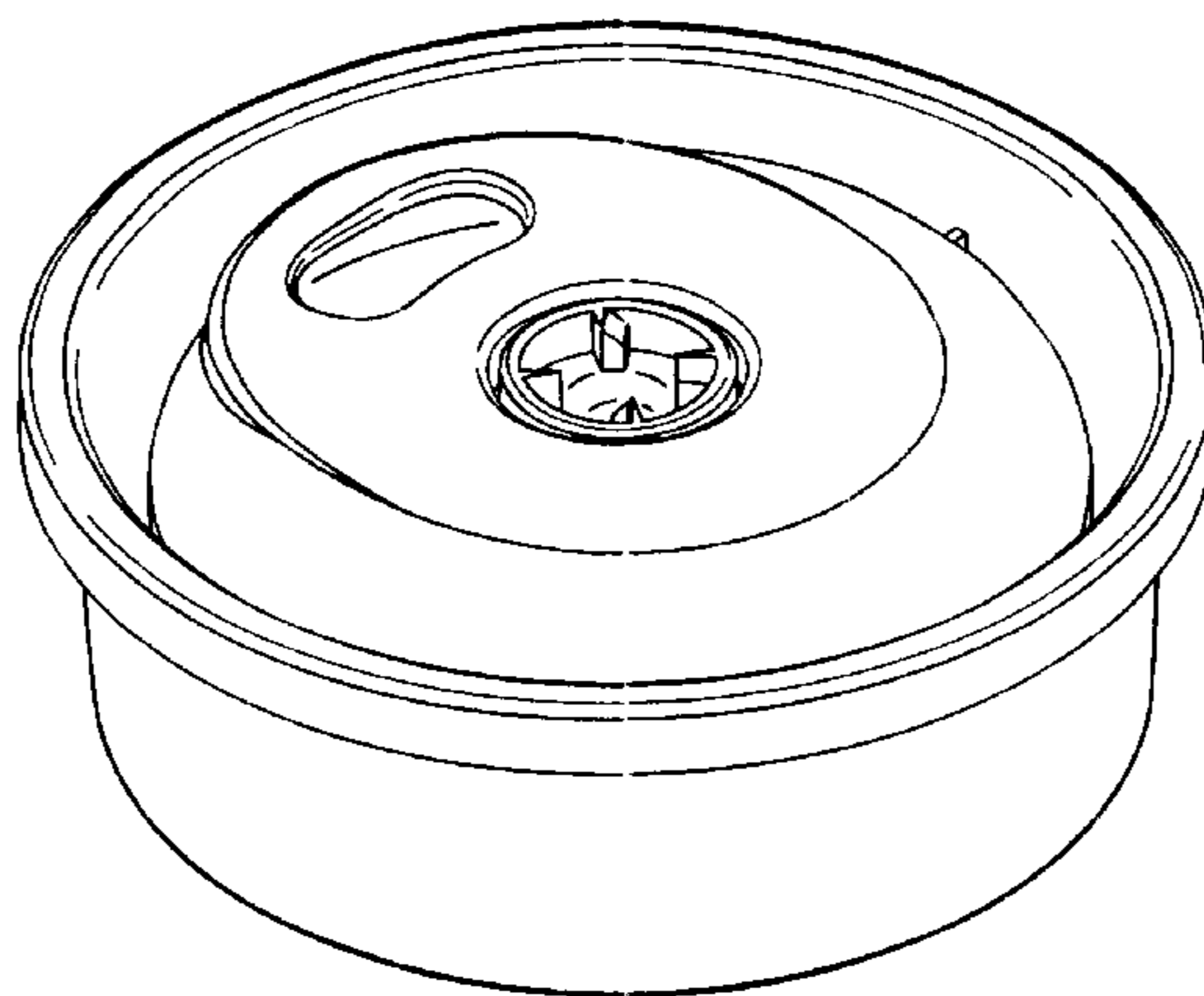
FIG. 2 is a bottom perspective view thereof;

FIG. 3 is a top view thereof;

FIG. 4 is a side view thereof; and,

FIG. 5 is a bottom view thereof.

1 Claim, 2 Drawing Sheets



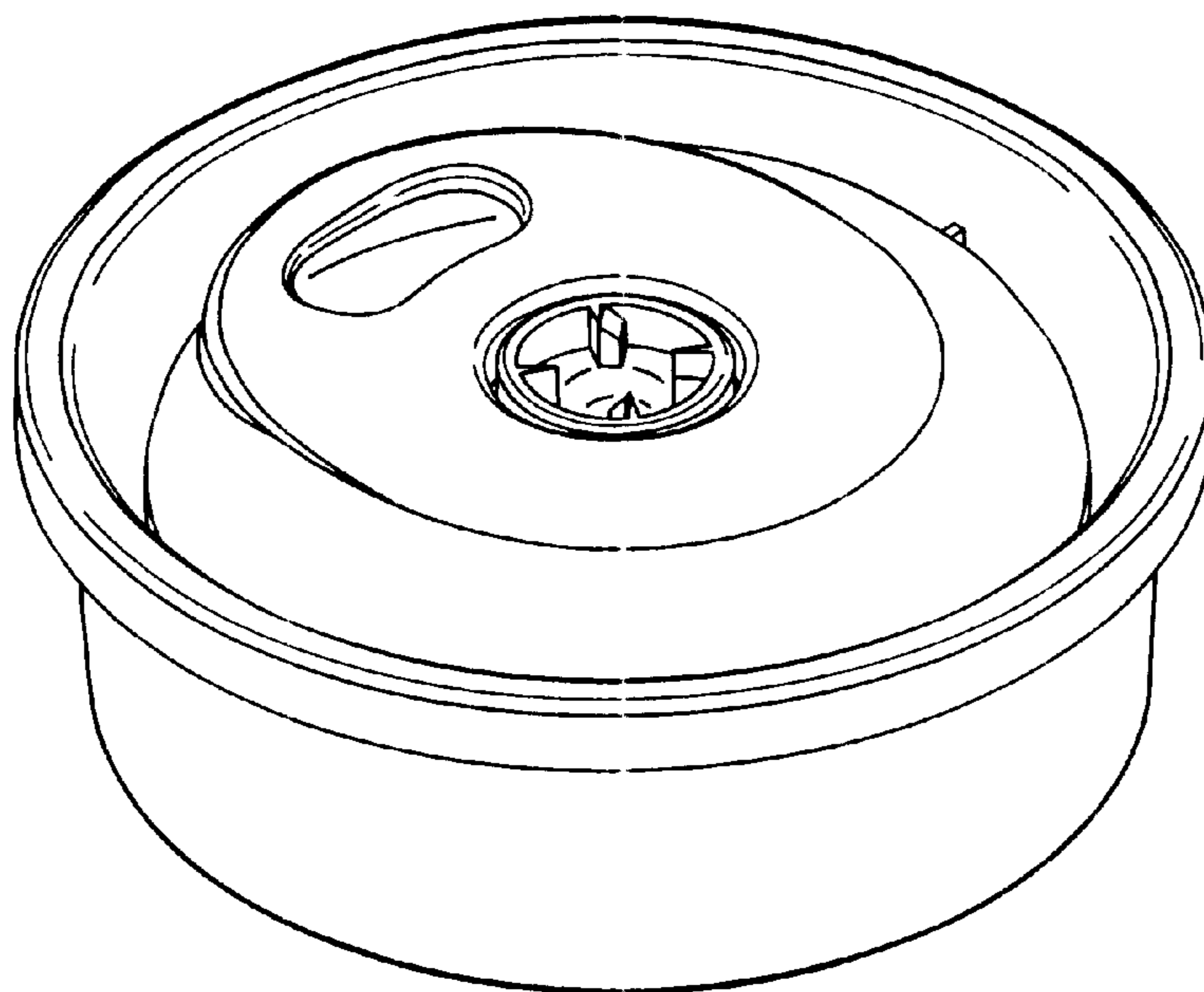


FIG. 1

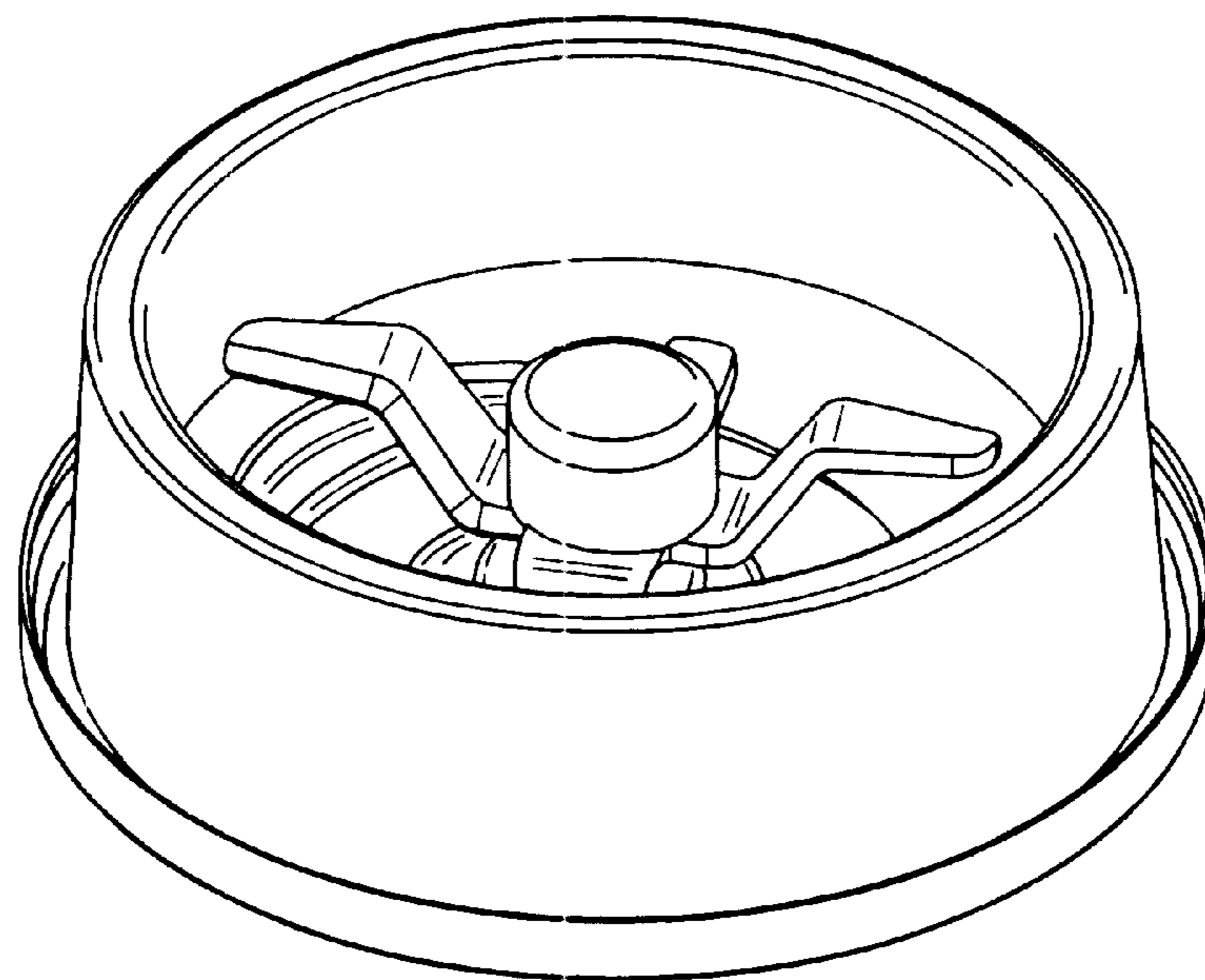


FIG. 2

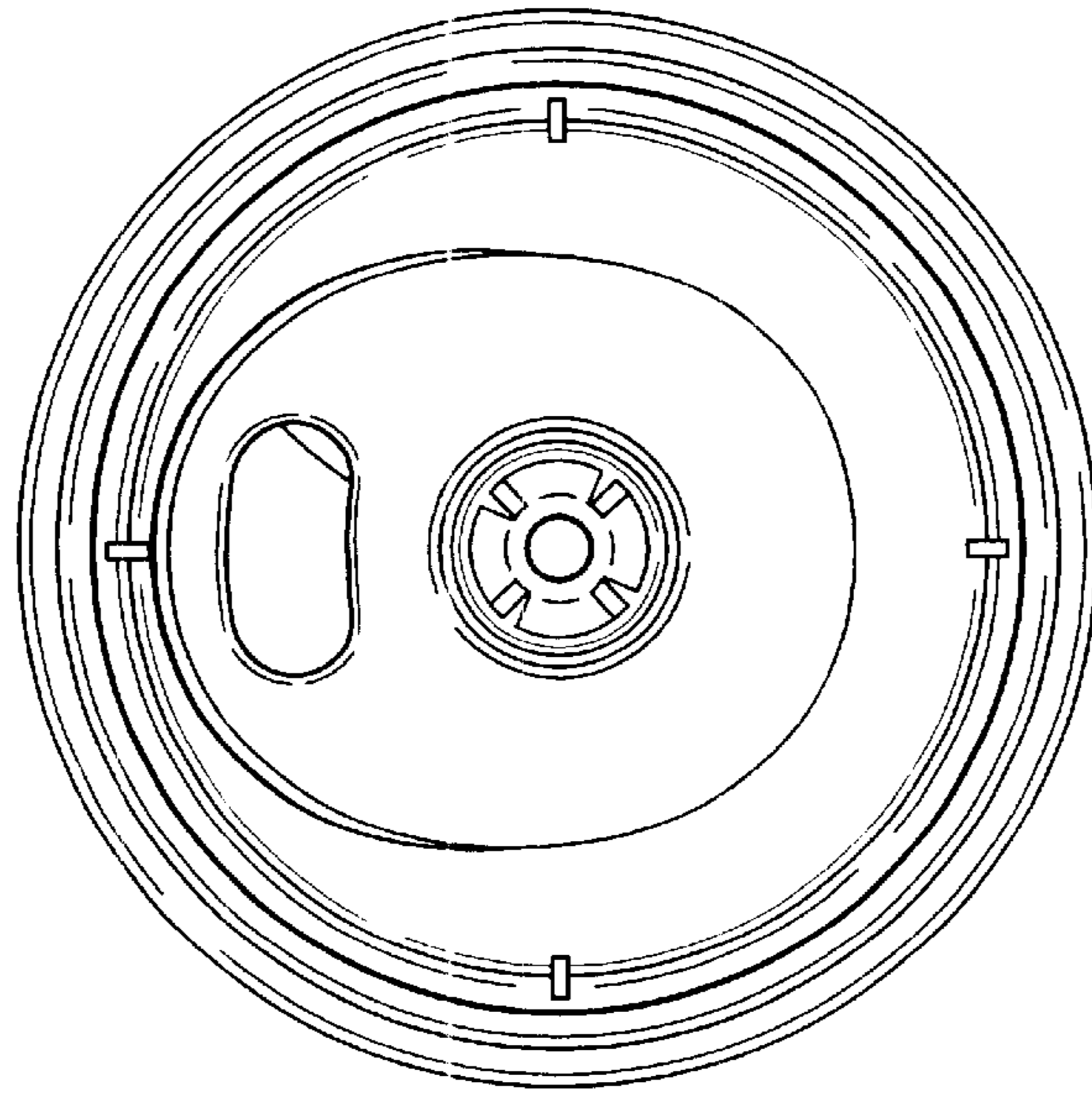


FIG. 3

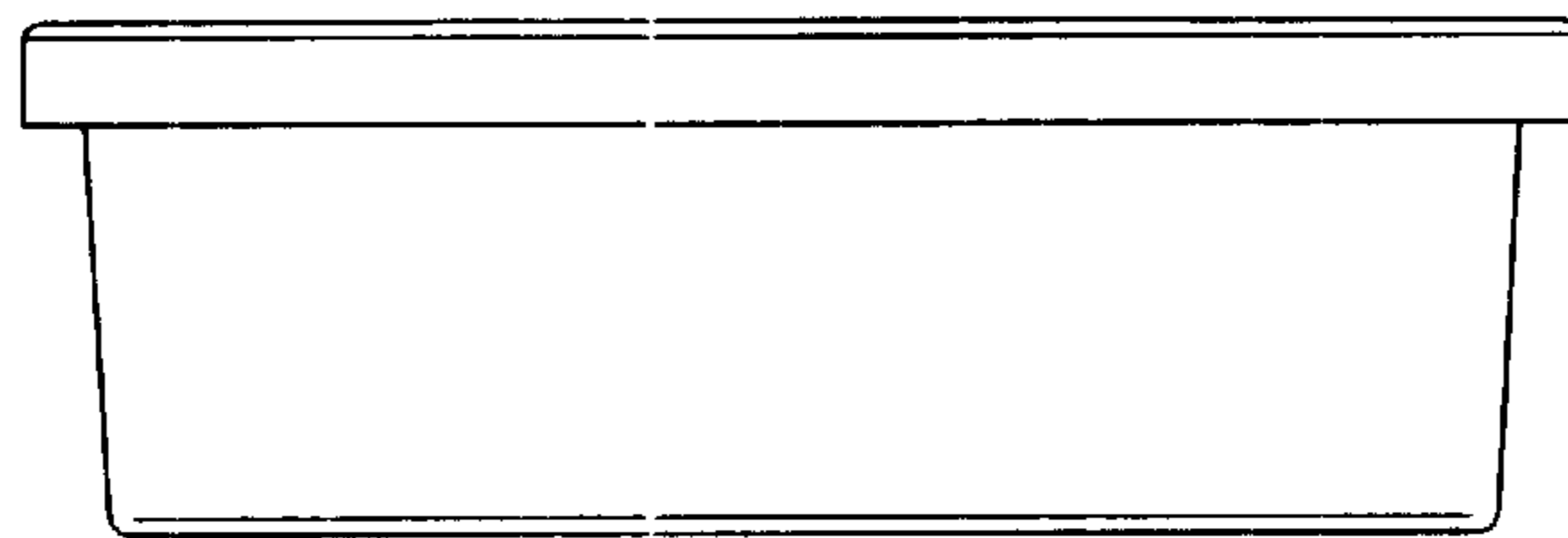


FIG. 4

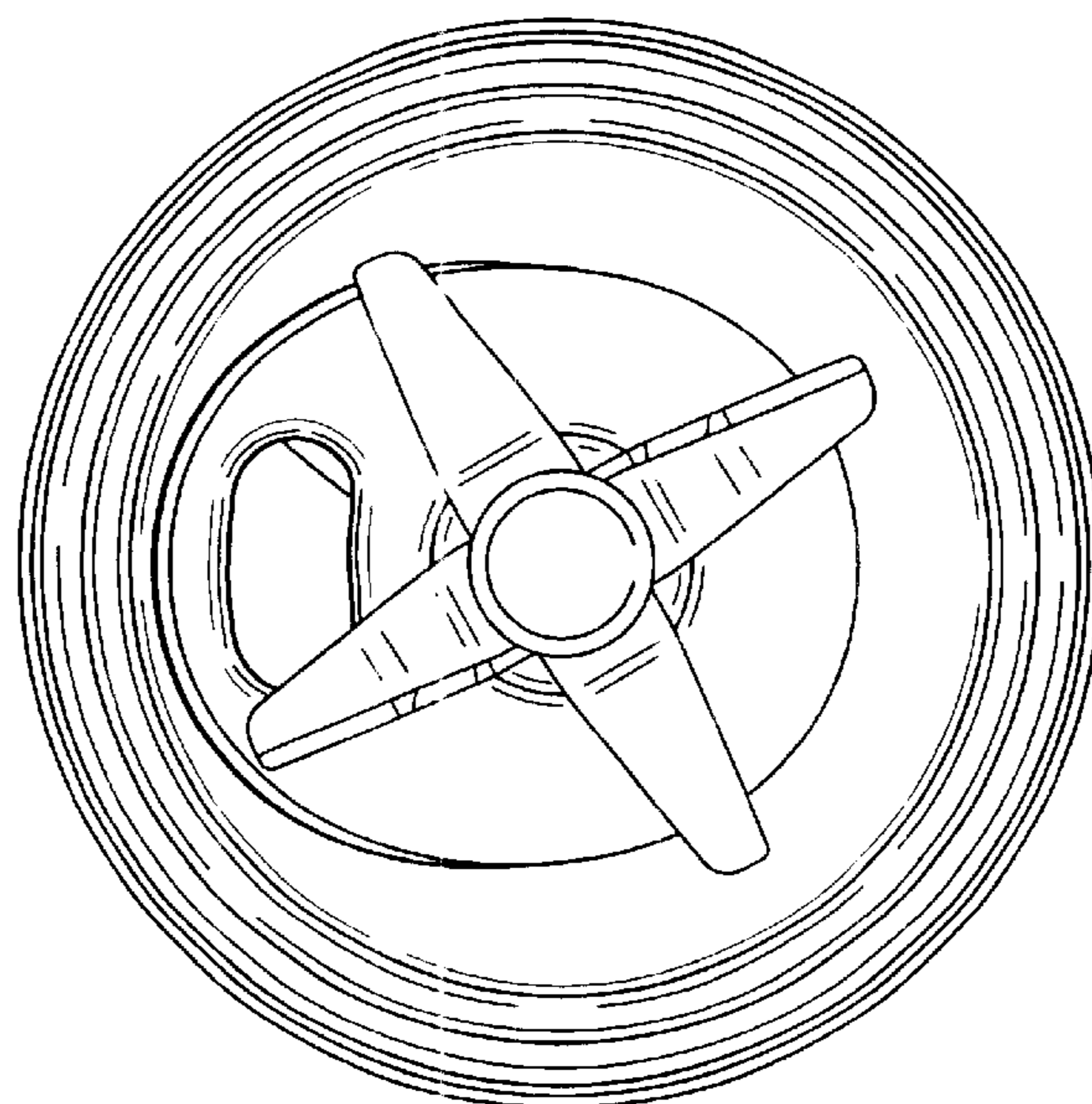


FIG. 5