



US00D532251S

(12) **United States Design Patent**
Kassenaar

(10) **Patent No.:** **US D532,251 S**

(45) **Date of Patent:** **** Nov. 21, 2006**

(54) **BLENDER**

(75) Inventor: **Anne Judith Kassenaar**, Cambridge,
MA (US)

(73) Assignee: **Conair Corporation**, Stamford, CT
(US)

(**) Term: **14 Years**

(21) Appl. No.: **29/251,778**

(22) Filed: **Jan. 12, 2006**

(51) **LOC (8) Cl.** **31-00**

(52) **U.S. Cl.** **D7/378**

(58) **Field of Classification Search** D7/376-386,
D7/412, 413, 665; 99/509-511; 241/30, 33,
241/37.5, 101.01-101.2, 166-169.1, 274-278.2,
241/282.1-282.2, 285.1-285.3, 291, 292.1,
241/301; 366/64-67, 98, 100, 129, 197-201,
366/205-207, 219-221, 241-254, 279-292,
366/325.94, 330.4, 341-343

See application file for complete search history.

(56) **References Cited**

U.S. PATENT DOCUMENTS

D337,240 S	*	7/1993	Levin	D7/386
D341,748 S	*	11/1993	Correa	D7/378
D341,749 S	*	11/1993	Correa	D7/386
D368,204 S	*	3/1996	Jonke	D7/386
D376,951 S	*	12/1996	Rorke	D7/386

D380,121 S	*	6/1997	Davidson et al.	D7/386
D385,149 S	*	10/1997	Feil	D7/378
D386,355 S	*	11/1997	Davidson et al.	D7/378
D389,696 S	*	1/1998	Feil	D7/386
D404,247 S	*	1/1999	Spagnolo	D7/378
D404,606 S	*	1/1999	Huang	D7/378
6,135,019 A	*	10/2000	Chou	99/513
D445,634 S	*	7/2001	Feil	D7/378

* cited by examiner

Primary Examiner—Cathron C. Brooks

Assistant Examiner—Ricky Pham

(74) *Attorney, Agent, or Firm*—Lawrence Cruz; Steven A. Garner

(57) **CLAIM**

The ornamental design for a blender, as shown and described.

DESCRIPTION

FIG. 1 is a perspective view of a blender showing my new design;

FIG. 2 is a front view thereof;

FIG. 3 is a right side view thereof;

FIG. 4 is a left side view thereof;

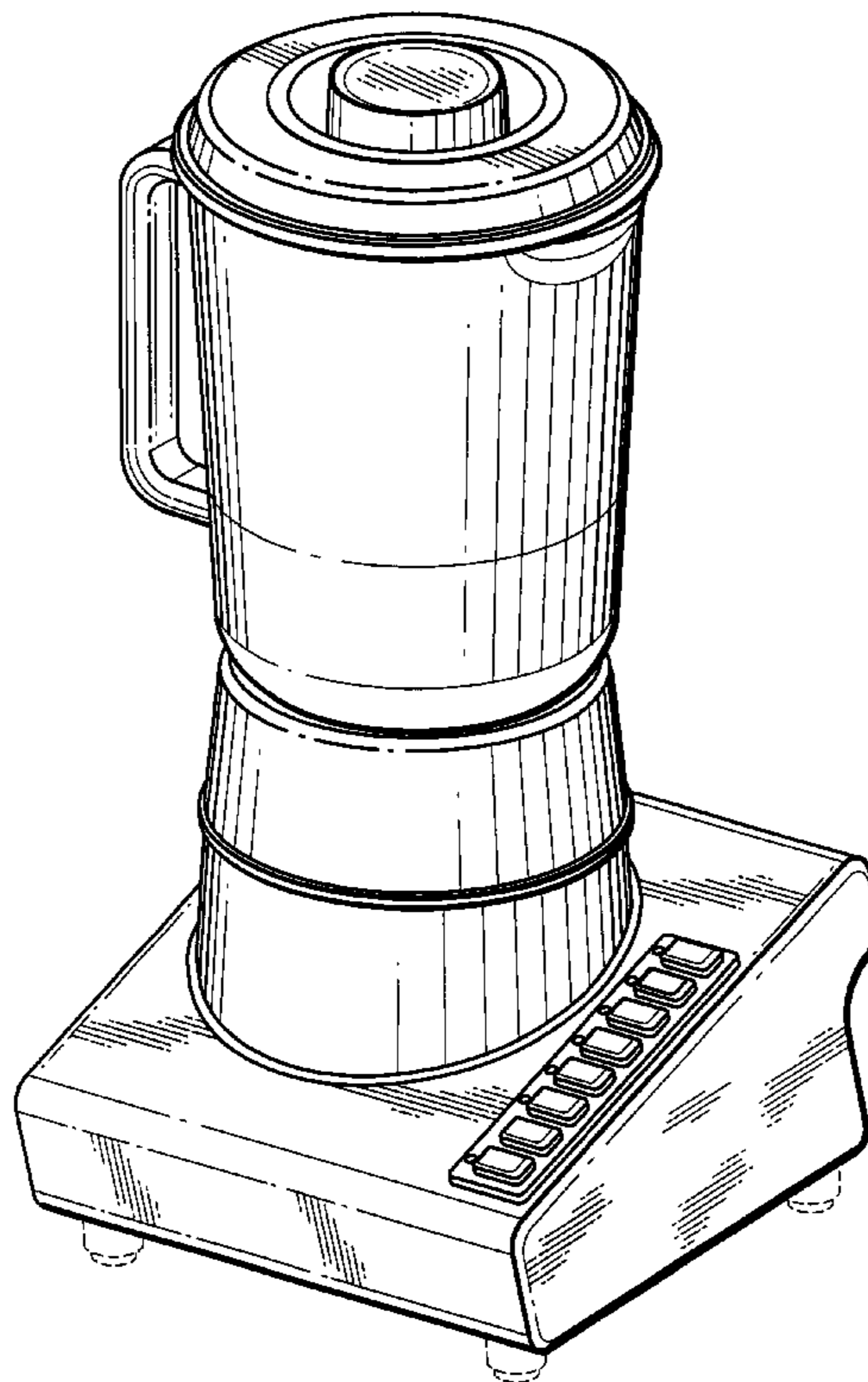
FIG. 5 is a rear view thereof;

FIG. 6 is a top view thereof; and,

FIG. 7 is a bottom view.

The broken lines are shown for illustrative purposes only and form no part of the claimed design.

1 Claim, 7 Drawing Sheets



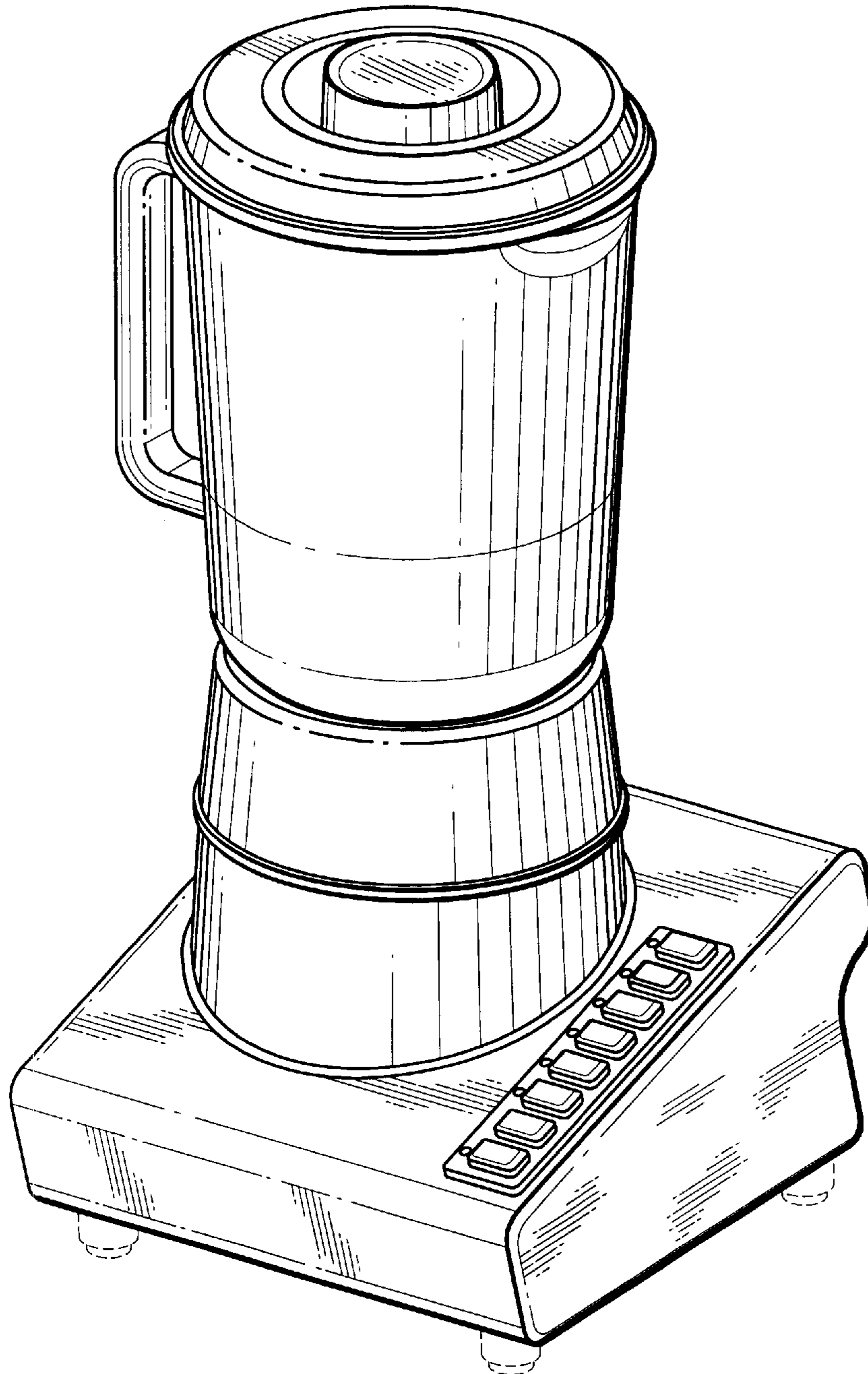


FIG. 1

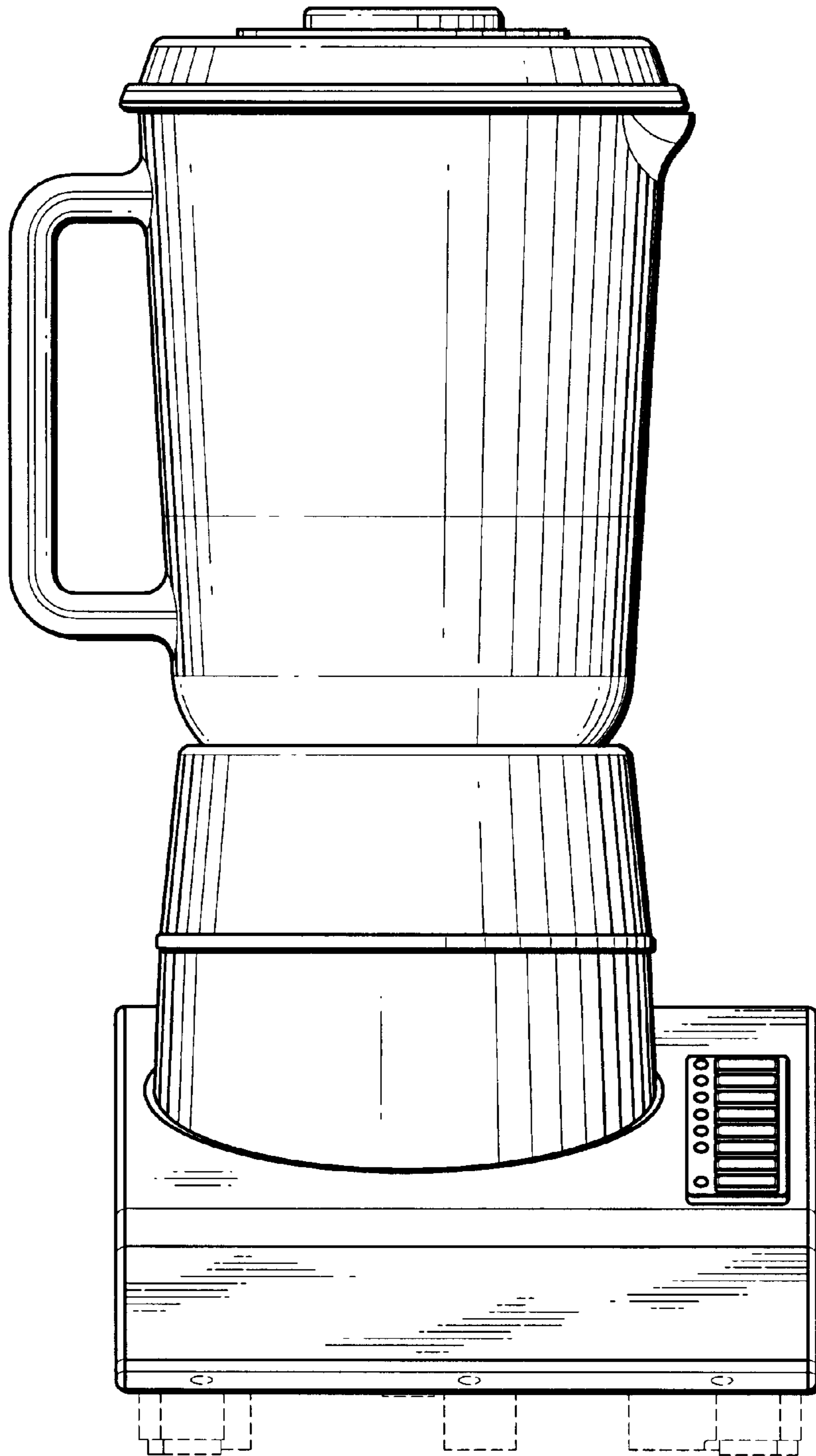


FIG. 2

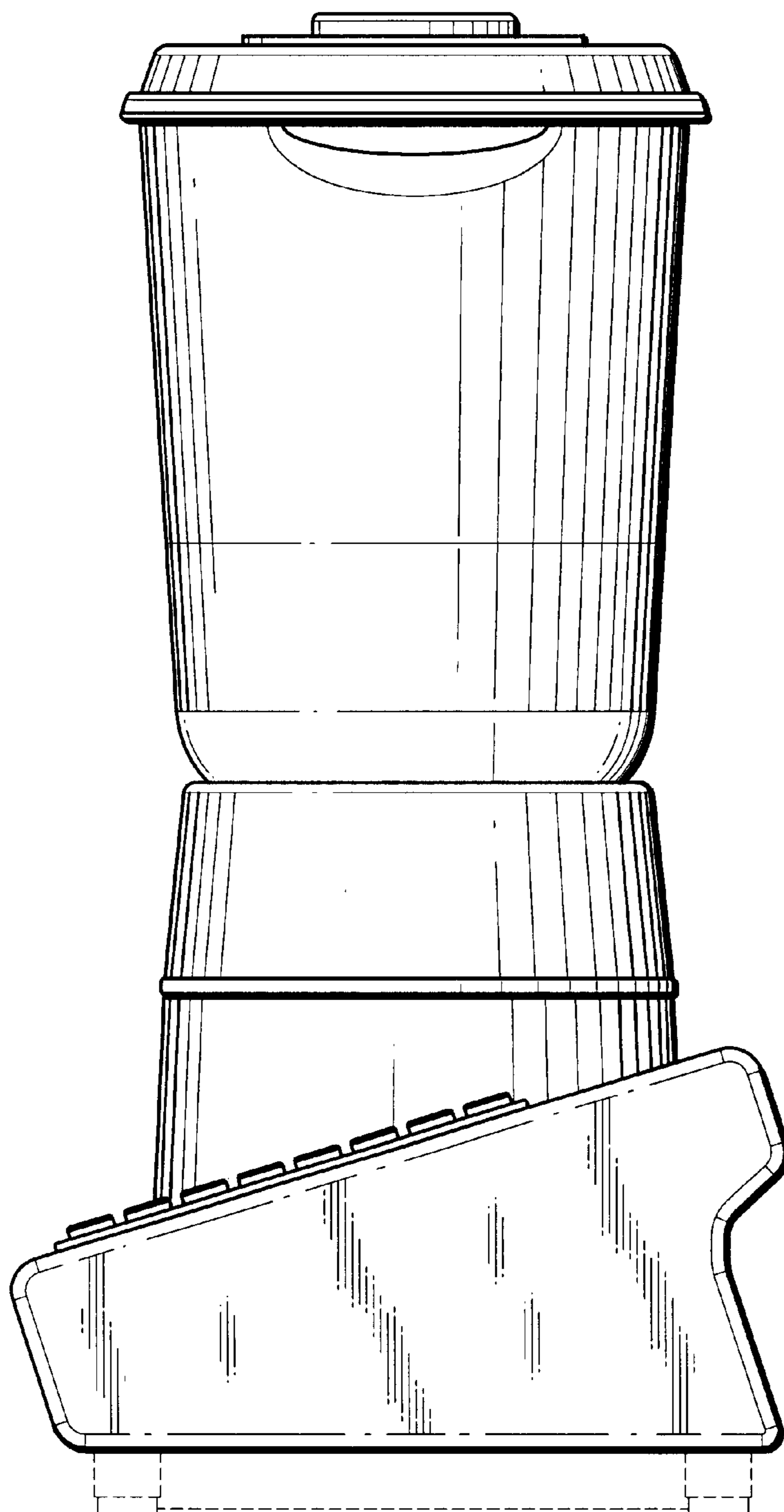


FIG. 3

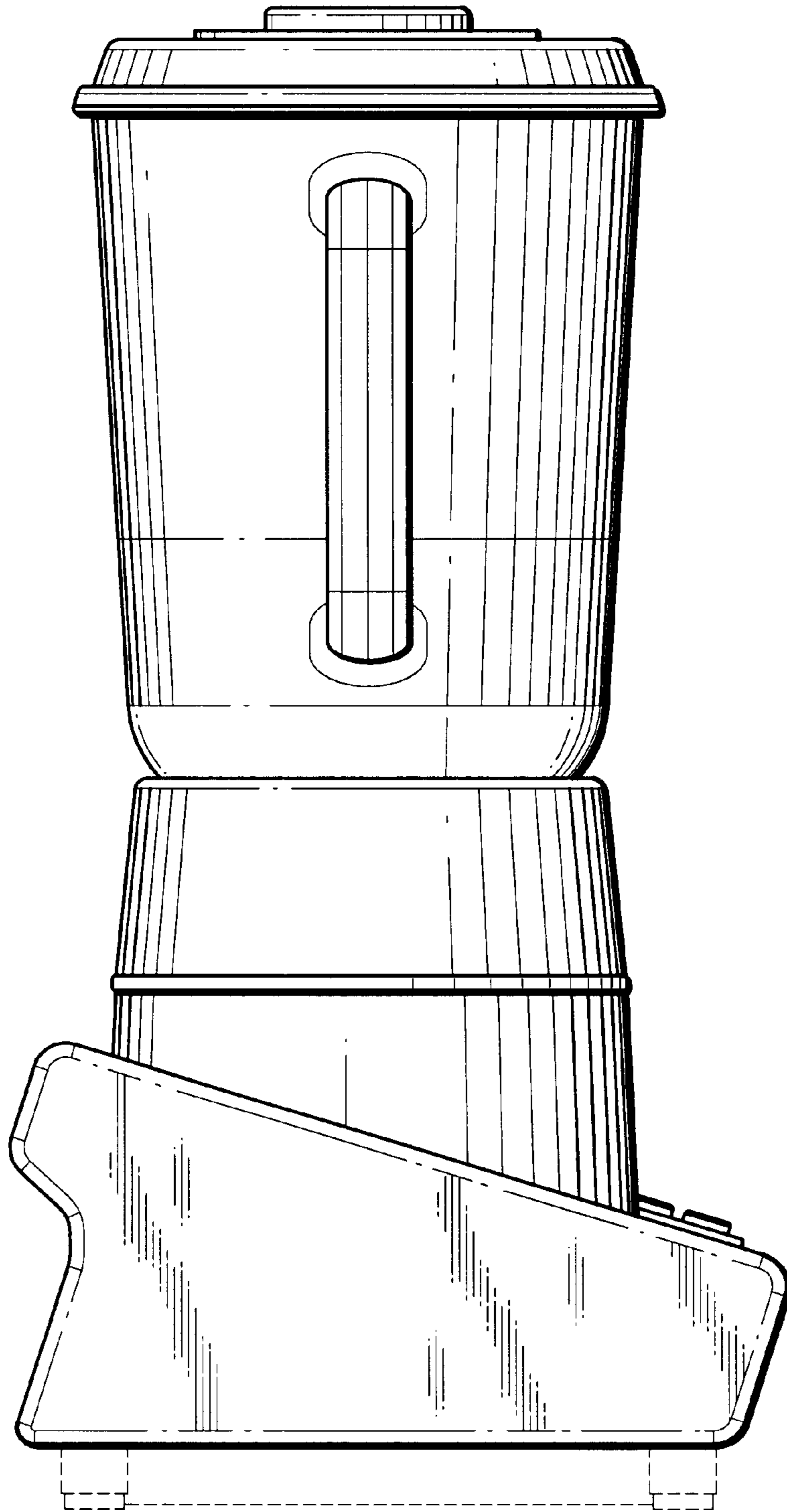


FIG. 4

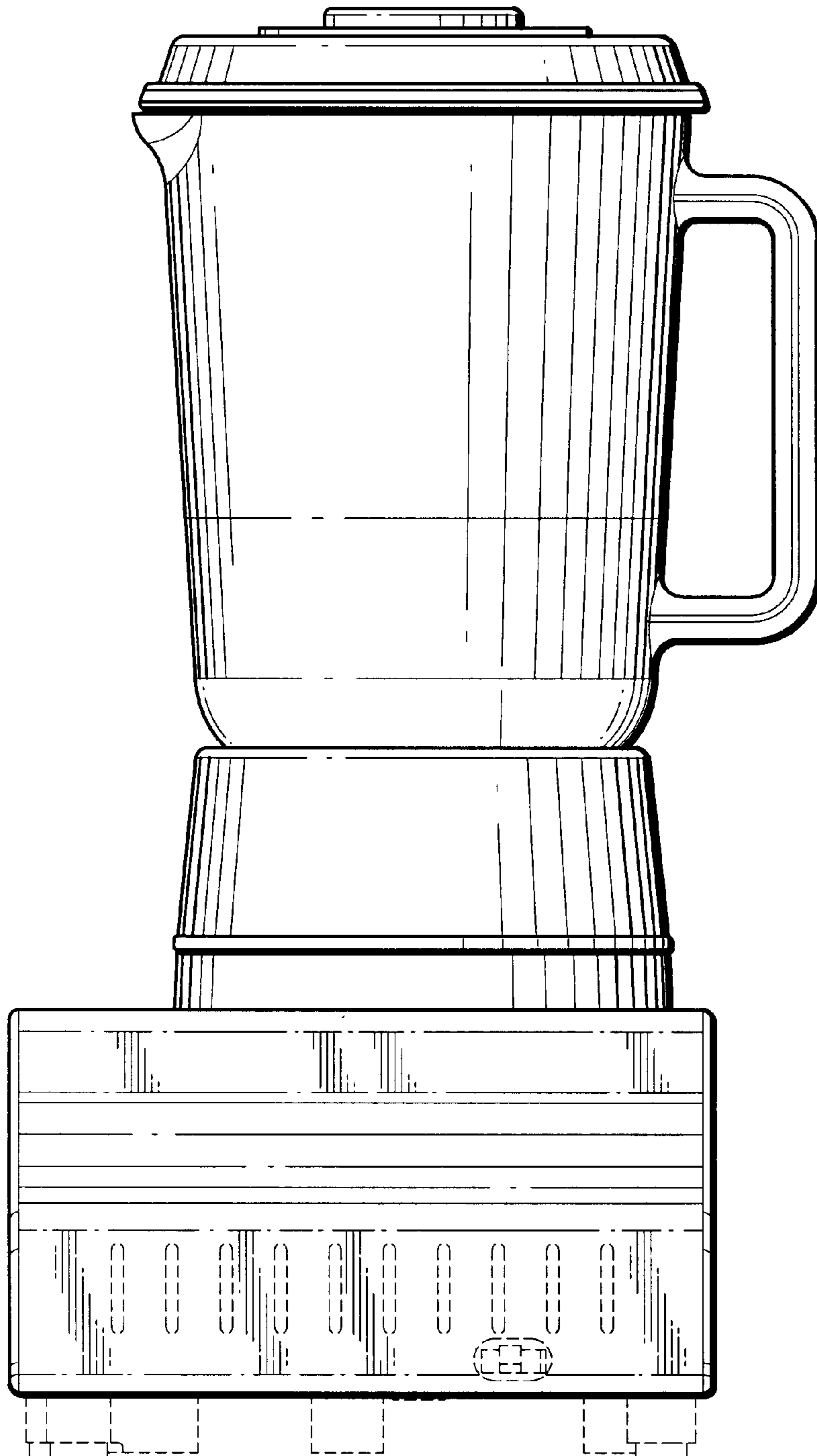


FIG. 5

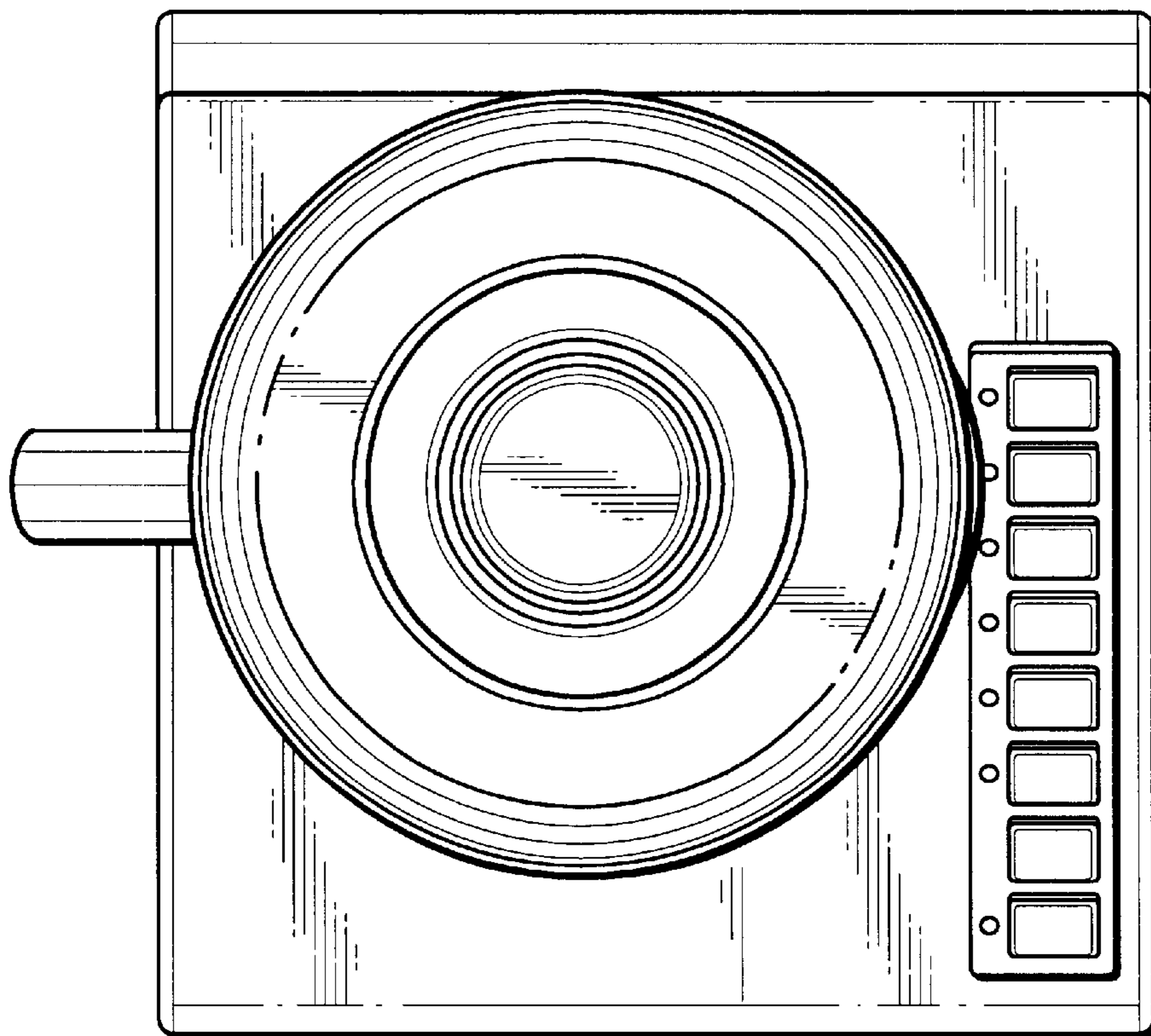


FIG. 6

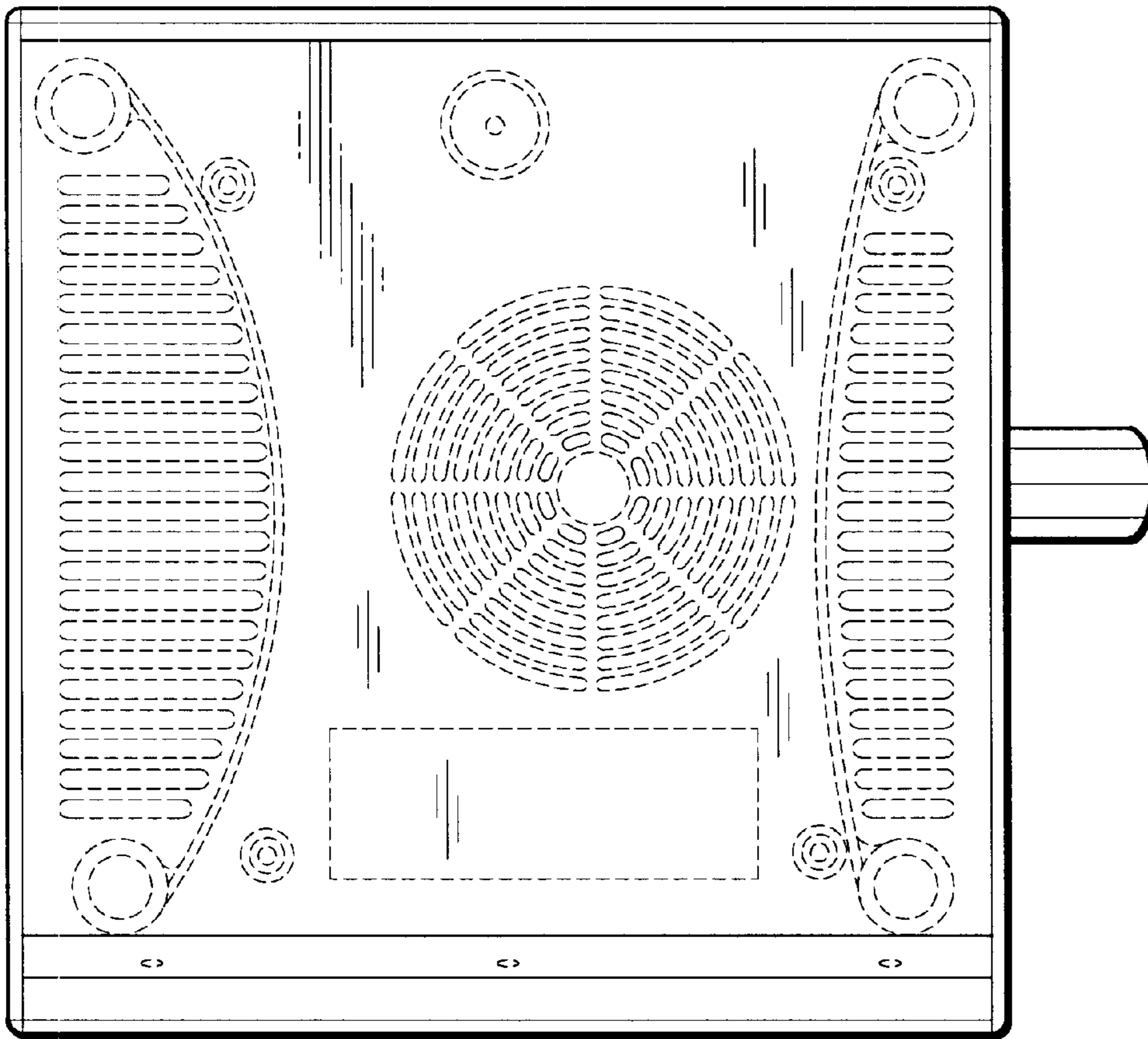


FIG. 7