

US00D532250S

(12) **United States Design Patent**
Roussard

(10) **Patent No.:** **US D532,250 S**

(45) **Date of Patent:** **** Nov. 21, 2006**

(54) **PRESSURE COOKER**

(75) Inventor: **Philippe Roussard**, Is-sur-Tille (FR)

(73) Assignee: **SEB**, Selongey (FR)

(**) Term: **14 Years**

(21) Appl. No.: **29/206,060**

(22) Filed: **May 26, 2004**

(30) **Foreign Application Priority Data**

Nov. 28, 2003 (FR) 03 5861

(51) **LOC (8) Cl.** **07-02**

(52) **U.S. Cl.** **D7/358**

(58) **Field of Classification Search** D7/323,
D7/354-361; 99/324, 325, 329 R, 330-339;
220/203.01, 203.07, 303, 573.1

See application file for complete search history.

(56) **References Cited**

U.S. PATENT DOCUMENTS

2,599,072	A	*	6/1952	Schweiso	220/316
D253,388	S	*	11/1979	Boldt et al.	D7/358
D256,759	S	*	9/1980	Johnson	D7/358
D303,064	S	*	8/1989	Vasudeva	D7/358
D329,570	S	*	9/1992	Gerlach	D7/360
D347,963	S	*	6/1994	Pretzsch	D7/360
5,370,259	A	*	12/1994	Cartigny	220/316
D365,494	S	*	12/1995	Roussard	D7/358
D370,381	S	*	6/1996	Roussard	D7/358
D384,547	S	*	10/1997	Roussard et al.	D7/358
D413,483	S	*	9/1999	Roussard	D7/358
6,105,810	A	*	8/2000	Daenen et al.	220/366.1

D448,965	S	*	10/2001	Jang-Won	D7/360
D448,972	S	*	10/2001	Knorr	D7/393
D452,631	S	*	1/2002	Knorr	D7/395
D463,201	S	*	9/2002	Mendelson et al.	D7/358
6,450,361	B1	*	9/2002	Mendelson et al.	220/573.1
D465,126	S	*	11/2002	Mendelson et al.	D7/358
6,523,459	B1	*	2/2003	Chameroy et al.	99/337
D476,191	S	*	6/2003	Josancy	D7/358
D486,352	S	*	2/2004	Park	D7/358

FOREIGN PATENT DOCUMENTS

GB	3004750	*	6/2002
WO	DM/062306	*	12/2002

* cited by examiner

Primary Examiner—Cathron C. Brooks

Assistant Examiner—Ricky Pham

(74) *Attorney, Agent, or Firm*—Browdy and Neimark, PLLC

(57) **CLAIM**

The ornamental design for a pressure cooker, as shown.

DESCRIPTION

FIG. 1 is front view of a pressure cooker in accordance with the present design;

FIG. 2 is a rear view thereof;

FIG. 3 is a side view thereof;

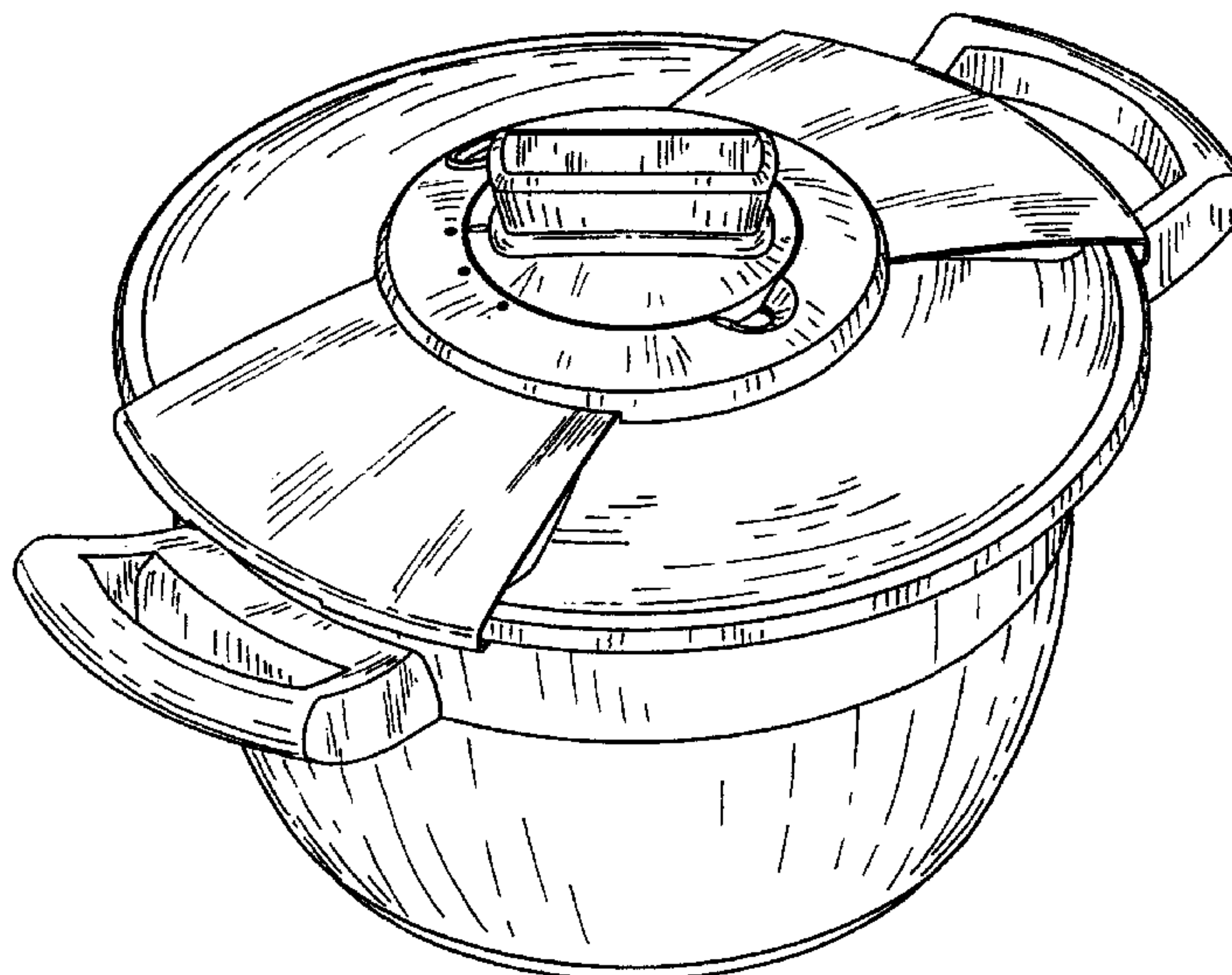
FIG. 4 is a side view thereof of the side opposite to that of FIG. 3;

FIG. 5 is top plan view thereof;

FIG. 6 is a bottom plan view thereof; and,

FIG. 7 is a perspective view thereof.

1 Claim, 7 Drawing Sheets



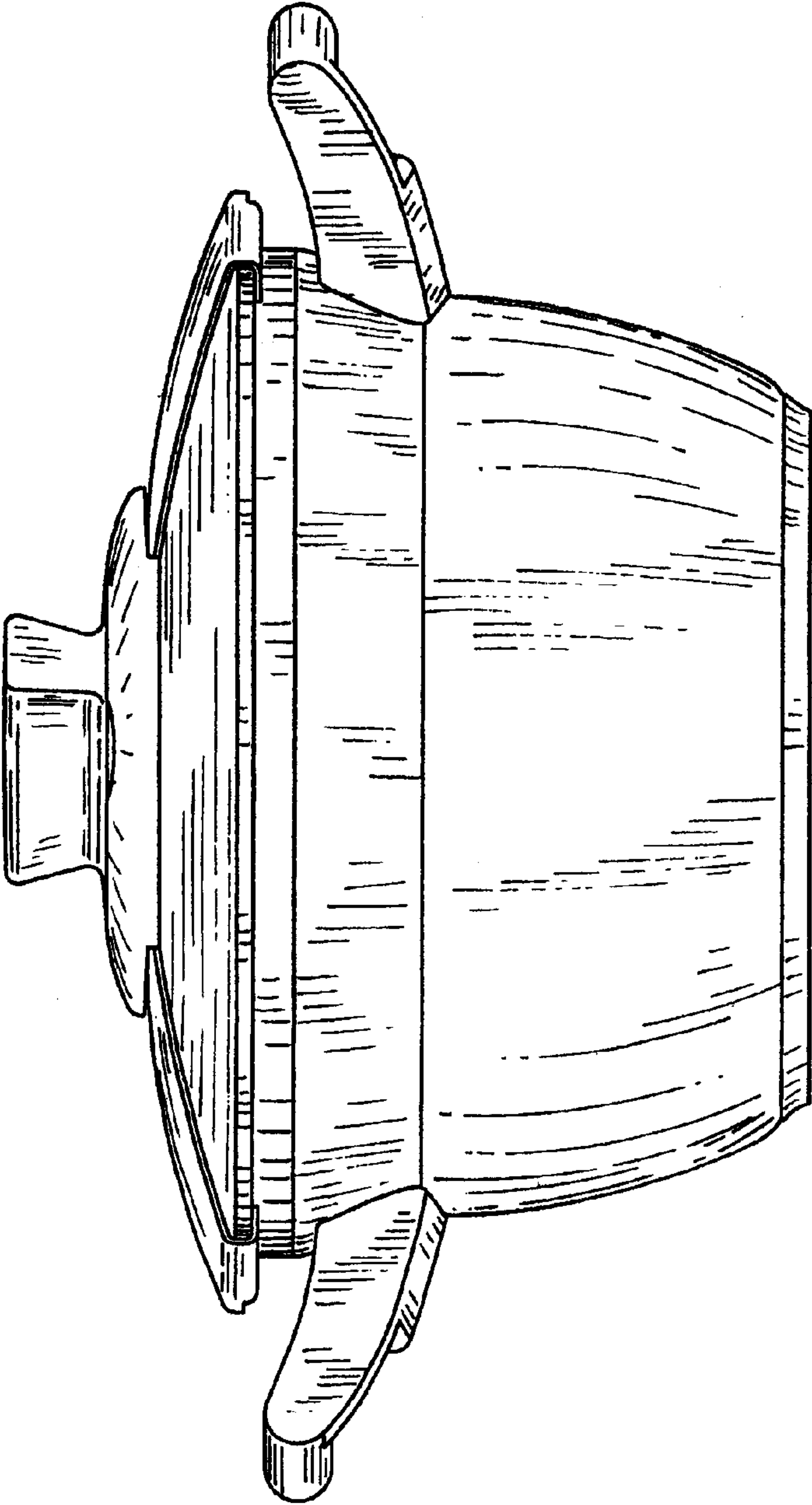


FIG. 1

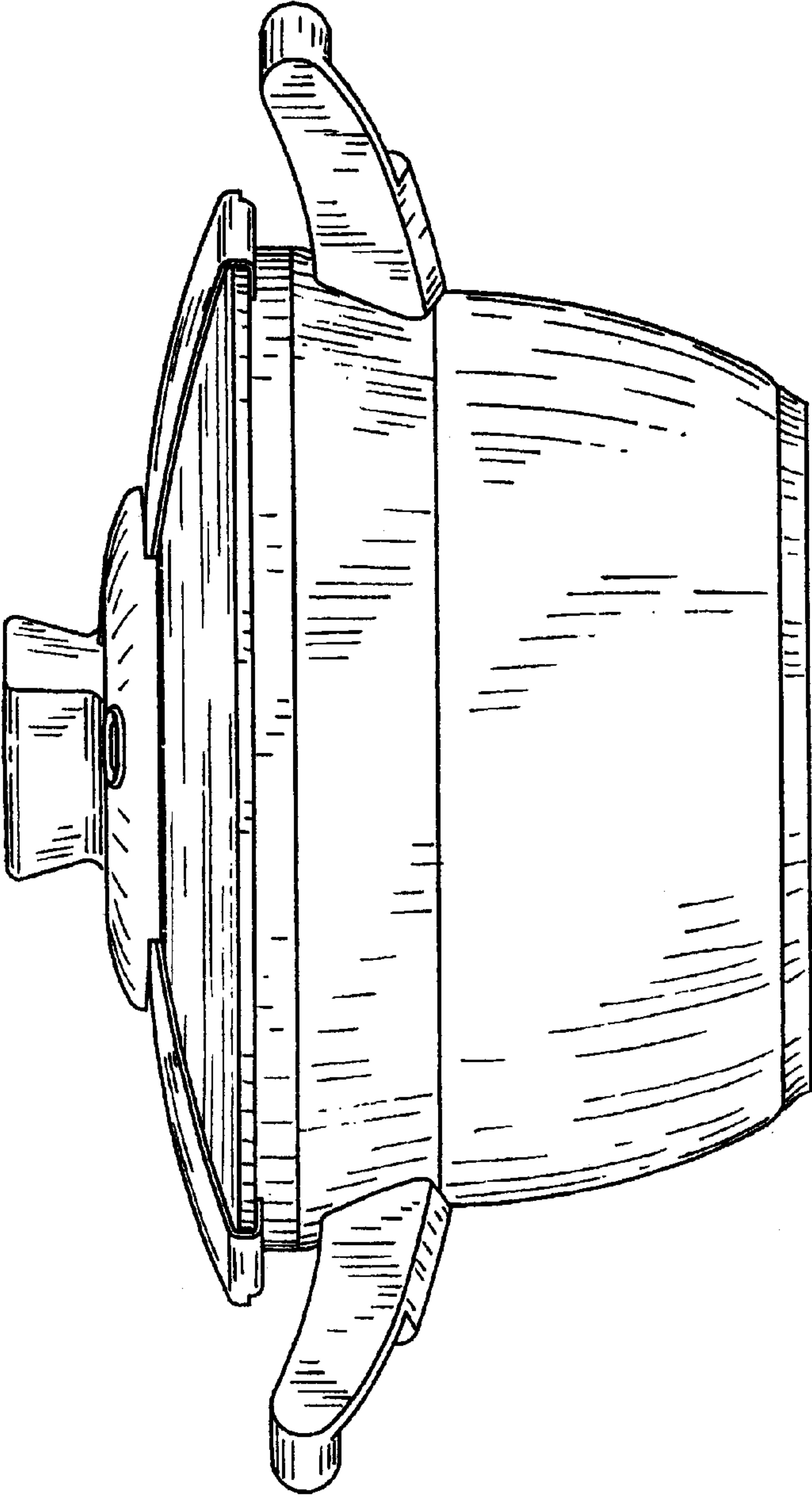


FIG. 2

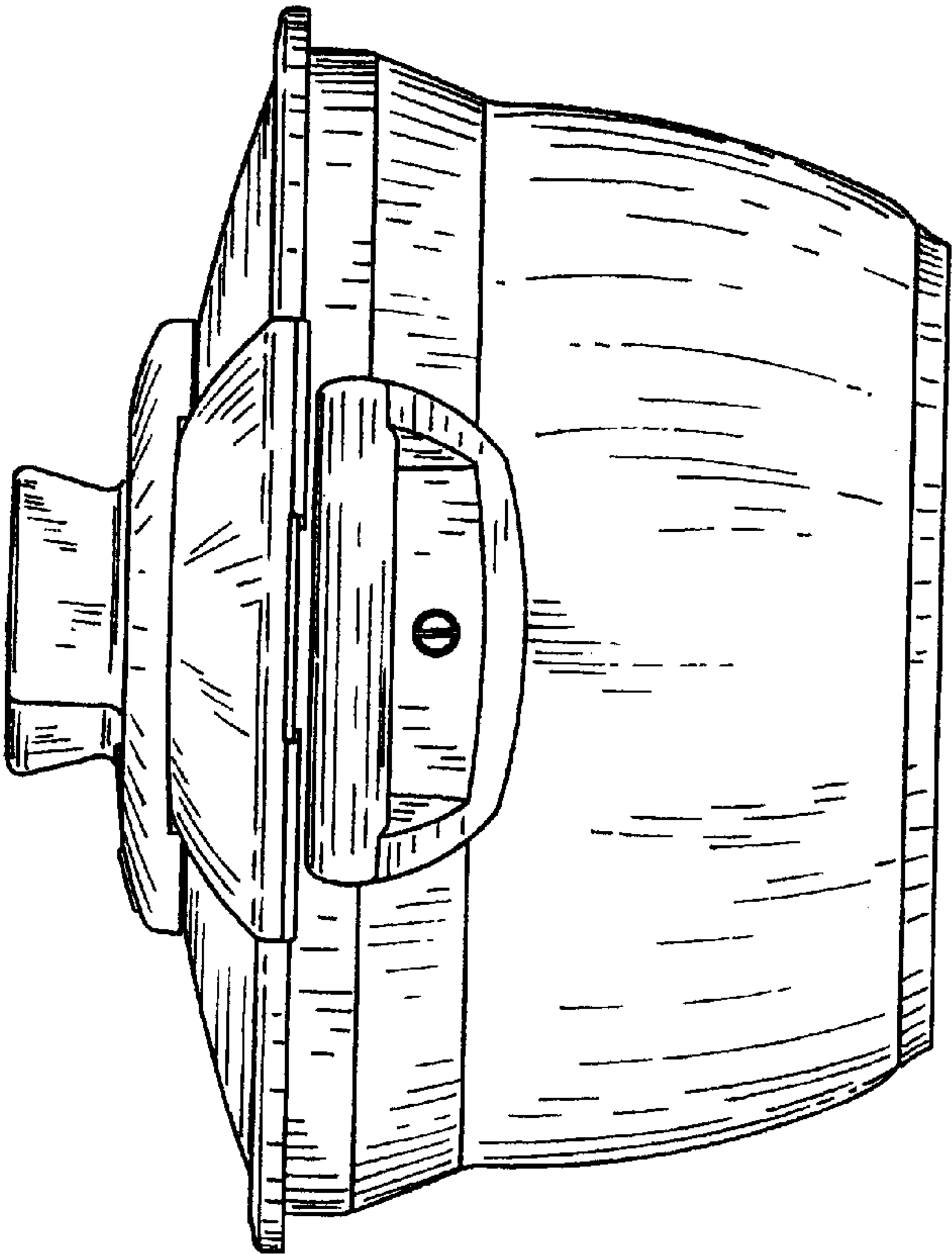


FIG. 3

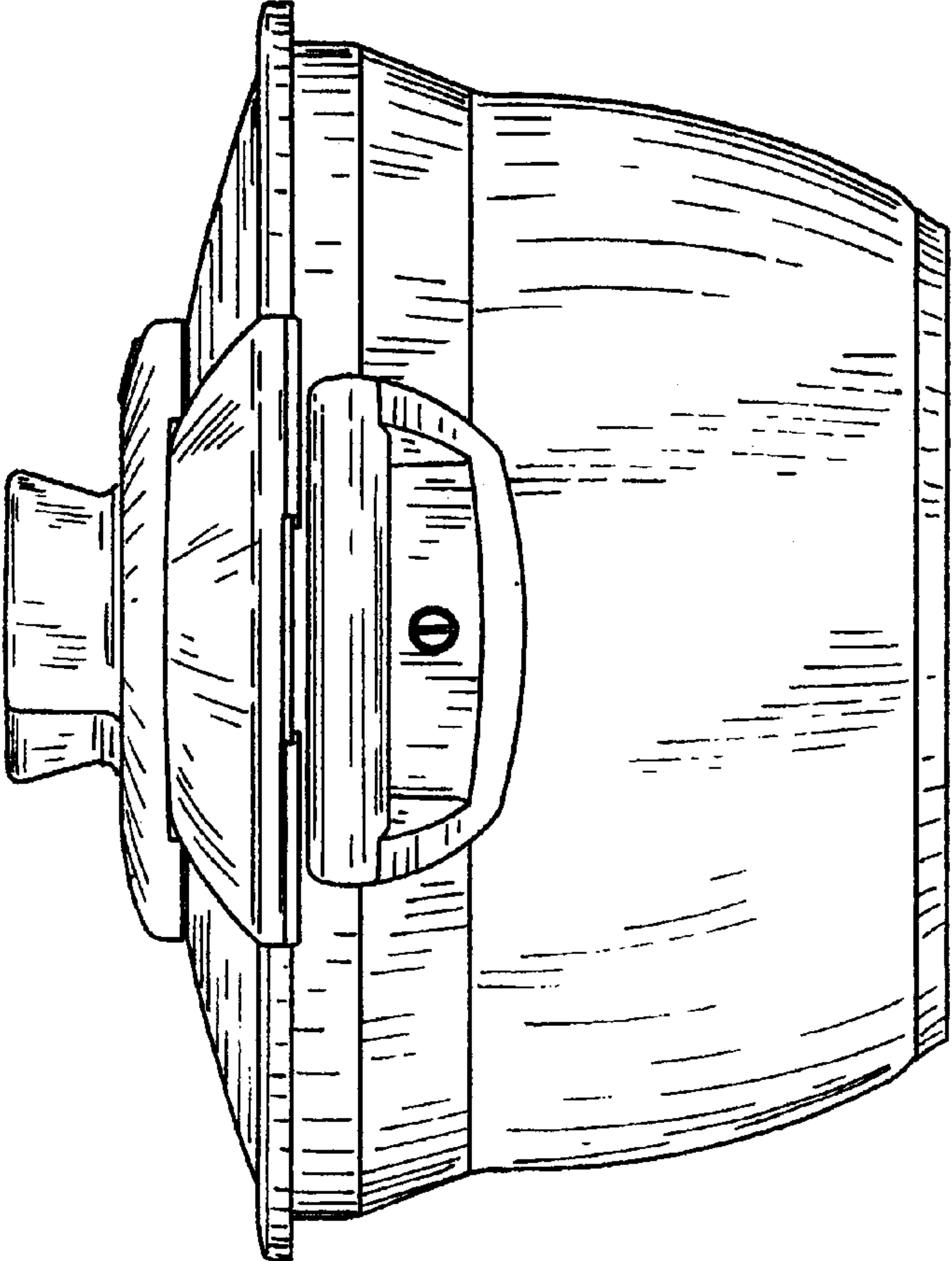


FIG. 4

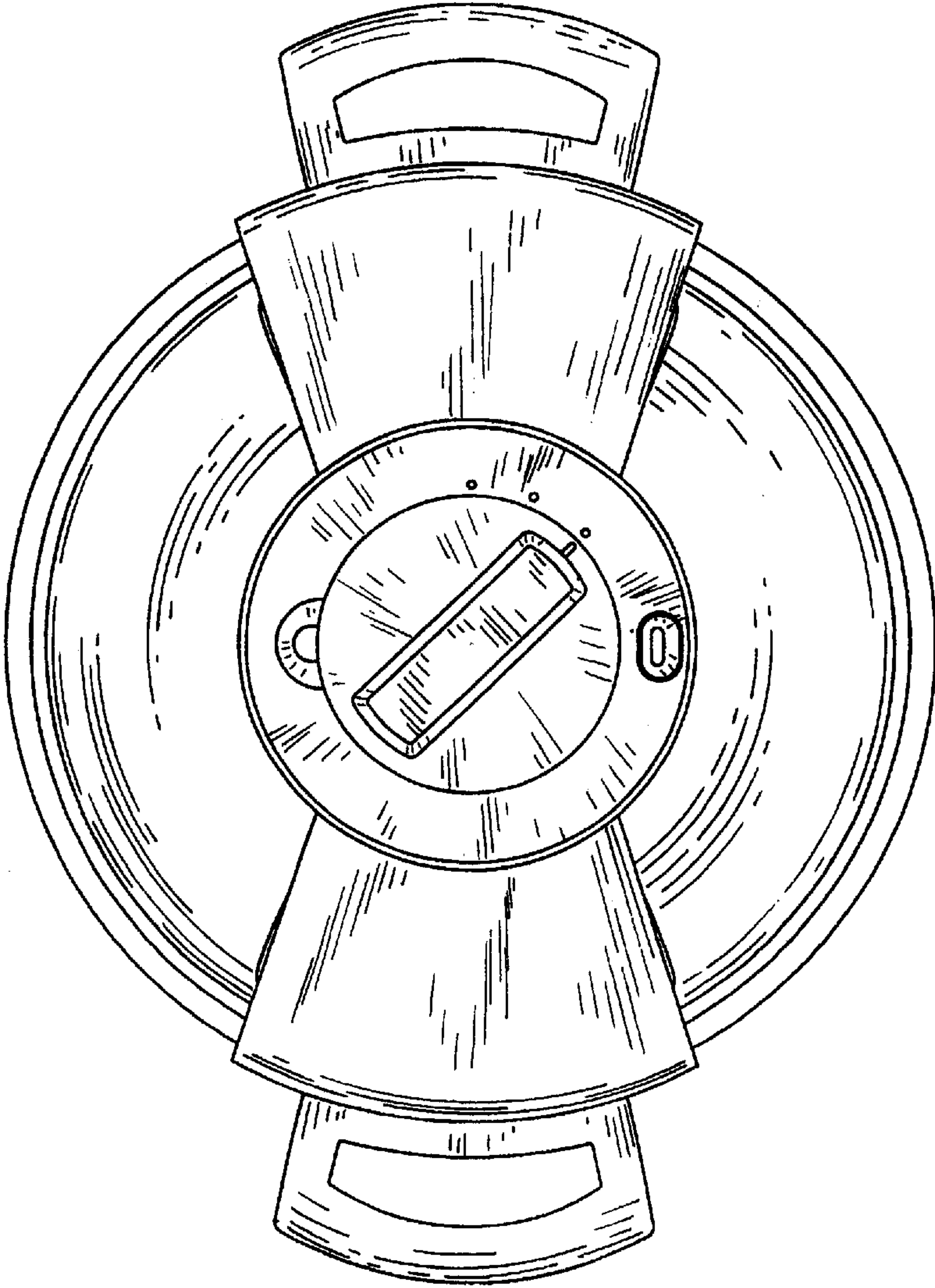


FIG. 5

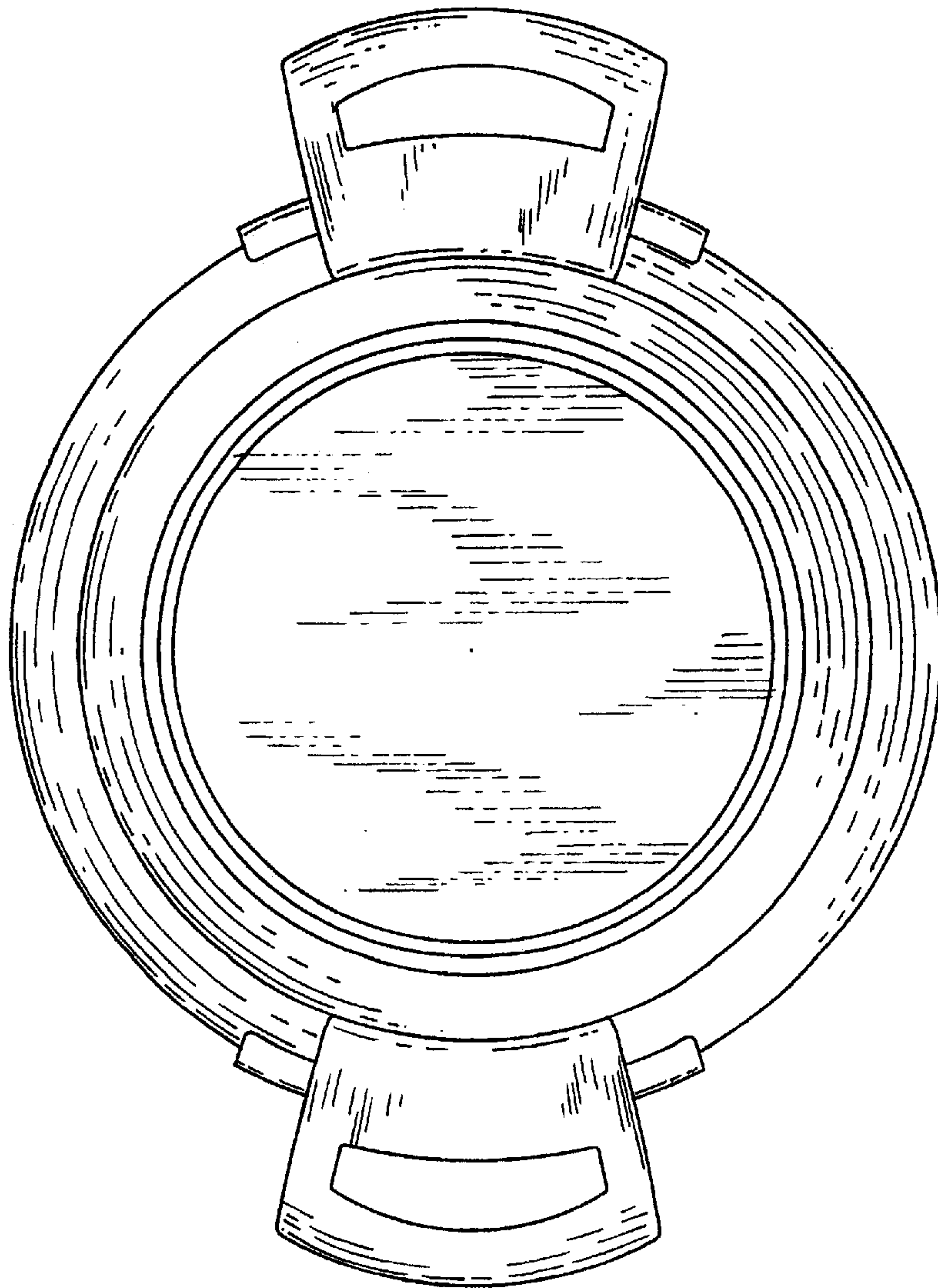


FIG. 6

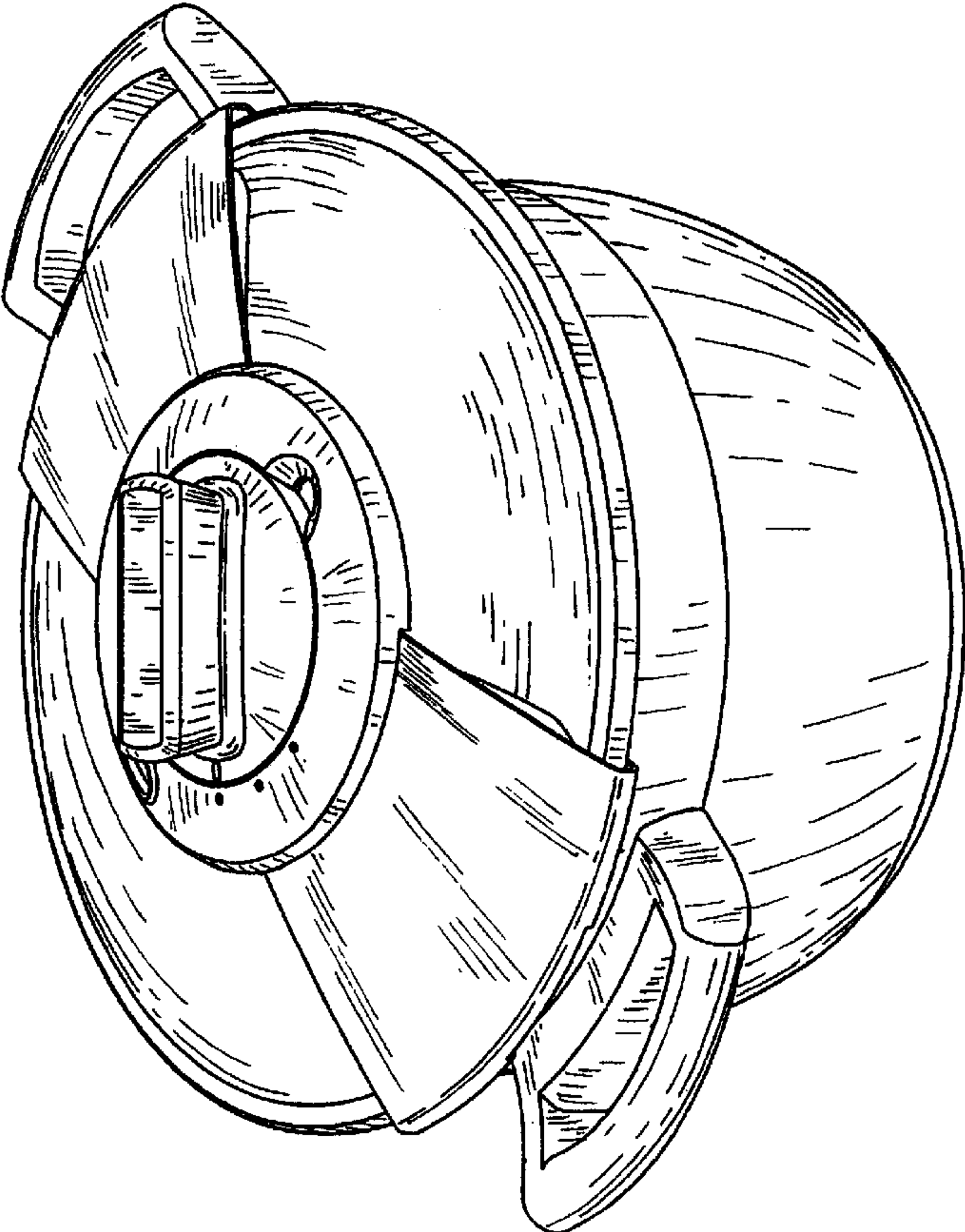


FIG. 7