



US00D532247S

(12) **United States Design Patent**  
**Copeland**

(10) **Patent No.:** **US D532,247 S**

(45) **Date of Patent:** **\*\* Nov. 21, 2006**

(54) **BREAD PAN**

(76) Inventor: **Kemisha A. Copeland**, 1317 NW,  
125th Ter., Sunrise, FL (US) 33323

(\*\*) Term: **14 Years**

(21) Appl. No.: **29/233,113**

(22) Filed: **Jun. 27, 2005**

(51) **LOC (8) Cl.** ..... **07-02**

(52) **U.S. Cl.** ..... **D7/354**

(58) **Field of Classification Search** ..... D6/300;  
D7/323, 354, 356, 357, 359, 360, 409, 500,  
D7/552, 554.1, 554.2, 554.3, 554.4, 556;  
D9/456; D15/90; 99/422, 425, 426, 428,  
99/430, 432, 439-442, 444, 446, DIG. 15;  
206/557, 561-564; 220/405, 445, 447, 469,  
220/500, 507, 508, 553, 555, 575, 626  
See application file for complete search history.

D405,473 S	*	2/1999	Tikhonski et al. ....	D20/42
D418,909 S	*	1/2000	Mockett .....	D23/308
D427,009 S	*	6/2000	Iyengar et al. ....	D7/360
D431,958 S	*	10/2000	Harris .....	D7/354
D443,467 S	*	6/2001	Bradley .....	D7/360
D445,632 S	*	7/2001	Bradley .....	D7/360
D445,633 S	*	7/2001	Bradley .....	D7/360
D462,231 S	*	9/2002	Kari et al. ....	D7/354
D462,232 S	*	9/2002	Bradley .....	D7/360
D463,202 S	*	9/2002	Smith .....	D7/359
D463,955 S	*	10/2002	Queensberry et al. ....	D7/565
D468,965 S	*	1/2003	Fino et al. ....	D7/505
D469,312 S	*	1/2003	Linberg et al. ....	D7/554.3
D481,544 S	*	11/2003	Di Leggerini .....	D6/300
D483,218 S	*	12/2003	Fino et al. ....	D7/360

\* cited by examiner

*Primary Examiner*—Cathron C. Brooks

*Assistant Examiner*—Ricky Pham

(57) **CLAIM**

The ornamental design for the bread pan, as shown.

**DESCRIPTION**

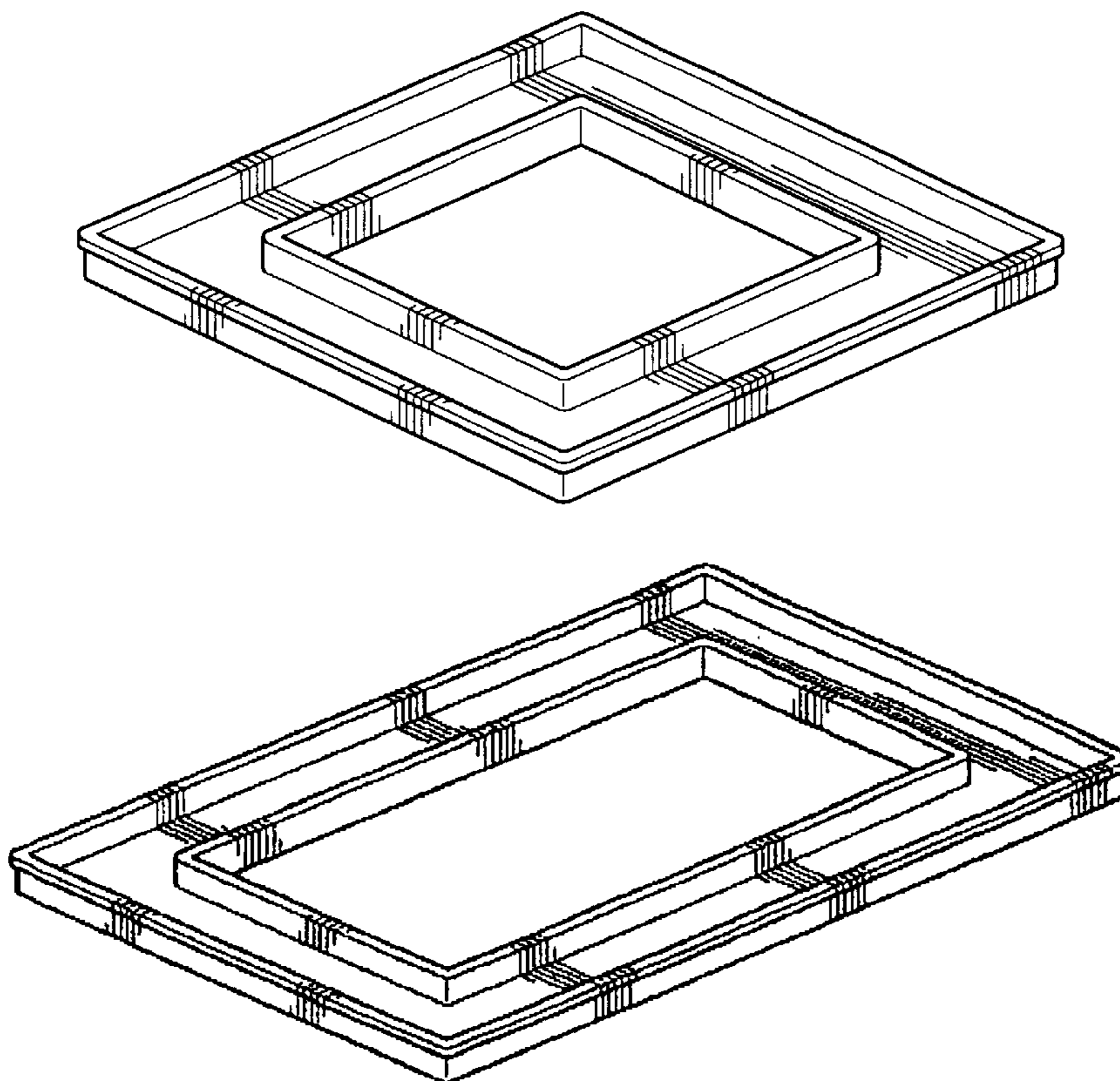
FIG. 1 is a perspective view of the bread pan;  
FIG. 2 is a top view of the bread pan;  
FIG. 3 is a front or side view of the bread pan;  
FIG. 4 is a bottom view of the bread pan; and,  
FIG. 5 is a perspective view of a second embodiment of the  
bread pan.

**1 Claim, 2 Drawing Sheets**

(56) **References Cited**

**U.S. PATENT DOCUMENTS**

D15,753 S	*	1/1885	Knowles et al. ....	D7/565
D288,396 S	*	2/1987	Ritman .....	D7/586
D289,844 S	*	5/1987	Daenen et al. ....	D7/354
D292,472 S	*	10/1987	Oh .....	D7/360
D314,627 S	*	2/1991	Picasso .....	D25/138
D323,563 S	*	1/1992	Picasso .....	D25/138
D373,284 S	*	9/1996	Hirst .....	D7/354



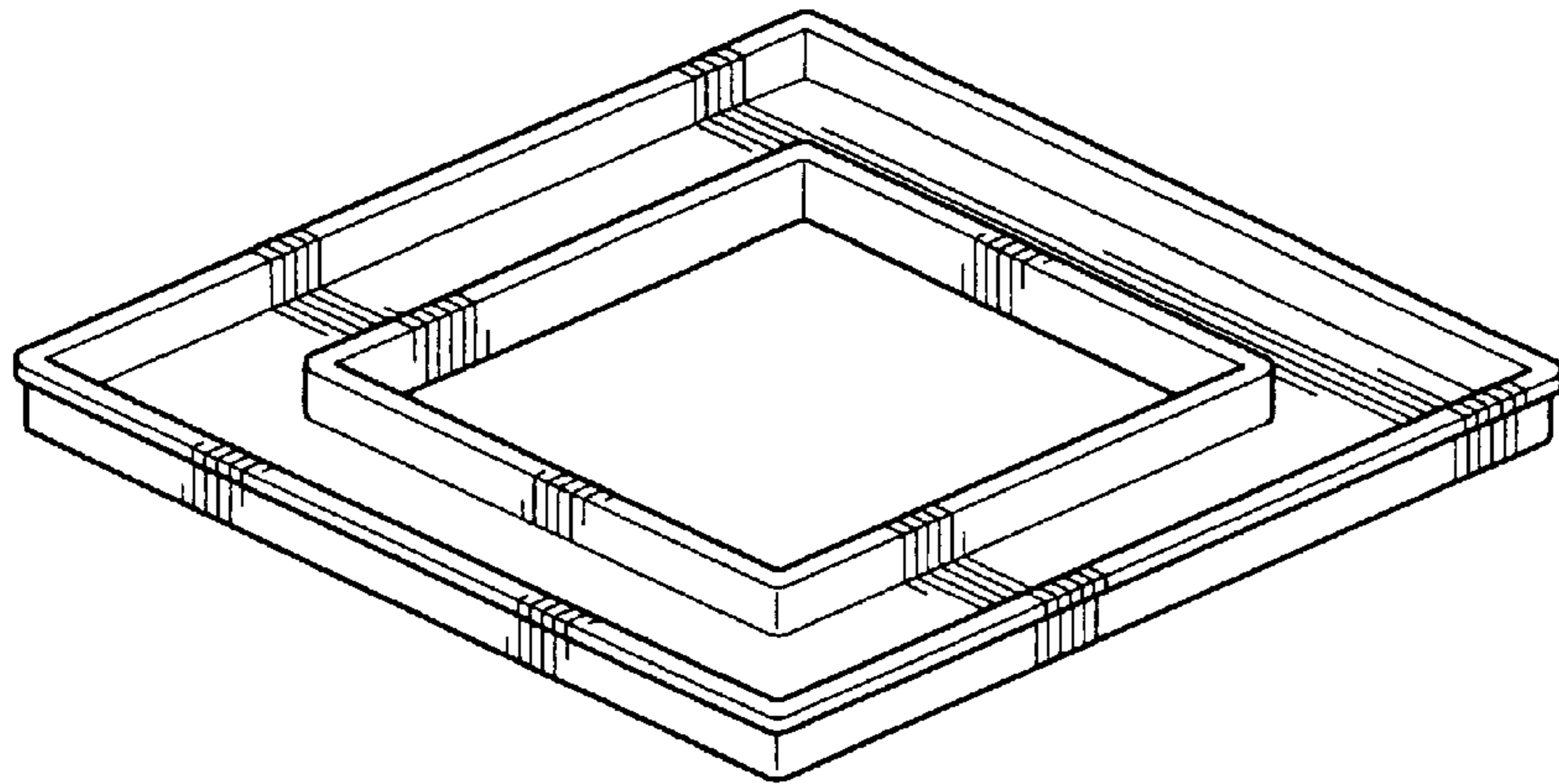


Figure 1

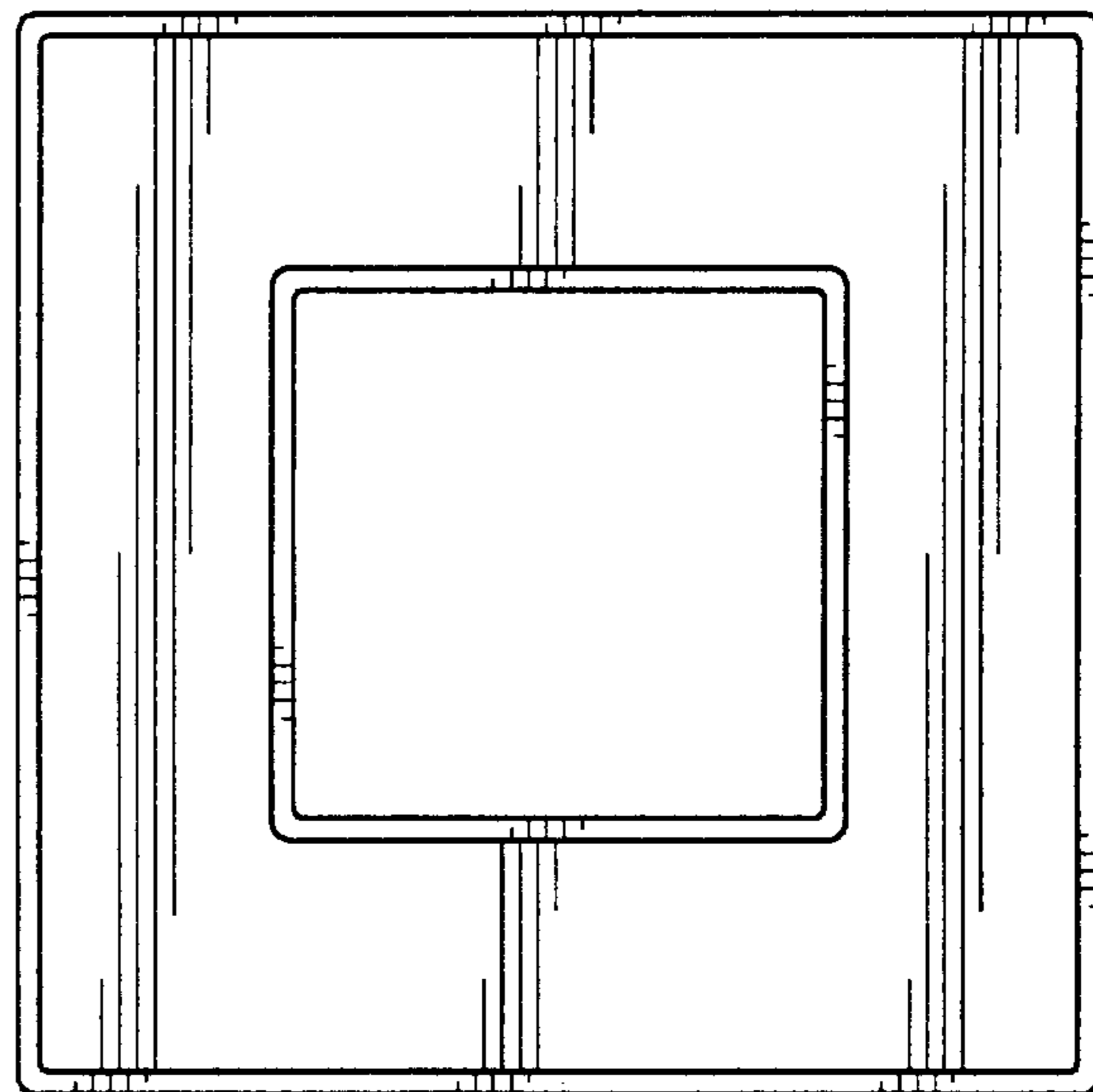


Figure 2

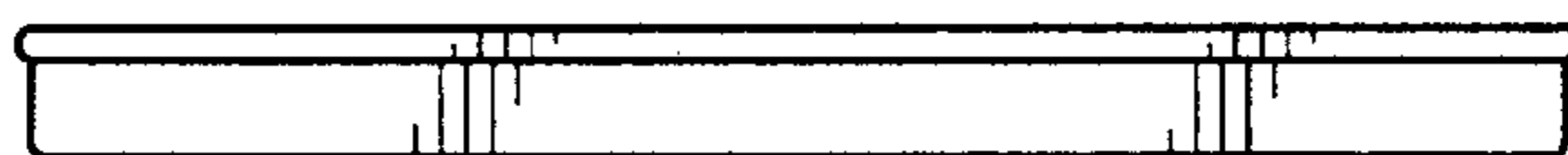


Figure 3

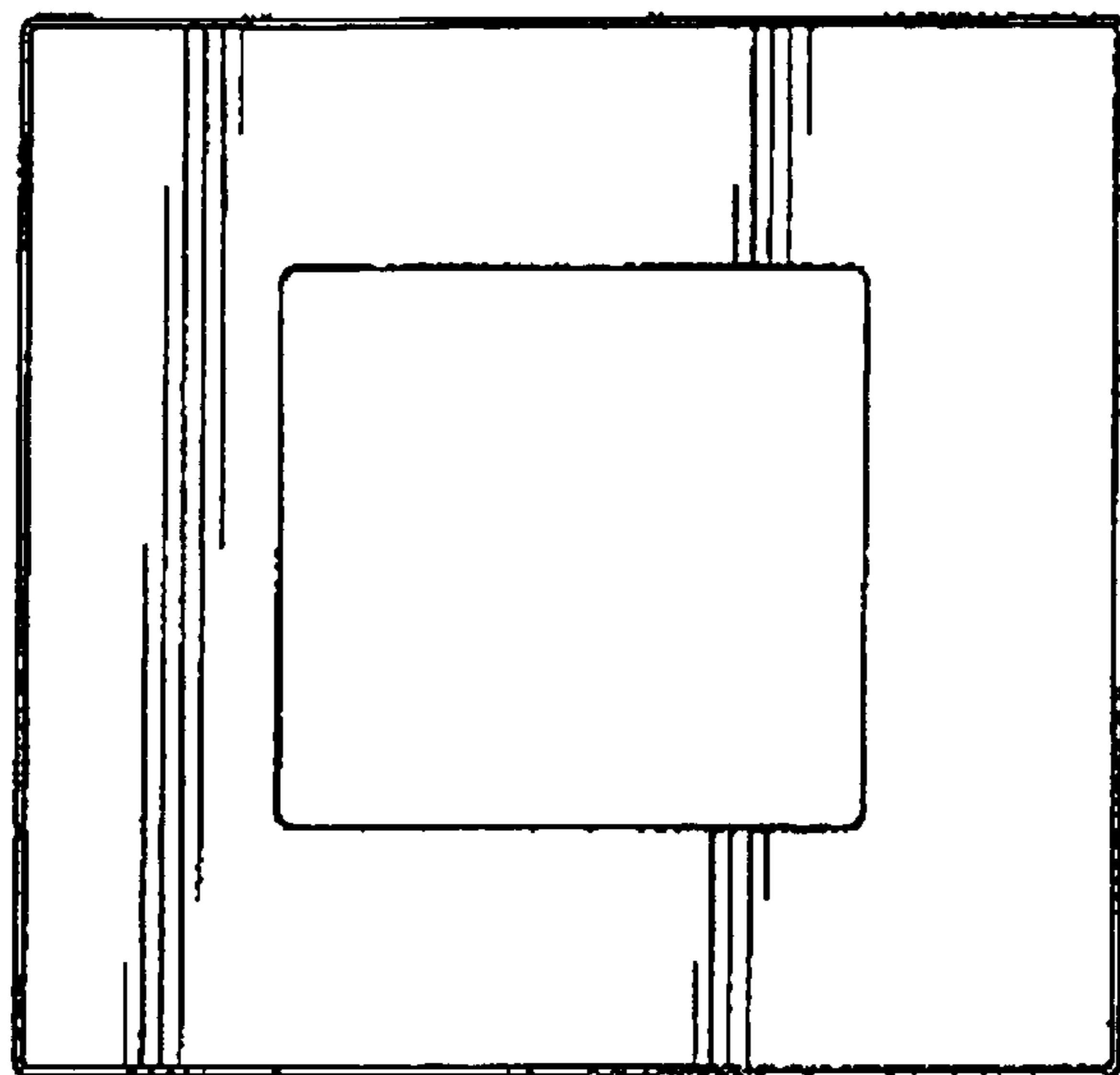


Figure 4

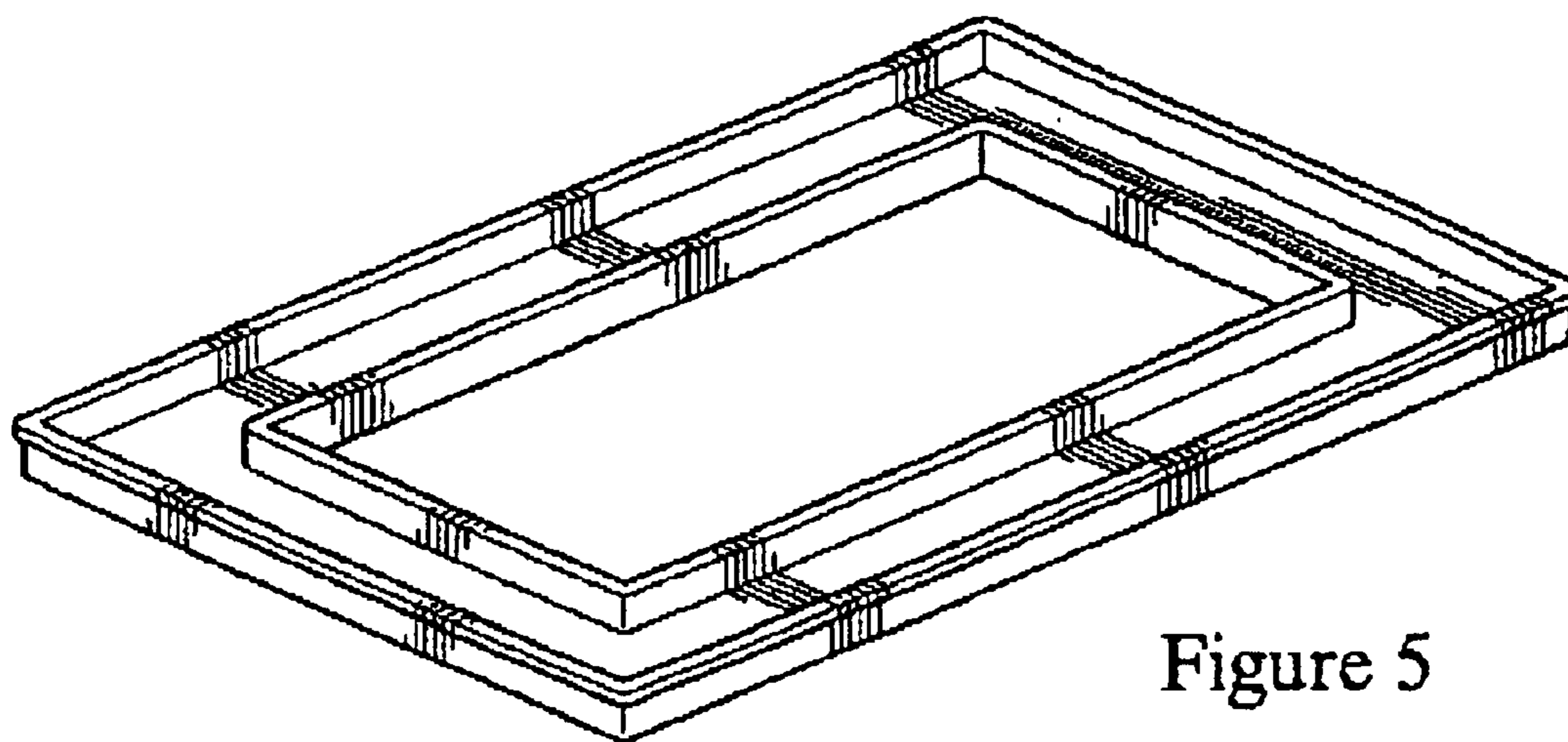


Figure 5