



US00D532244S

(12) **United States Design Patent**
Ancona

(10) **Patent No.:** **US D532,244 S**

(45) **Date of Patent:** **** Nov. 21, 2006**

(54) **COFFEE POT**

(75) Inventor: **Enrico Ancona**, Corso Laghi (IT)

(73) Assignee: **Imperia Trading S.r.l.**, Rome (IT)

(**) Term: **14 Years**

(21) Appl. No.: **29/219,464**

(22) Filed: **Dec. 20, 2004**

(30) **Foreign Application Priority Data**

Jun. 18, 2004 (EM) 000192315-0001

(51) **LOC (8) Cl.** **07-01**

(52) **U.S. Cl.** **D7/318; D7/317**

(58) **Field of Classification Search** D7/318,
D7/319, 317, 316, 312, 322, 321, 320; 99/296,
99/293, 306, 303; 222/108, 188, 465.1

See application file for complete search history.

(56) **References Cited**

U.S. PATENT DOCUMENTS

3,935,804	A	*	2/1976	Perez	99/293
4,038,914	A	*	8/1977	Crespo et al.	99/279
4,491,040	A	*	1/1985	Corona	81/3.09
4,557,187	A	*	12/1985	DePonti	99/279
D296,973	S	*	8/1988	Pozzi	D7/317
D300,709	S	*	4/1989	Chen	D7/321
D319,368	S	*	8/1991	Picozza et al.	D7/317
D347,544	S	*	6/1994	Horbochuk	D7/318
D399,384	S	*	10/1998	Ranzoni	D7/318
5,894,785	A	*	4/1999	Molinari	99/303
D414,979	S	*	10/1999	de Bergen	D7/320
D434,600	S	*	12/2000	Garcia et al.	D7/397

D435,386	S	*	12/2000	Ancona et al.	D7/322
D484,356	S	*	12/2003	Bodum	D7/318
D504,046	S	*	4/2005	Fuentes	D7/318
6,912,949	B1	*	7/2005	Brizio	99/303
D514,868	S	*	2/2006	Achenbach et al.	D7/318

OTHER PUBLICATIONS

Vintage Aluminum Espresso Coffee Maker (1970'S) from eBAY.*

* cited by examiner

Primary Examiner—M. N. Pandozzi

(74) *Attorney, Agent, or Firm*—Novak Druce & Quigg, LLP

(57) **CLAIM**

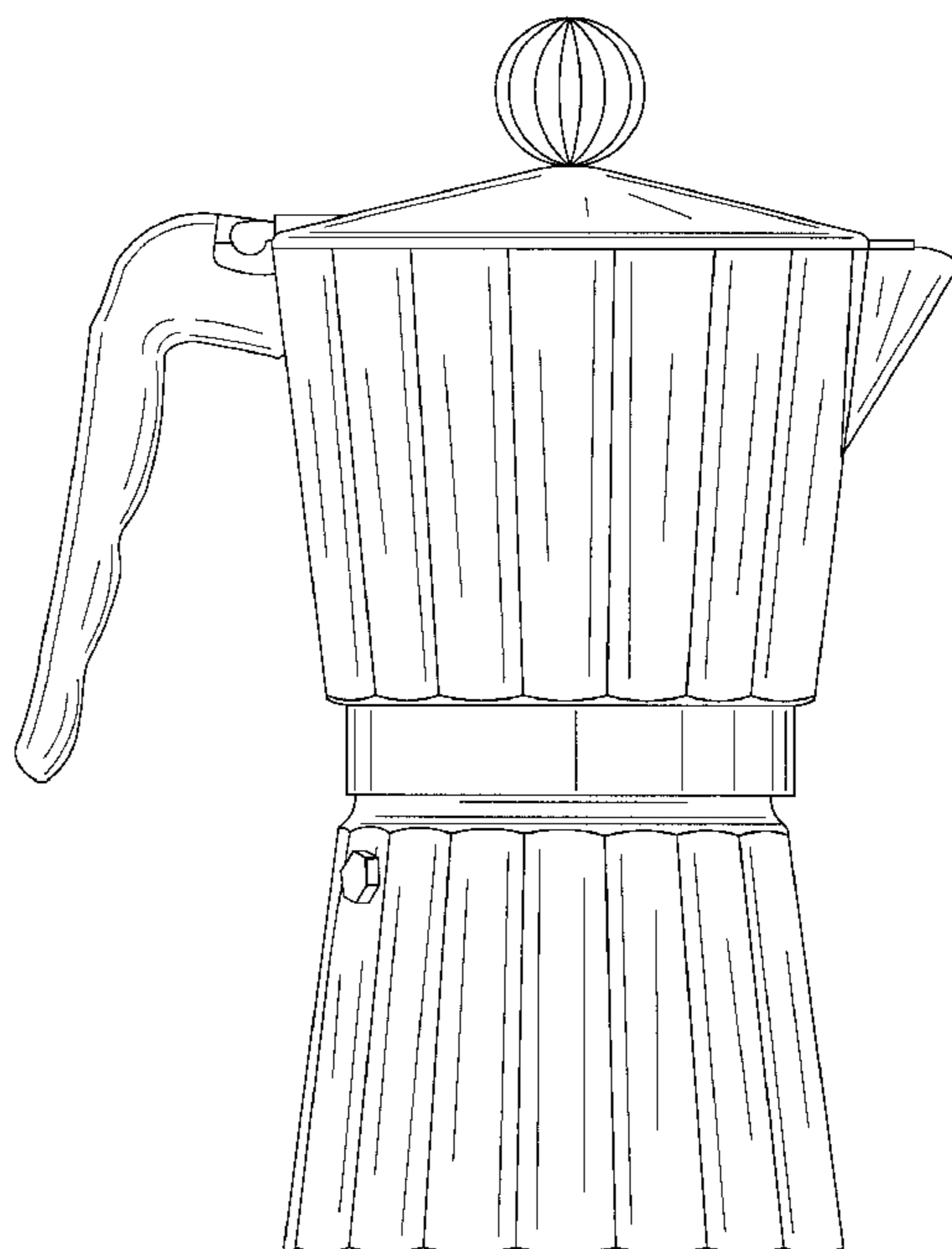
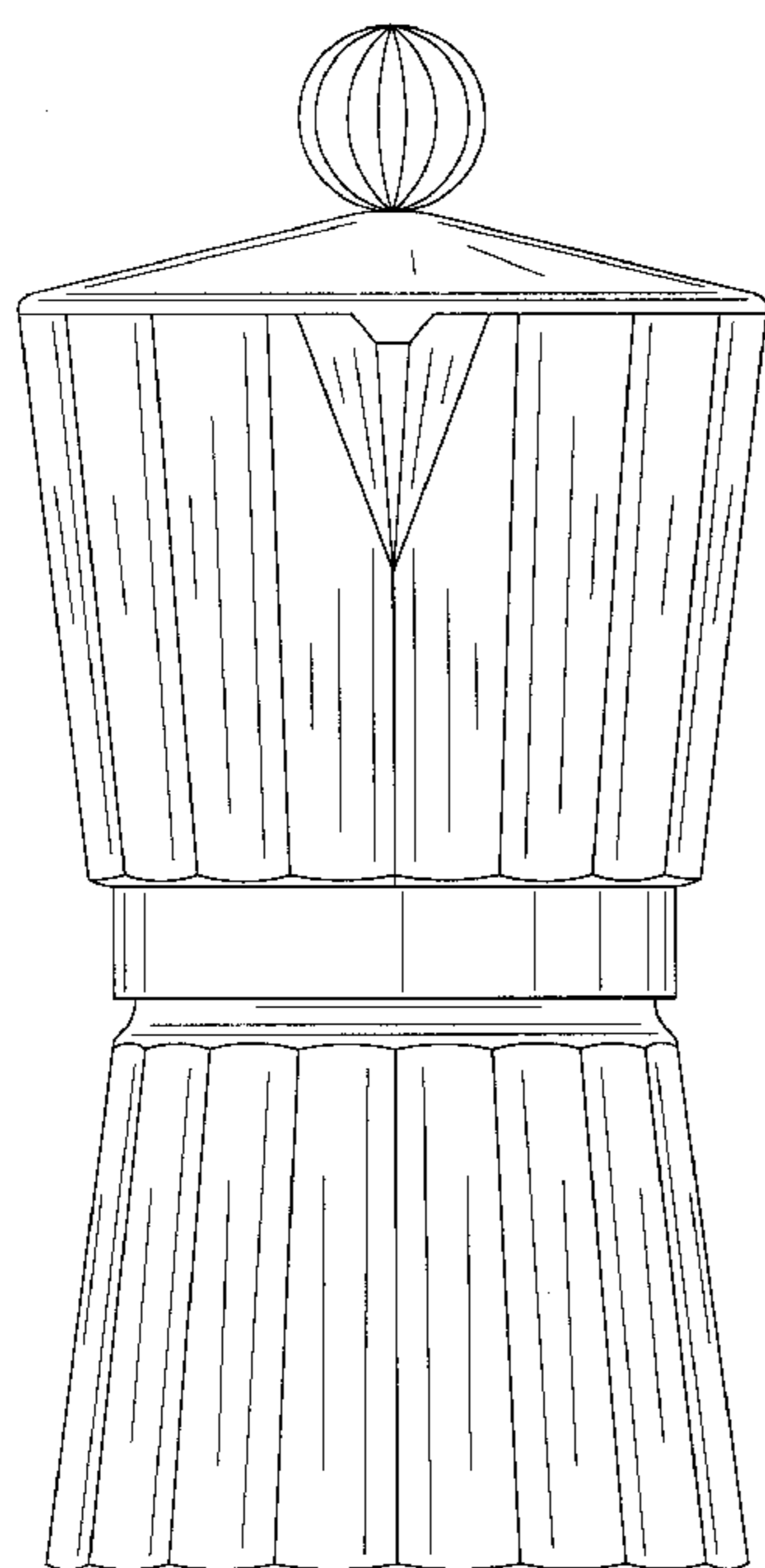
The ornamental design for a coffee pot, as shown and described.

DESCRIPTION

FIG. 1 is a front view of the coffee pot;
FIG. 2 is a side of the coffee pot of FIG. 1;
FIG. 3 is a rear view of the coffee pot of FIG. 1;
FIG. 4 is a top view of the coffee pot of FIG. 1;
FIG. 5 is a perspective view of the coffee pot of FIG. 1;
FIG. 6 is a front view of the coffee pot of FIG. 1, with the lid in an open position; and,
FIG. 7 is a side view of the coffee pot of FIG. 1, with the lid in an open position.

The claimed coffee pot has a pivotably connected lid with a shaft connected to the lid and helix at the end of the shaft, which shaft and helix are visible when the lid is open.

1 Claim, 7 Drawing Sheets



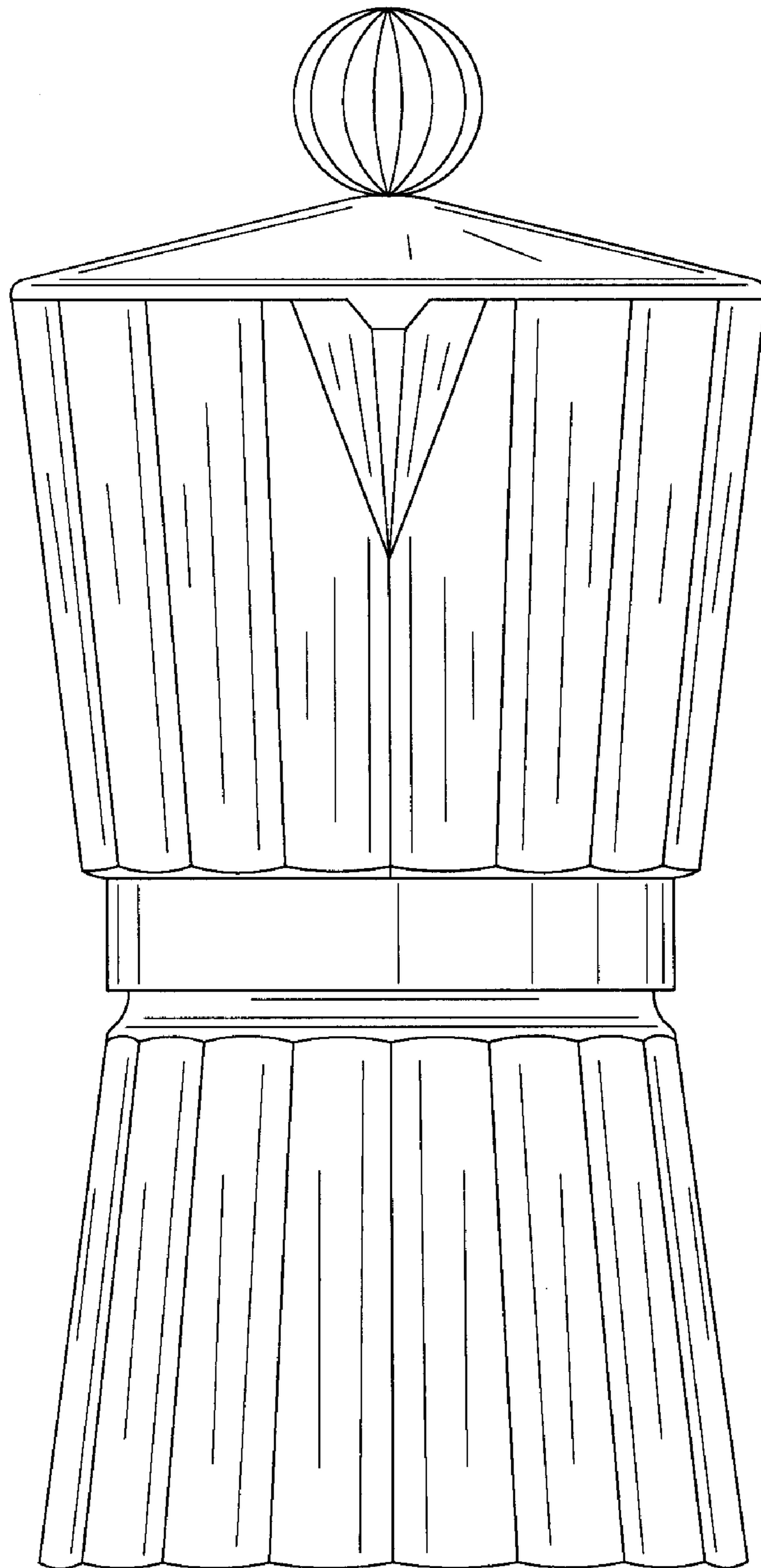


FIG. 1

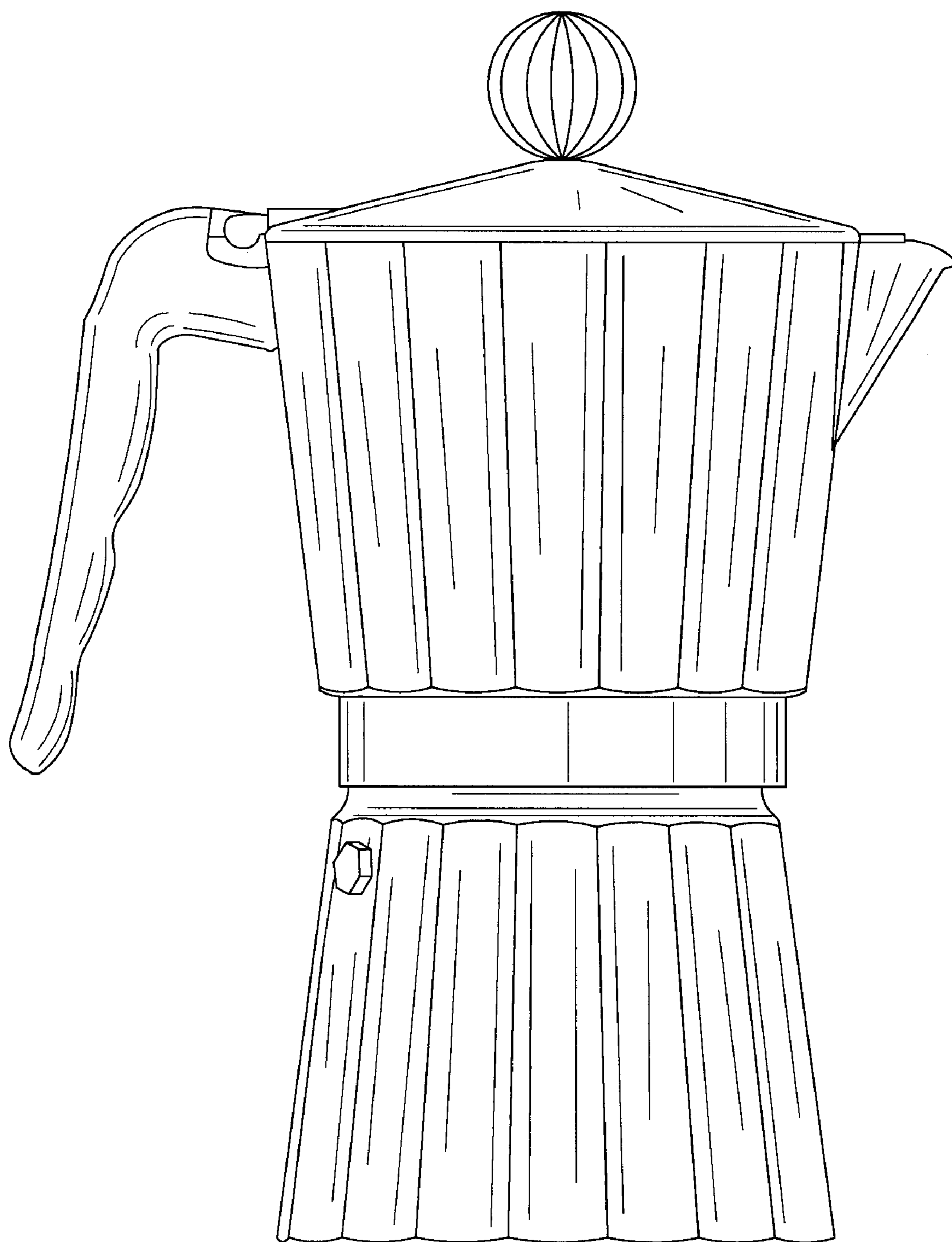


FIG. 2

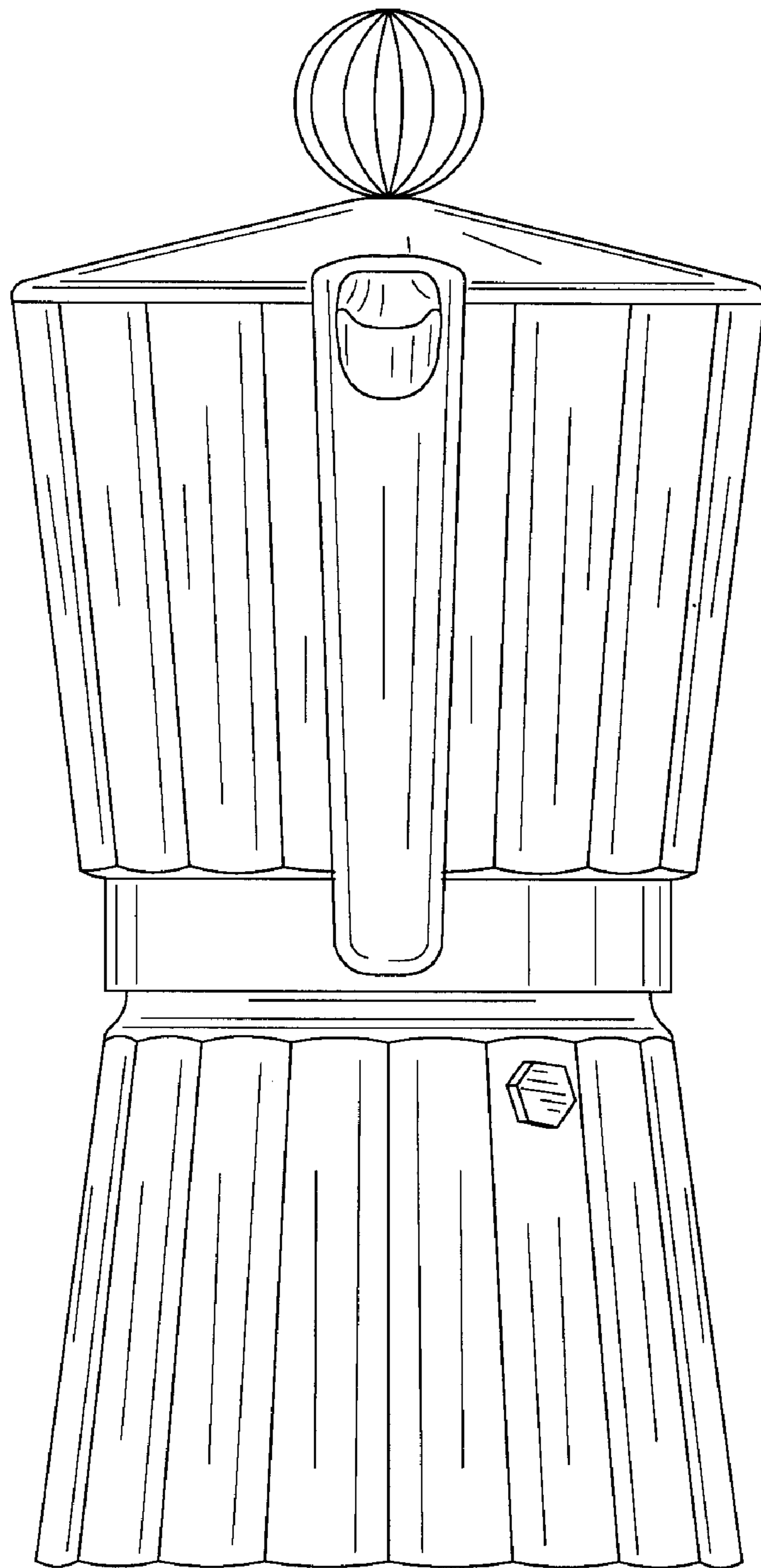


FIG. 3

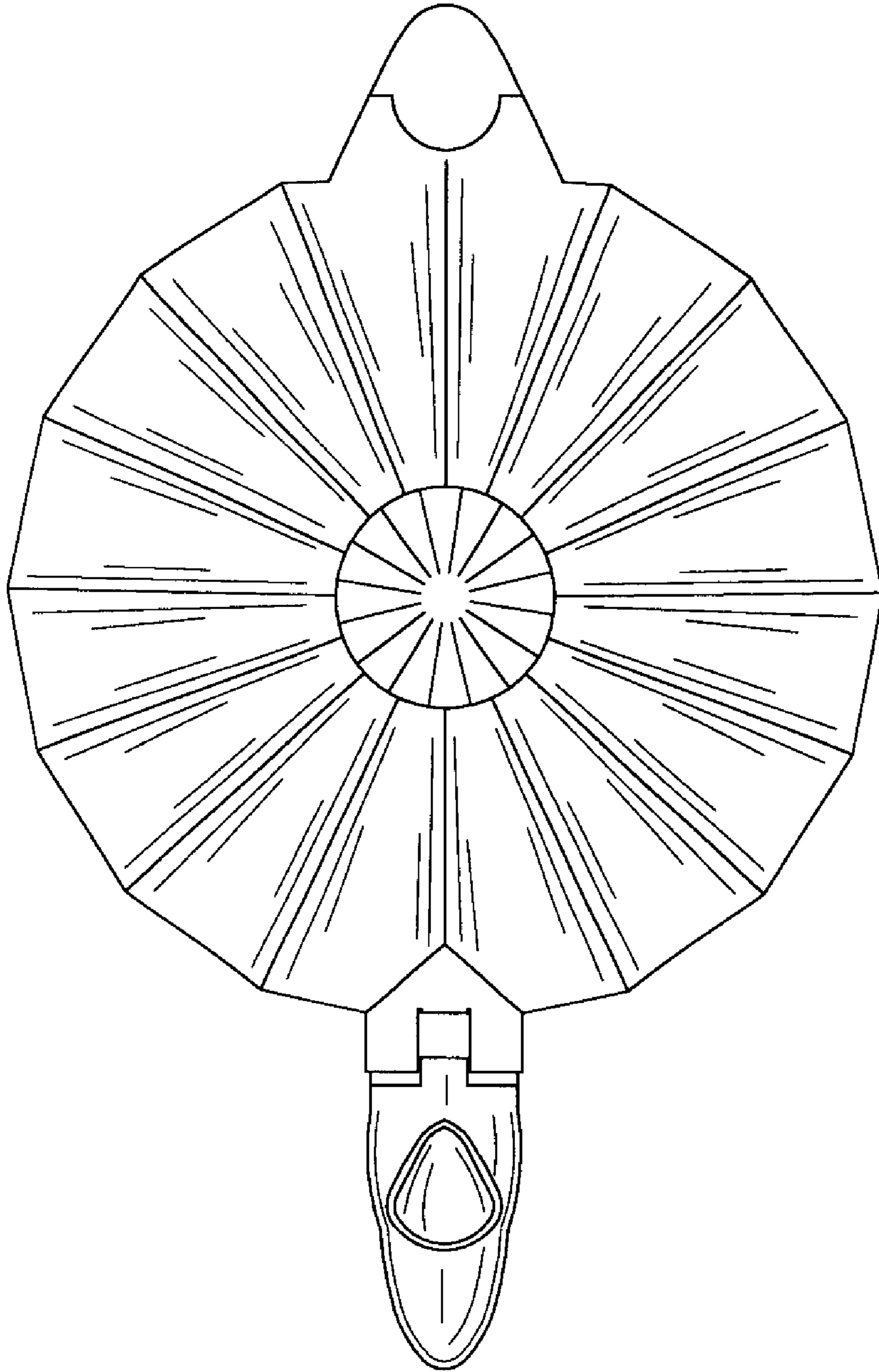


FIG. 4

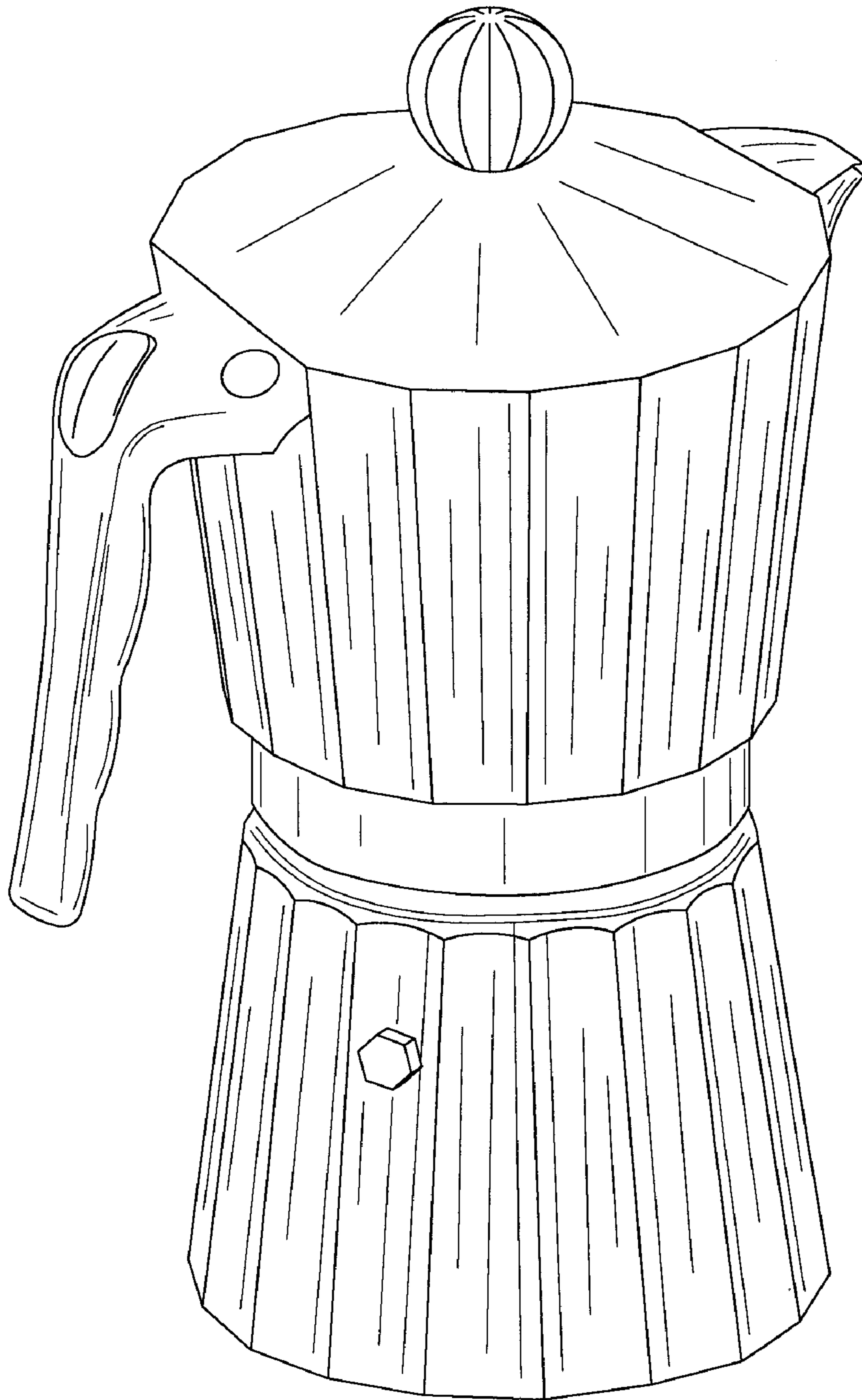


FIG. 5

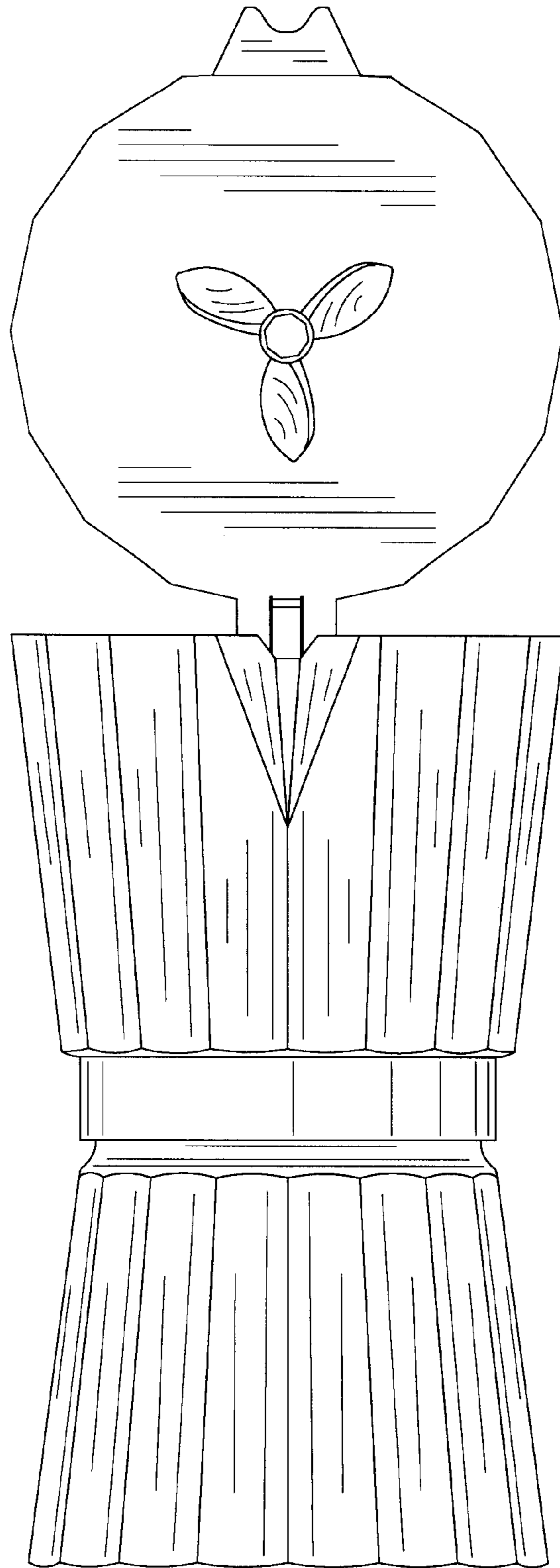


FIG. 6

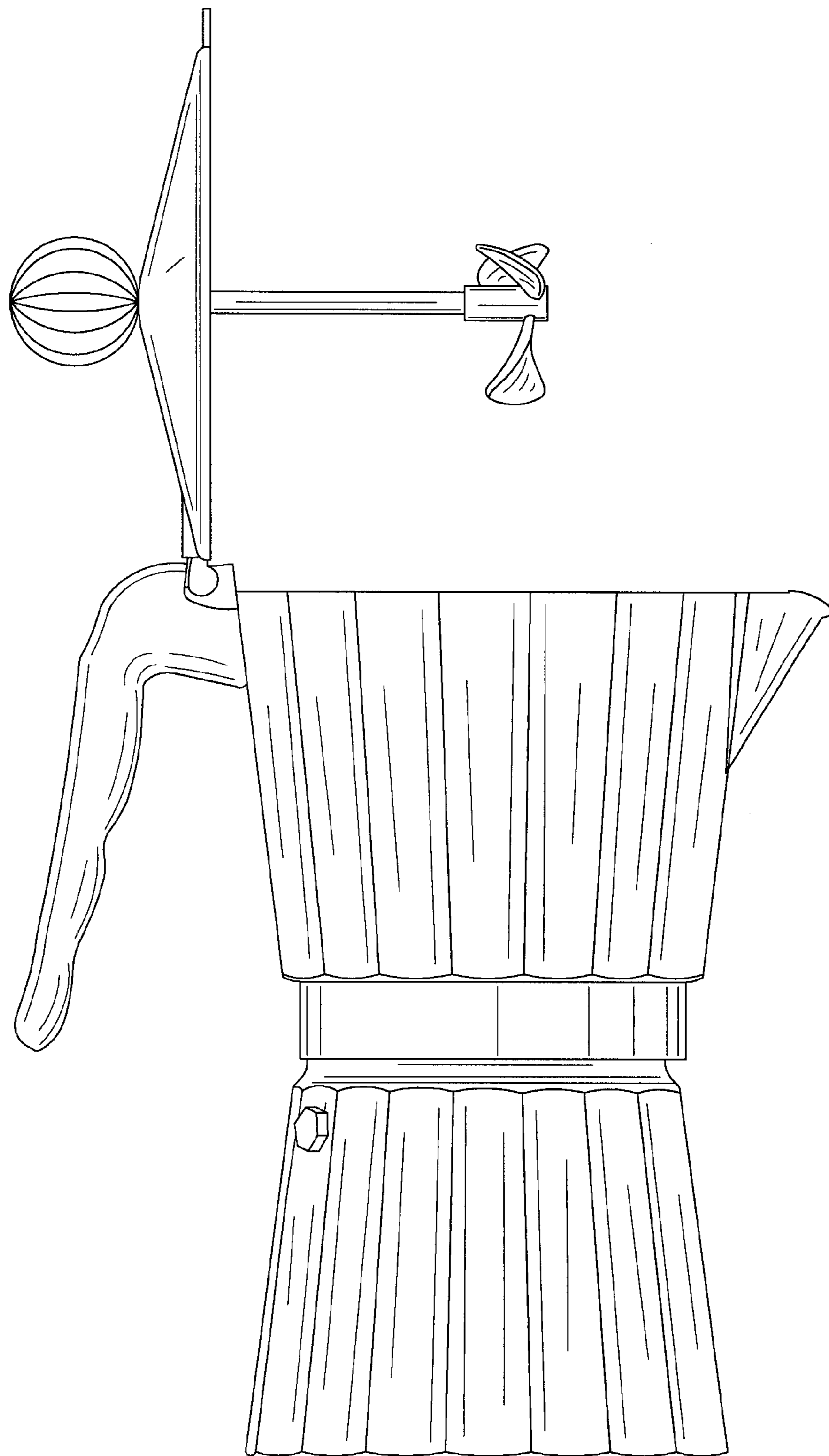


FIG. 7