

US00D532233S

(12) **United States Design Patent**
Thorsteinsson et al.

(10) **Patent No.:** **US D532,233 S**

(45) **Date of Patent:** **** Nov. 21, 2006**

- (54) **WALL MOUNTABLE SOAP DISH**
- (75) Inventors: **Sigurdur Thorsteinsson**, Milan (IT);
Christopher J. Miller, Milan (IT);
Peter J. Newbould, Milan (IT);
Pasquale Cirulli, Milan (IT)
- (73) Assignee: **3M Innovative Properties Company**,
St. Paul, MN (US)
- (**) Term: **14 Years**
- (21) Appl. No.: **29/253,123**
- (22) Filed: **Feb. 1, 2006**
- (51) **LOC (8) Cl.** **23-02**
- (52) **U.S. Cl.** **D6/540**
- (58) **Field of Classification Search** D6/529,
D6/536-540; D7/502, 550, 554.2, 56; 206/77.1,
206/557, 587, 823; 211/13.1, 85.4, 85.12;
D9/682, 690, 692
See application file for complete search history.

- D433,858 S * 11/2000 Gastelum et al. D6/540
- D435,992 S * 1/2001 Min-Tsung D6/540
- D468,144 S * 1/2003 Shayo D6/537
- D480,585 S 10/2003 Johansson et al.
- 6,669,033 B1 * 12/2003 Lian D6/540
- D496,816 S * 10/2004 Hoernig D6/540
- D512,862 S * 12/2005 Hoernig D6/540

* cited by examiner

Primary Examiner—Brian N Vinson

(74) *Attorney, Agent, or Firm*—David B. Patchett

(57) **CLAIM**

The ornamental design for a wall mountable soap dish, as shown and described.

DESCRIPTION

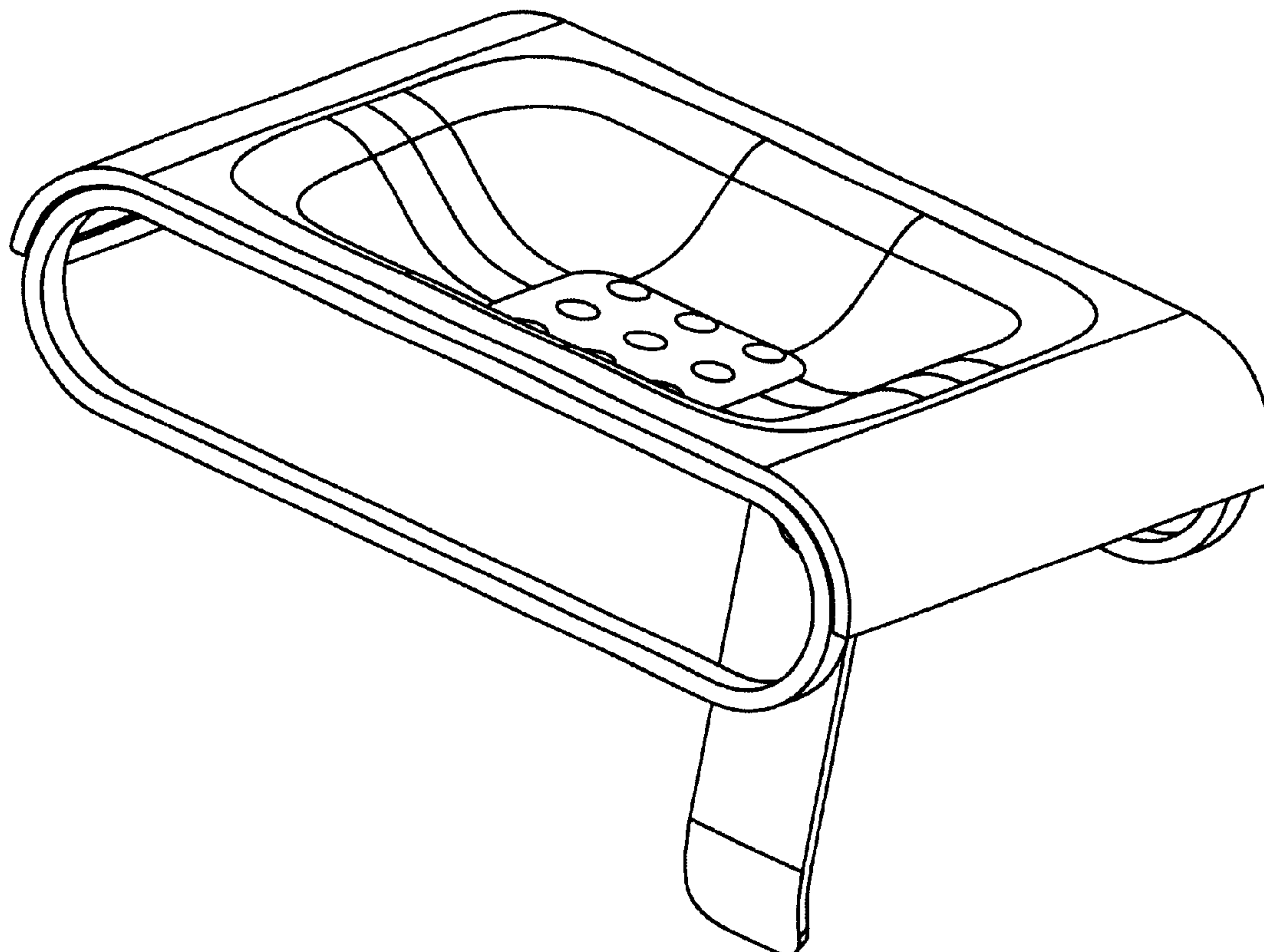
FIG. 1 is a perspective view of a wall mountable soap dish showing the new design;
FIG. 2 is a front view thereof;
FIG. 3 is a rear view thereof;
FIG. 4 is a top view thereof;
FIG. 5 is a bottom view thereof; and,
FIG. 6 is a side view thereof, the opposite side view thereof being a mirror image of the side view shown.

(56) **References Cited**

U.S. PATENT DOCUMENTS

D349,206 S * 8/1994 Fischer et al. D6/536

1 Claim, 3 Drawing Sheets



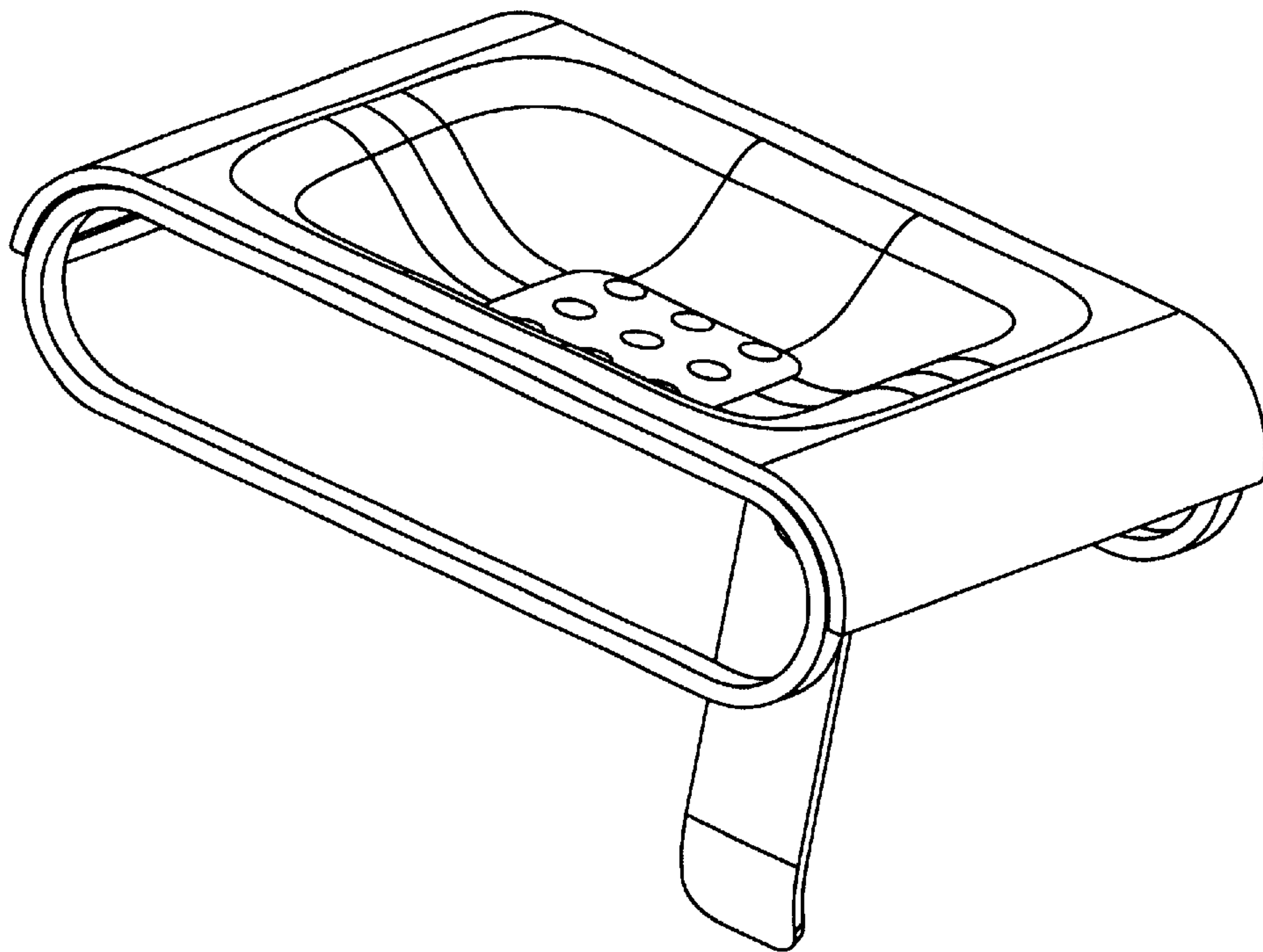


Fig. 1

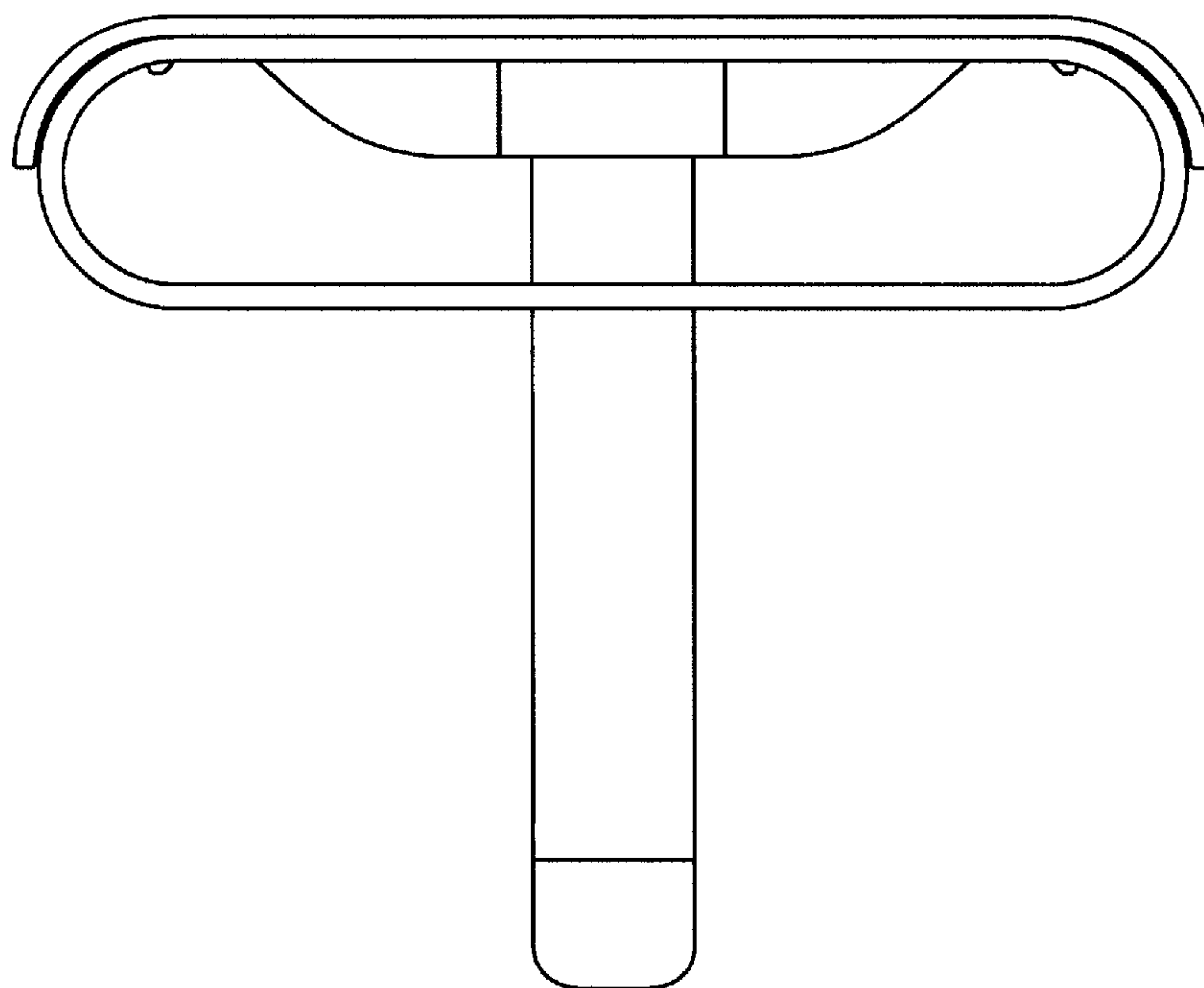


Fig. 2

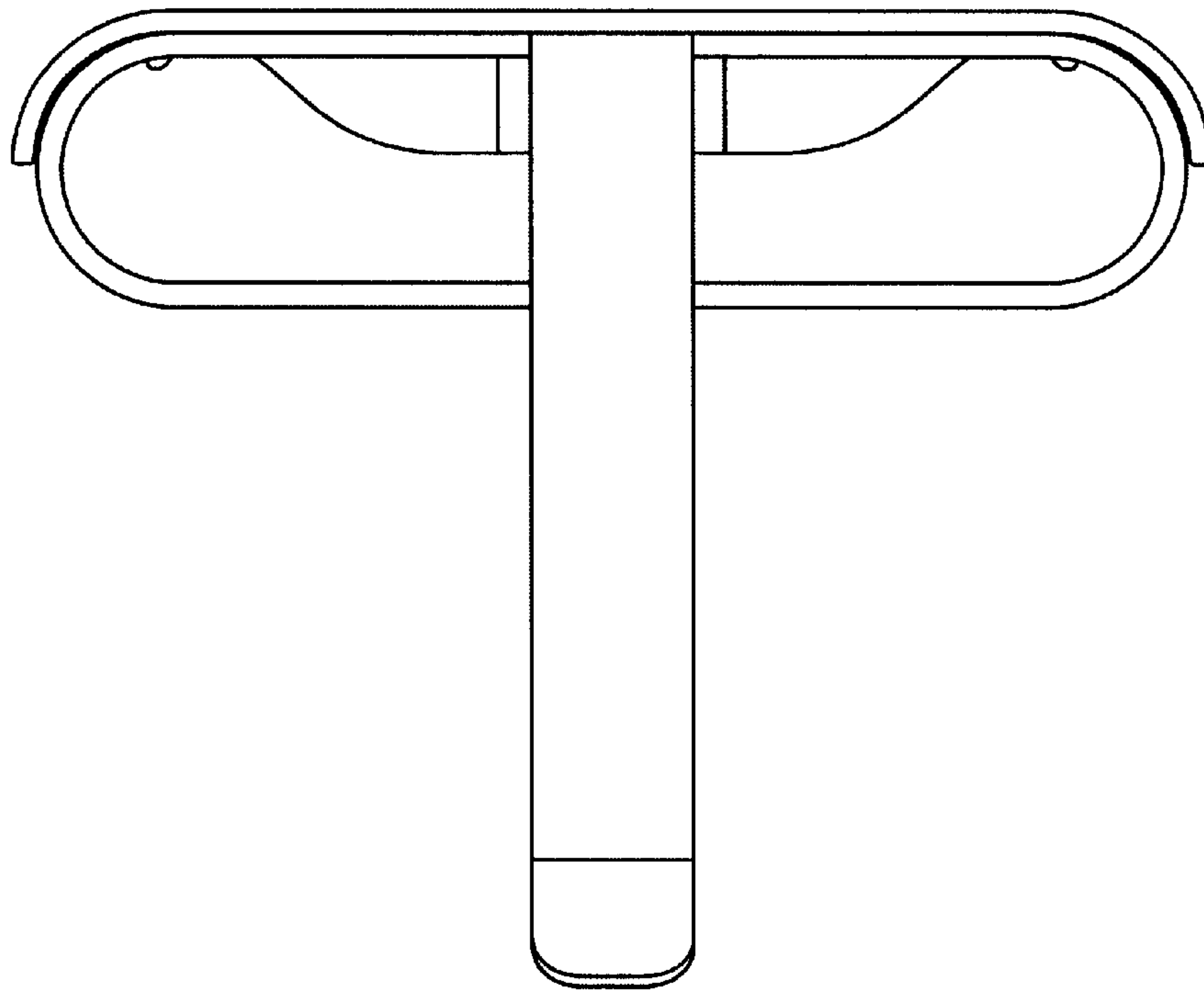


Fig. 3

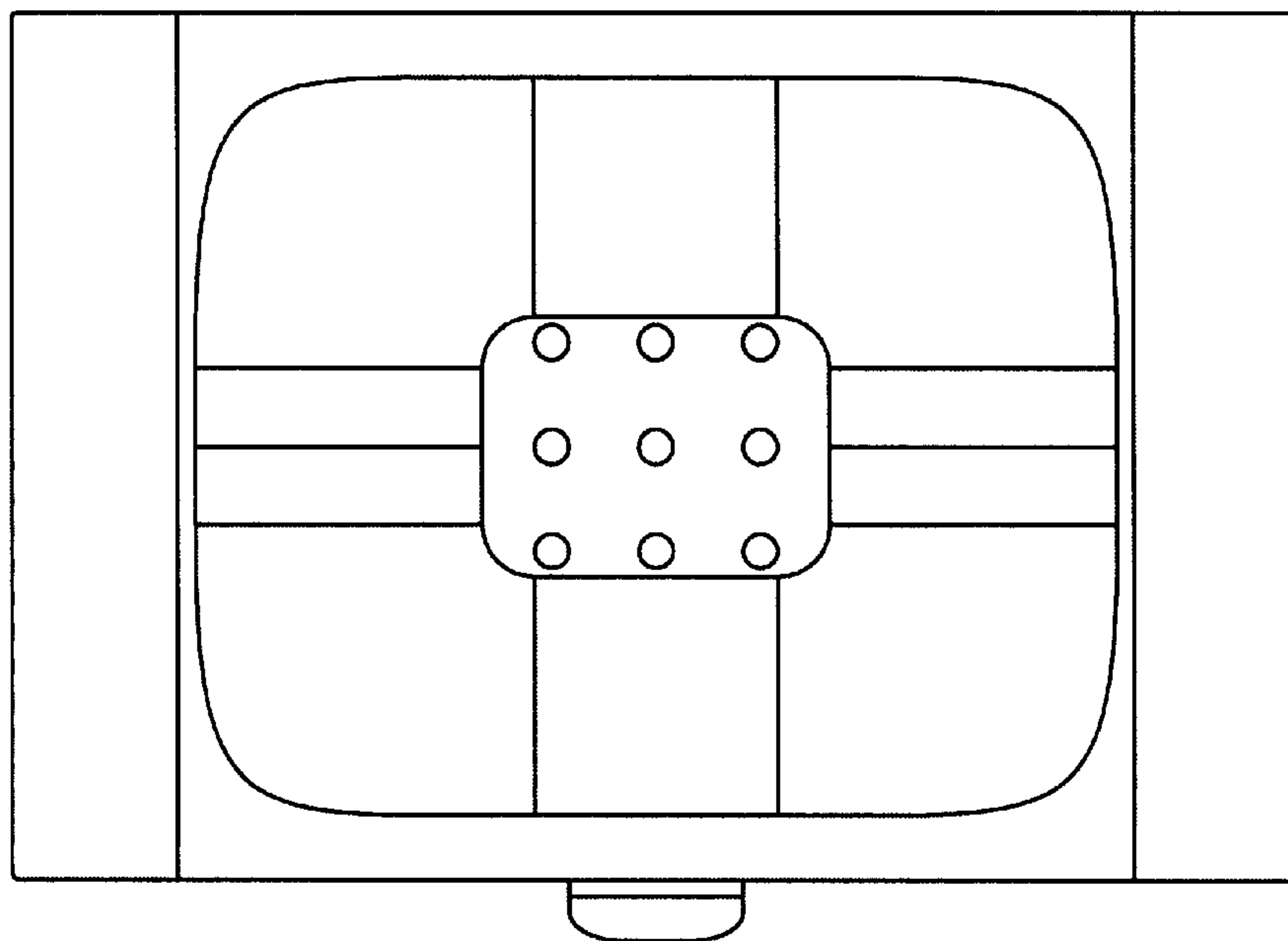


Fig. 4

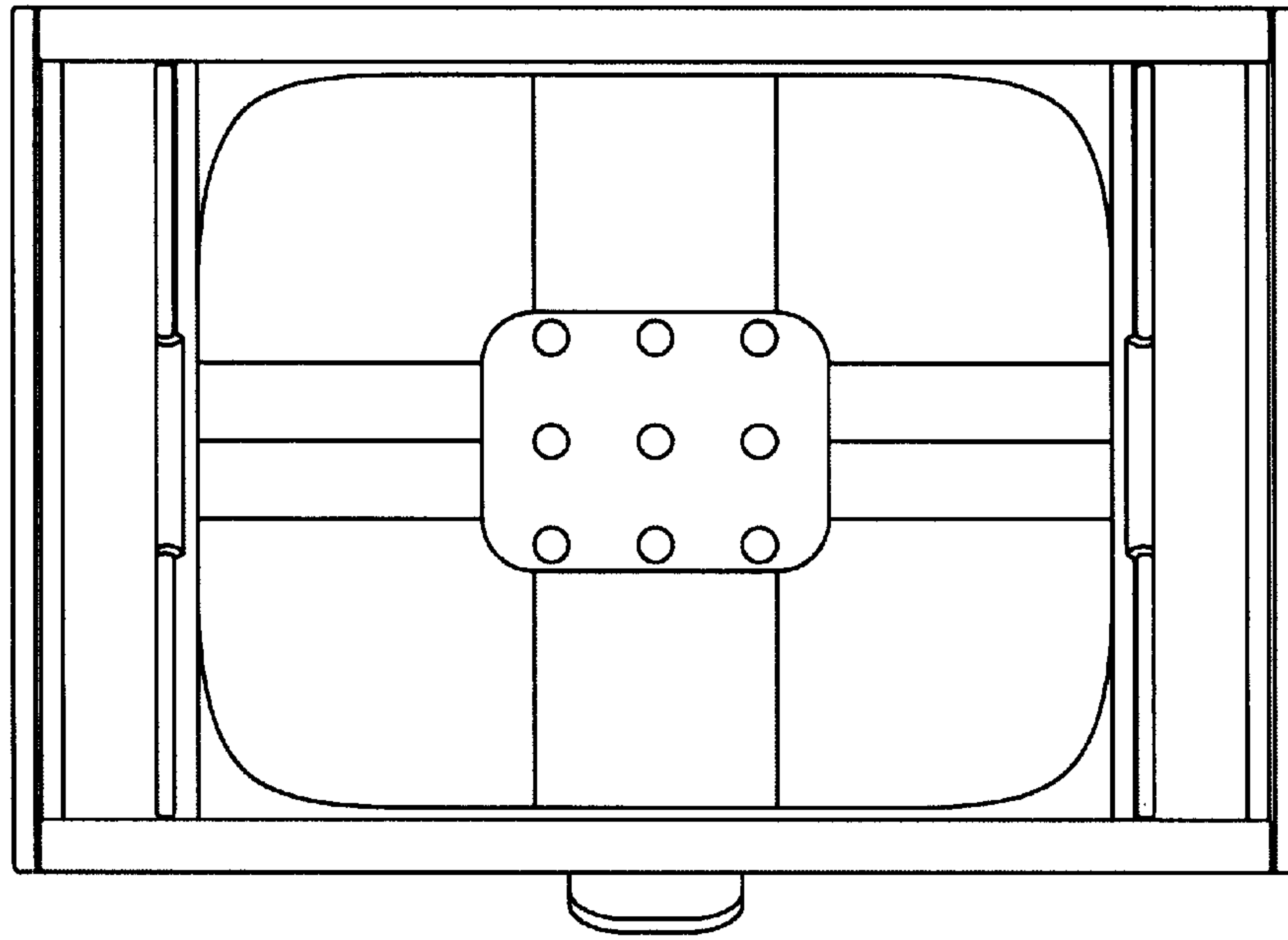


Fig. 5

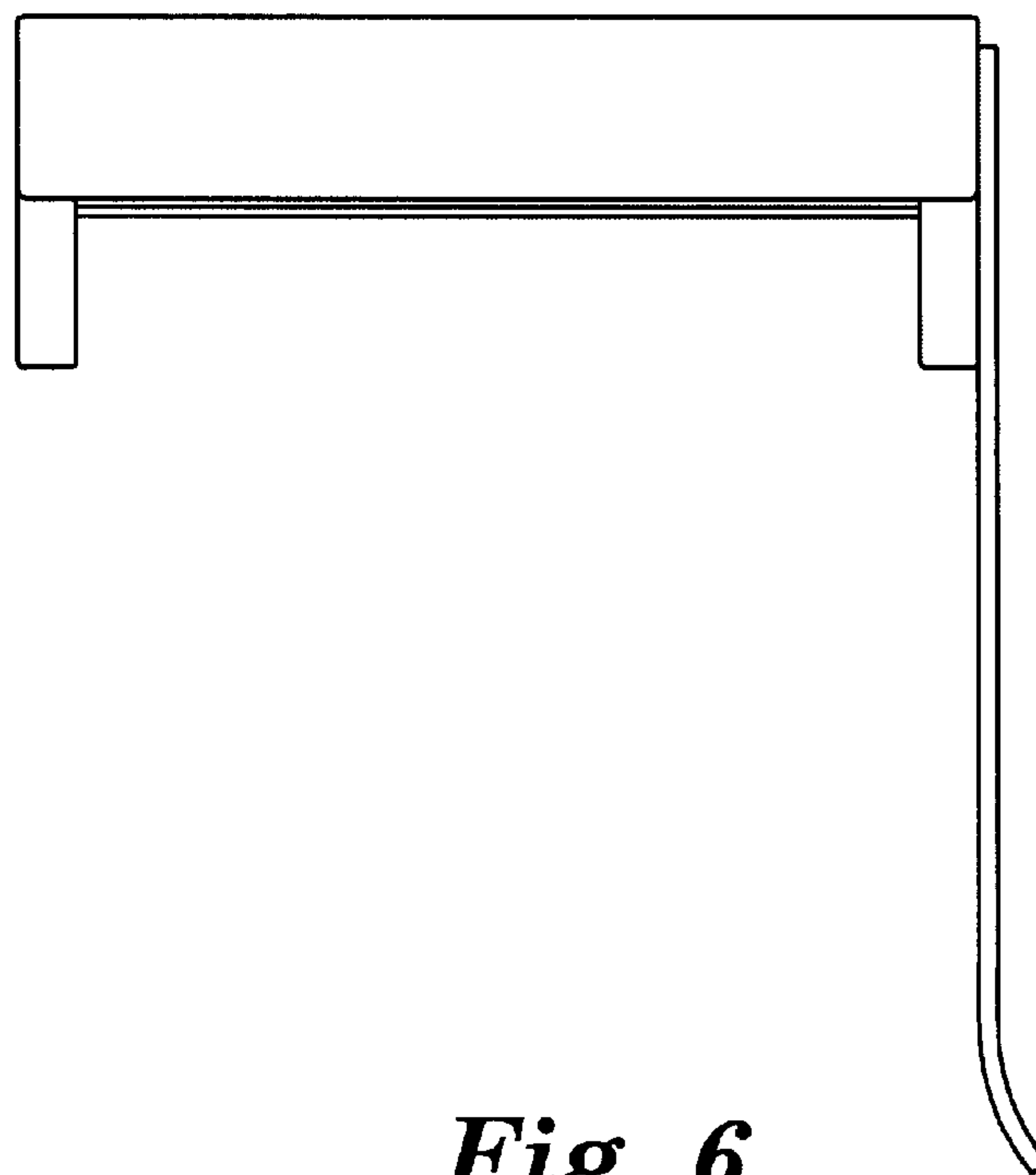


Fig. 6