



US00D532230S

(12) **United States Design Patent** (10) **Patent No.:** **US D532,230 S**
Snell (45) **Date of Patent:** **** Nov. 21, 2006**

(54) **SOAP AND SCRUB CENTER**

D499,291 S 12/2004 Snell

(75) Inventor: **Russell Benton Snell**, Bentleyville, OH (US)

* cited by examiner

(73) Assignee: **InterDesign, Inc.**, Solon, OH (US)

Primary Examiner—Brian N Vinson

(**) Term: **14 Years**

(74) *Attorney, Agent, or Firm*—D. Peter Hochberg; Sean Mellino

(21) Appl. No.: **29/219,367**

(57) **CLAIM**

(22) Filed: **Dec. 16, 2004**

The ornamental design for a soap and scrub center, as shown and described.

(51) **LOC (8) Cl.** **23-02**

DESCRIPTION

(52) **U.S. Cl.** **D6/525**

(58) **Field of Classification Search** D6/553,
D6/540, 567, 574; D3/201, 304, 315, 901;
206/77.1, 5, 207, 349, 361, 363, 812; 211/13.1,
211/85.1, 85.12, 70.6, 86.01, 87.01, 119.009
See application file for complete search history.

FIG. 1 is a perspective view of a soap and scrub center according to the invention;

FIG. 2 is a top view of the soap and scrub center shown in FIG. 1;

FIG. 3 is a left side view of the soap and scrub center shown in FIG. 1;

FIG. 4 is a front view of the soap and scrub center shown in FIG. 1;

FIG. 5 is a right side view of the soap and scrub center shown in FIG. 1;

FIG. 6 is a rear view of the soap and scrub center shown in FIG. 1; and,

FIG. 7 is a bottom view of the soap and scrub center shown in FIG. 1.

(56) **References Cited**

U.S. PATENT DOCUMENTS

D200,290 S	*	2/1965	Turner	D6/525
D417,469 S	*	12/1999	Avery et al.	D6/525
D423,265 S	*	4/2000	Azo	D6/525
D478,232 S		8/2003	Dretzka		

1 Claim, 3 Drawing Sheets

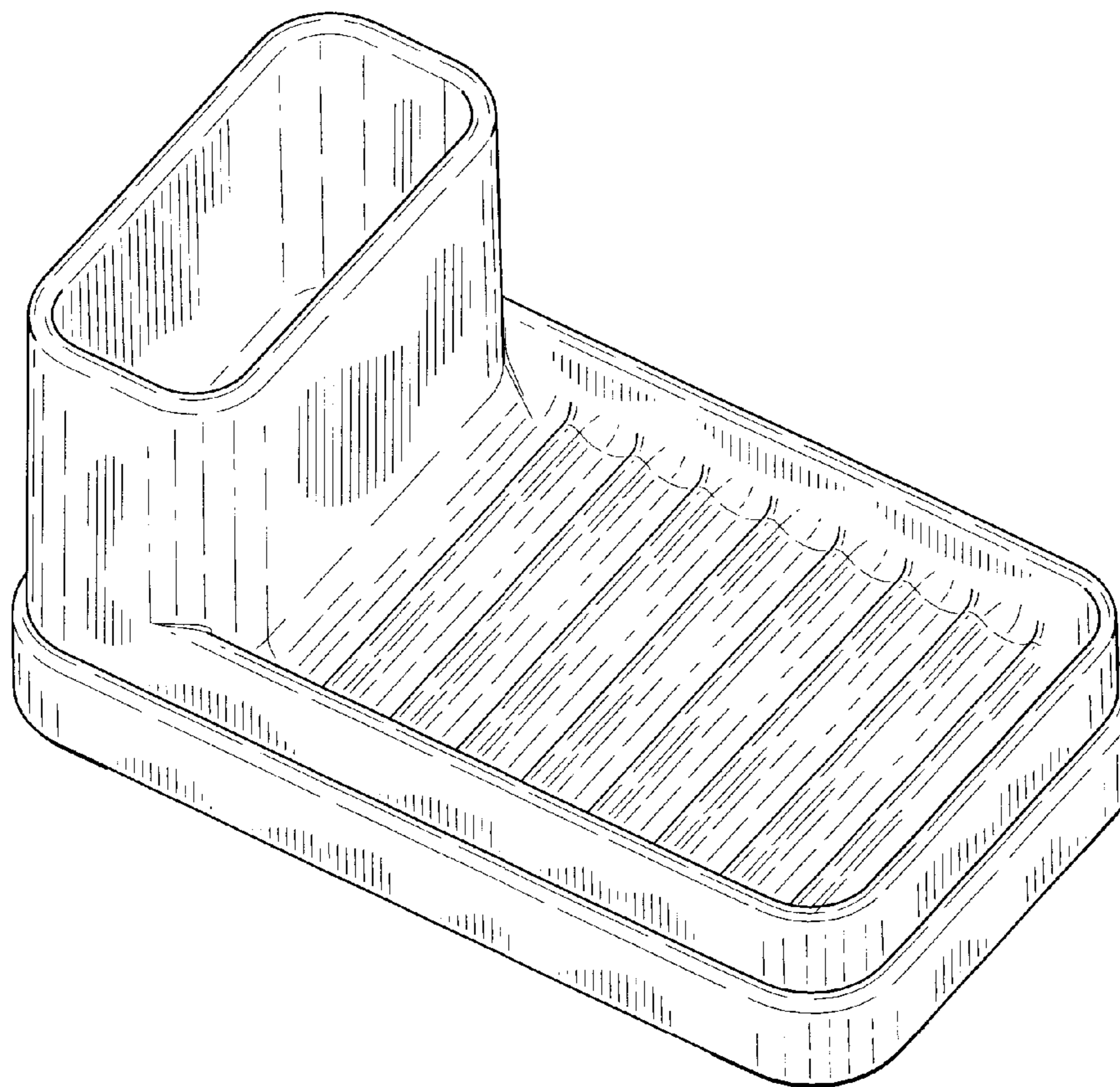
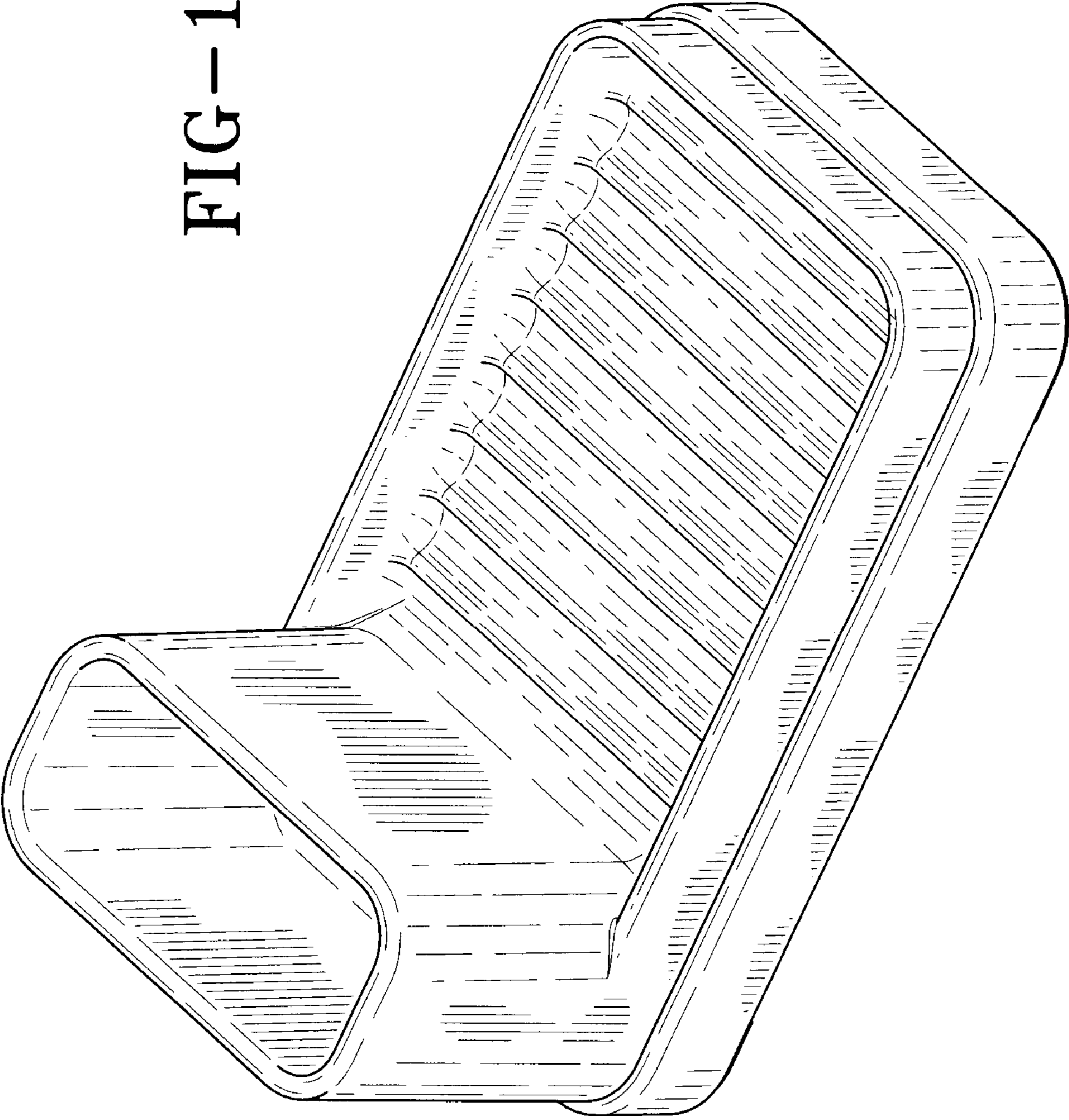


FIG-1



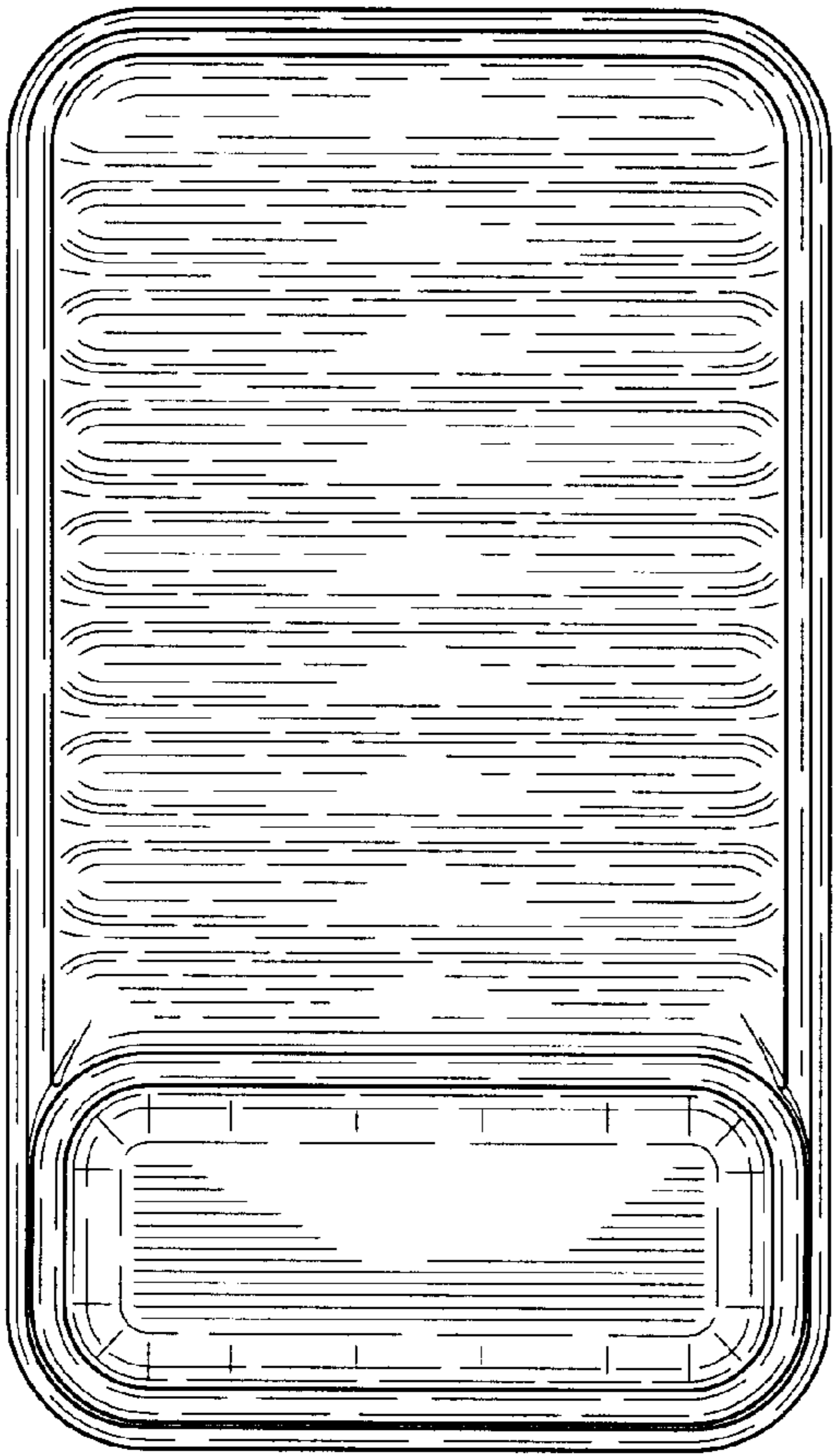


FIG-2

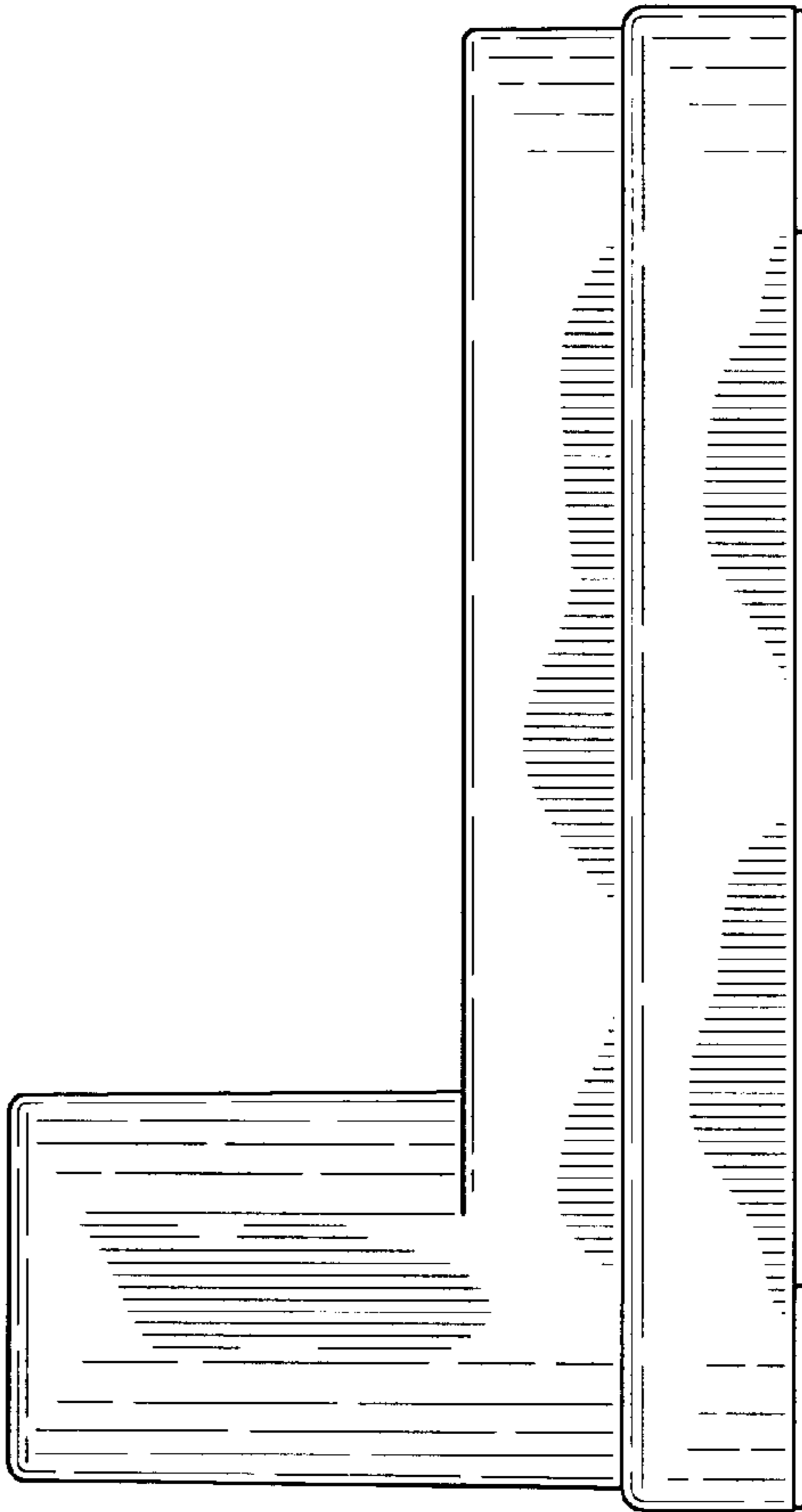


FIG-3

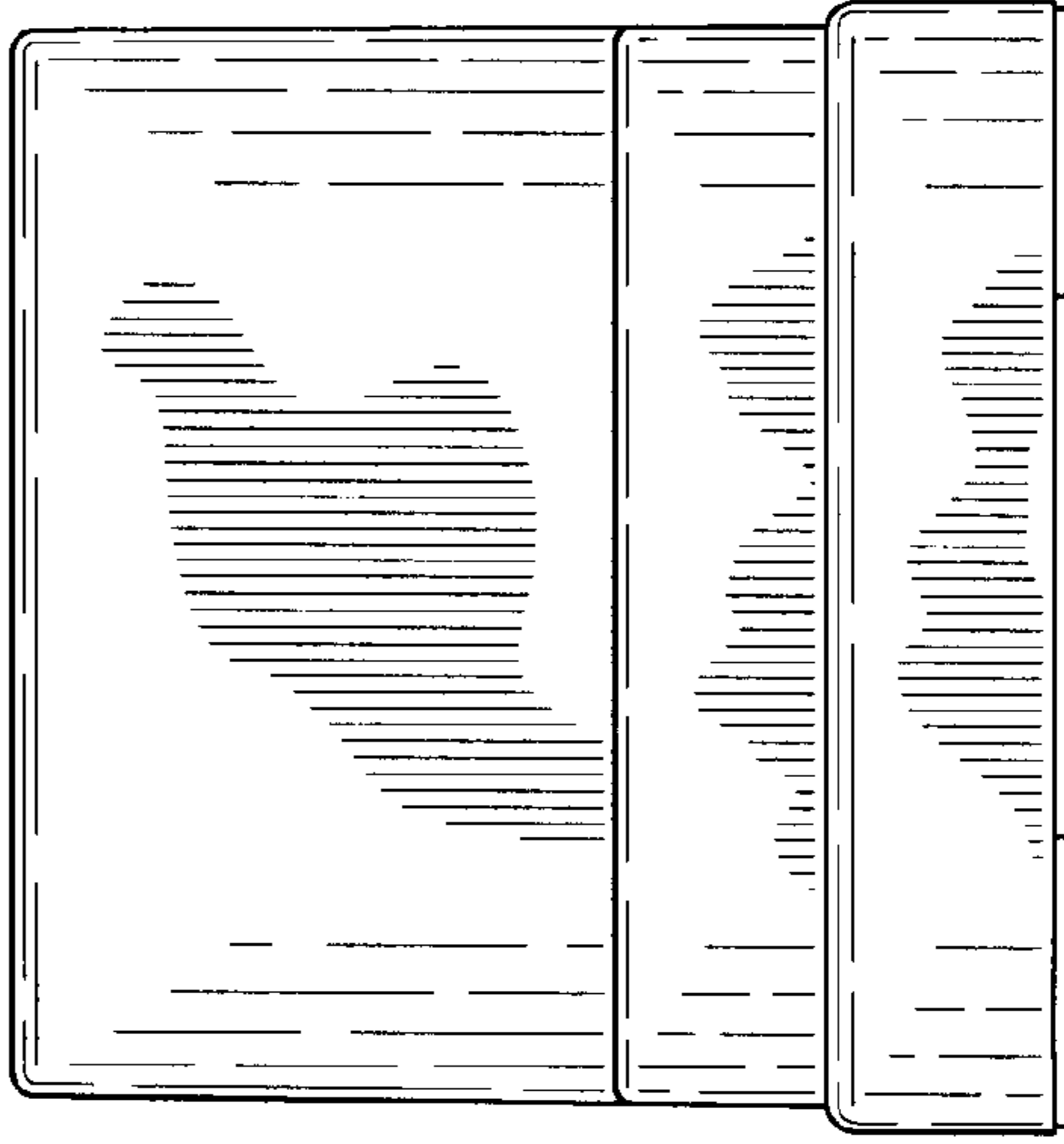


FIG-4

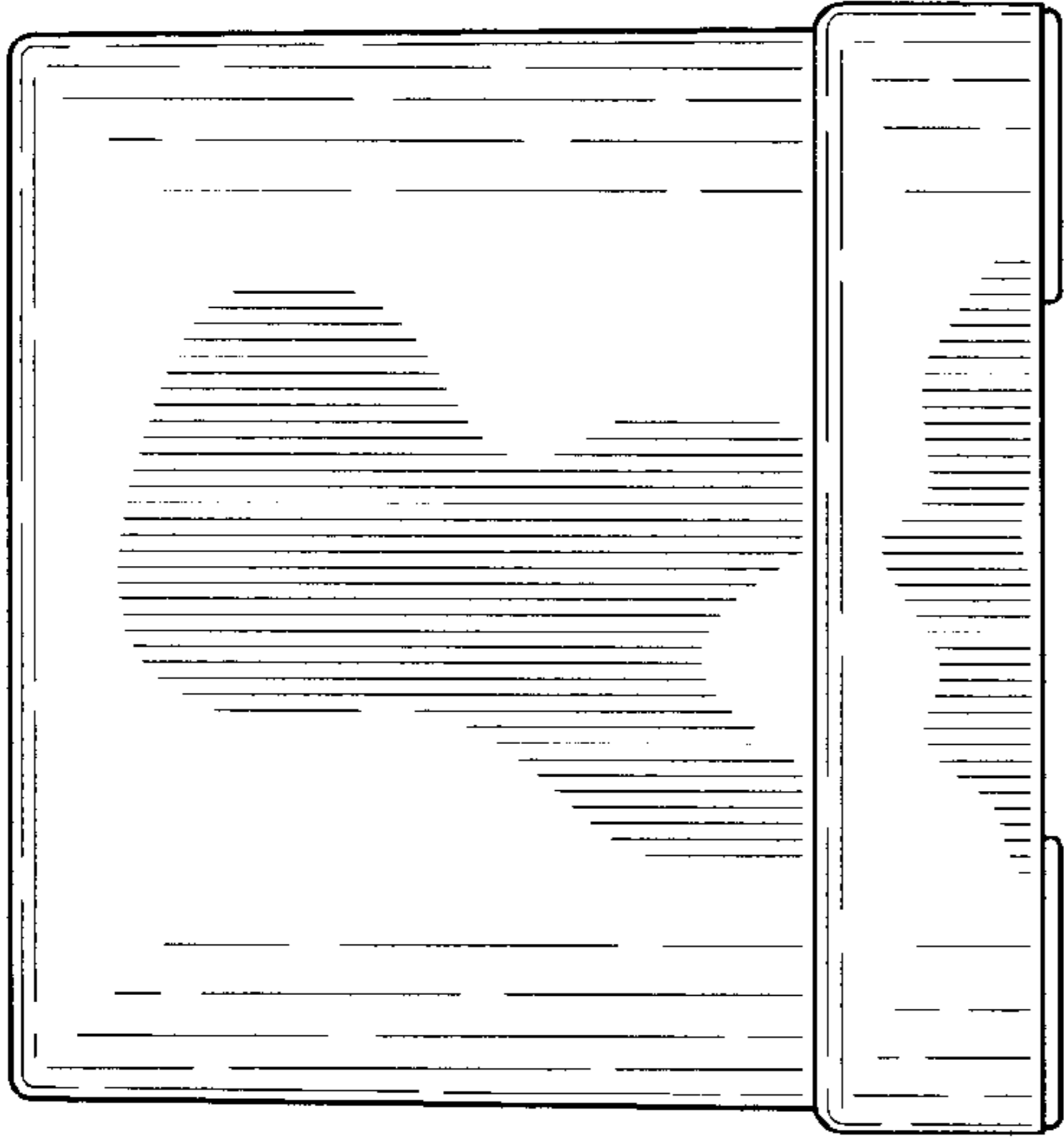


FIG-6

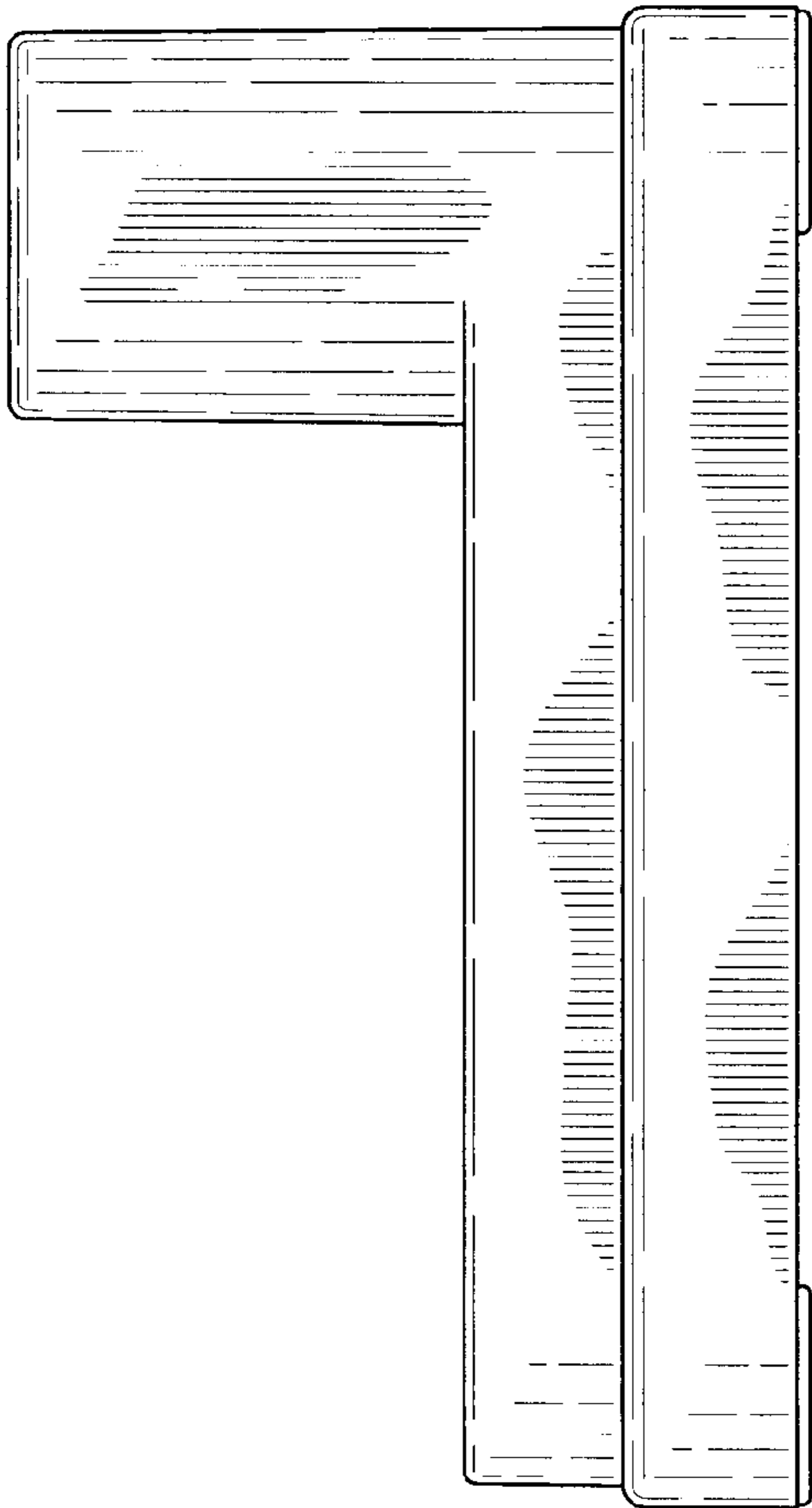


FIG-5

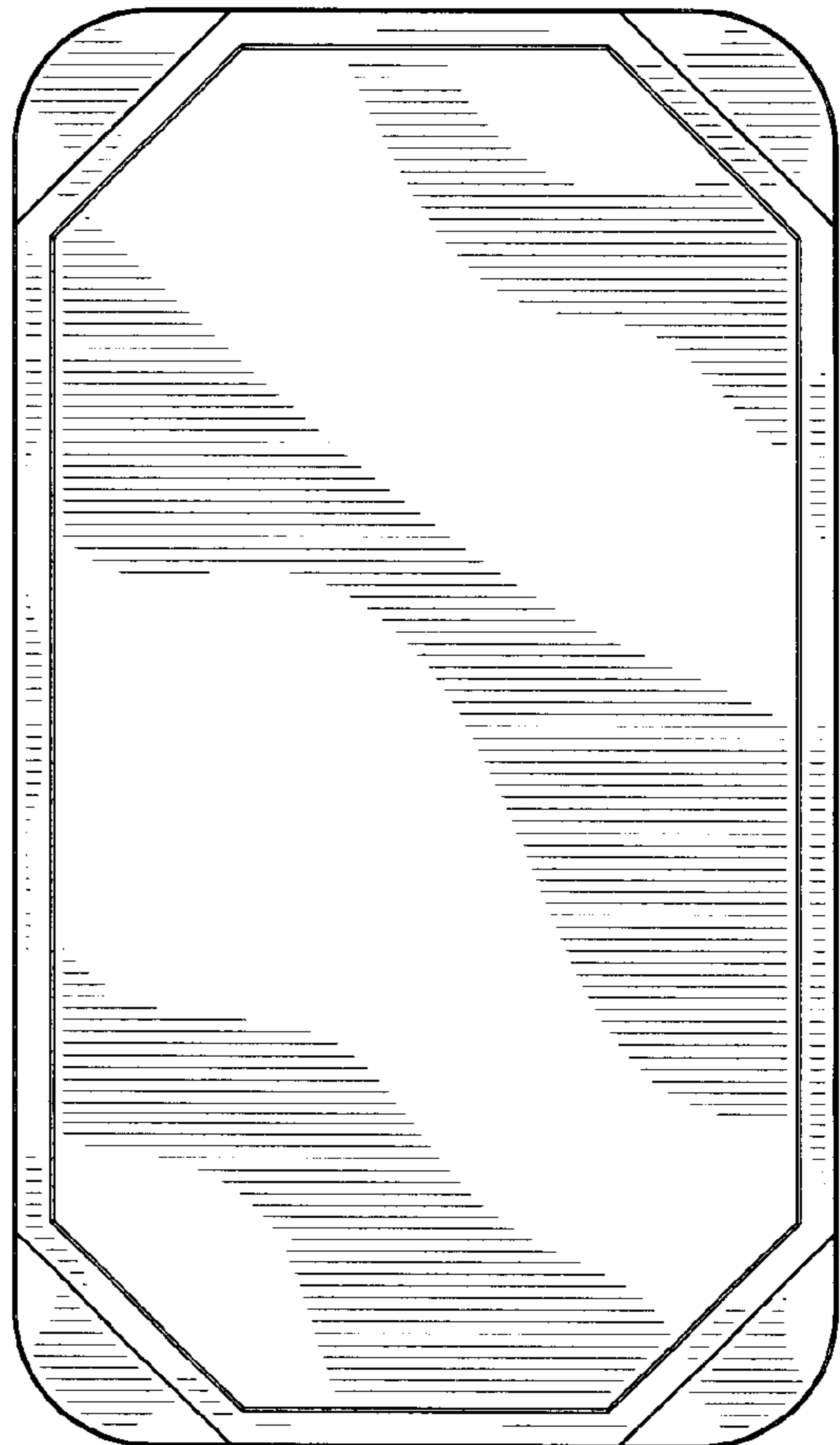


FIG-7