



US00D532229S

(12) **United States Design Patent**
Hoernig et al.

(10) **Patent No.:** **US D532,229 S**

(45) **Date of Patent:** **** Nov. 21, 2006**

(54) **TOILET TISSUE ROLL HOLDER TUBE**

(75) Inventors: **Victor Hoernig**, Lowell, IN (US); **Ray Smith**, Monroe, NC (US)

(73) Assignee: **Masco Product Design, Inc.**, Chicago, IL (US)

(**) Term: **14 Years**

(21) Appl. No.: **29/245,298**

(22) Filed: **Dec. 21, 2005**

(51) **LOC (8) Cl.** **23-02**

(52) **U.S. Cl.** **D6/523**

(58) **Field of Classification Search** D6/518-523;
242/570, 571, 572, 590, 596, 598, 599.1,
242/599.3, 600, 598.3

See application file for complete search history.

(56) **References Cited**

U.S. PATENT DOCUMENTS

2,522,109 A * 9/1950 Foltis 242/599.3
D296,963 S * 8/1988 Smallwood D6/523

D324,618 S * 3/1992 Morand D6/523
5,340,047 A * 8/1994 Heller 242/599.1
D405,305 S * 2/1999 Hobgood D6/523
D422,819 S * 4/2000 Fong D6/523
D427,828 S * 7/2000 Senecal, Jr. D6/523

* cited by examiner

Primary Examiner—Brian N Vinson

(74) *Attorney, Agent, or Firm*—Kwadjo Adusei-Poku;
Lloyd D. Doigan

(57) **CLAIM**

The ornamental design for a toilet tissue roll holder tube, as shown and described.

DESCRIPTION

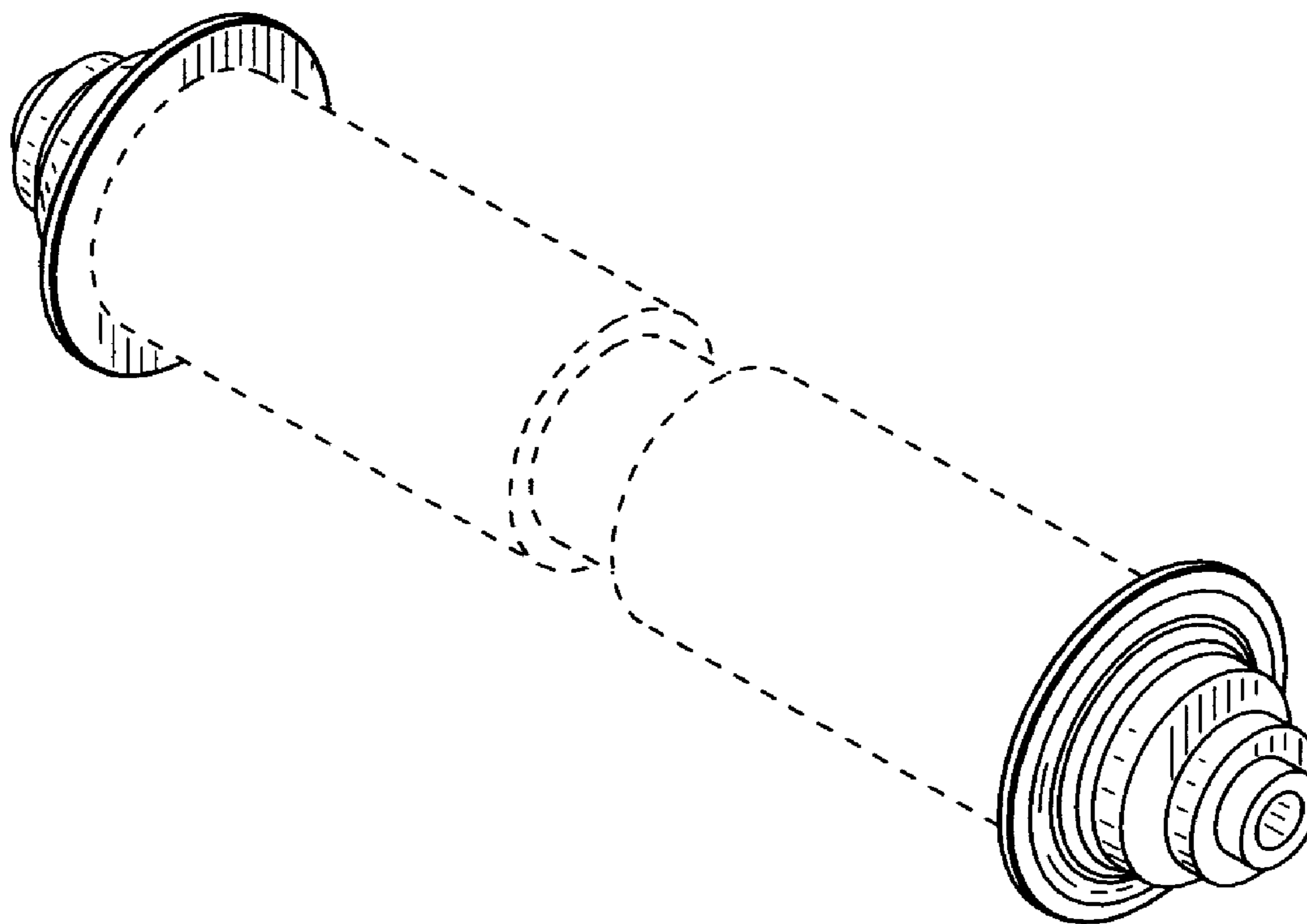
FIG. 1 is a front perspective view of a toilet tissue roll holder tube showing our design;

FIG. 2 is an elevational view thereof; and,

FIG. 3 is a left side elevational view thereof; the right side elevational view being a mirror image thereof.

The broken lines in the Figures are for illustrative purposes only and form no part of the claimed design.

1 Claim, 1 Drawing Sheet



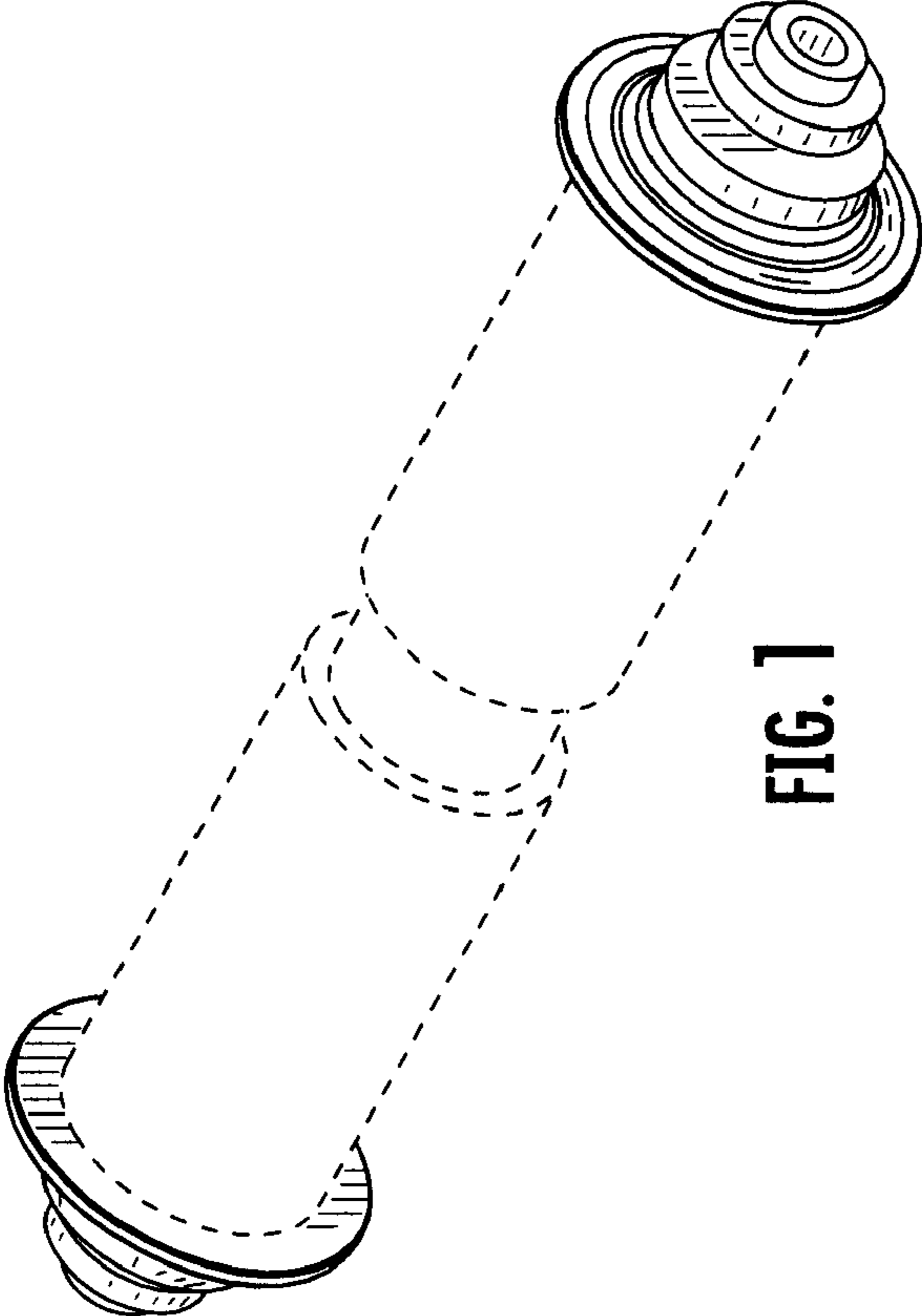


FIG. 1

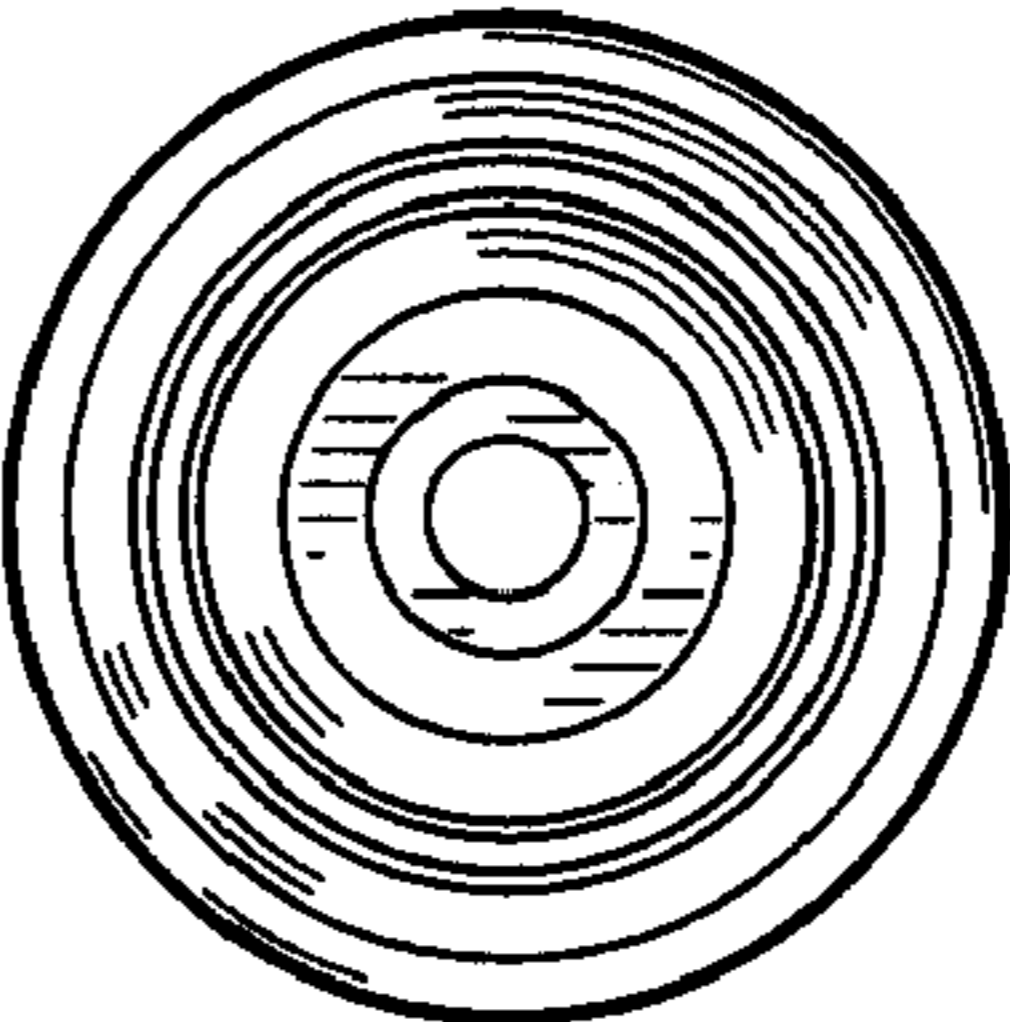


FIG. 3

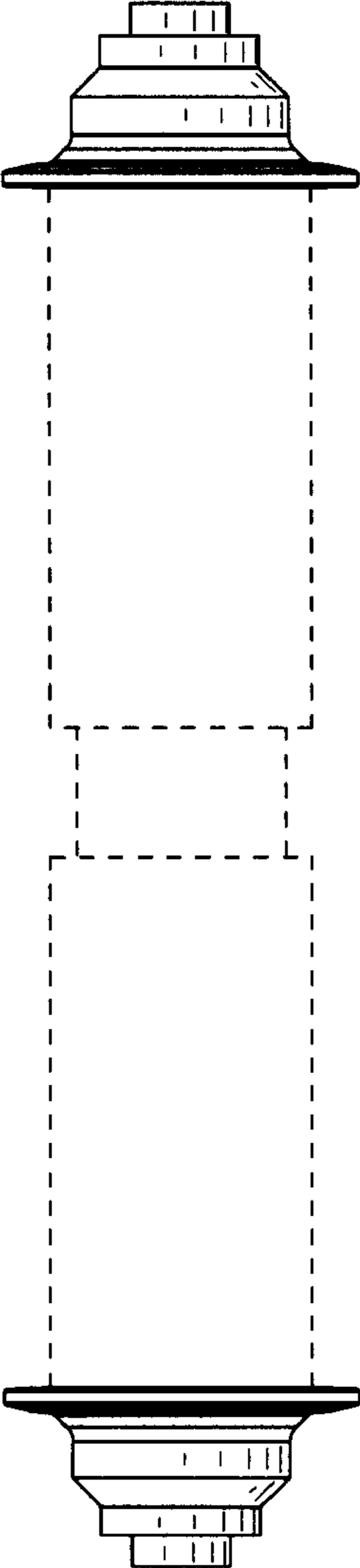


FIG. 2