



US00D532225S

(12) **United States Design Patent**  
**Egger**

(10) **Patent No.:** **US D532,225 S**

(45) **Date of Patent:** **\*\* Nov. 21, 2006**

(54) **SEAT AND BACK REST FOR A CHAIR**

(75) Inventor: **Julien Egger**, Santa Monica, CA (US)

(73) Assignee: **True Seating Concepts, LLC** (MU)

(\*\*) Term: **14 Years**

(21) Appl. No.: **29/243,752**

(22) Filed: **Dec. 1, 2005**

(51) **LOC (8) Cl.** ..... **06-01**

(52) **U.S. Cl.** ..... **D6/500; D6/366**

(58) **Field of Classification Search** ..... D6/334-335,  
D6/356, 364, 365, 366, 367, 368, 374, 500-502;  
297/452.21, 452.24, 452.26, 452.32, 452.33,  
297/452.37, 452.48

See application file for complete search history.

(56) **References Cited**

**U.S. PATENT DOCUMENTS**

D494,788 S	*	8/2004	True	.....	D6/500
D508,351 S	*	8/2005	True	.....	D8/500
D510,215 S	*	10/2005	True	.....	D6/500
D511,260 S	*	11/2005	True	.....	D6/500
D518,319 S	*	4/2006	True	.....	D6/366

\* cited by examiner

*Primary Examiner*—Mimosa De

(74) *Attorney, Agent, or Firm*—Morland C. Fischer

(57) **CLAIM**

The ornamental design for a seat and back rest for a chair, as shown and described.

**DESCRIPTION**

FIG. 1 is a perspective view showing the top, left side and front of a seat and back rest for a chair which form my new design, the broken lines in this and other figures showing other parts of the chair being for illustrative purposes only and forming no part of my design;

FIG. 2 is a perspective view showing the top, left side and rear thereof;

FIG. 3 is a front elevational view thereof;

FIG. 4 is a right side elevational view thereof;

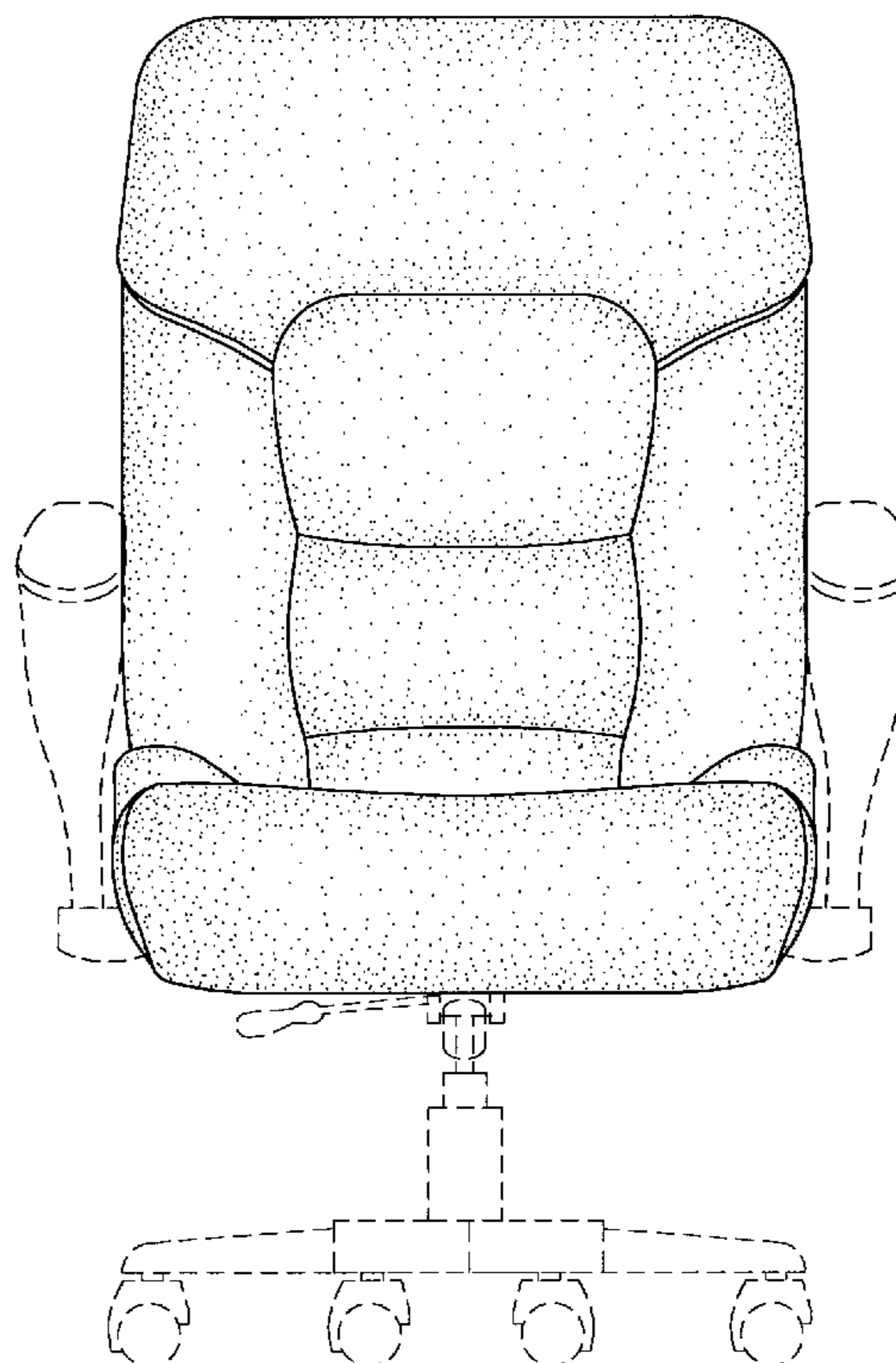
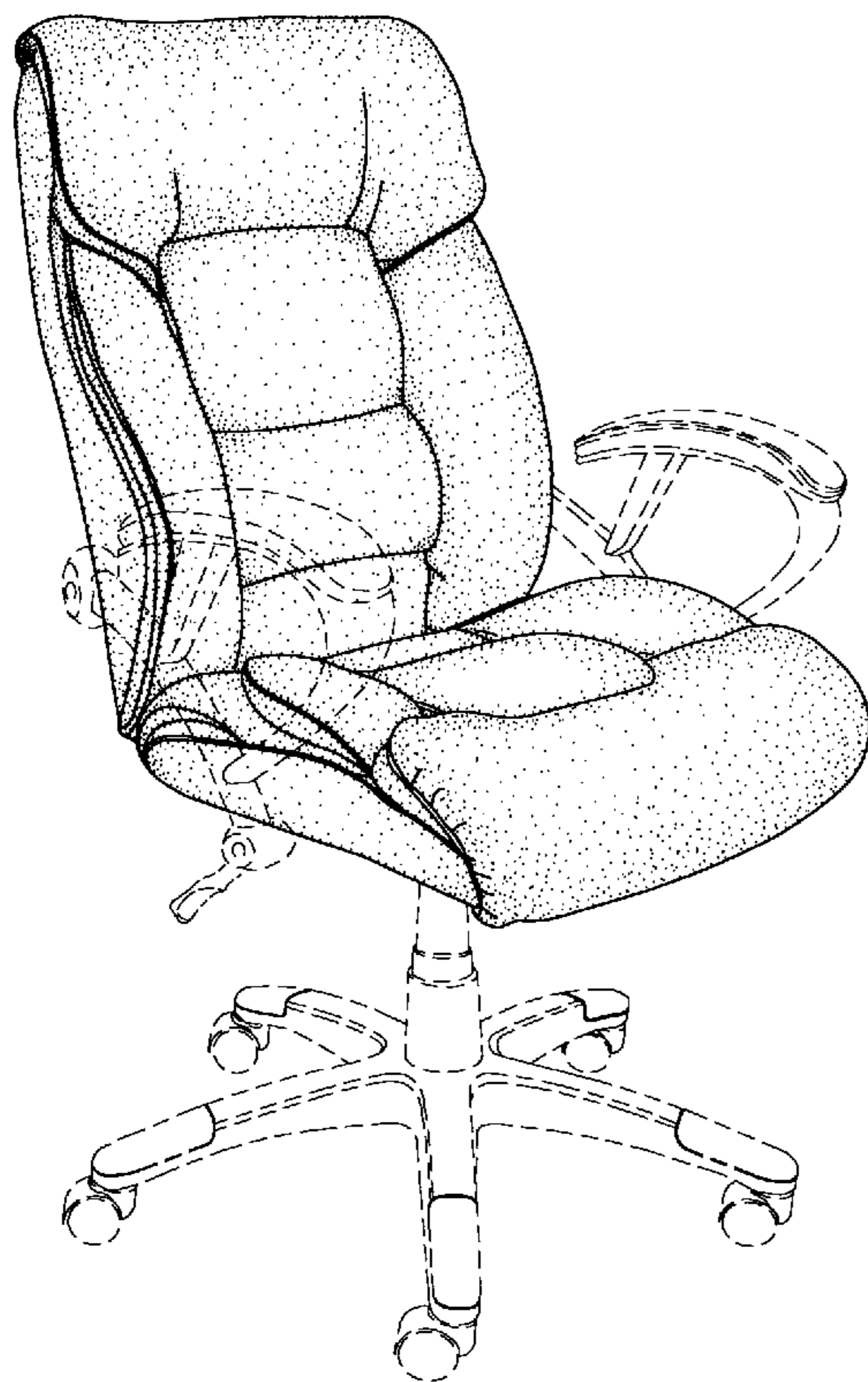
FIG. 5 is a rear elevational view thereof;

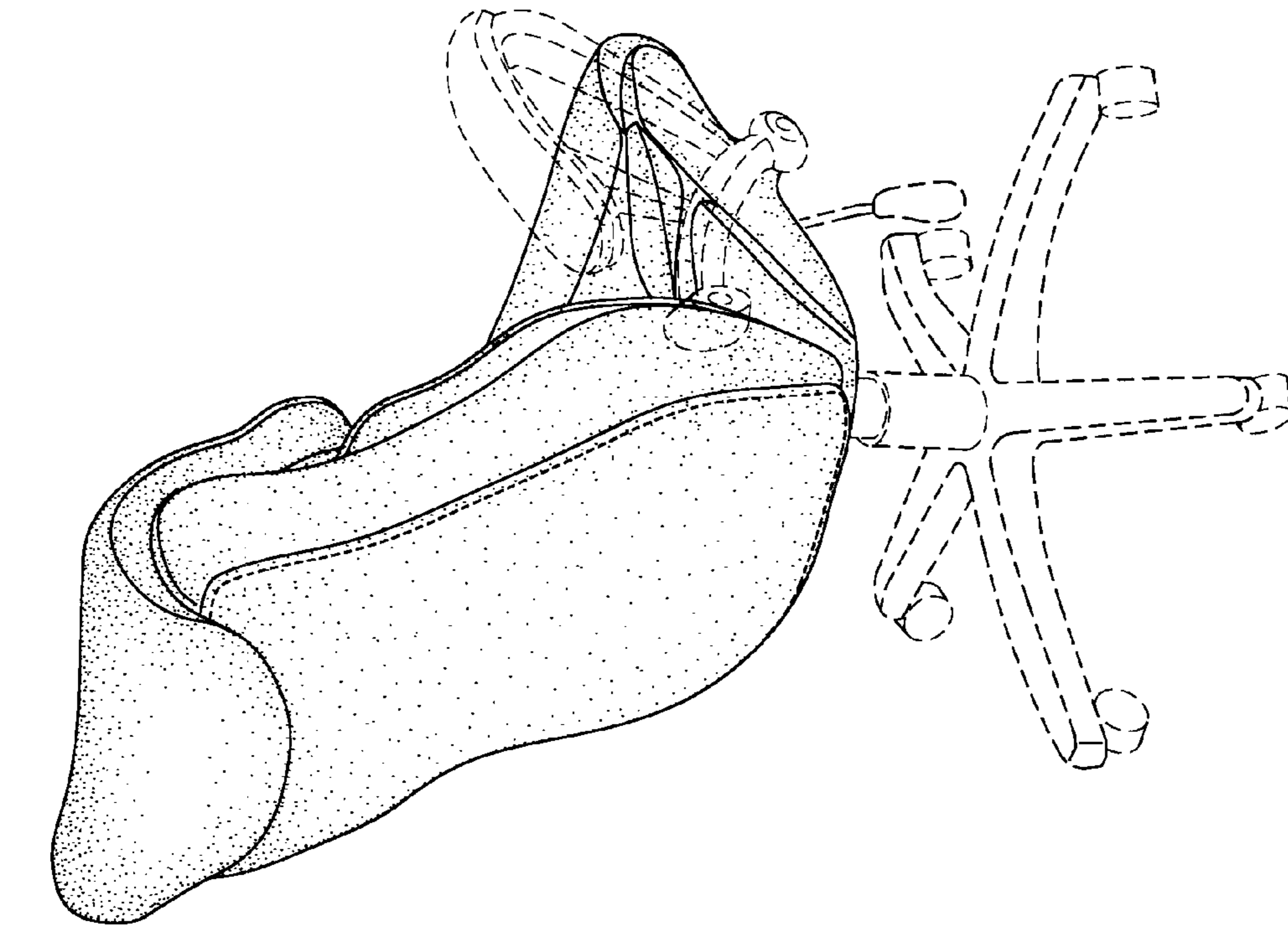
FIG. 6 is a left side elevational view thereof;

FIG. 7 is a top plan view thereof; and,

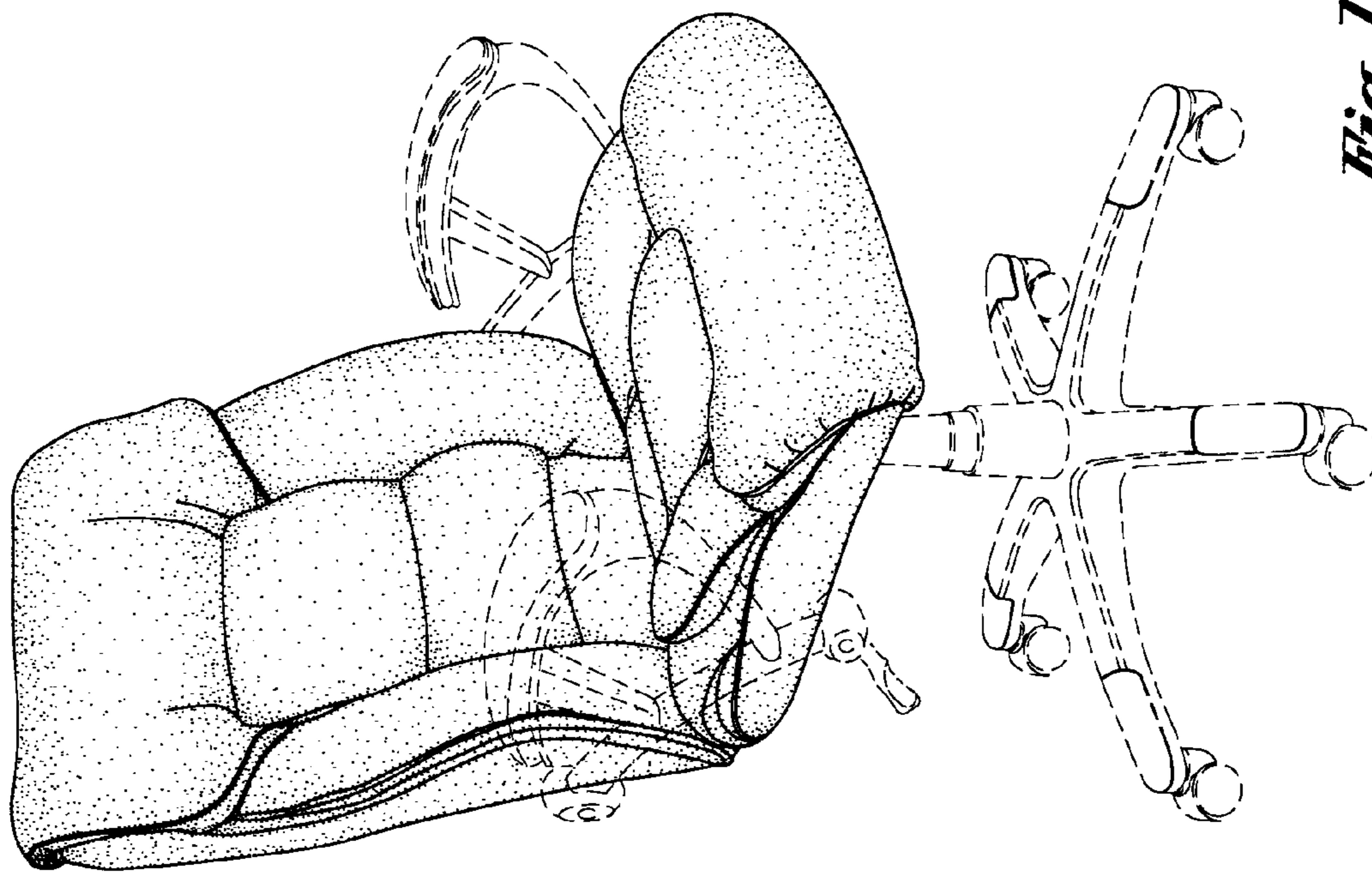
FIG. 8 is a bottom plan view thereof.

**1 Claim, 4 Drawing Sheets**

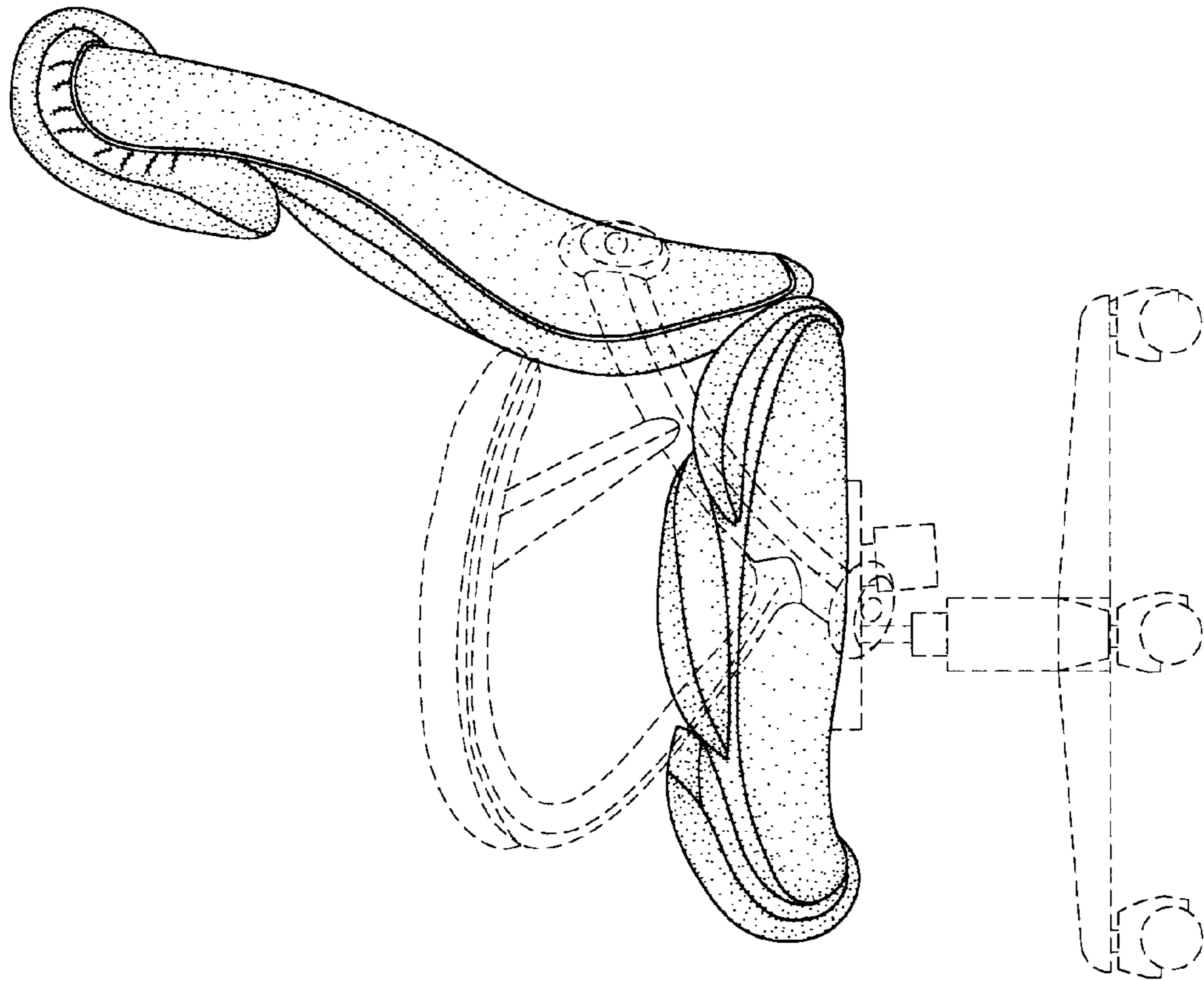




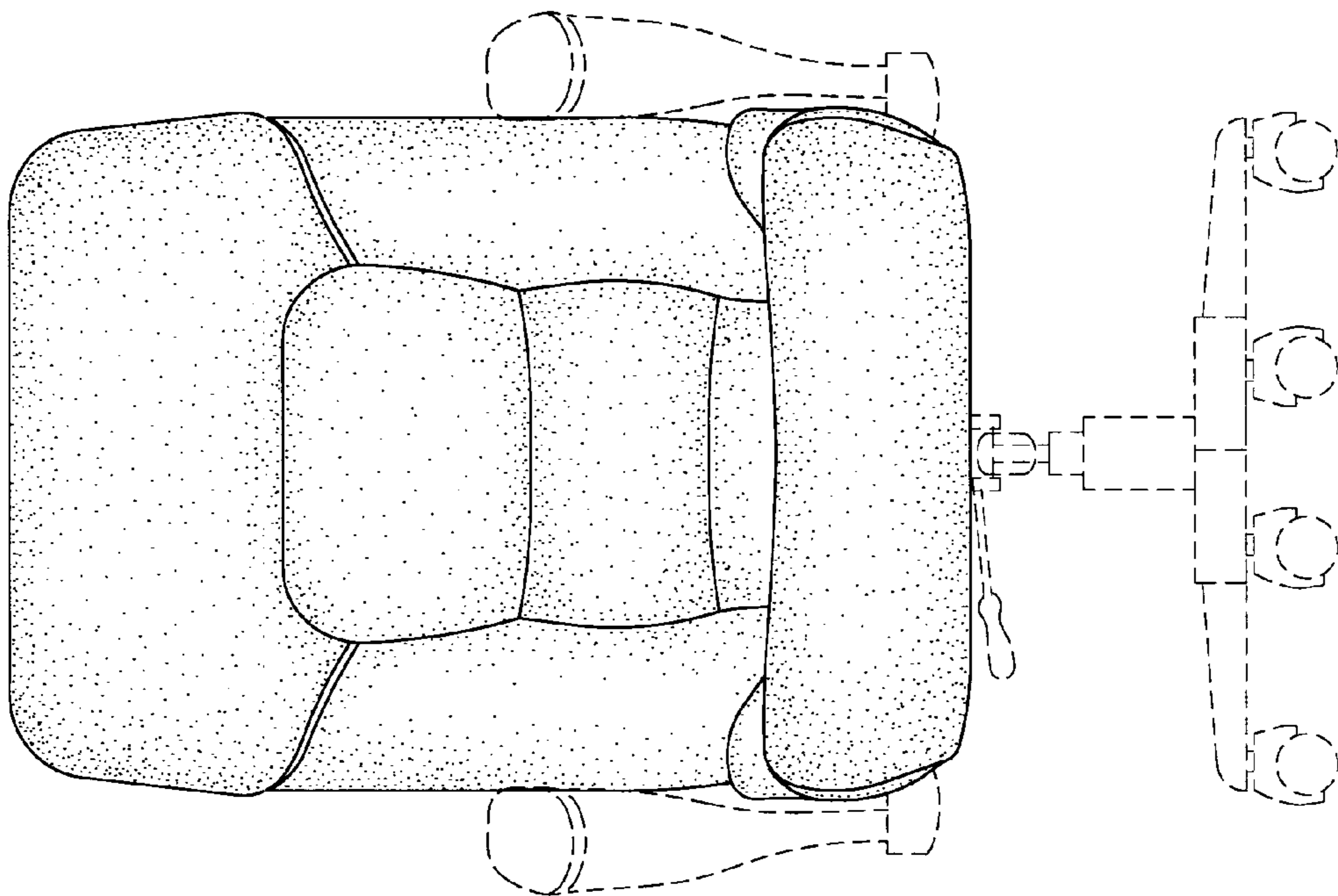
*Fig. 1*



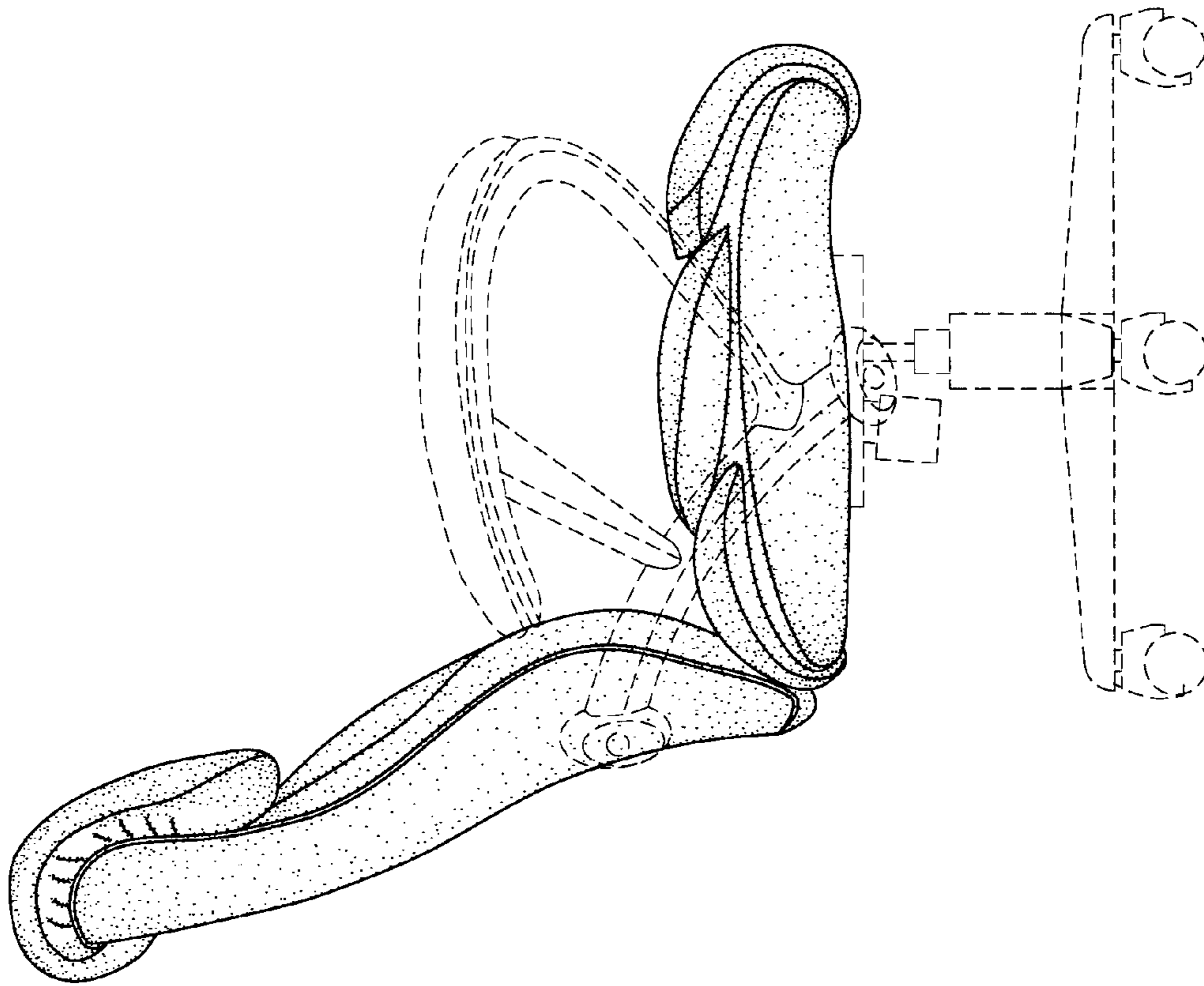
*Fig. 2*



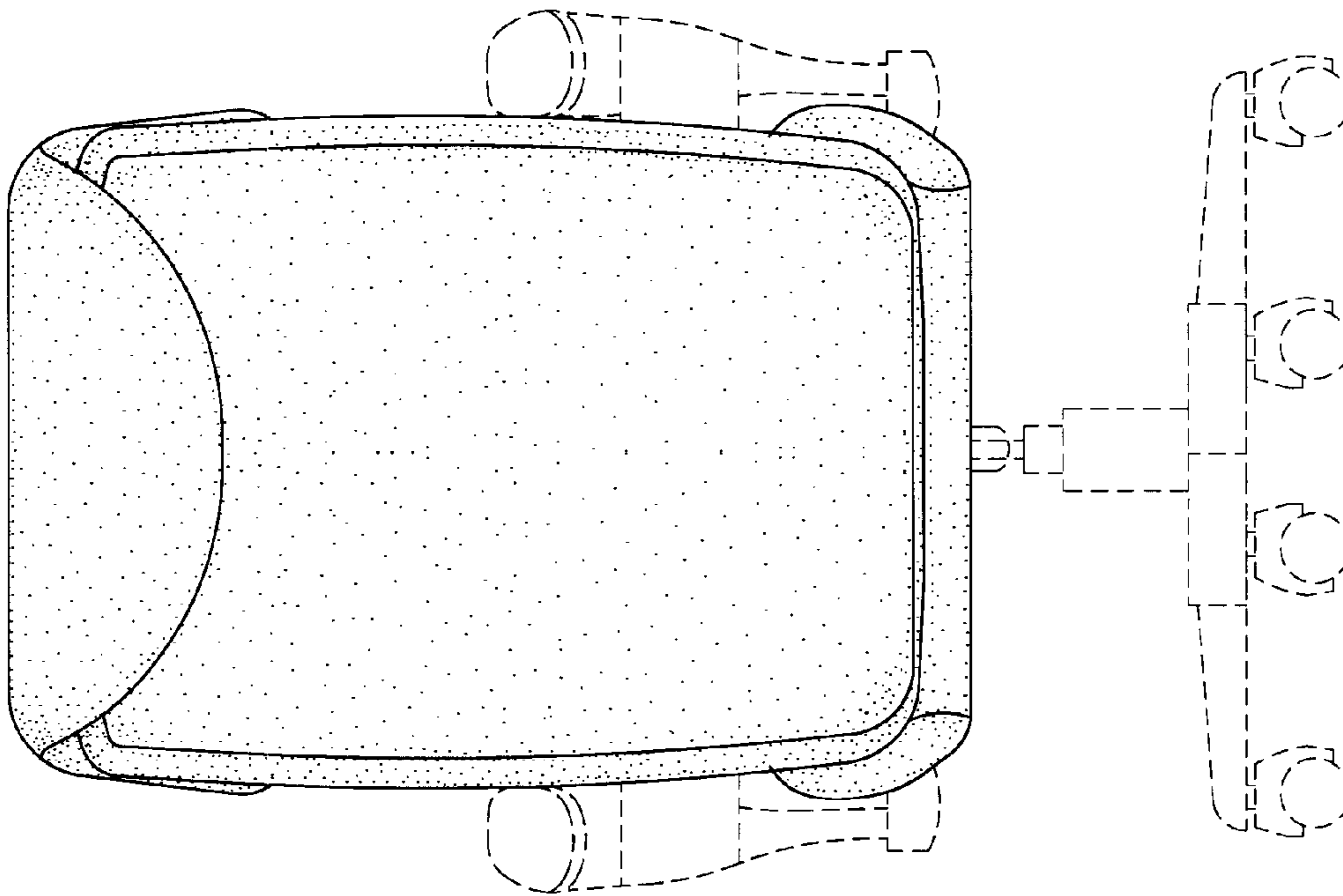
*Fig. 4*



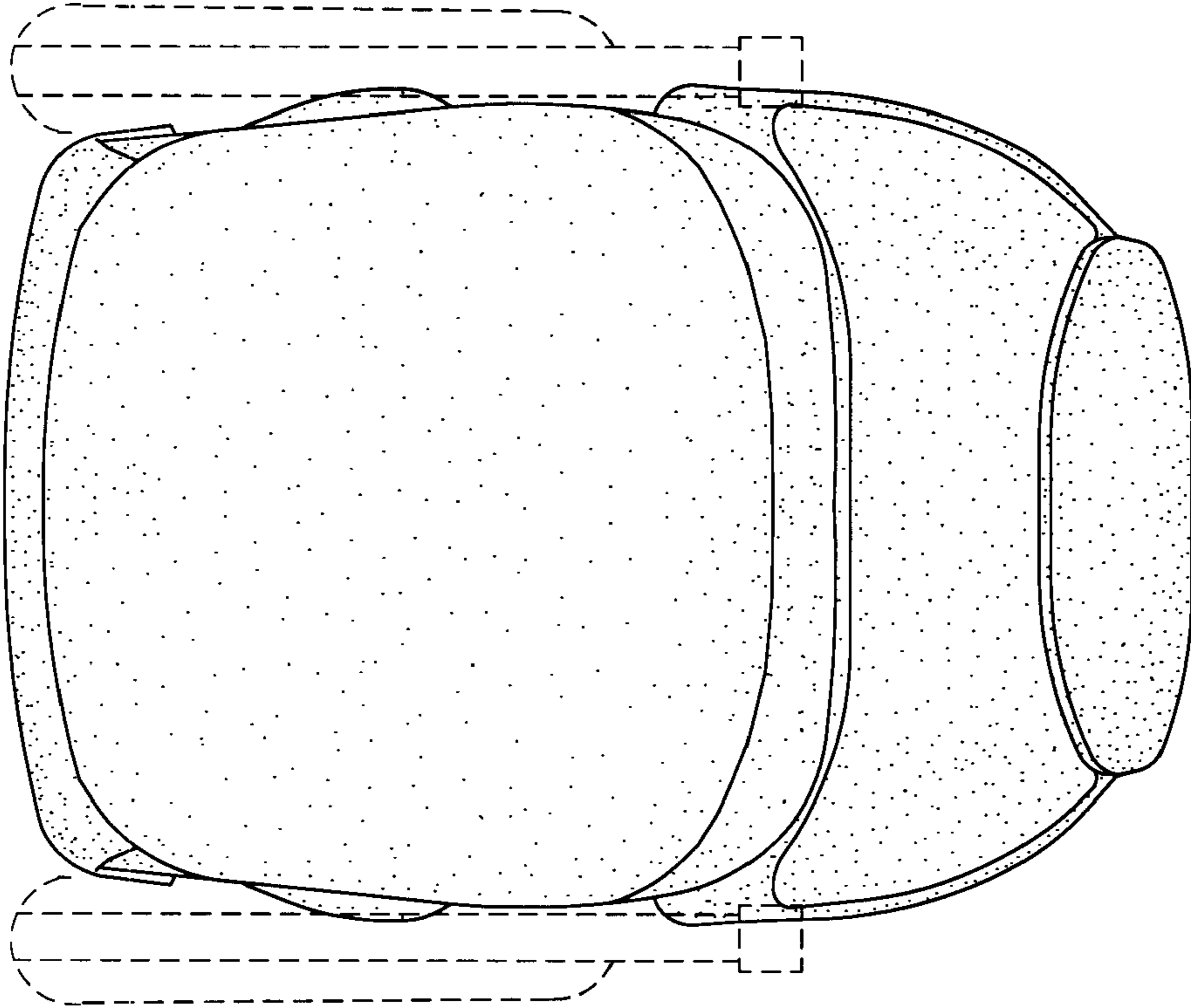
*Fig. 3*



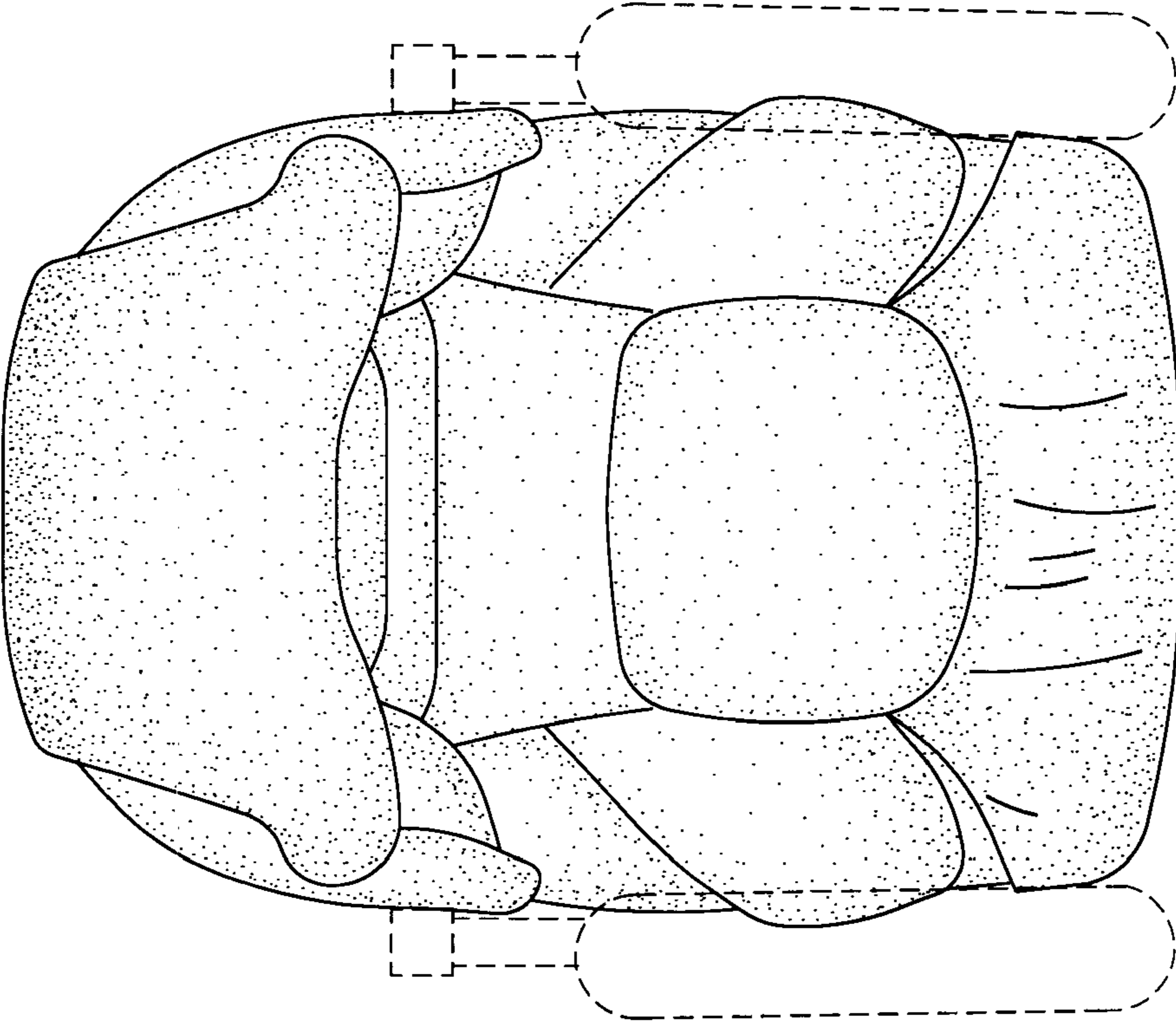
*Fig. 5*



*Fig. 6*



*Fig. 8*



*Fig. 7*