

US00D532224S

(12) **United States Design Patent**
Vong

(10) **Patent No.:** **US D532,224 S**

(45) **Date of Patent:** **** Nov. 21, 2006**

(54) **SEAT AND BACK REST FOR A CHAIR**

(75) Inventor: **Andy Vong**, Venice, CA (US)

(73) Assignee: **True Seating Concepts, LLC** (MU)

(**) Term: **14 Years**

(21) Appl. No.: **29/236,604**

(22) Filed: **Aug. 19, 2005**

(51) **LOC (8) Cl.** **06-01**

(52) **U.S. Cl.** **D6/500; D6/366**

(58) **Field of Classification Search** D6/334-335,
D6/356, 364, 365, 366, 367, 368, 374, 500-502;
297/452.21, 452.24, 452.26, 452.32, 452.33,
297/452.37, 452.48

See application file for complete search history.

(56) **References Cited**

U.S. PATENT DOCUMENTS

D364,044 S	*	11/1995	Proietto et al.	D6/366
D371,264 S	*	7/1996	McDiarmid	D6/502
D371,465 S	*	7/1996	Stulik	D6/356
D433,853 S	*	11/2000	Shamir	D6/500
D444,955 S	*	7/2001	Su	D6/366
D480,570 S	*	10/2003	Gryp et al.	D6/356
D492,494 S	*	7/2004	Tai	D6/366
D504,040 S		4/2005	True		

D507,907 S * 8/2005 True D6/500

* cited by examiner

Primary Examiner—Mimosa De

(74) *Attorney, Agent, or Firm*—Morland C. Fischer

(57) **CLAIM**

The ornamental design for a seat and back rest for a chair, as shown and described.

DESCRIPTION

FIG. 1 is a perspective view showing the top, left side and front of a seat and back rest for a chair which forms my new design, the broken lines of other parts of the chair in this and other figures being for illustrative purposes only and forming no part of my design;

FIG. 2 is a perspective view showing the top, left side and rear thereof;

FIG. 3 is a front elevational view;

FIG. 4 is a right side elevational view thereof;

FIG. 5 is a rear elevational view thereof;

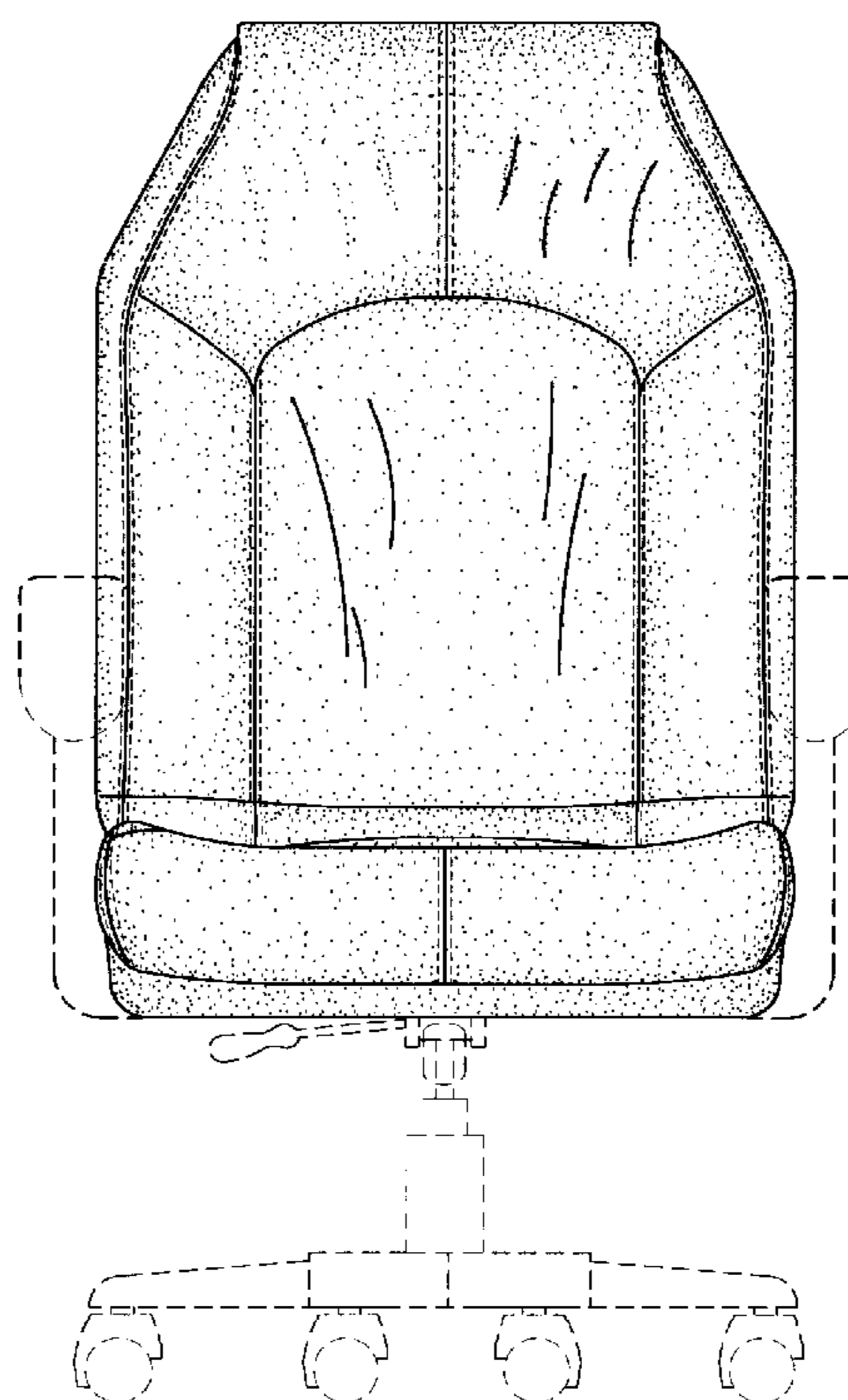
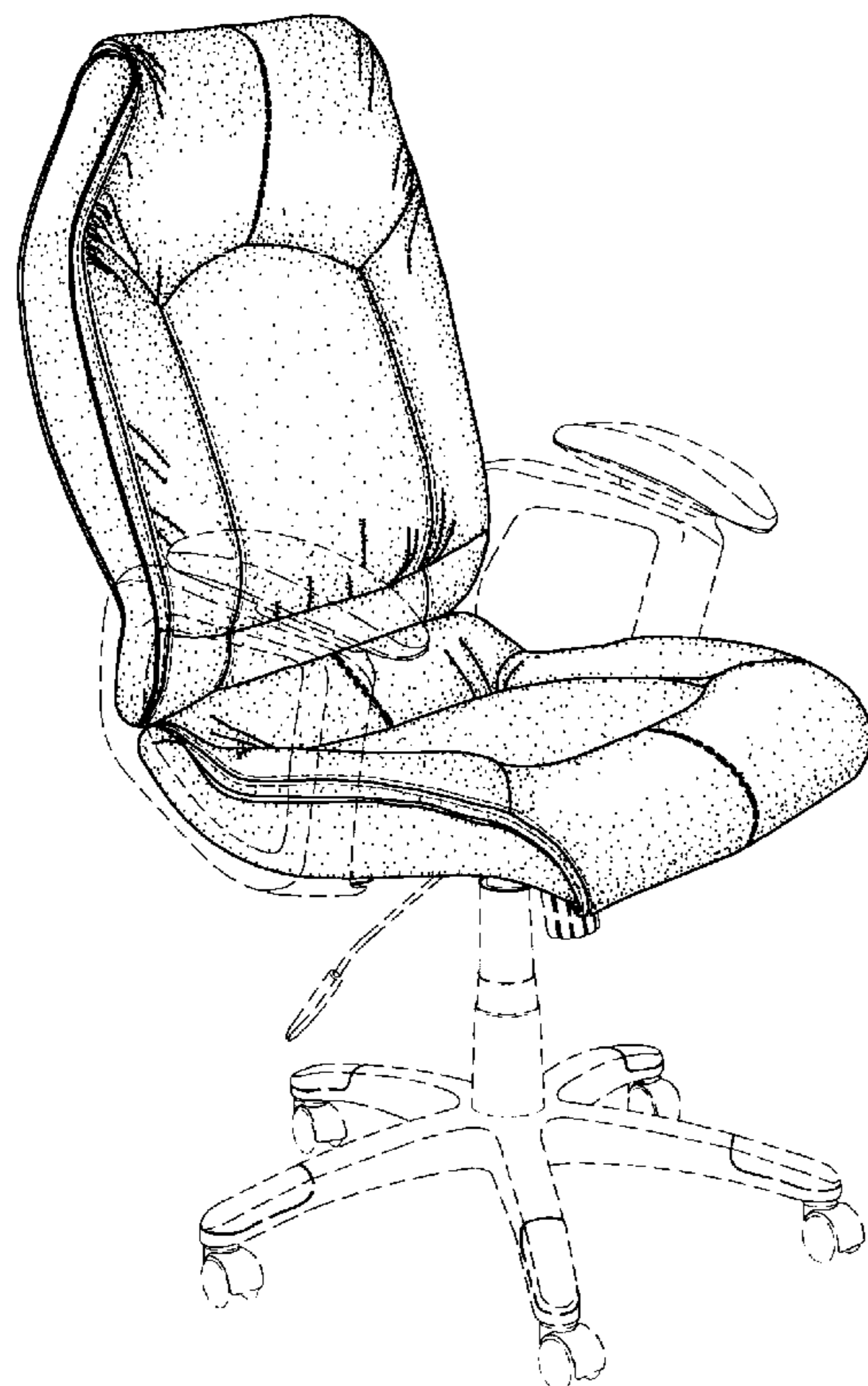
FIG. 6 is a left side elevational view thereof;

FIG. 7 is a top plan view thereof; and,

FIG. 8 is a bottom plan view thereof.

The short broken lines shown on the seat and back rest in FIGS. 1, 2, and 3 are understood to represent stitching.

1 Claim, 4 Drawing Sheets



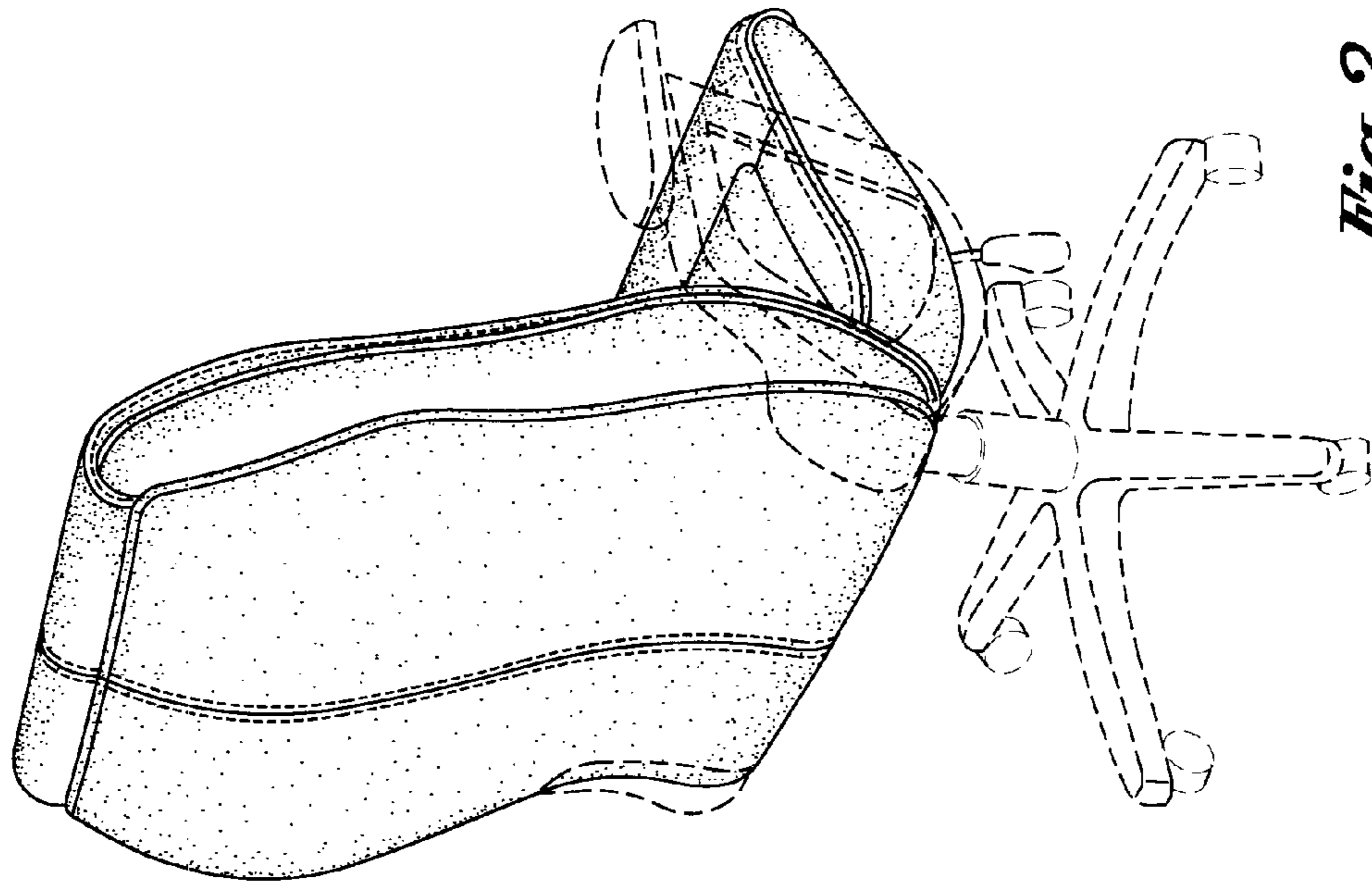


Fig. 2

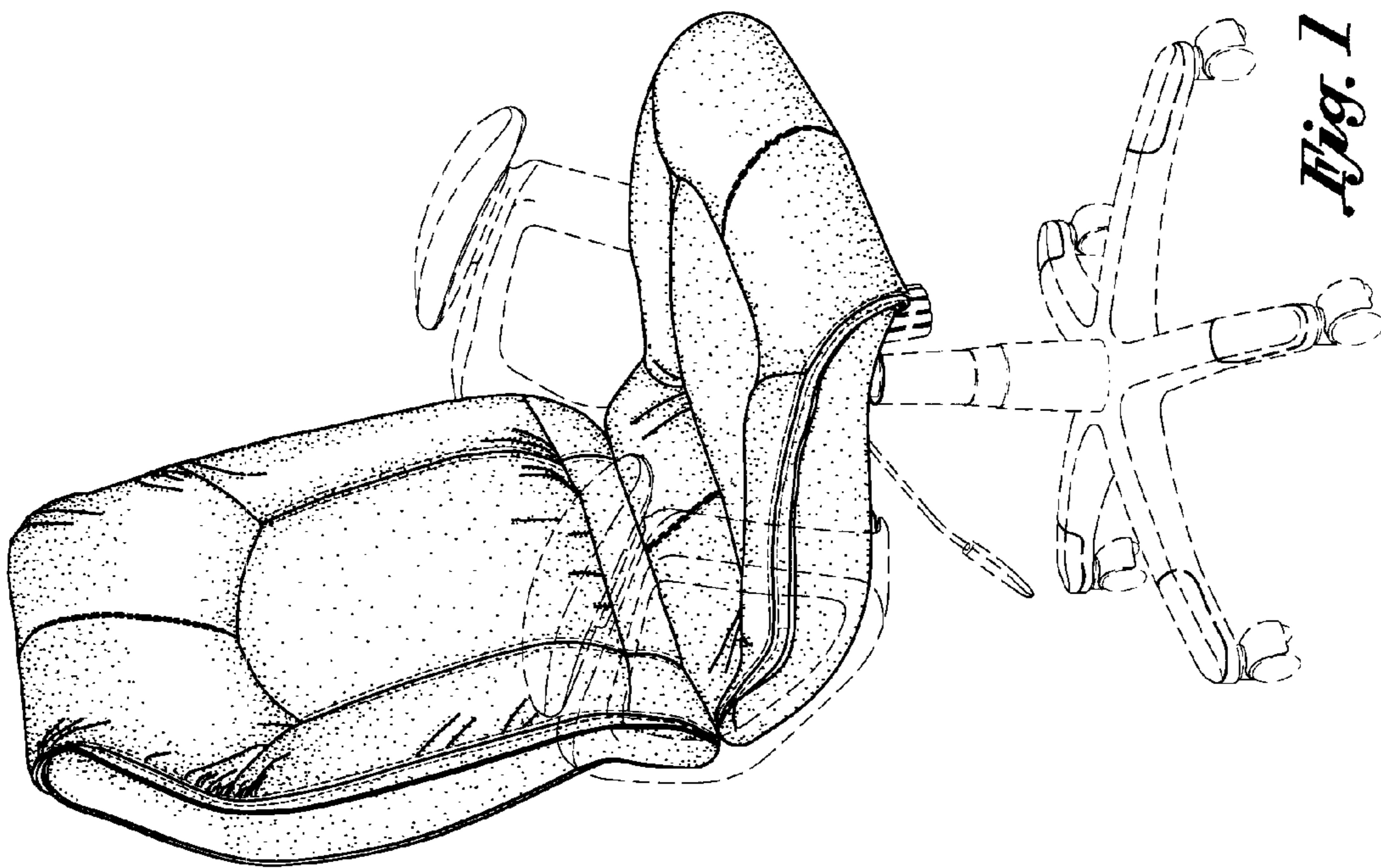


Fig. 1

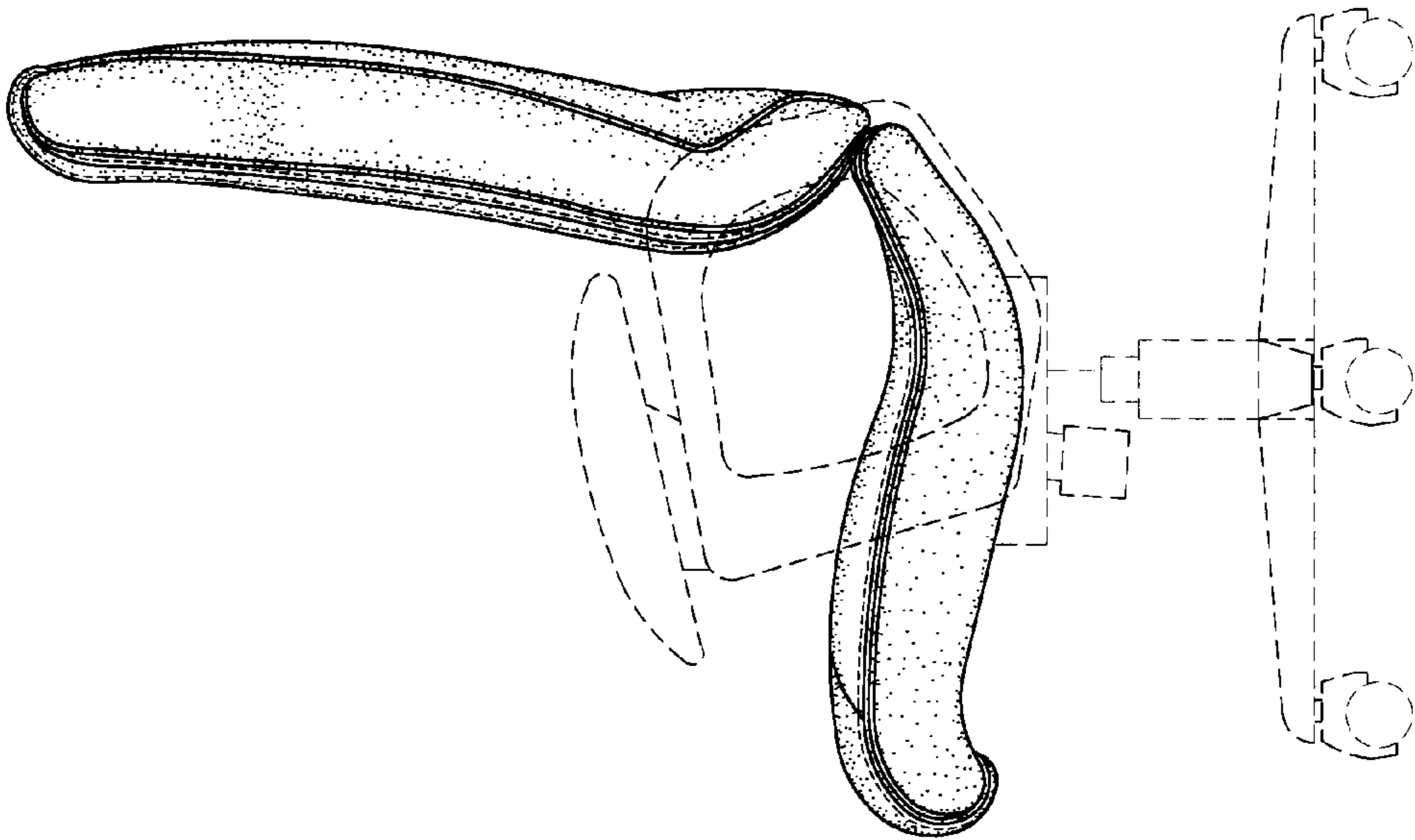


Fig. 4

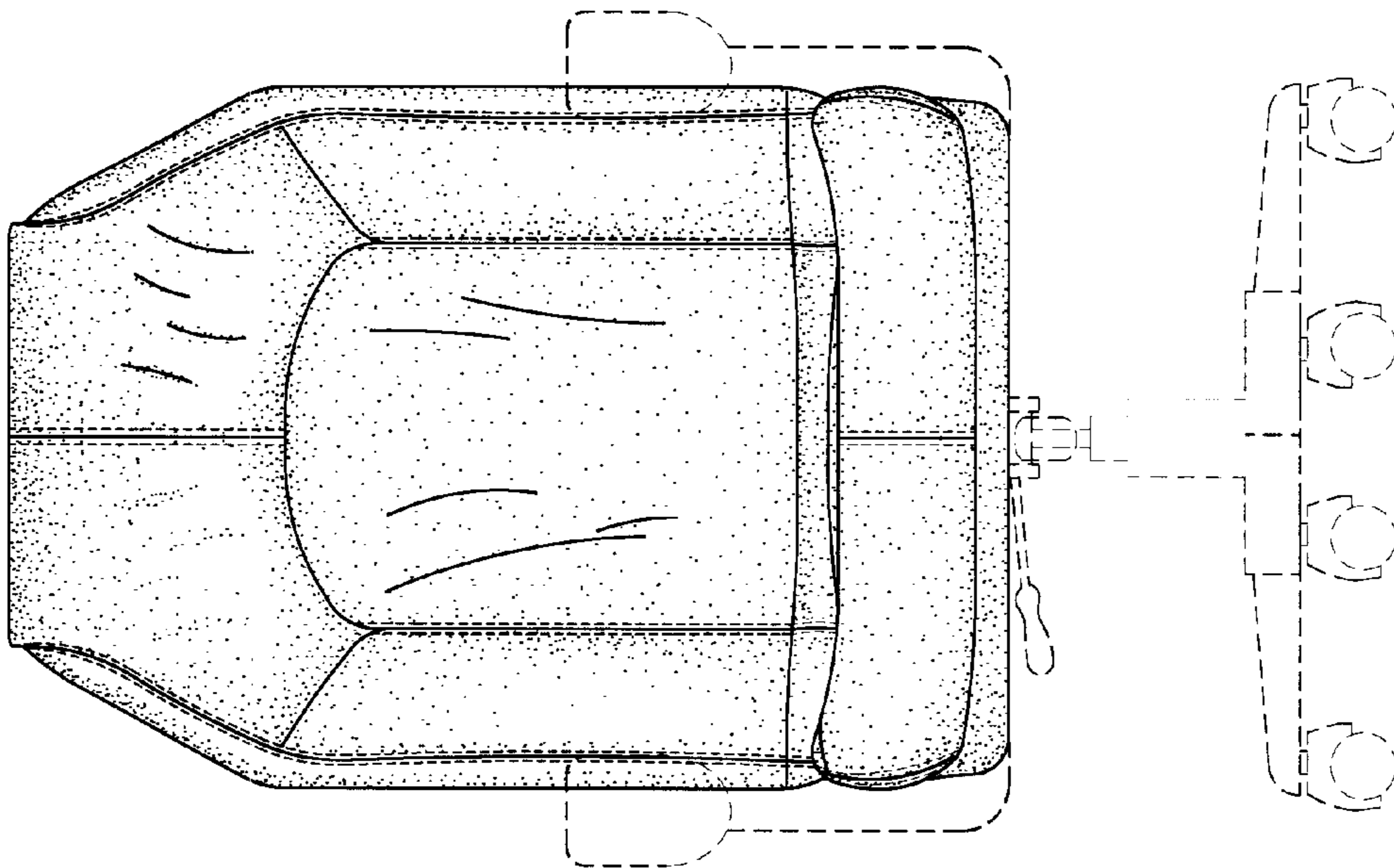


Fig. 3

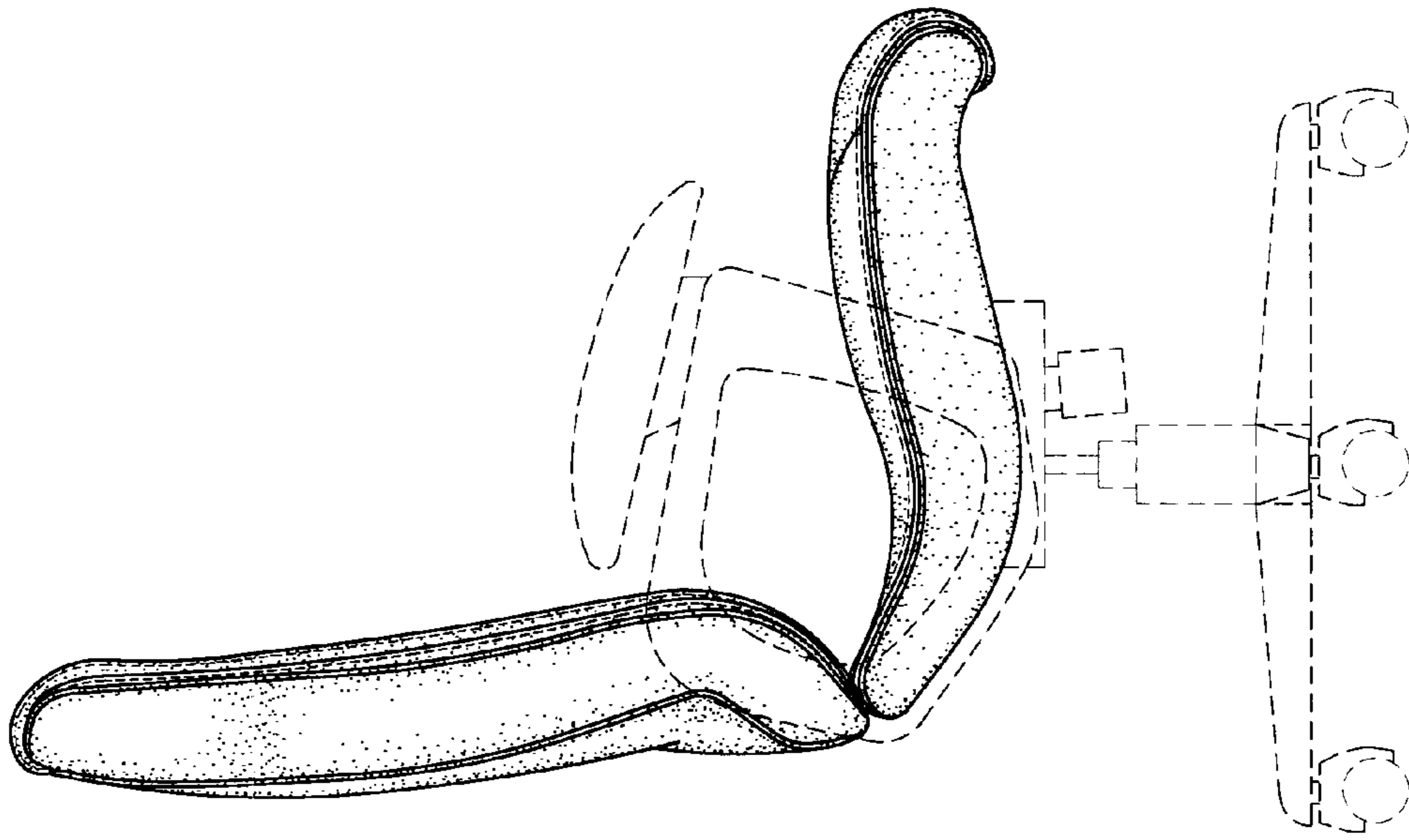


Fig. 5

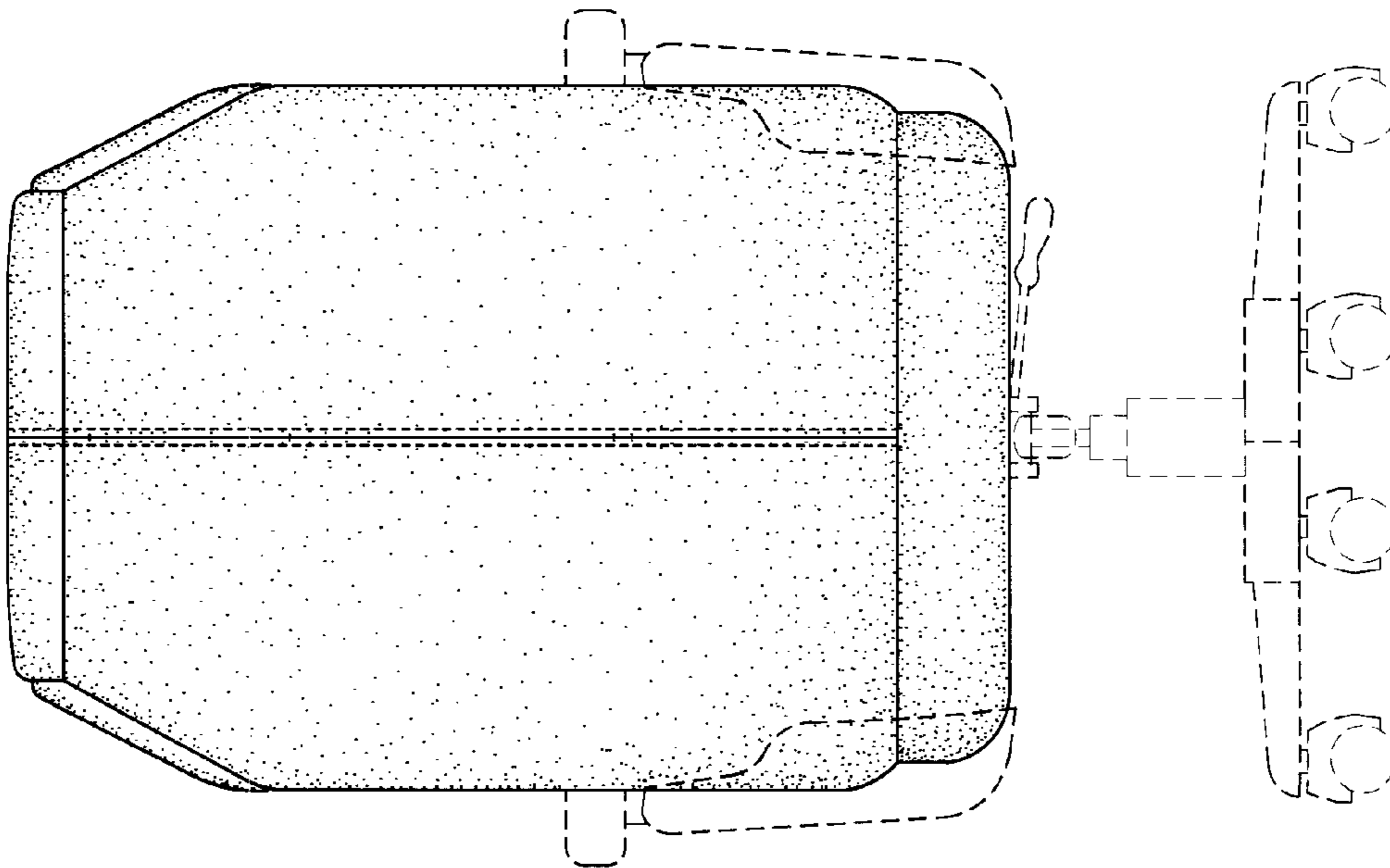


Fig. 6

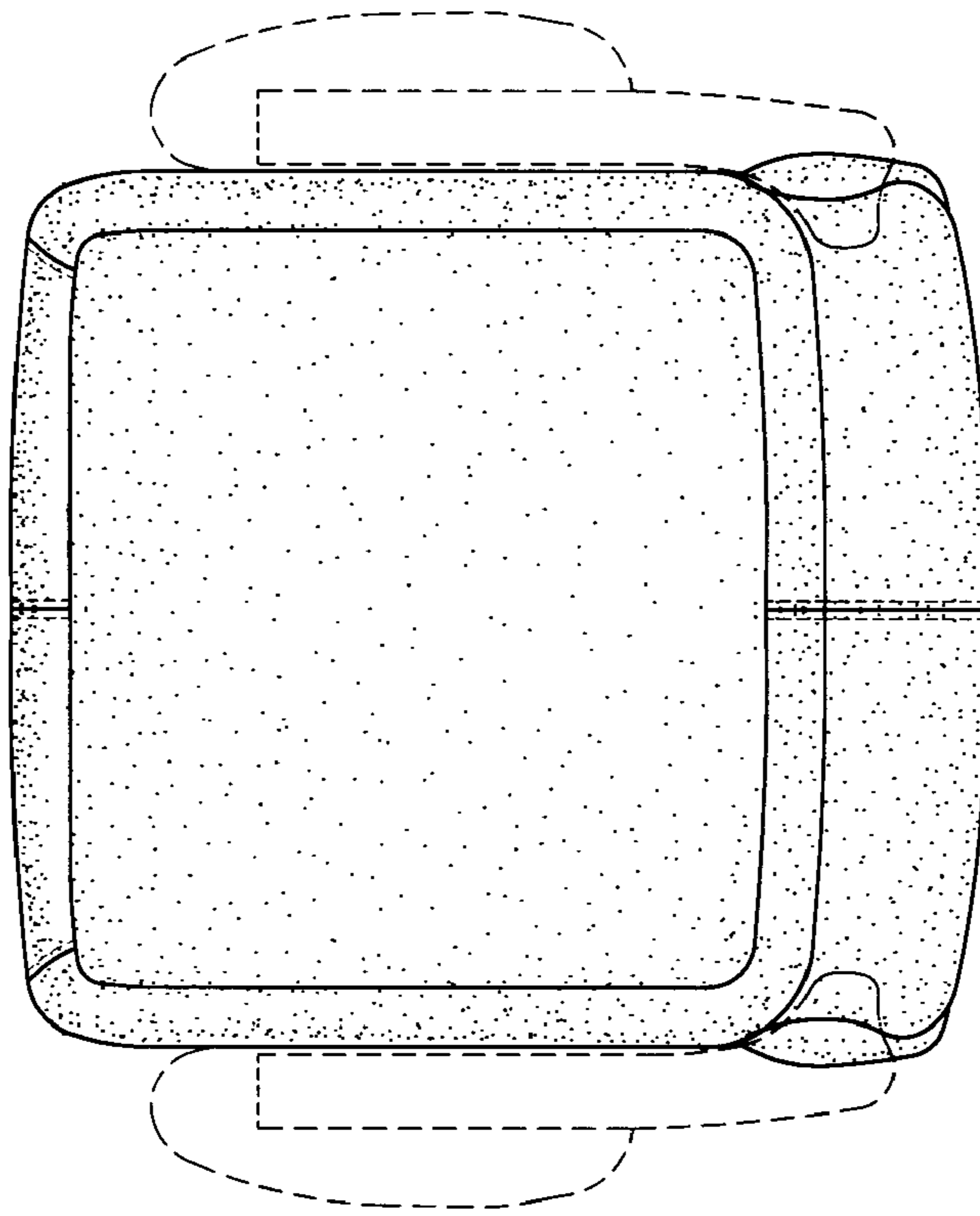


Fig. 8

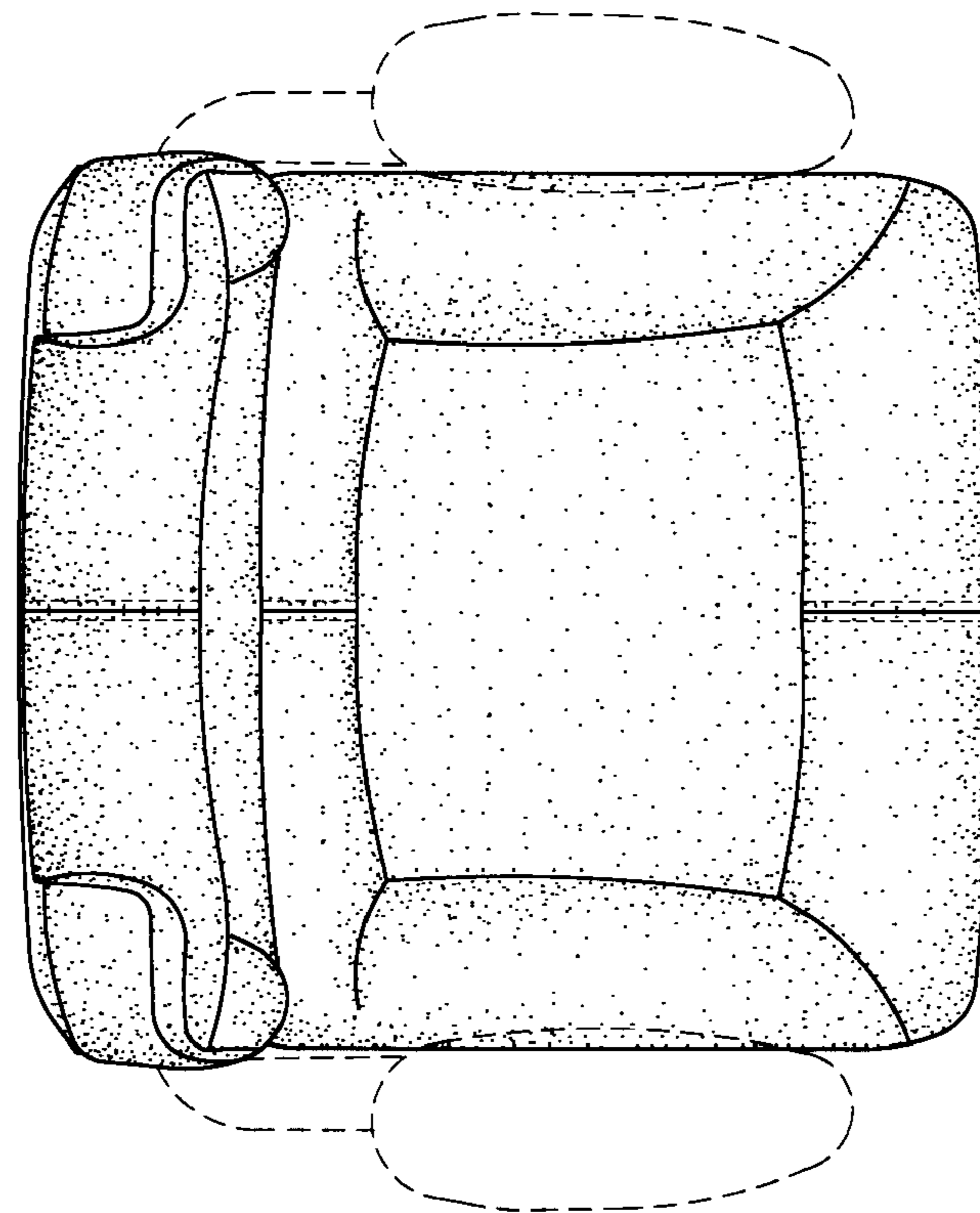


Fig. 7