



US00D532221S

(12) **United States Design Patent**
Relling

(10) **Patent No.:** **US D532,221 S**

(45) **Date of Patent:** **** Nov. 21, 2006**

(54) **TABLE**

D499,584 S * 12/2004 Domack et al. D6/480
D510,823 S * 10/2005 Ng et al. D6/480
D514,356 S * 2/2006 Ng et al. D6/480

(75) Inventor: **Harald Relling**, Langevag (NO)

* cited by examiner

(73) Assignee: **Ekornes ASA**, Ikornnes (NO)

Primary Examiner—Janice E. Seeger
(74) *Attorney, Agent, or Firm*—Schneck & Schneck;
Thomas Schneck

(**) Term: **14 Years**

(21) Appl. No.: **29/228,142**

(22) Filed: **Apr. 20, 2005**

(57) **CLAIM**

(30) **Foreign Application Priority Data**

I claim the ornamental design for a table, as shown and described.

Oct. 22, 2004 (NO) 20040605

DESCRIPTION

(51) **LOC (8) Cl.** **06-03**

(52) **U.S. Cl.** **D6/480**

(58) **Field of Classification Search** D6/480–489,
D6/495, 511, 429–431; 108/150, 153.1, 155,
108/156, 161, 36, 127; 248/188, 188.1, 188.8
See application file for complete search history.

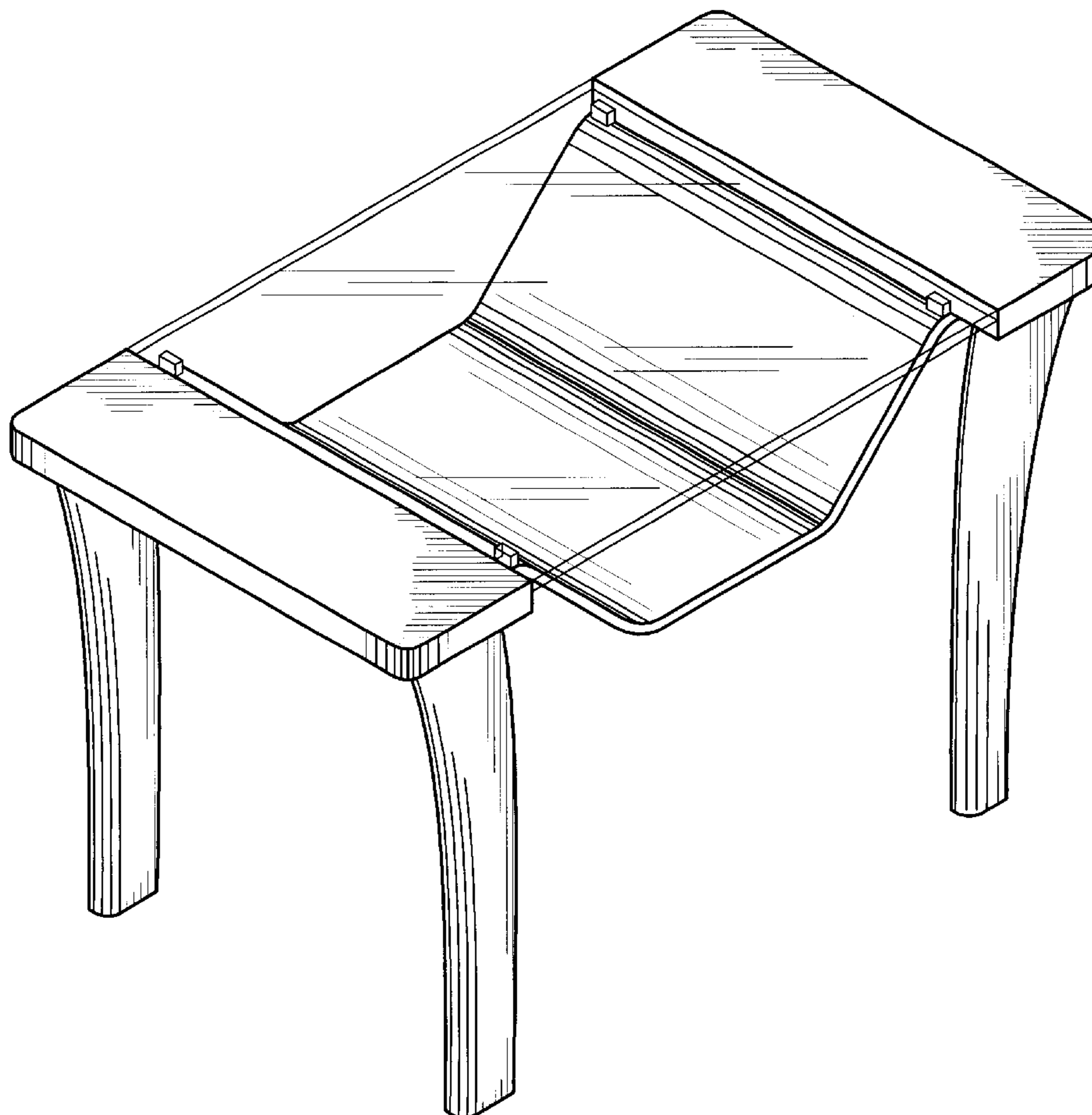
FIG. 1 is a perspective view of a table of my design.
FIG. 2 is a left side view of the table of FIG. 1, with the right side being a mirror image.
FIG. 3 is a front elevational view of the table of FIG. 1, with the rear elevational view being identical.
FIG. 4 is a top view of the table of FIG. 1; and,
FIG. 5 is a bottom view of the table of FIG. 1.

(56) **References Cited**

U.S. PATENT DOCUMENTS

D315,650 S * 3/1991 Fisher D6/484

1 Claim, 3 Drawing Sheets



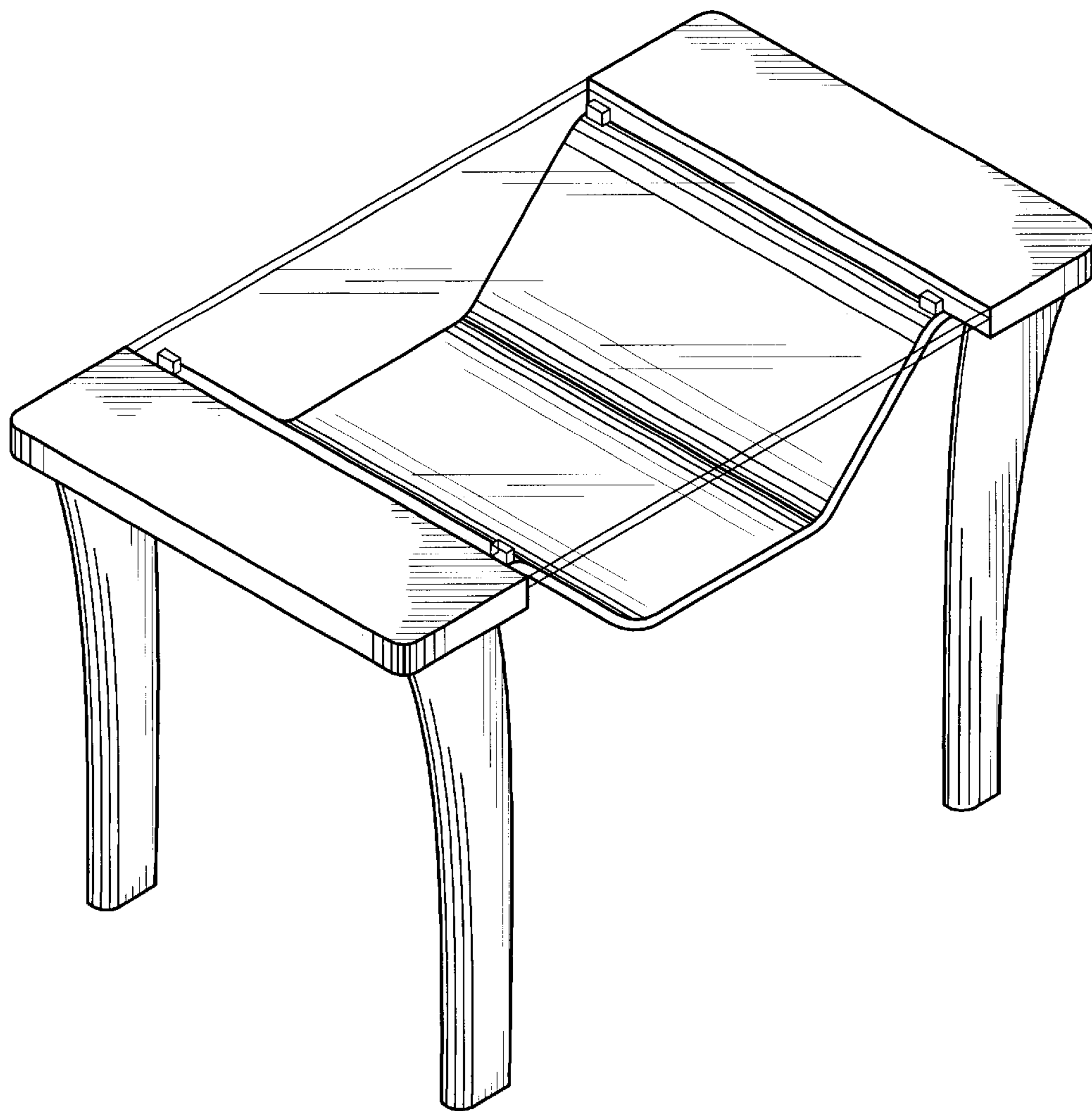


Fig. 1

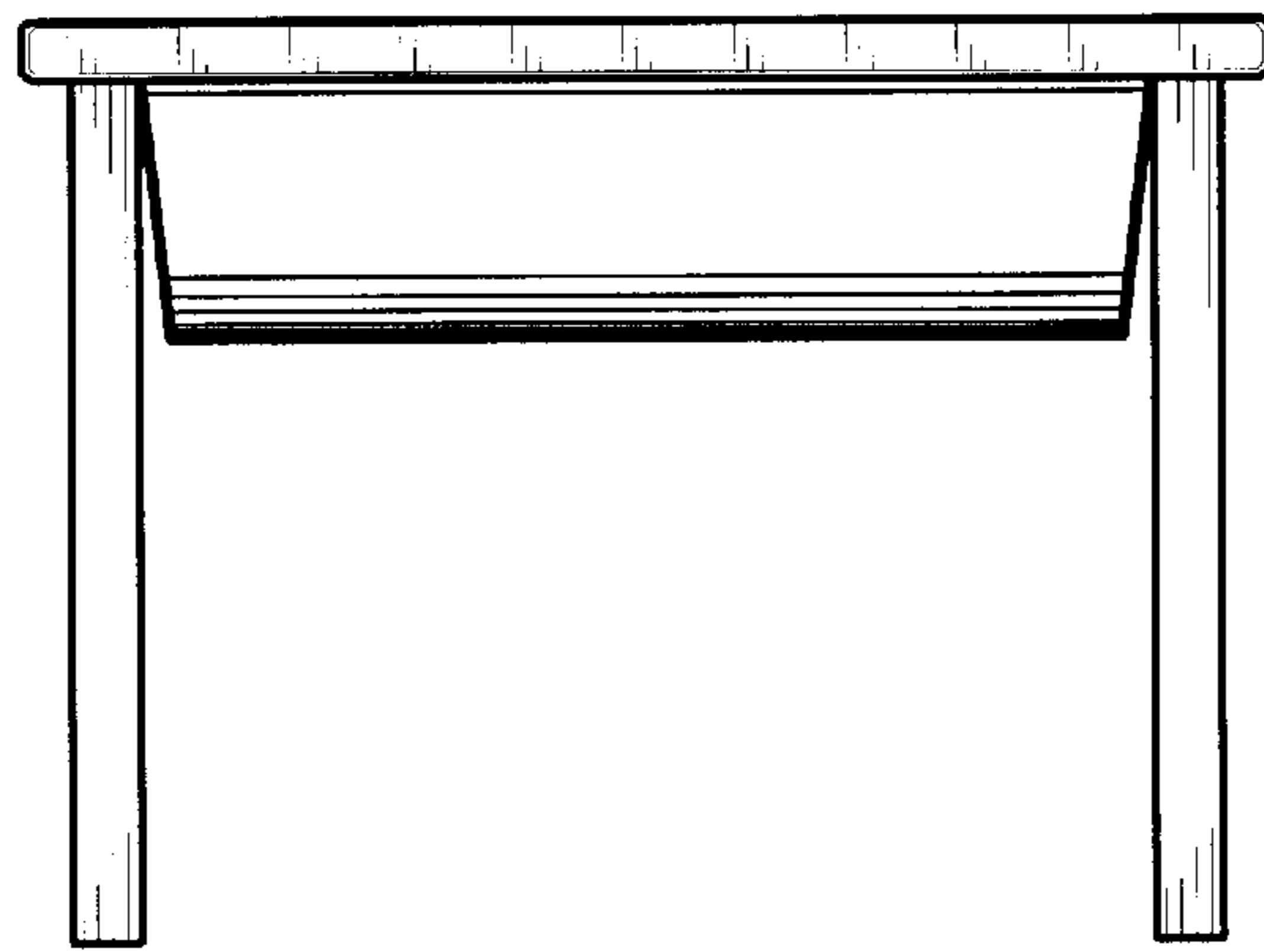


Fig. 2

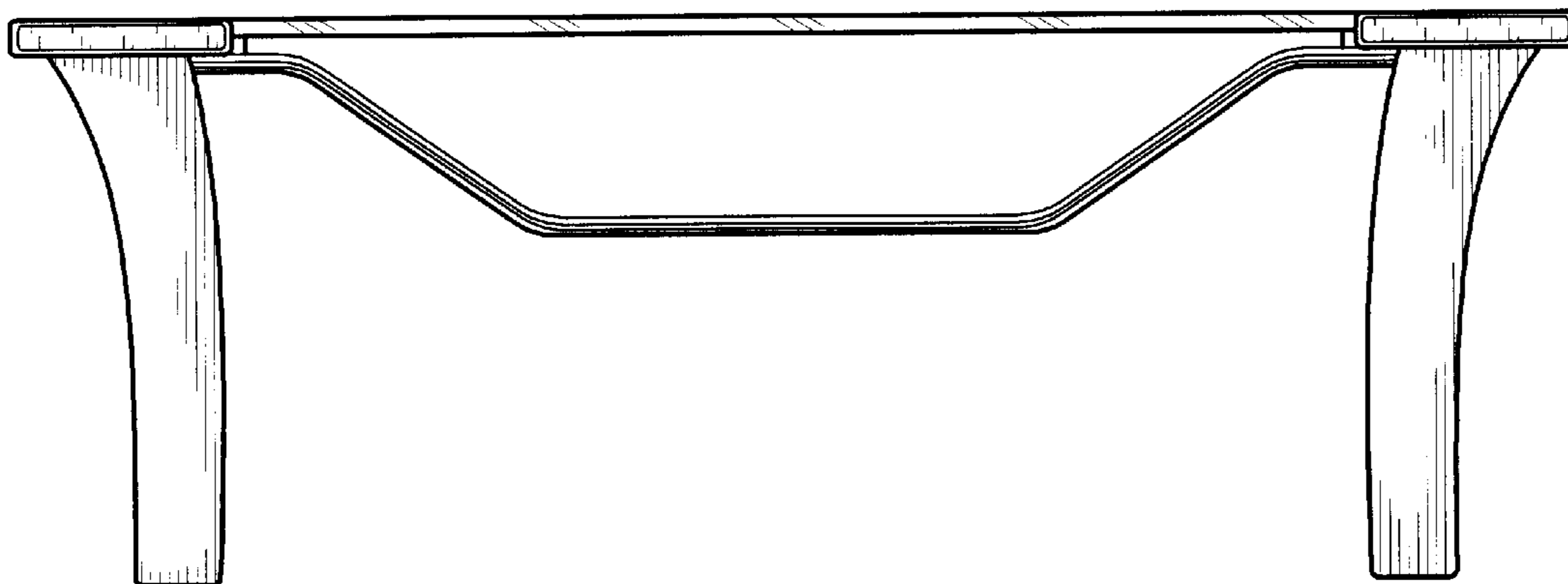


Fig. 3

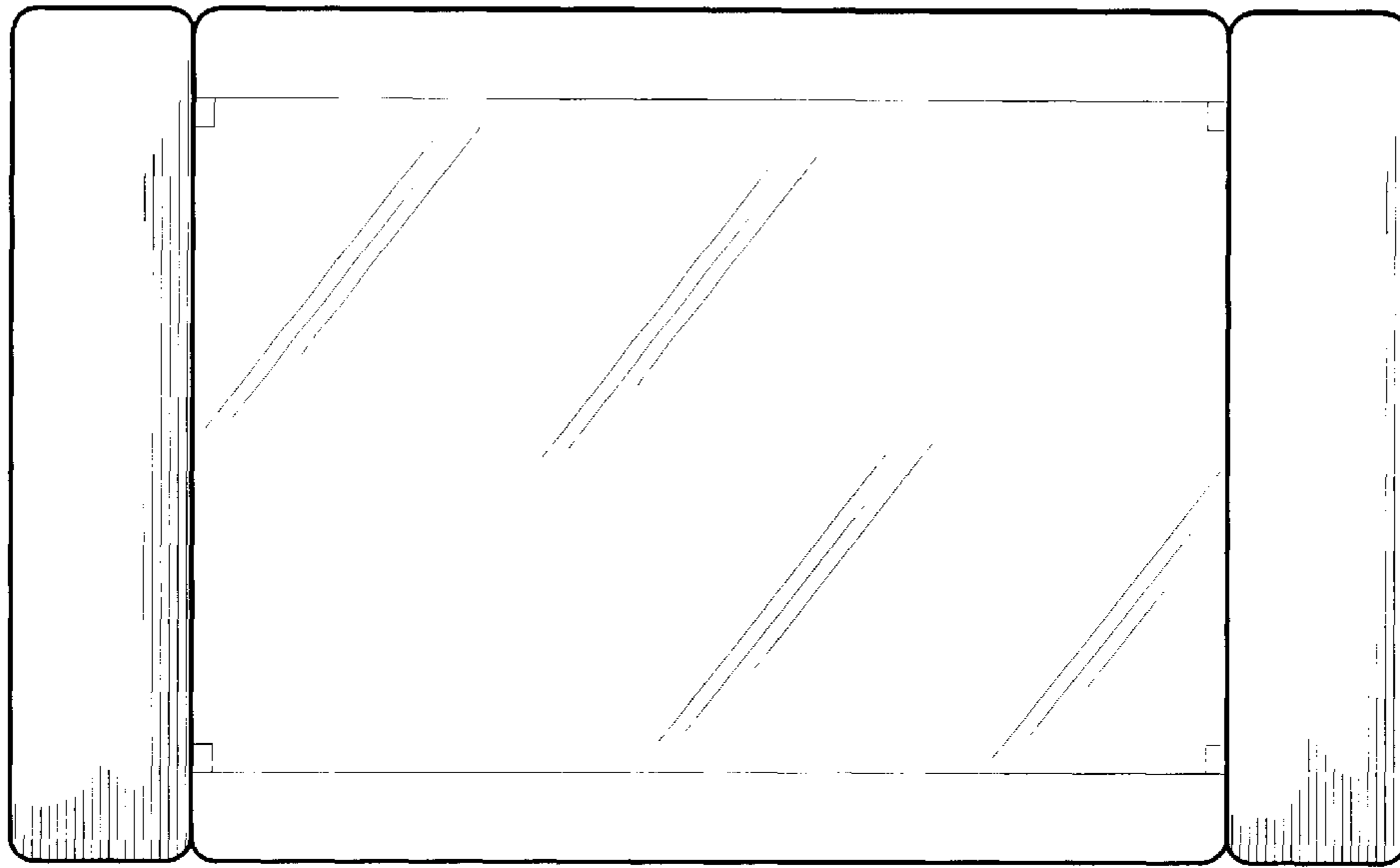


Fig. 4

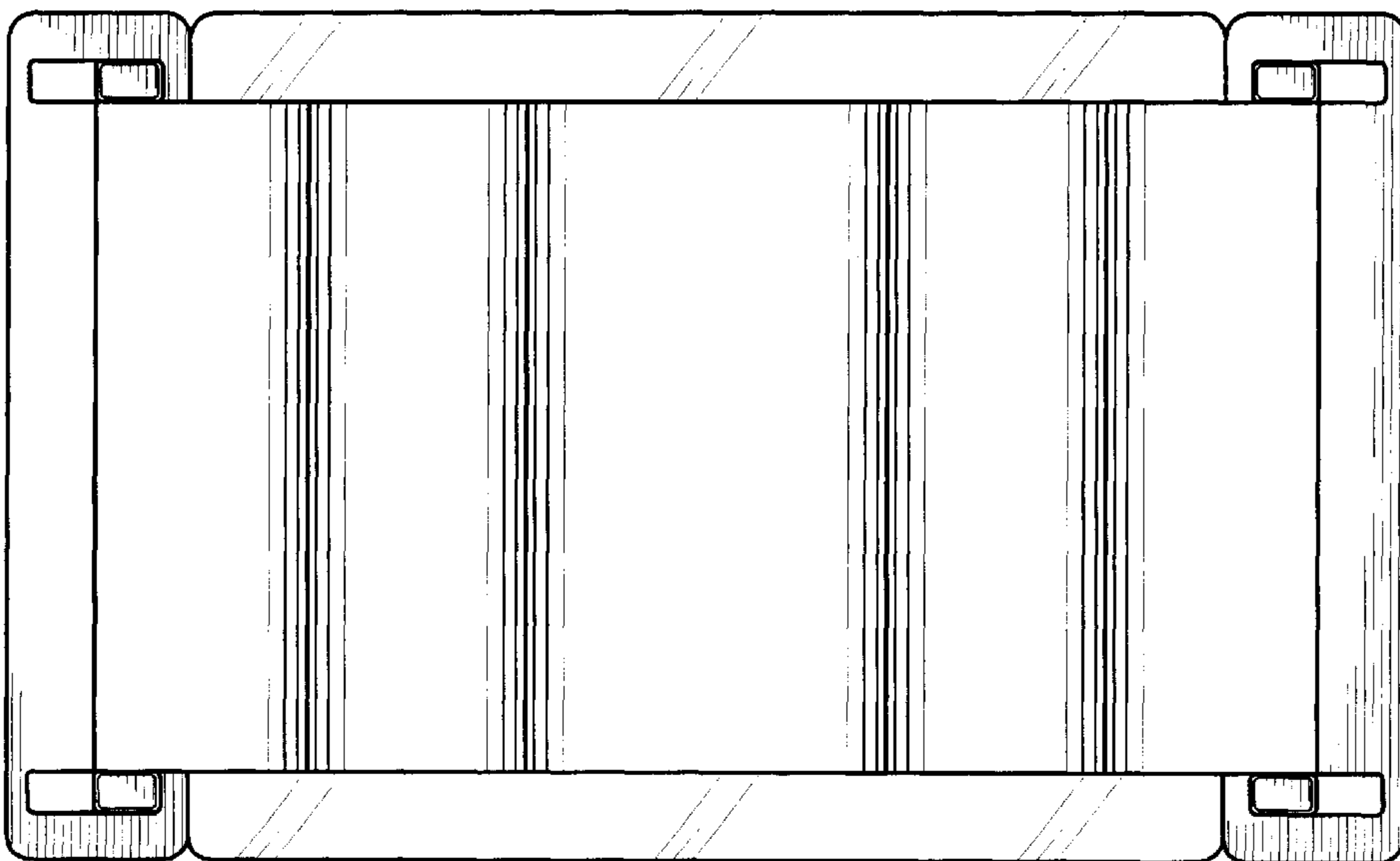


Fig. 5