



US00D532220S

(12) **United States Design Patent** (10) **Patent No.:** **US D532,220 S**
Domack et al. (45) **Date of Patent:** **** Nov. 21, 2006**

(54) **COCKTAIL TABLE**

(75) Inventors: **Randy D. Domack**, Trempealeau, WI (US); **Terry A. Everson**, Blair, WI (US)

(73) Assignee: **Ashley Furniture Industries, Inc.**, Arcadia, WI (US)

(**) Term: **14 Years**

(21) Appl. No.: **29/225,757**

(22) Filed: **Mar. 18, 2005**

(51) **LOC (8) Cl.** **06-03**

(52) **U.S. Cl.** **D6/480; D6/430**

(58) **Field of Classification Search** D6/480-489, D6/495, 511, 429, 430, 436, 474, 477; 108/153.1, 108/155, 156, 157.1, 161, 12, 93, 96, 106, 108/108; 248/188, 188.1, 188.8
See application file for complete search history.

(56) **References Cited**

U.S. PATENT DOCUMENTS

D173,904 S	*	1/1955	Keal	D6/430
D249,857 S		10/1978	Adkinson		
D362,573 S	*	9/1995	Finlayson et al.	D6/511
D396,767 S		8/1998	De Blaay		
D396,973 S		8/1998	De Blaay		
D448,951 S	*	10/2001	O'Hare et al.	D6/480
D454,723 S		3/2002	O'Hare		
D463,163 S	*	9/2002	Lewis	D6/480
D493,050 S		7/2004	Domack		

OTHER PUBLICATIONS

Thomasville Furniture Industries, Inc., "Bridges 2.0 Rectangular Cocktail Table", www.thomasville.com/Products/Product.asp?ItemID=2976.
Photo of Cocktail Table, Haverty's Collection, Undated.

Ashley Catalog Photograph, Loring, T217-13, p. 179, vol. 5, Series 1, Spring 2003.

Ashley Catalog Photograph, Cambridge, T254-09, p. 183, vol. 5, Series 1, Spring 2003.

Ashley Catalog Photograph, Spring Green, T274-9-OPEN, p. 184, vol. 5, Series, 1, Spring 2003.

Ashley Catalog Photograph, Flint Creek, T349-7-OPEN, p. 194, vol. 5, Series 1, Spring 2003.

Thomasville Furniture Industries, Inc., "Martinque Rectangular Cocktail Table", www.thomasville.com/Products/Product.asp?ItemID=375.

* cited by examiner

Primary Examiner—Janice E. Seeger

(74) *Attorney, Agent, or Firm*—Patterson, Thuente, Skaar & Christensen, P.A.

(57) **CLAIM**

We claim the ornamental design for a cocktail table, as shown and described.

DESCRIPTION

FIG. 1 is a perspective view of a cocktail table according to an embodiment of the invention.

FIG. 2 is a perspective view of a cocktail table with the table top shown in an extended position, according to an embodiment of the invention.

FIG. 3 is a front elevational view of a cocktail table according to an embodiment of the invention. The elevational view of the back being a mirror image thereof.

FIG. 4 is a side elevational view of a cocktail table according to an embodiment of the invention; and,

FIG. 5 is a top plan view of a cocktail table according to an embodiment of the invention.

The dashed lines represent environmental elements only and form no part of the claimed design.

1 Claim, 2 Drawing Sheets

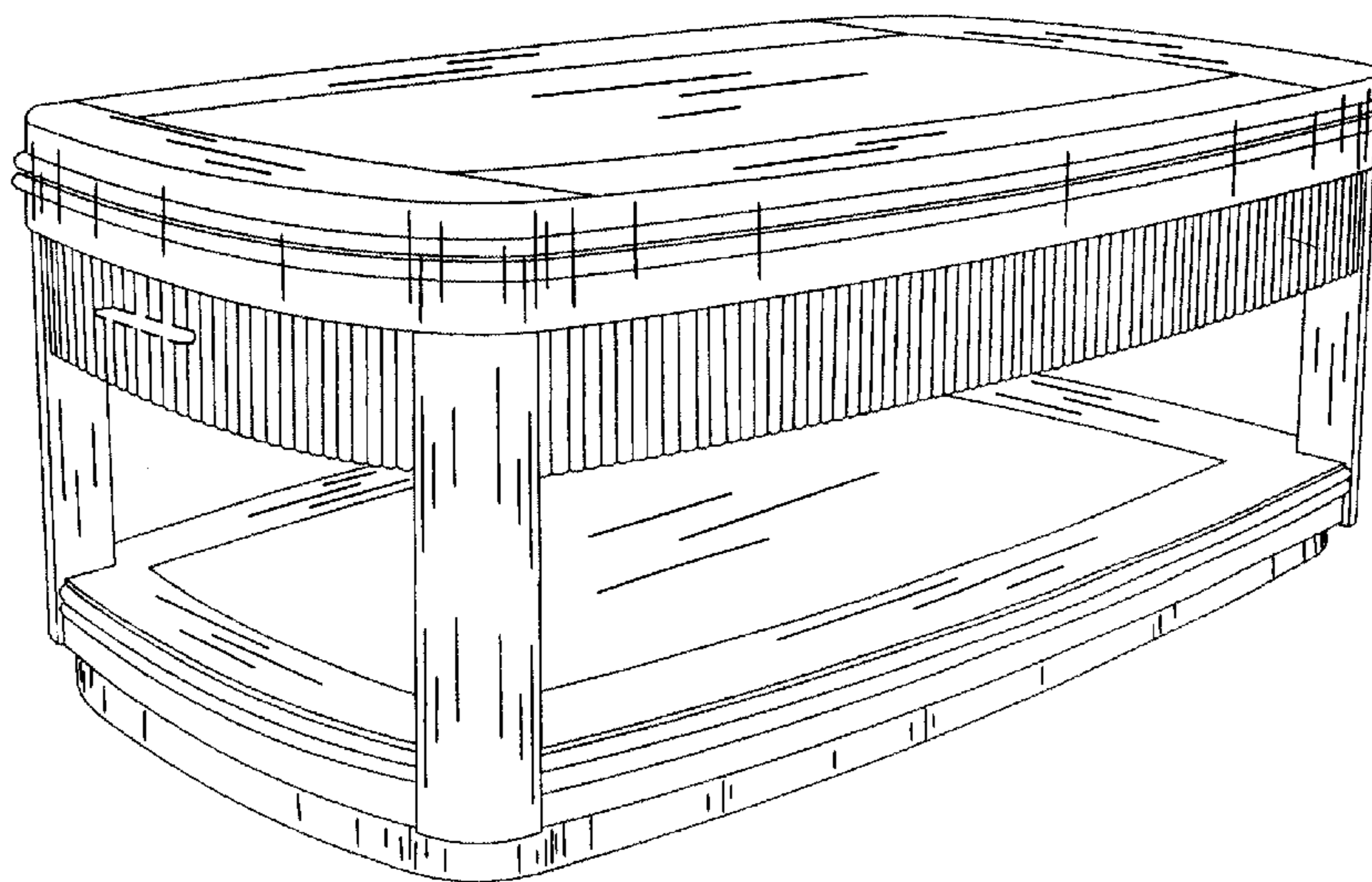


FIG. 2

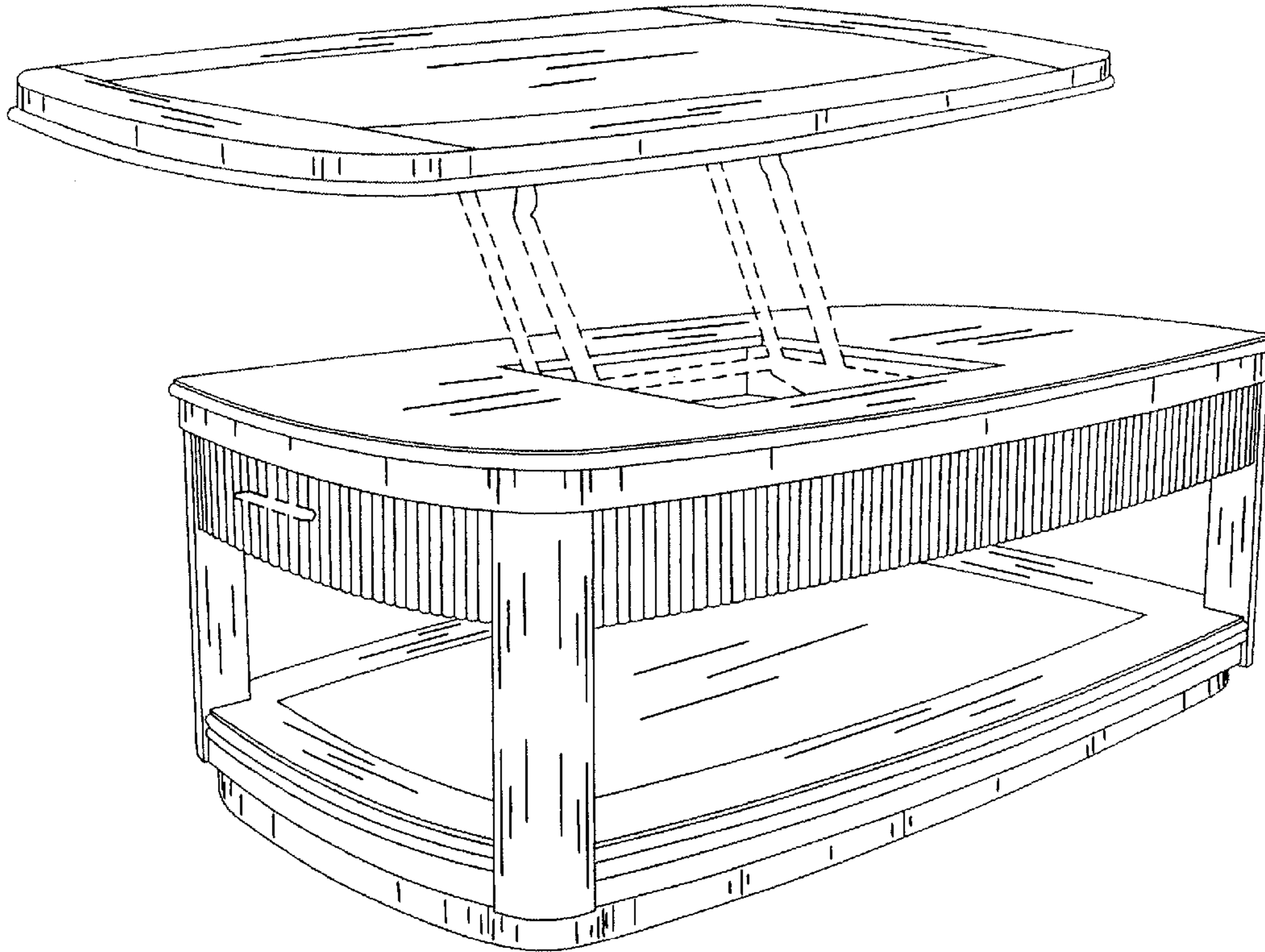


FIG. 1

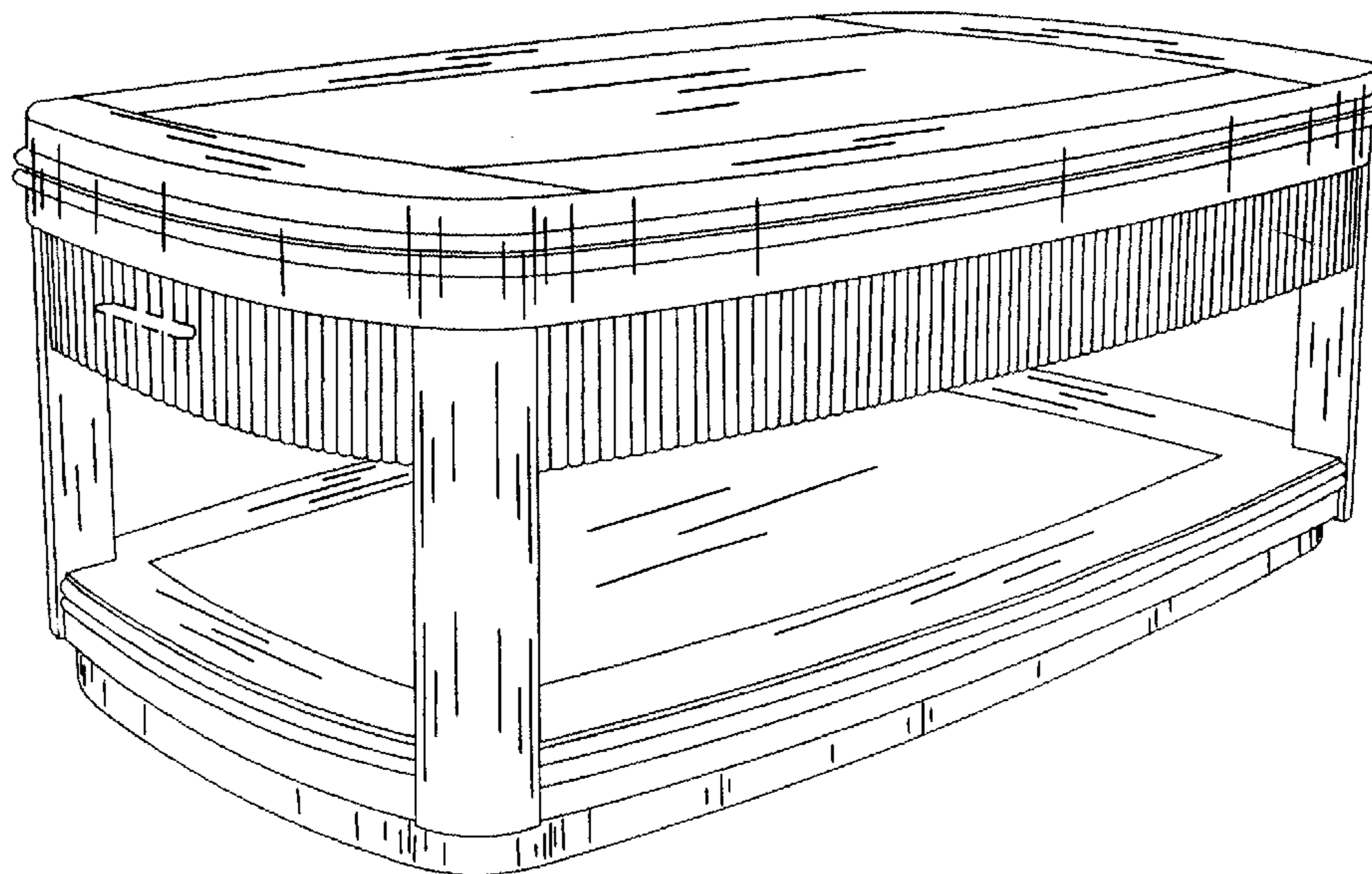


FIG. 5

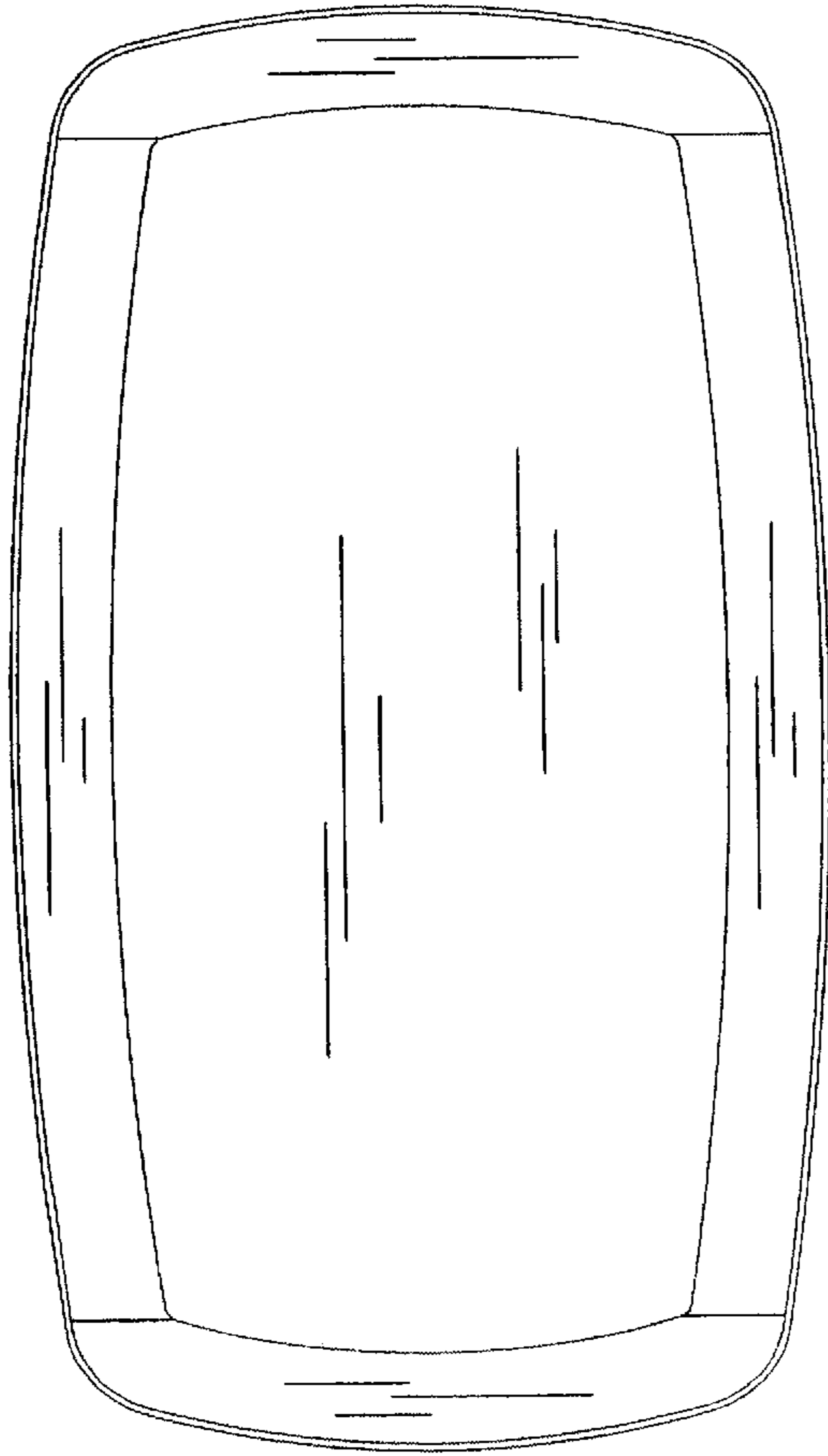


FIG. 4

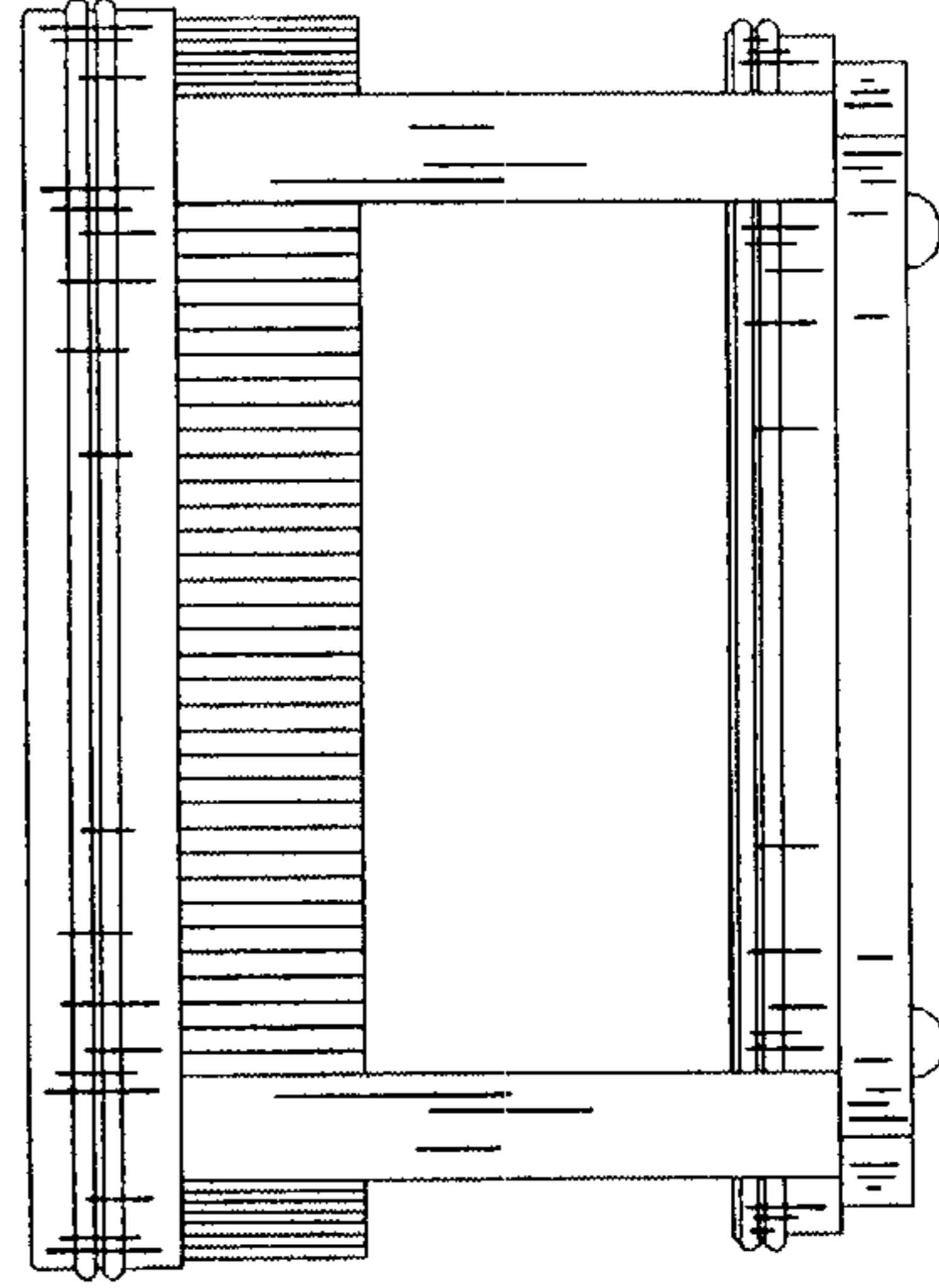


FIG. 3

