



US00D532219S

(12) **United States Design Patent**  
**Sandler et al.**

(10) **Patent No.:** **US D532,219 S**

(45) **Date of Patent:** **\*\* Nov. 21, 2006**

(54) **DISPLAY BIN**

D515,080 S \* 2/2006 Esplo ..... D14/307

(75) Inventors: **Eric Sandler**, Decatur, GA (US);  
**Garrison Brooks**, Atlanta, GA (US)

\* cited by examiner

(73) Assignee: **L&P Property Management Company**, South Gate, CA (US)

*Primary Examiner*—Cathron C. Brooks

(74) *Attorney, Agent, or Firm*—Michael Best & Friedrich LLP

(\*\*) Term: **14 Years**

(57) **CLAIM**

(21) Appl. No.: **29/251,872**

We claim the ornamental design for a display bin, as shown and described.

(22) Filed: **Jan. 13, 2006**

**DESCRIPTION**

(51) **LOC (8) Cl.** ..... **06-04**

FIG. 1 is a perspective view of a display bin embodying the invention;

(52) **U.S. Cl.** ..... **D6/475**; D20/10

FIG. 2 is a left side view of the display bin shown in FIG. 1, wherein the right side view of the display bin is a mirror image of the left side view;

(58) **Field of Classification Search** ..... D6/462,  
D6/470, 471, 473–479, 468; D19/90; D20/10;  
211/43, 55, 85, 150, 175, 207; 312/312  
See application file for complete search history.

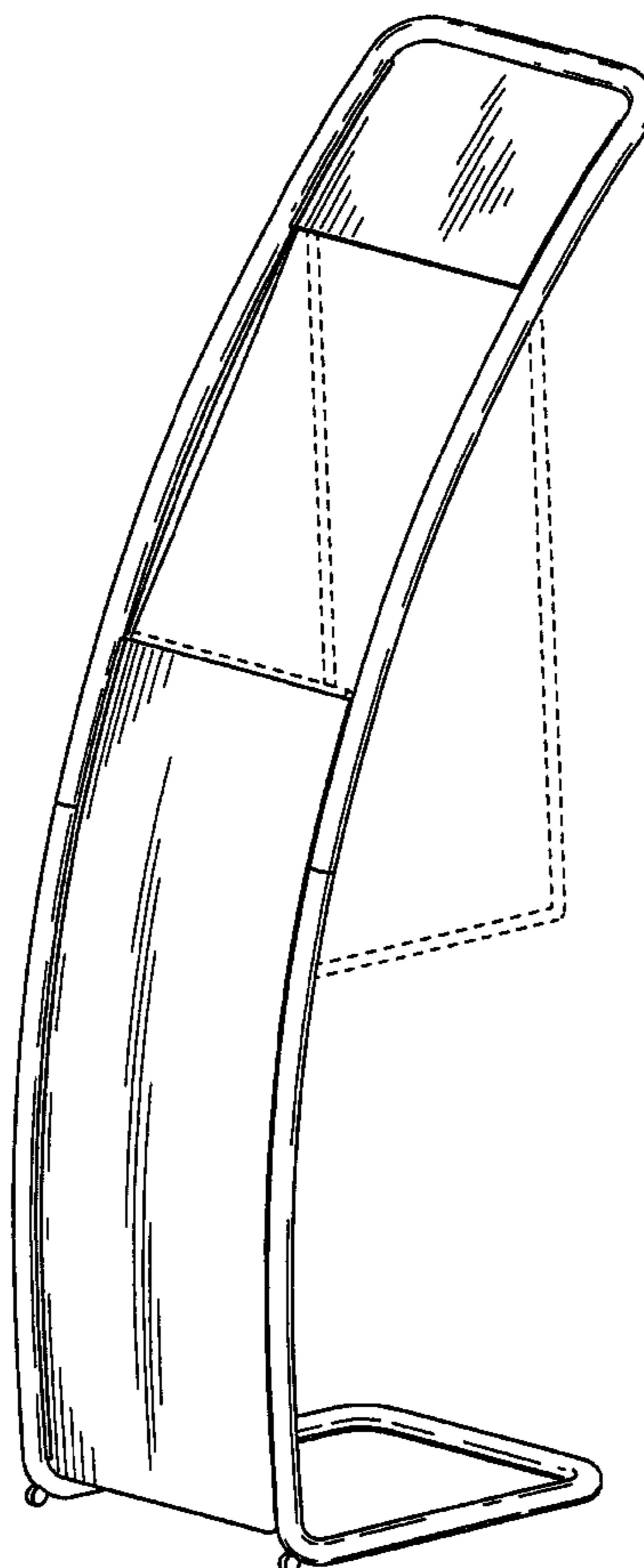
FIG. 3 is a front view of the display bin shown in FIG. 1; FIG. 4 is a rear view of the display bin shown in FIG. 1; FIG. 5 is a top view of the display bin shown in FIG. 1; and, FIG. 6 is a bottom view of the display bin shown in FIG. 1. The structure depicted by means of broken lines in the figures has been shown for illustrative purposes only and forms no part of the claimed design.

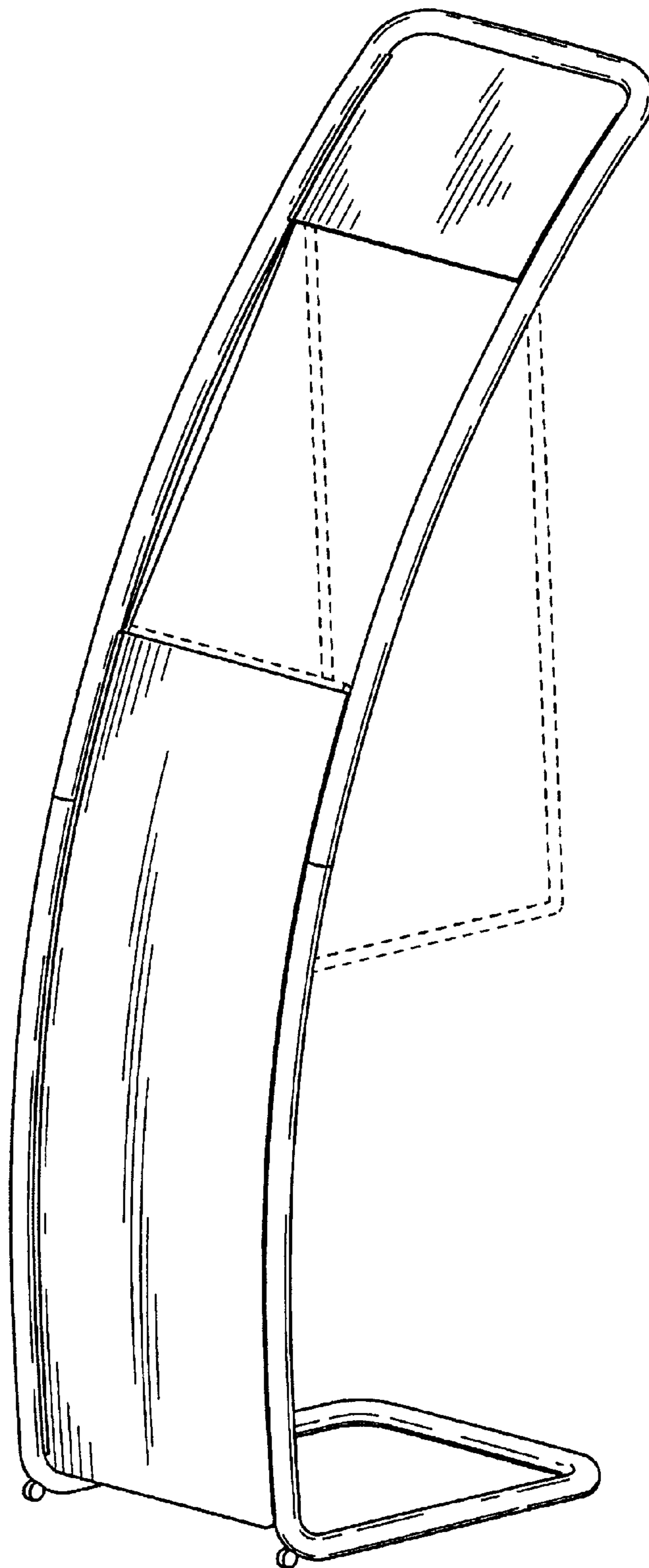
(56) **References Cited**

**U.S. PATENT DOCUMENTS**

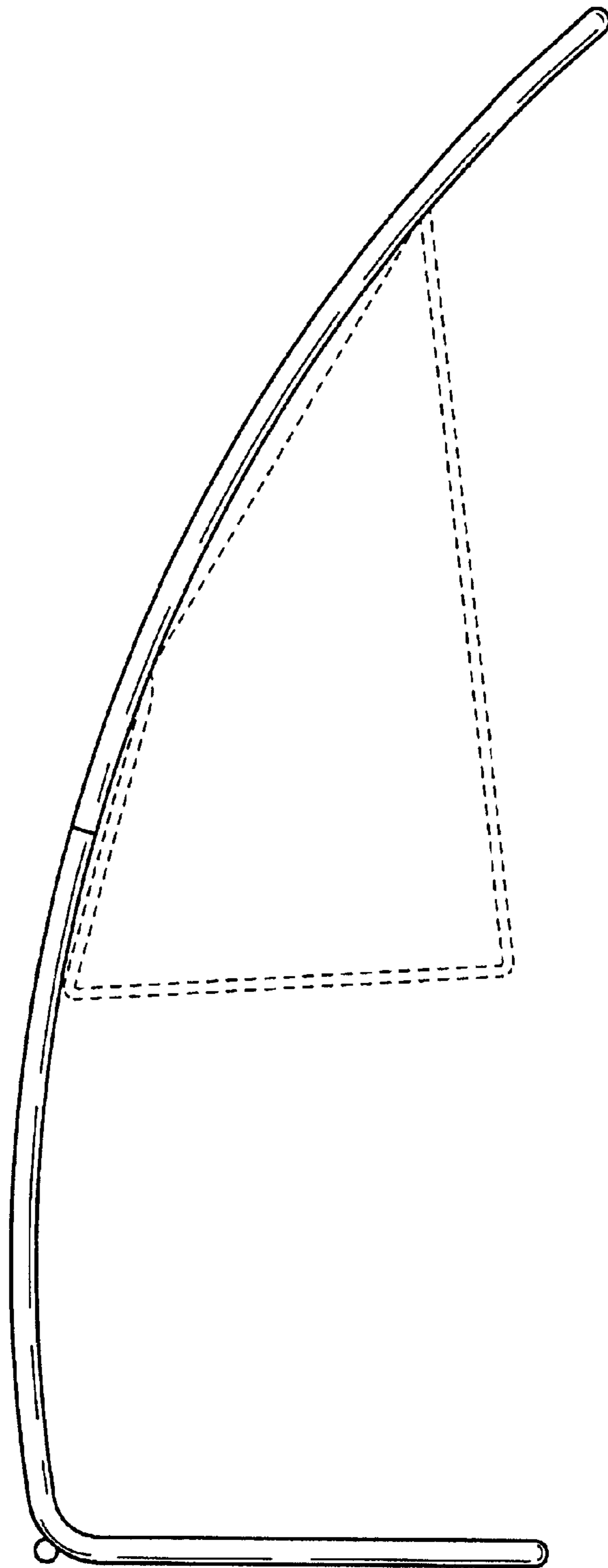
- D378,082 S \* 2/1997 Wilson ..... D20/10
- D396,065 S \* 7/1998 Johnson et al. .... D20/41
- D408,458 S \* 4/1999 Hempel ..... D20/10
- D435,270 S \* 12/2000 Healy ..... D20/10
- D478,582 S \* 8/2003 Becker et al. .... D14/302

**1 Claim, 4 Drawing Sheets**

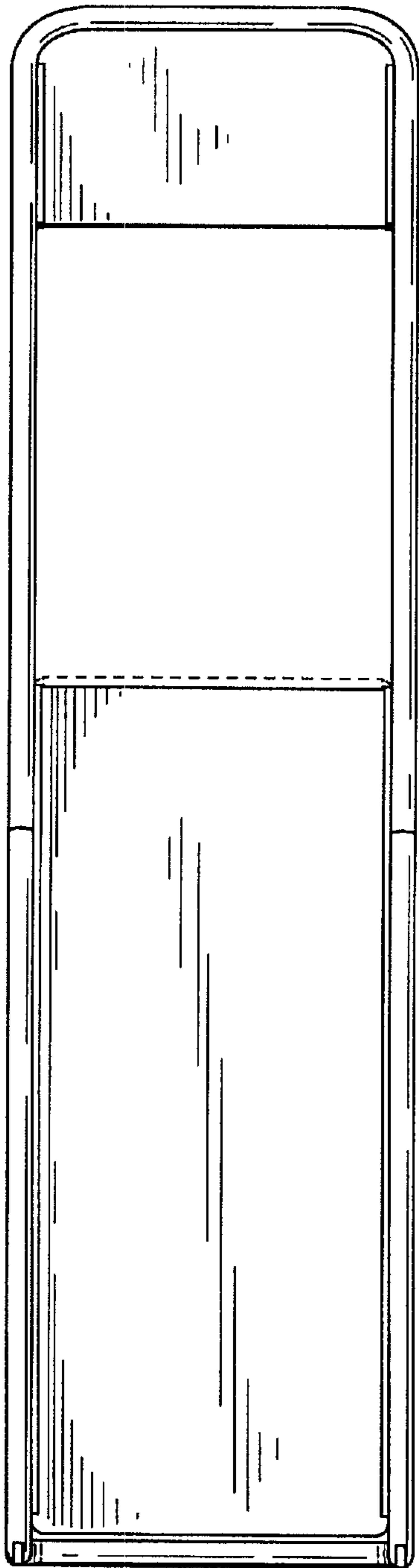




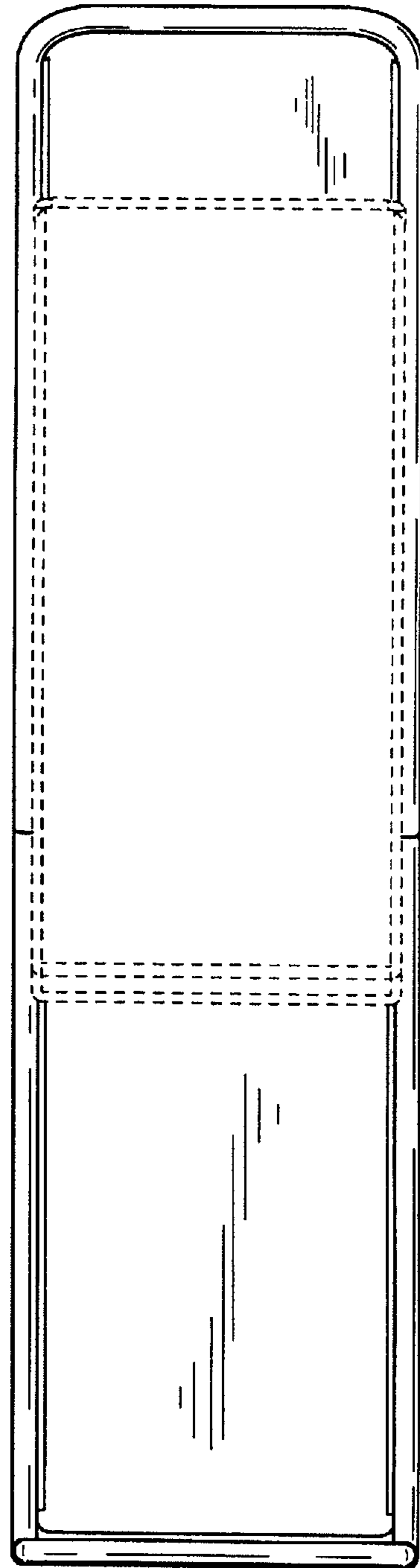
**FIG. 1**



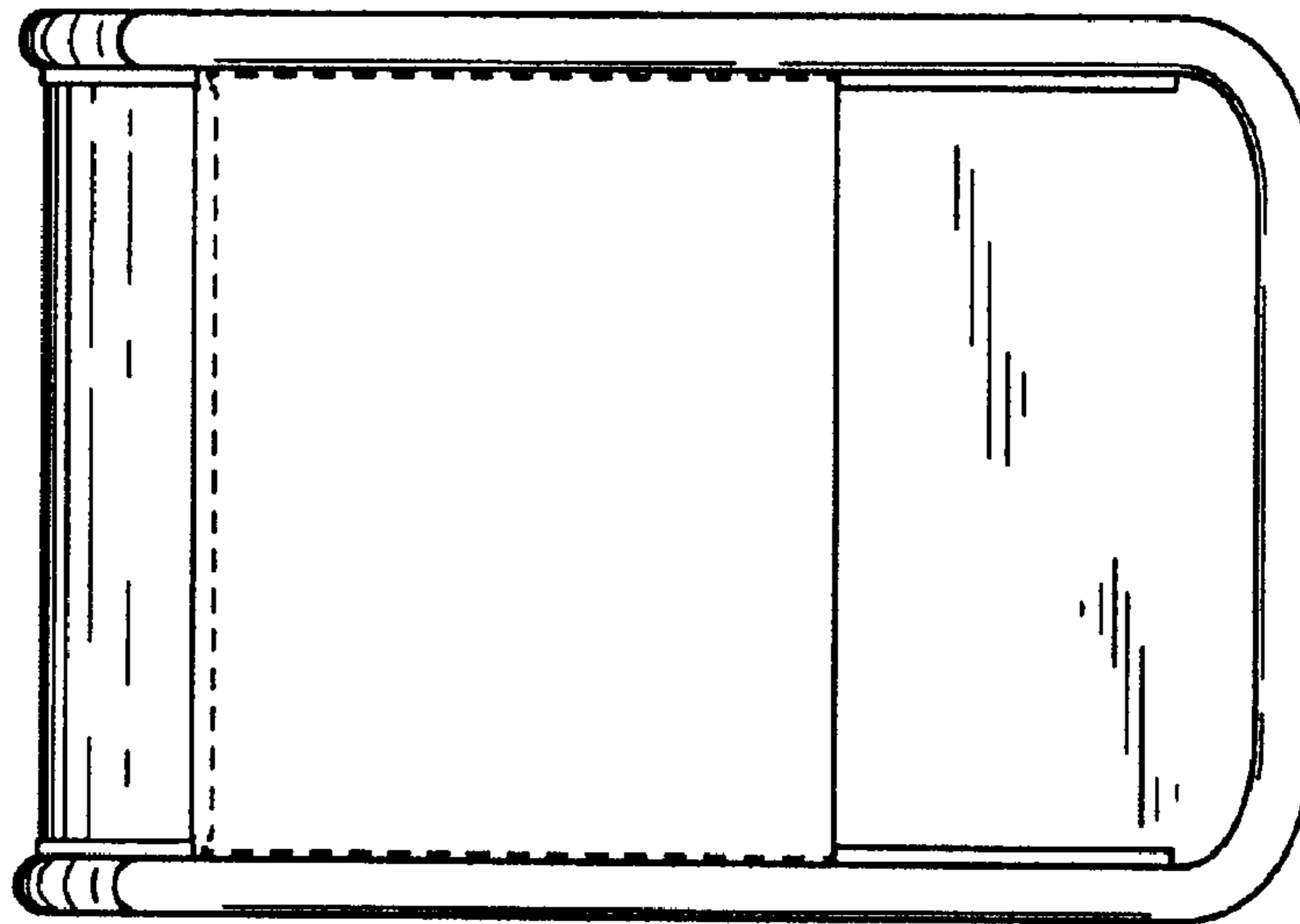
**FIG. 2**



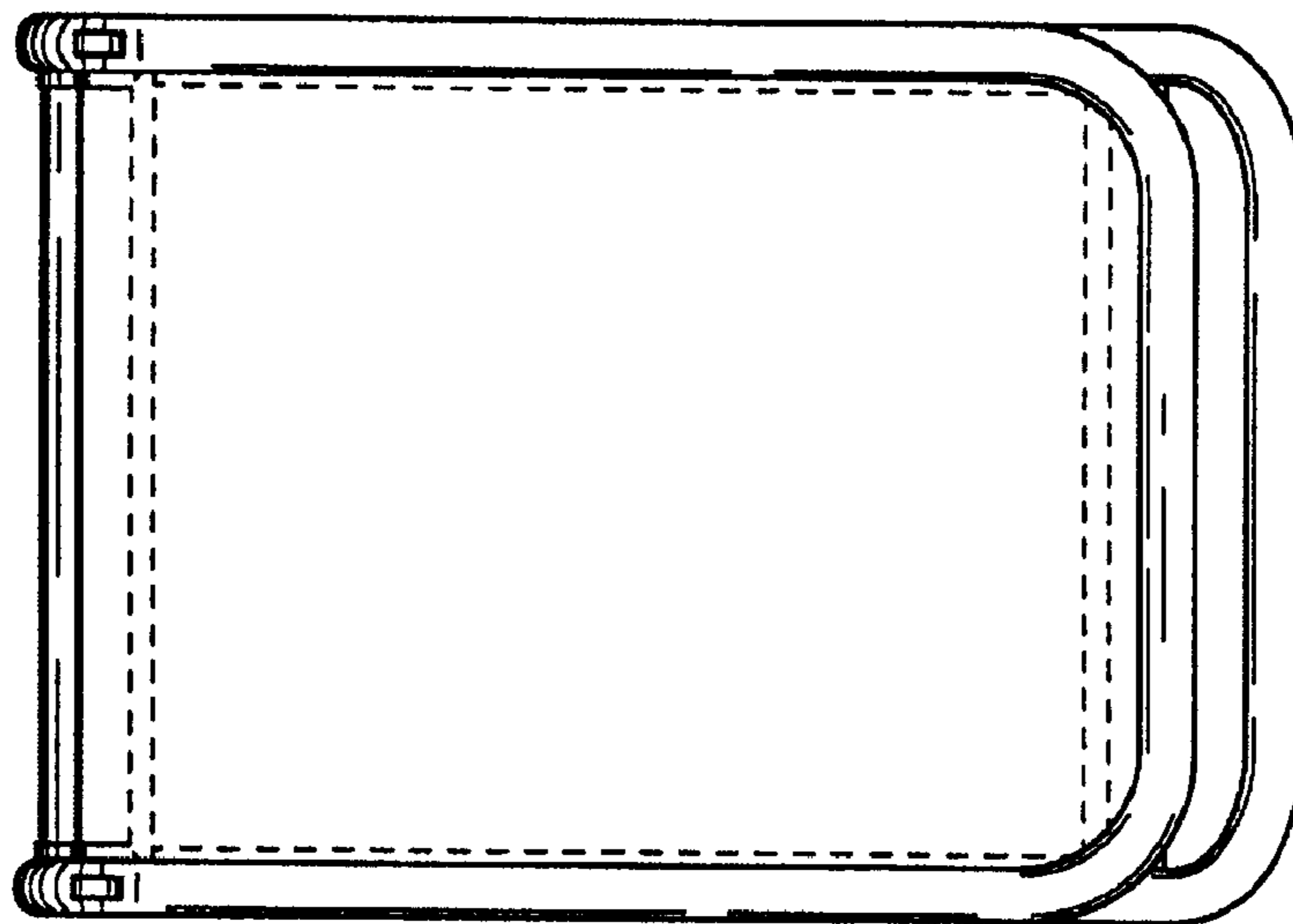
**FIG. 3**



**FIG. 4**



**FIG. 5**



**FIG. 6**