



US00D532217S

(12) **United States Design Patent**  
**Anderson**

(10) **Patent No.:** **US D532,217 S**

(45) **Date of Patent:** **\*\* Nov. 21, 2006**

(54) **JEWELRY RACK**

(76) Inventor: **Caroline Anderson**, P.O. Box 2691,  
Paso Robles, CA (US) 93447

(\*\*) Term: **14 Years**

(21) Appl. No.: **29/217,473**

(22) Filed: **Nov. 18, 2004**

(51) **LOC (8) Cl.** ..... **06-07**

(52) **U.S. Cl.** ..... **D6/467**

(58) **Field of Classification Search** ..... D6/462,  
D6/458, 449, 455, 461, 523; 211/24, 41.1,  
211/41.7, 41.4, 42, 53, 85, 85.2, 85.31, 90.03,  
211/112, 126.8, 129.1, 134, 133.1, 133.2,  
211/153, 181.1; 248/153, 175  
See application file for complete search history.

(56) **References Cited**

**U.S. PATENT DOCUMENTS**

- D389,016 S \* 1/1998 Walters et al. .... D6/465
- D424,835 S \* 5/2000 Walters-Dowding et al. D6/465
- D427,455 S \* 7/2000 Walters-Dowding et al. D6/465
- D463,158 S \* 9/2002 Lu ..... D6/403
- D466,335 S \* 12/2002 Dowding et al. .... D6/458

- D478,735 S \* 8/2003 Sellers ..... D6/403
- D484,715 S \* 1/2004 Missry ..... D6/403
- D497,494 S \* 10/2004 Tseng ..... D6/403
- D504,789 S \* 5/2005 Hayes ..... D6/403
- 2003/0192840 A1 \* 10/2003 Hoyle et al. .... 211/85.2

\* cited by examiner

*Primary Examiner*—Janice E. Seeger

*Assistant Examiner*—Sydney R. Buffalow

(74) *Attorney, Agent, or Firm*—Charles C. Logan, II

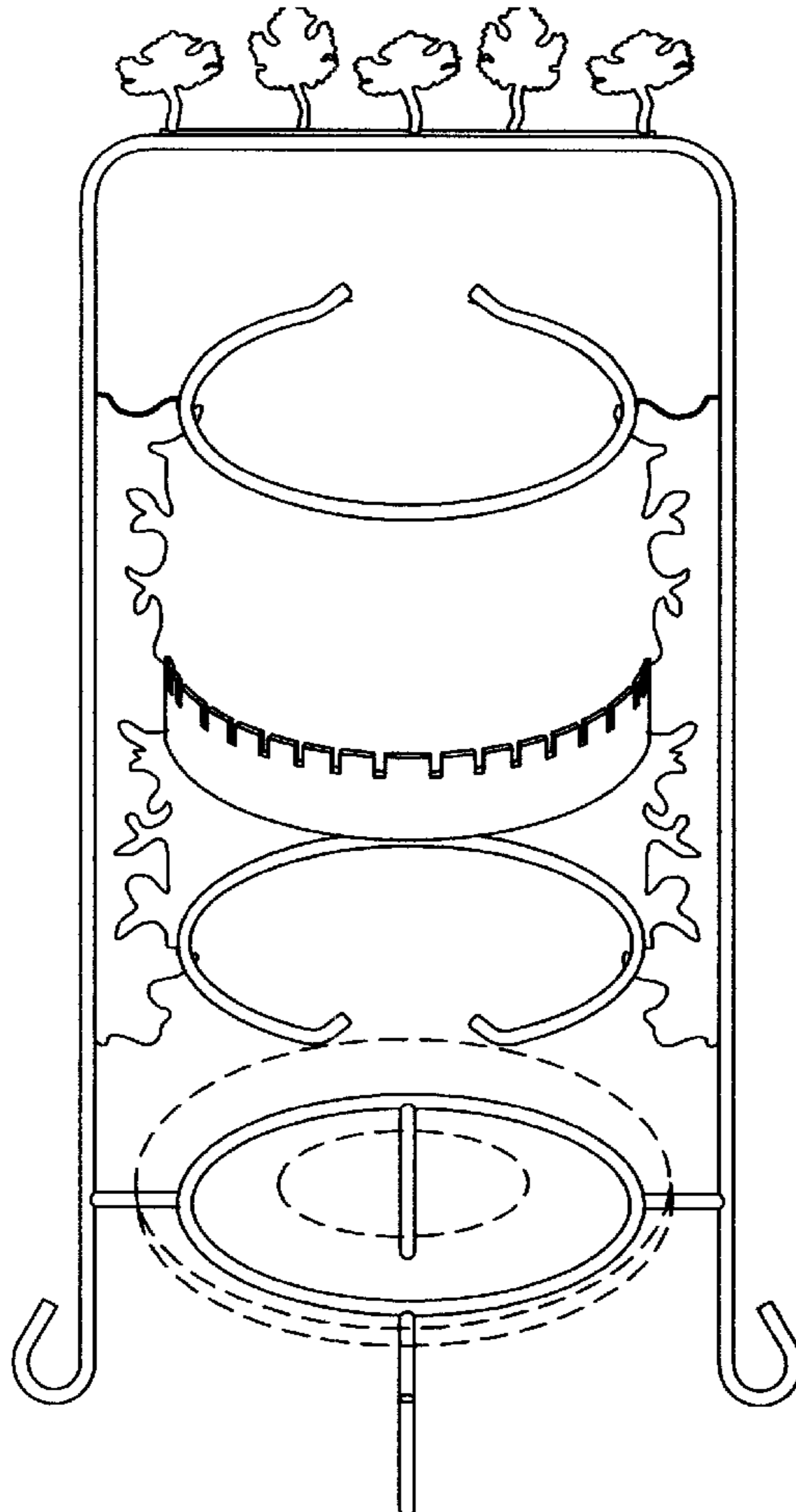
(57) **CLAIM**

I claim the ornamental design for a jewelry rack, as shown and described.

**DESCRIPTION**

FIG. 1 is a front perspective view of a jewelry rack;  
 FIG. 2 is a front elevation view thereof;  
 FIG. 3 is a bottom plan view thereof;  
 FIG. 4 is a top plan view thereof;  
 FIG. 5 is a left side elevation view, the right side being a mirror image thereof; and,  
 FIG. 6 is a rear elevation view of a jewelry rack.  
 The broken lines are for illustrative purposes only and form no part of the claimed design.

**1 Claim, 2 Drawing Sheets**



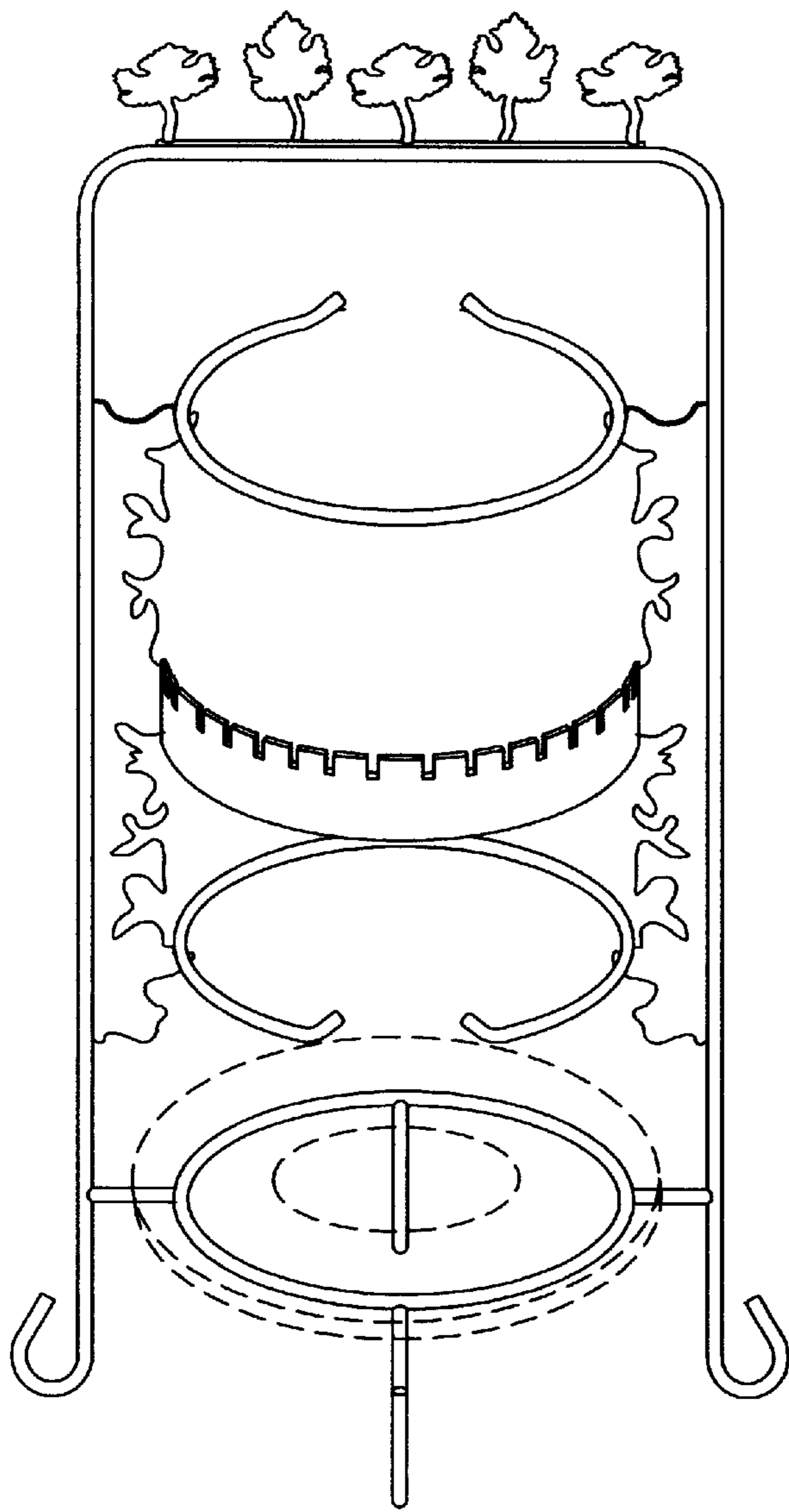


FIG. 1

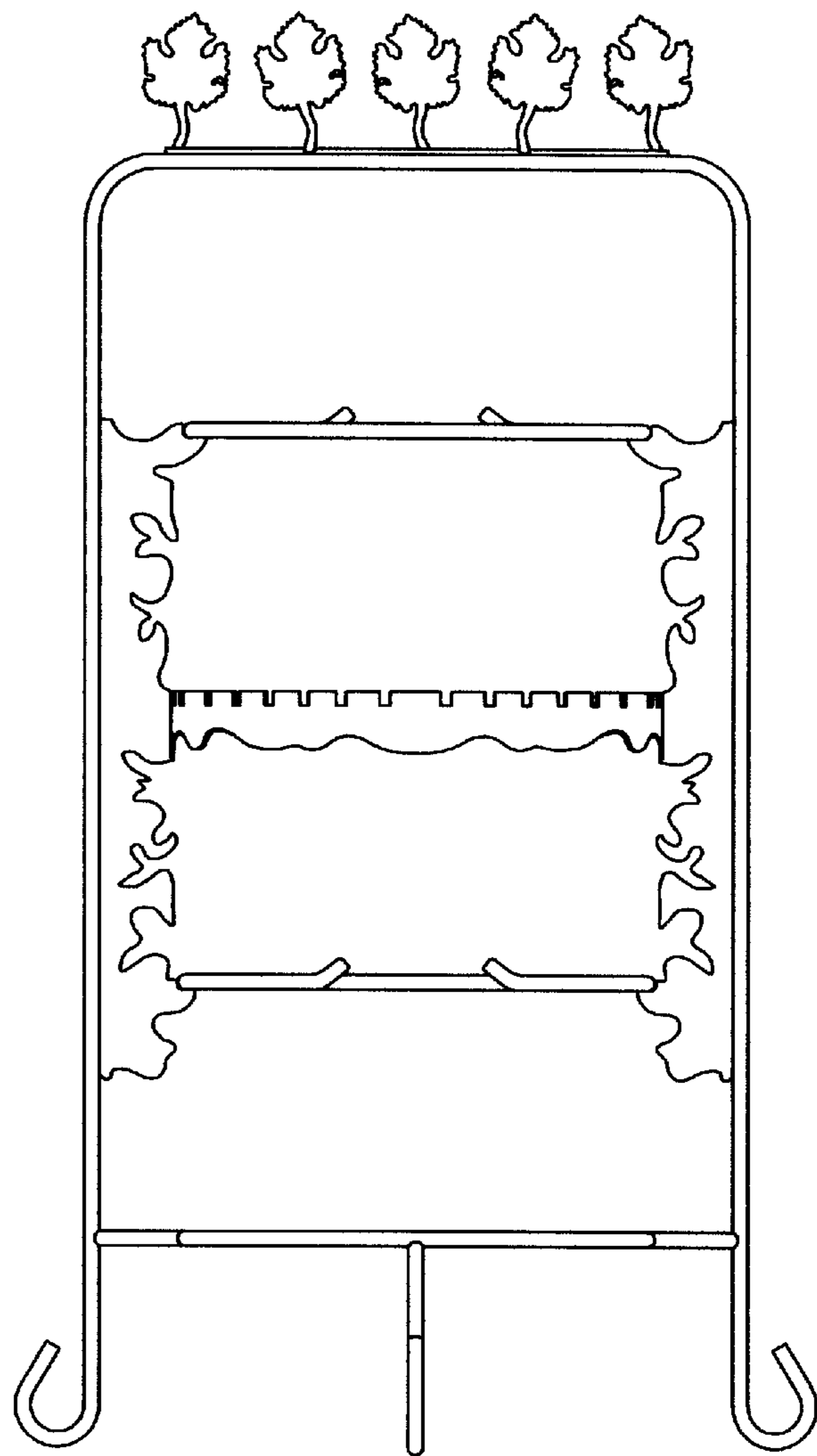


FIG. 2

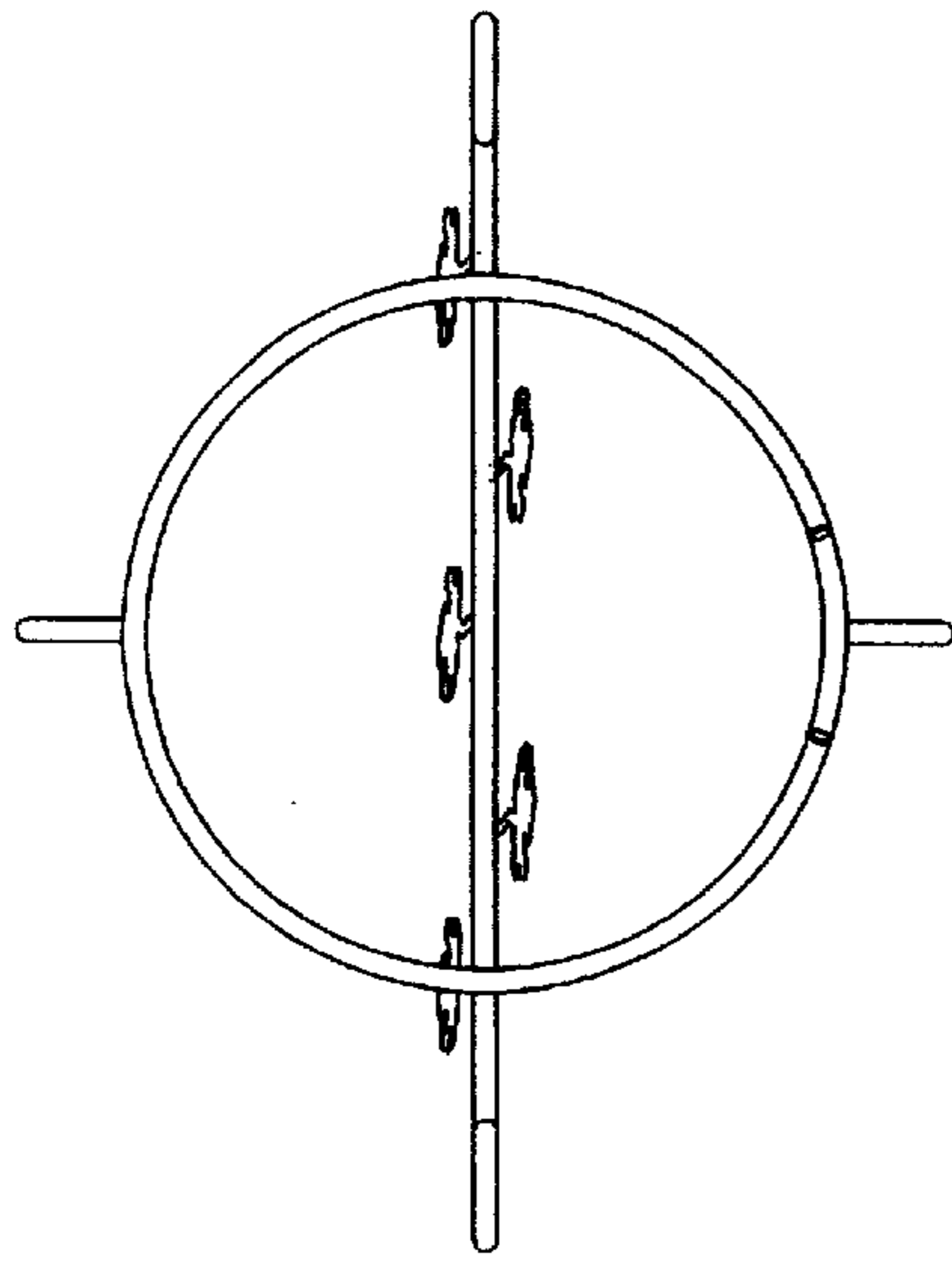


FIG. 3

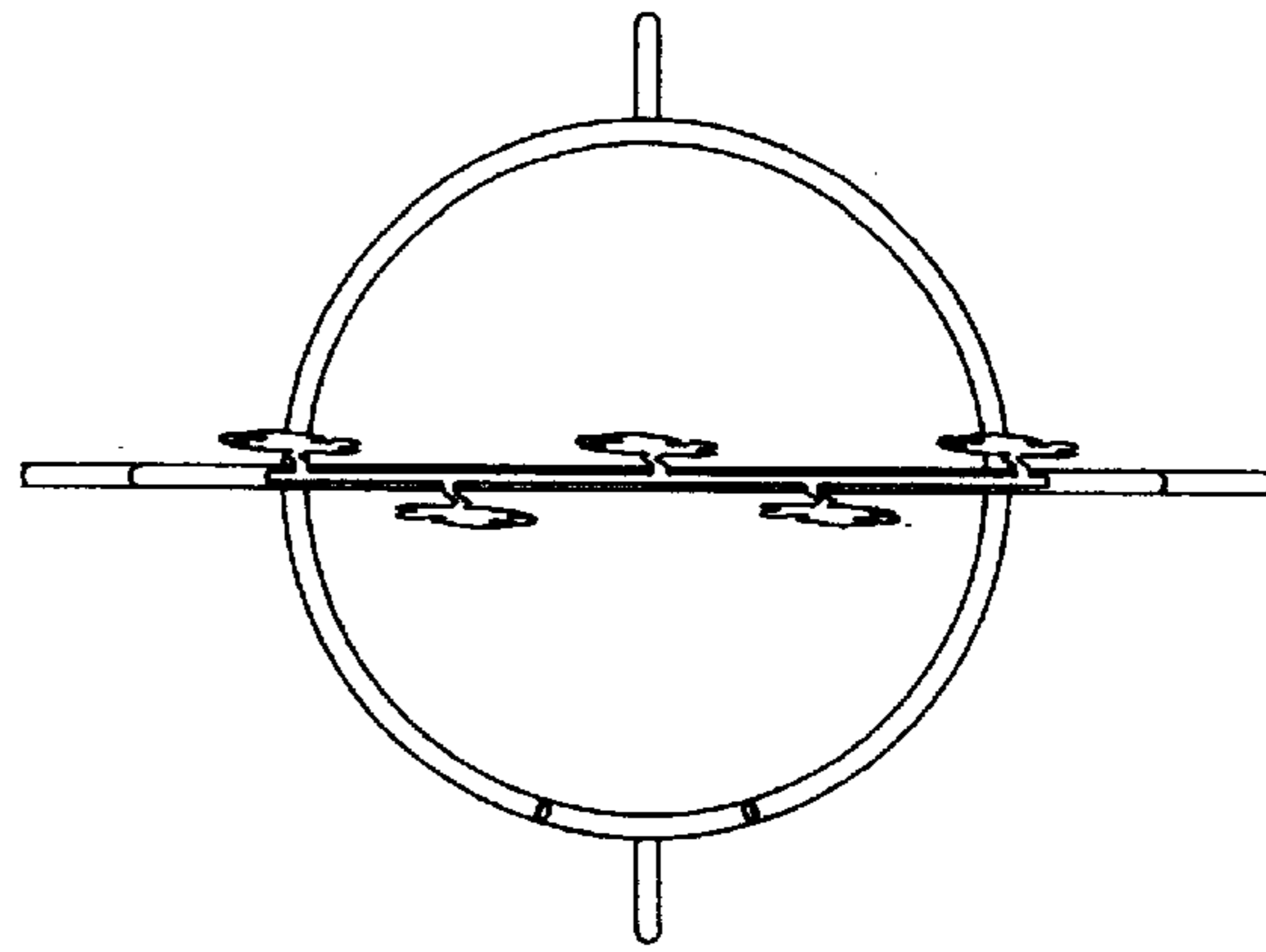


FIG. 4

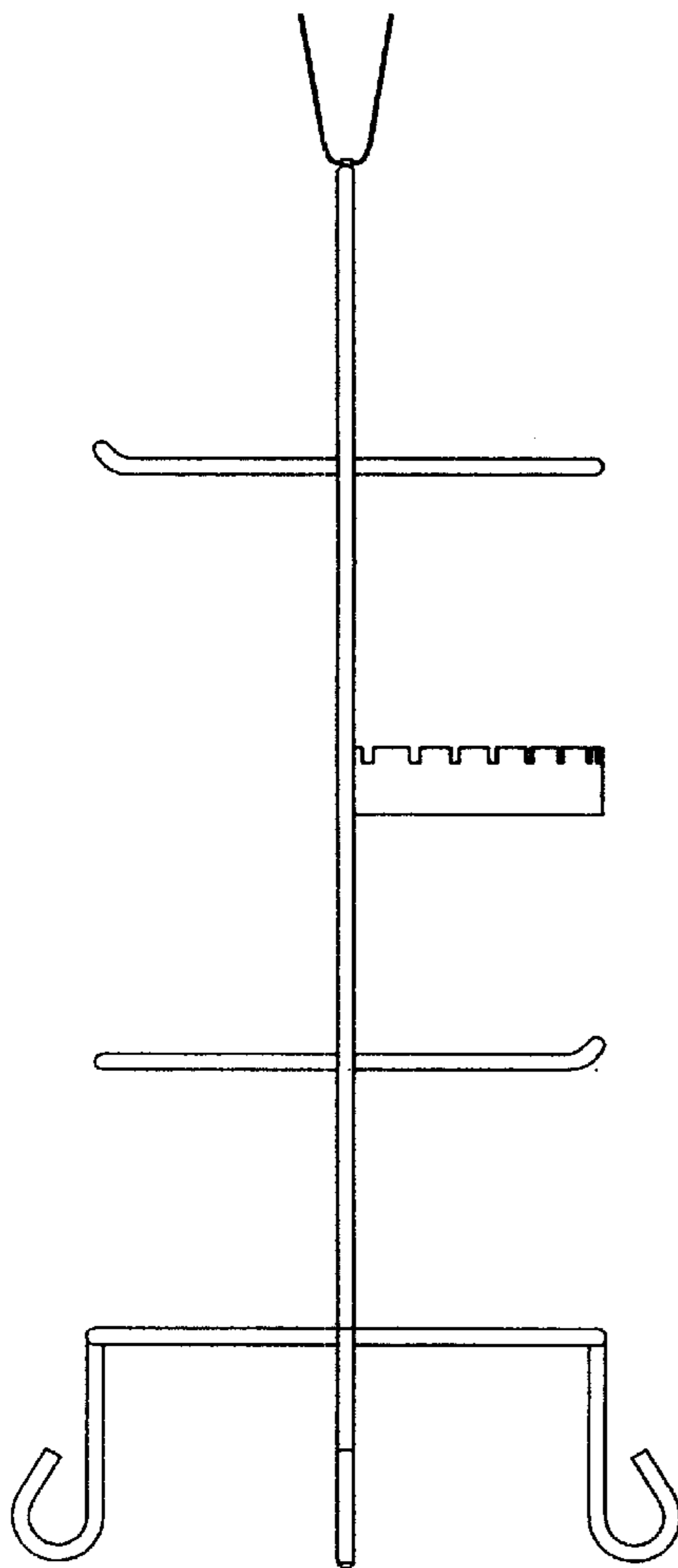


FIG. 5

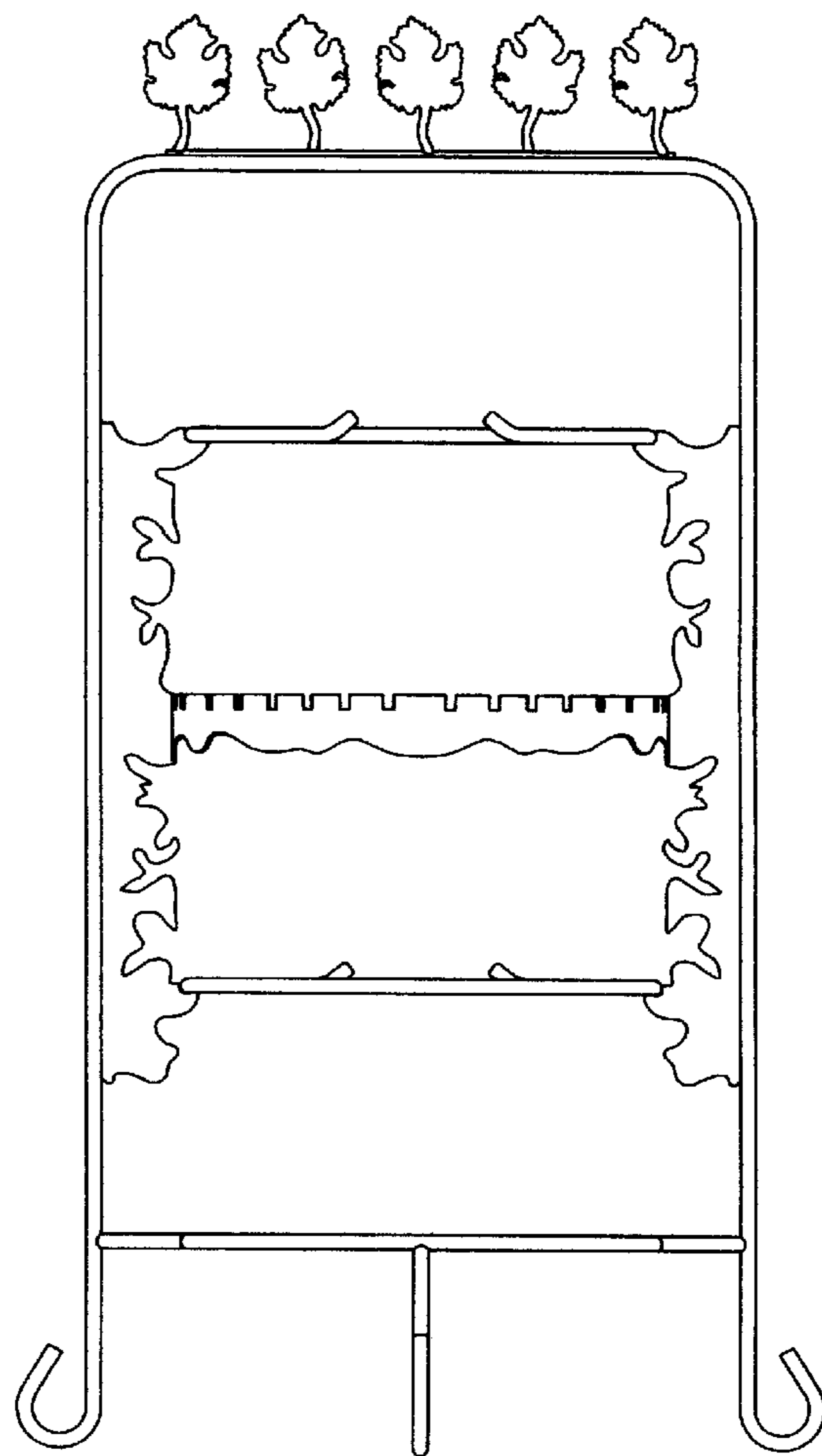


FIG. 6