



US00D532213S

(12) **United States Design Patent** (10) **Patent No.:** **US D532,213 S**
Jannetides, Sr. (45) **Date of Patent:** **** Nov. 21, 2006**

(54) **LOFT BED**

(75) Inventor: **James N. Jannetides, Sr.**, Fishers, IN (US)

(73) Assignee: **J Squared, Inc.**, Indianapolis, IN (US)

(**) Term: **14 Years**

(21) Appl. No.: **29/255,904**

(22) Filed: **Mar. 13, 2006**

Related U.S. Application Data

(63) Continuation of application No. 11/327,891, filed on Jan. 9, 2006, which is a continuation of application No. 10/824,764, filed on Apr. 14, 2004, now Pat. No. 6,983,494.

(51) **LOC (8) Cl.** **06-01**

(52) **U.S. Cl.** **D6/383**

(58) **Field of Classification Search** D6/382-384, D6/388, 393-395, 505-508; 5/53.1, 907, 5/279.1, 280, 281, 2.1, 9.1, 100, 425, 428
See application file for complete search history.

(56) **References Cited**

U.S. PATENT DOCUMENTS

3,316,564	A	*	5/1967	Rogers, Jr.	5/9.1
D250,499	S	*	12/1978	O'Gwin et al.	D6/388
5,572,751	A	*	11/1996	Brandt	5/9.1
D405,288	S	*	2/1999	Woodhams	D6/383
6,983,494	B1	*	1/2006	Jannetides	5/9.1
2005/0273929	A1	*	12/2005	Hennings et al.	5/201
2006/0107457	A1	*	5/2006	Jannetides	5/2.1

* cited by examiner

Primary Examiner—Janice E. Seeger

(74) *Attorney, Agent, or Firm*—William F. Bahret; P. Derek Pressley

(57) **CLAIM**

The ornamental design for a loft bed, as shown and described.

DESCRIPTION

FIG. 1 is a perspective view of a loft bed showing my new design;

FIG. 2 is a front elevation view thereof;

FIG. 3 is a rear elevation view thereof;

FIG. 4 is a left side elevation view thereof;

FIG. 5 is a right side elevation view thereof;

FIG. 6 is a top plan view thereof;

FIG. 7 is a bottom plan view thereof;

FIG. 8 is a perspective view of a second embodiment of a loft bed showing my new design;

FIG. 9 is a front elevation view thereof;

FIG. 10 is a rear elevation view thereof;

FIG. 11 is a left side elevation view thereof;

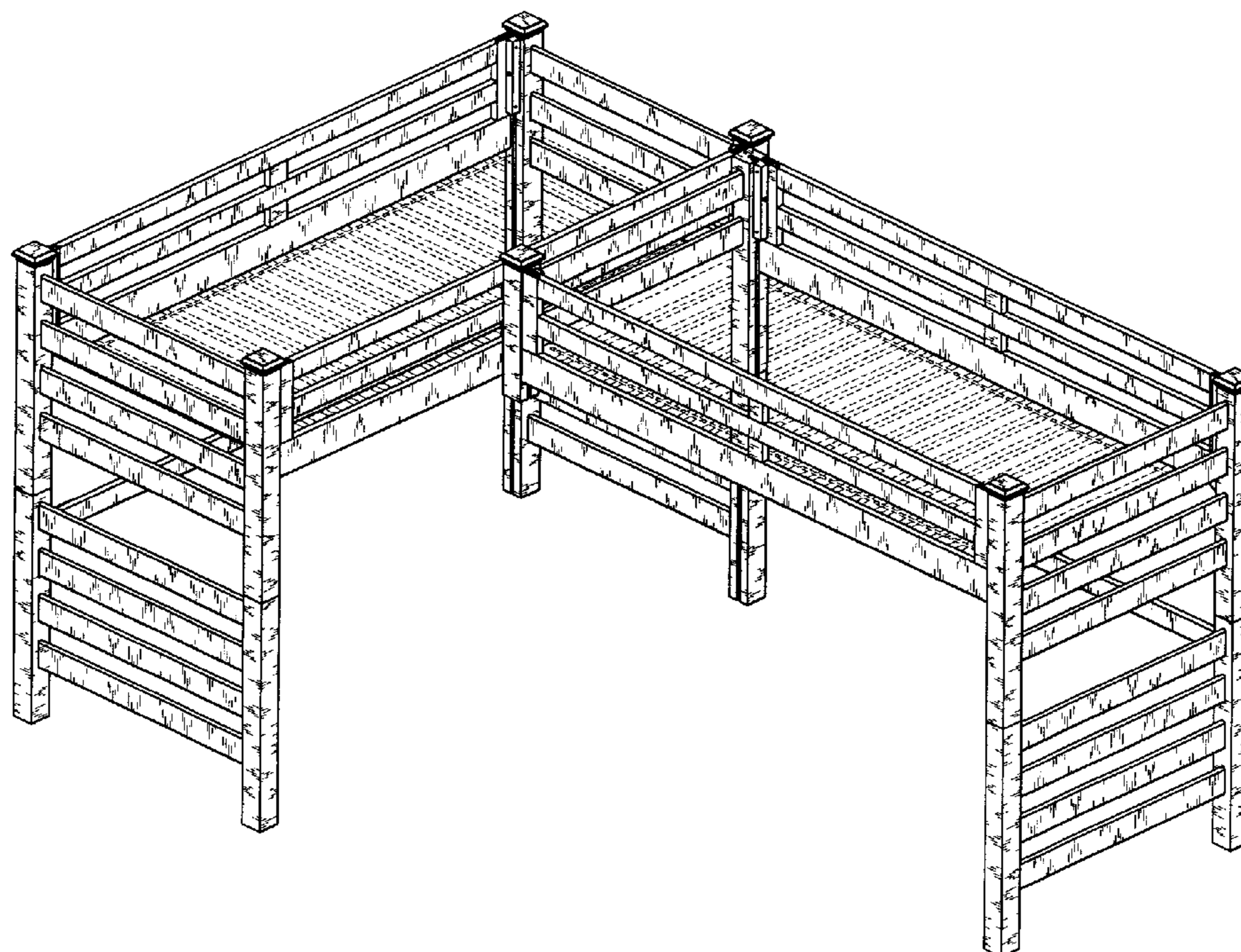
FIG. 12 is a right side elevation view thereof;

FIG. 13 is a top plan view thereof; and,

FIG. 14 is a bottom plan view thereof.

The broken line elements in the drawings are shown solely to illustrate environments in which my new design is used, and form no part of the claimed design.

1 Claim, 14 Drawing Sheets



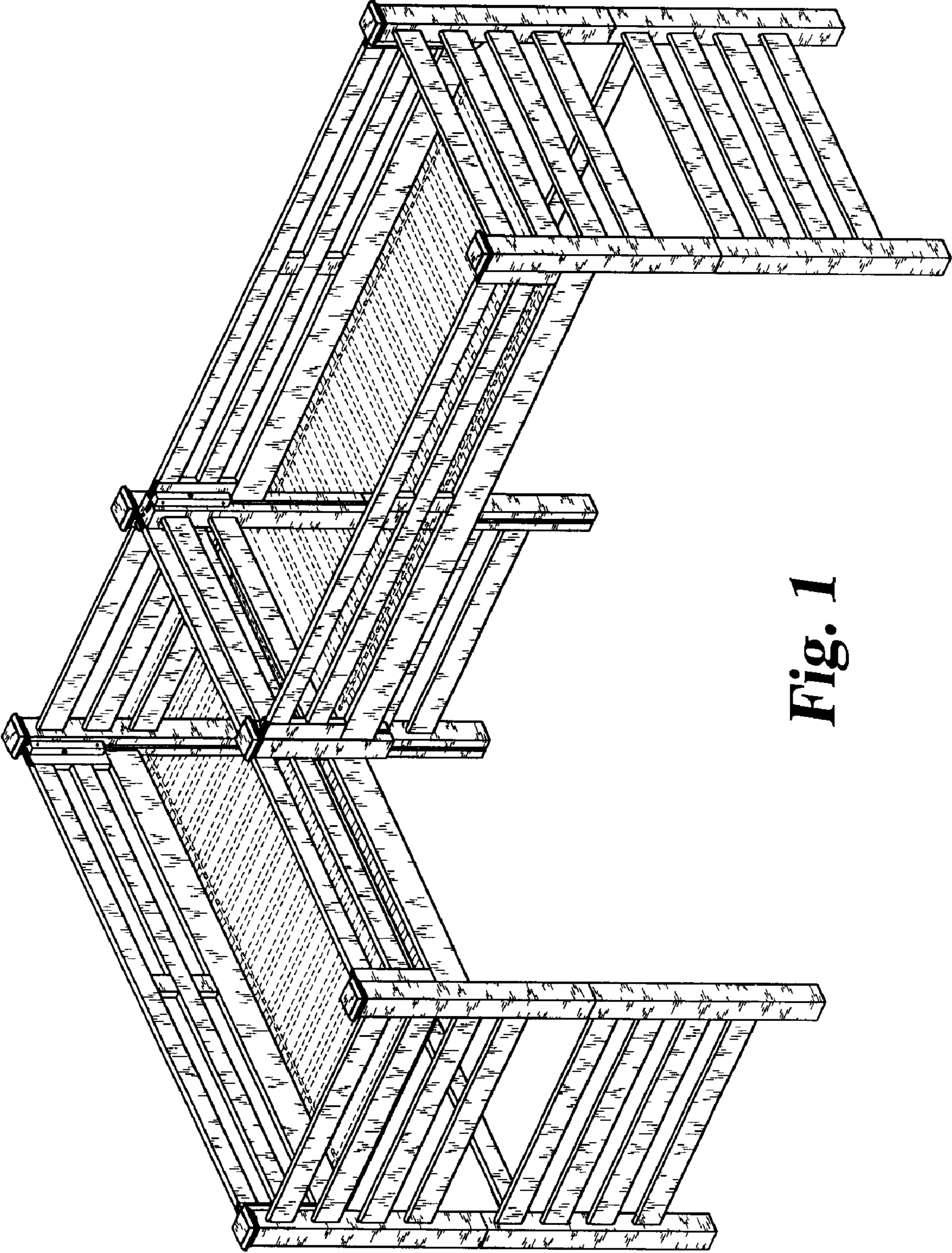


Fig. 1

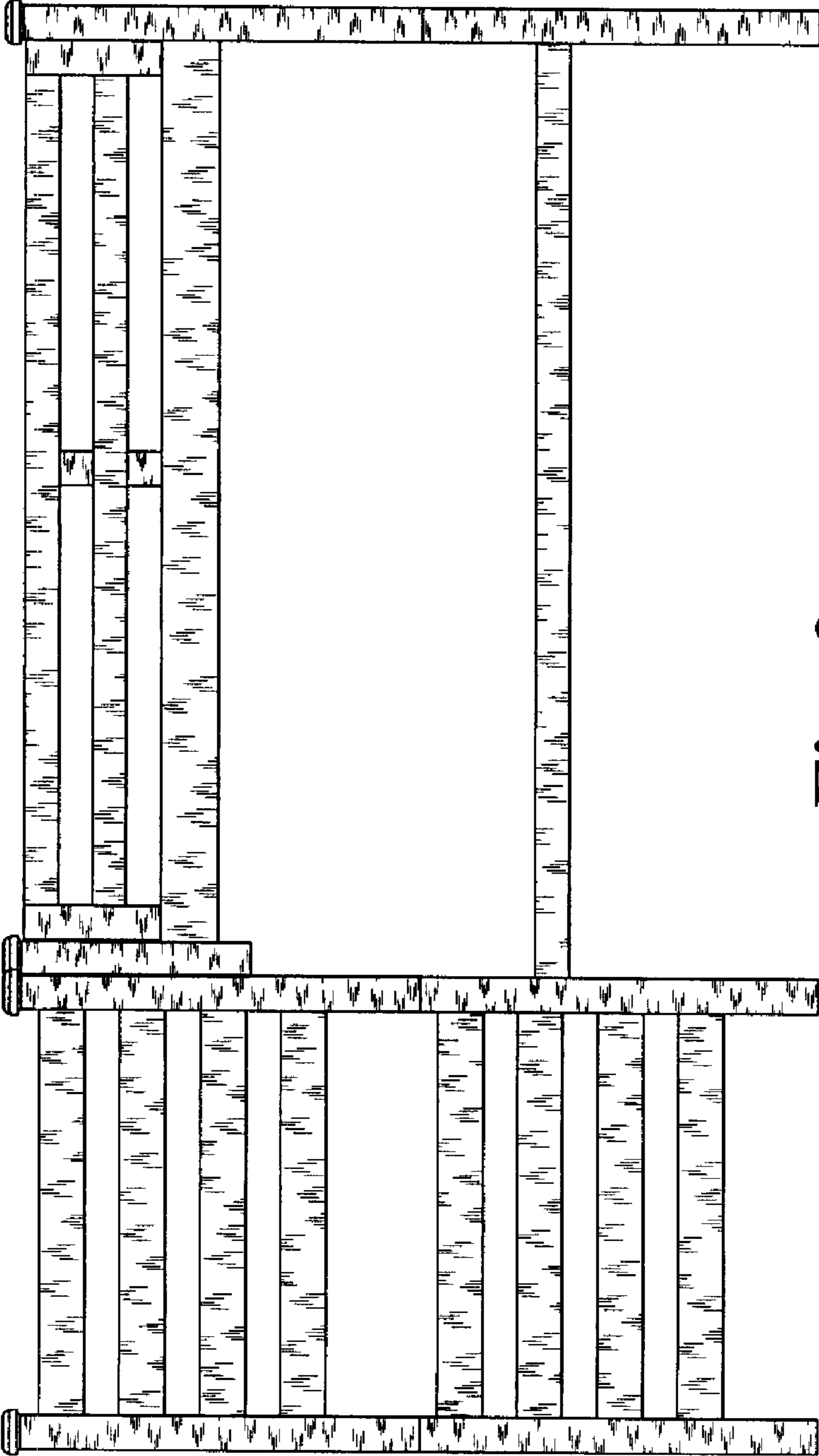


Fig. 2

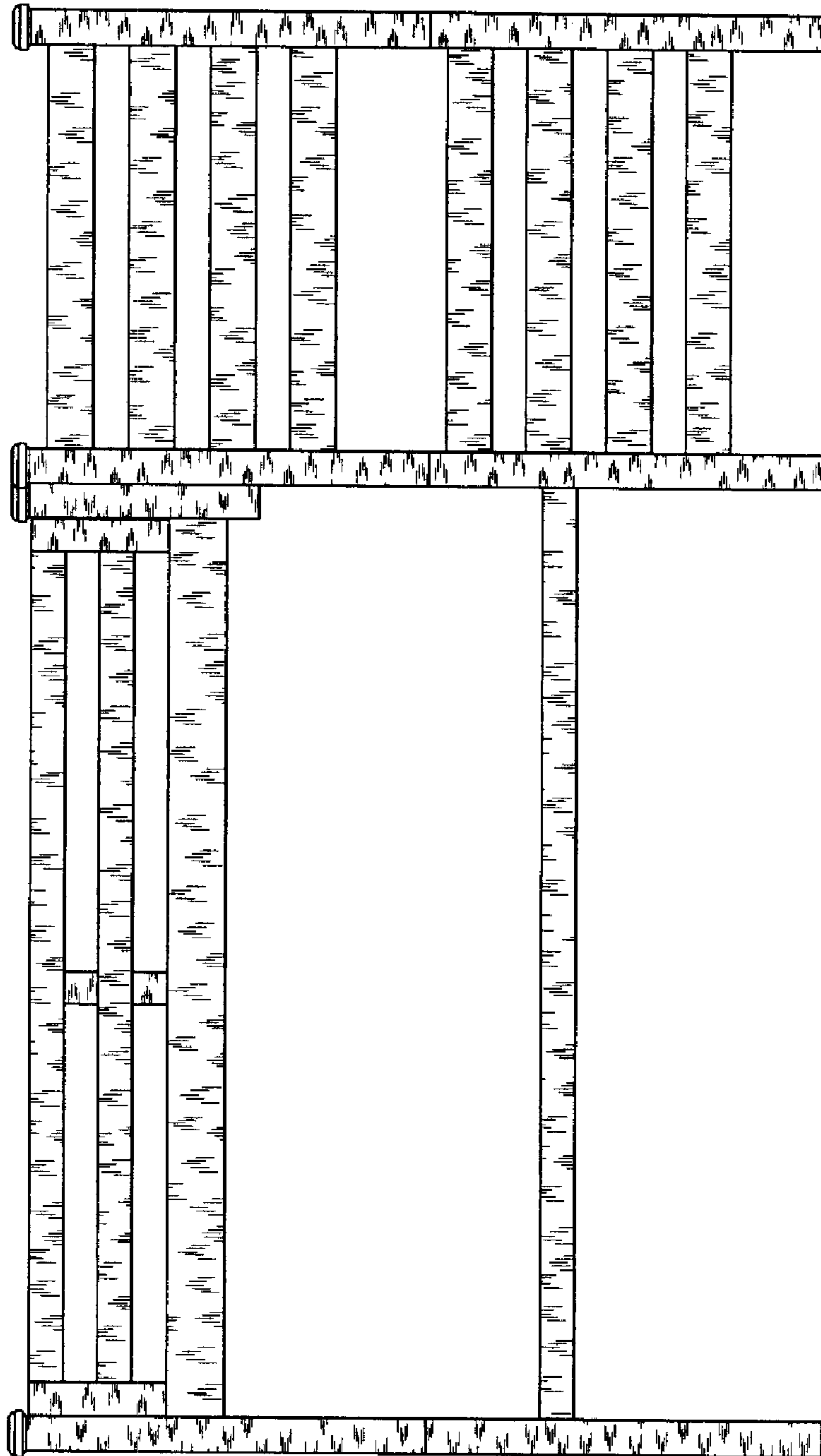


Fig. 3

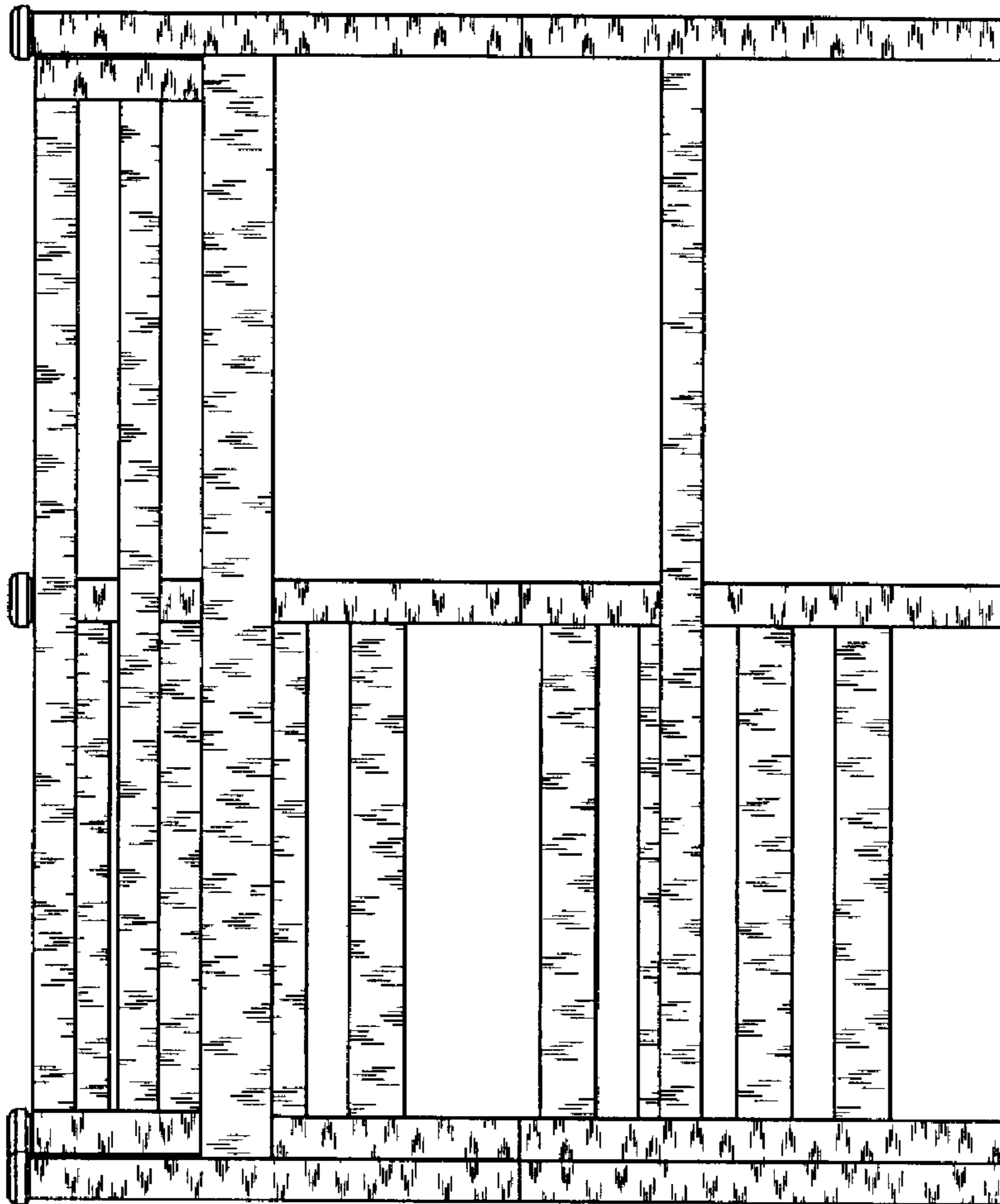


Fig. 4

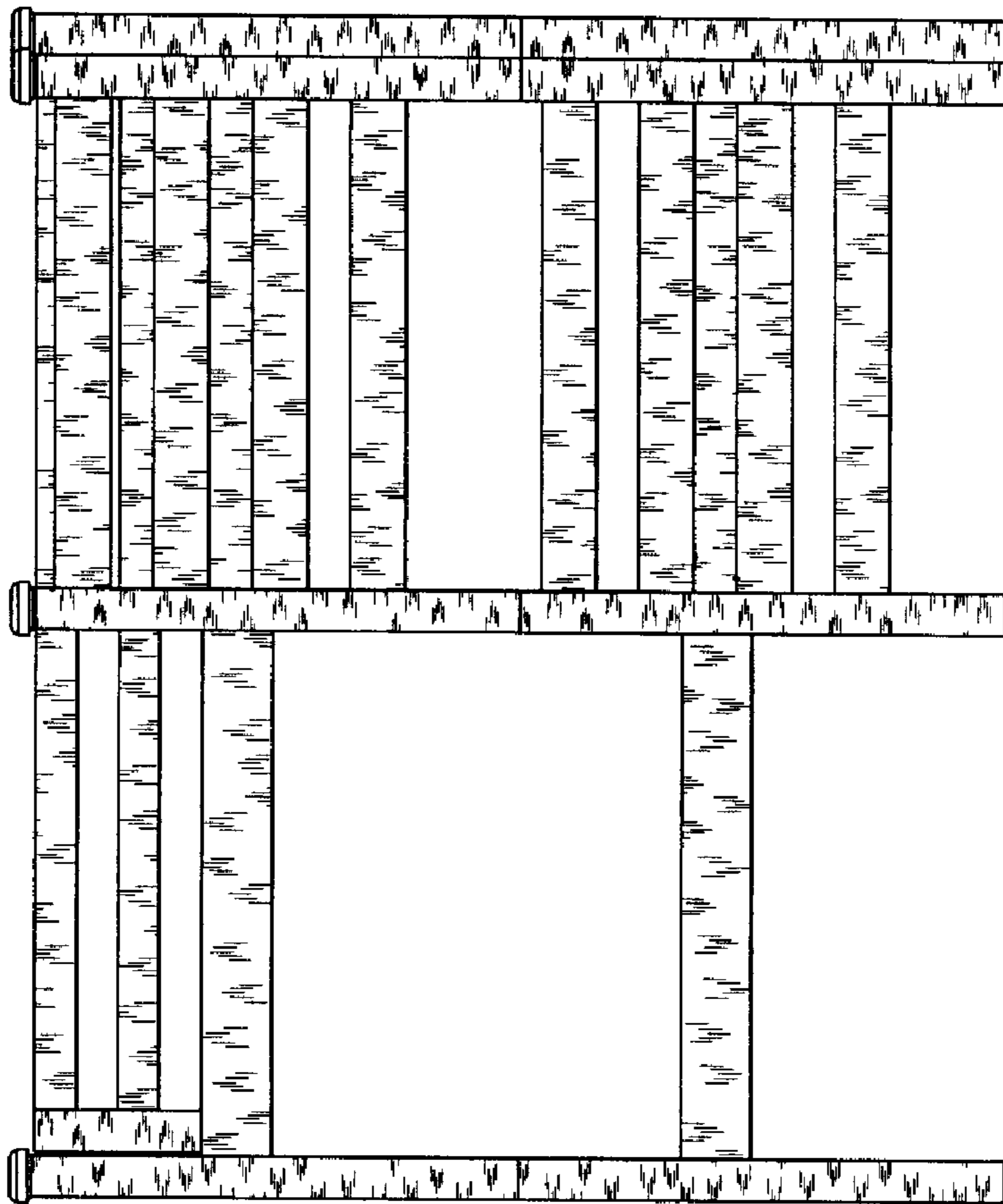


Fig. 5

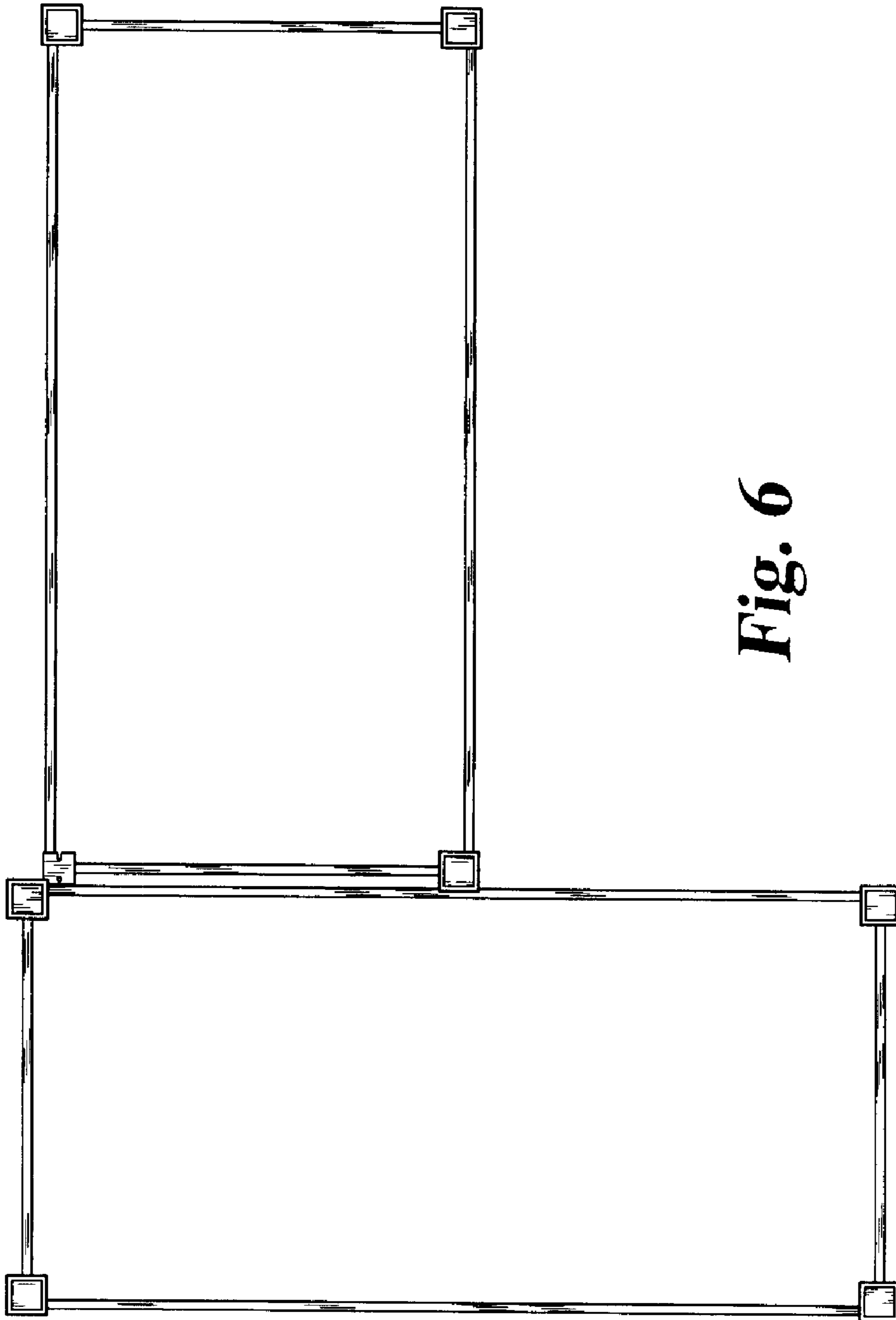


Fig. 6

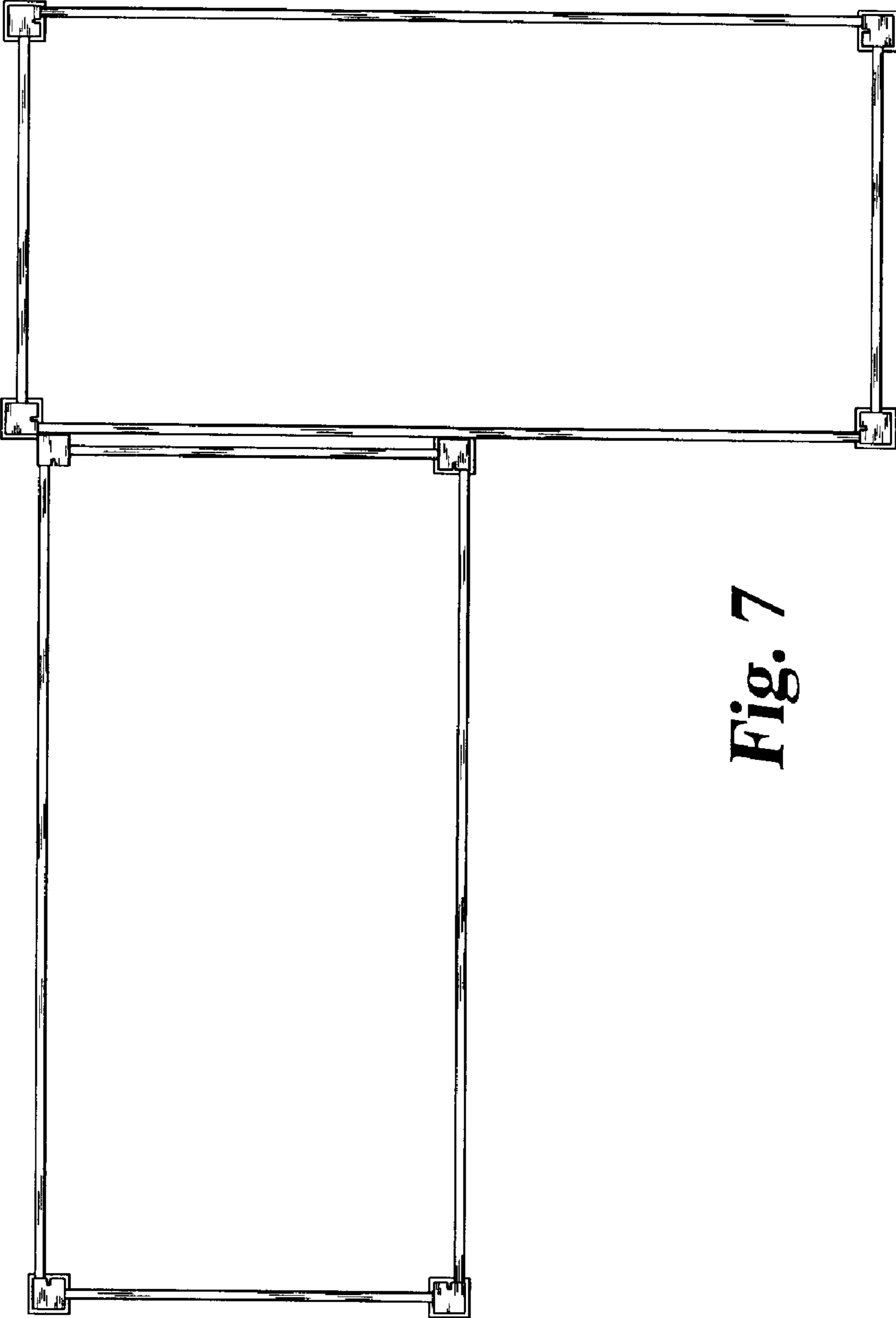


Fig. 7

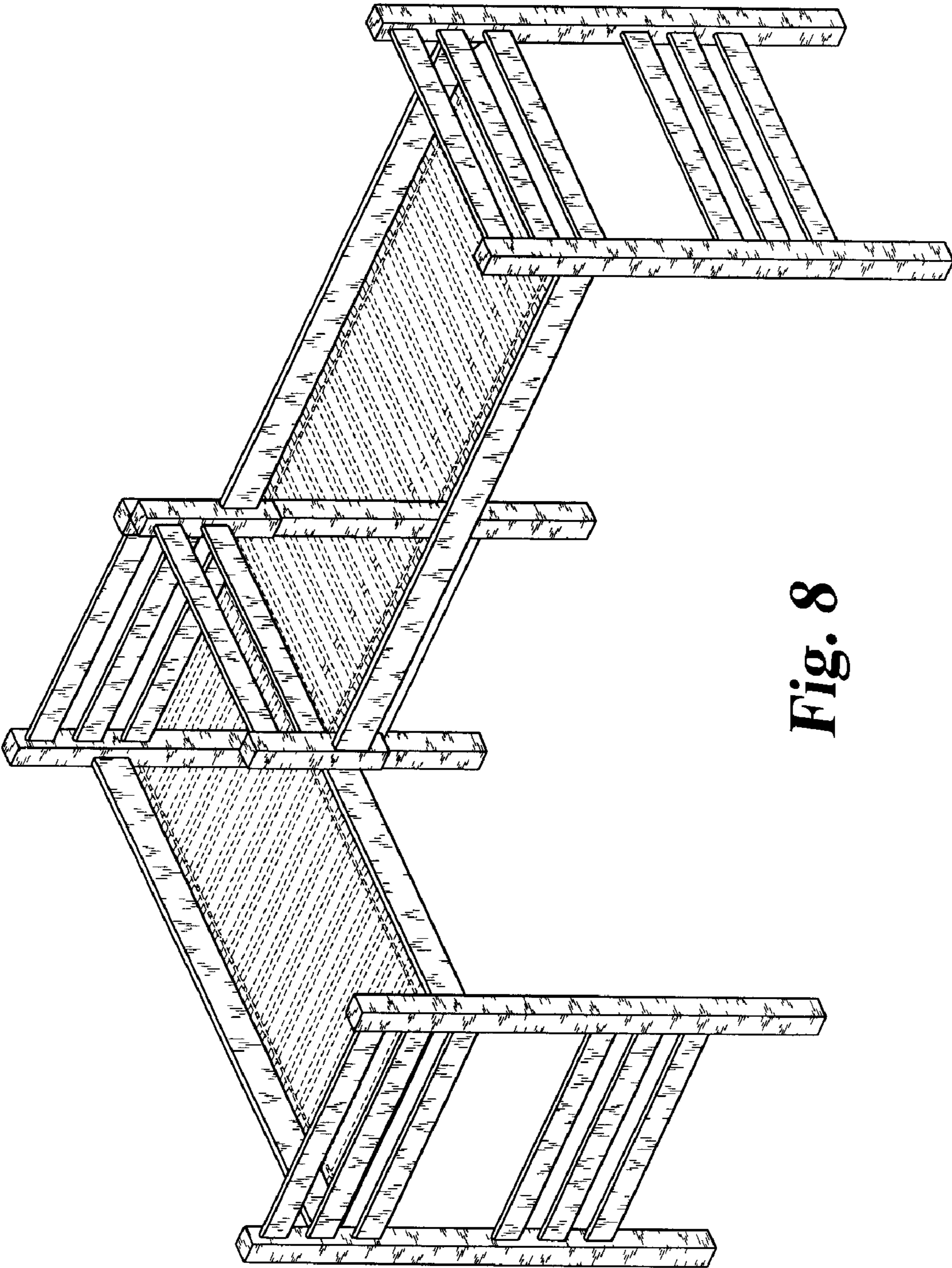


Fig. 8

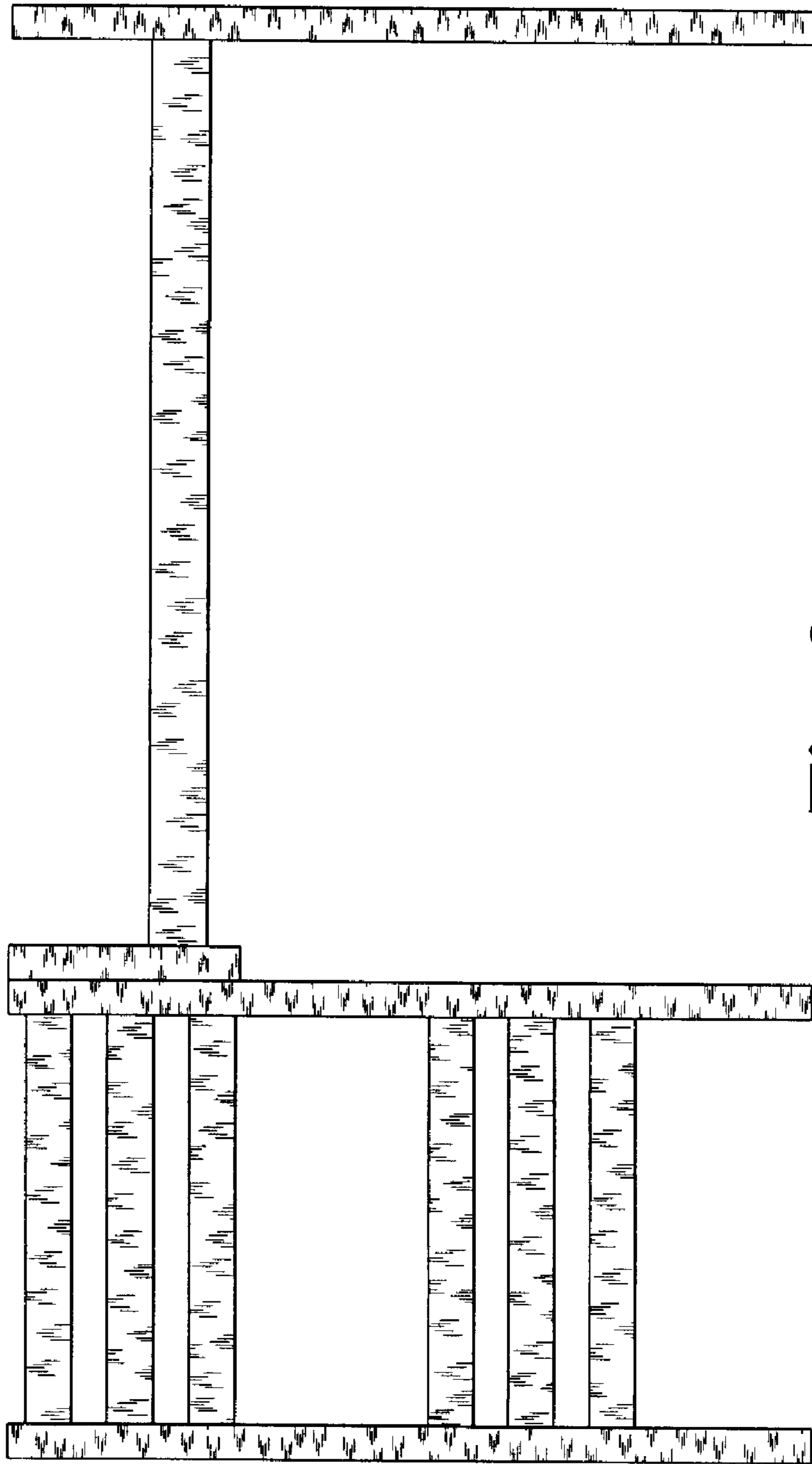


Fig. 9

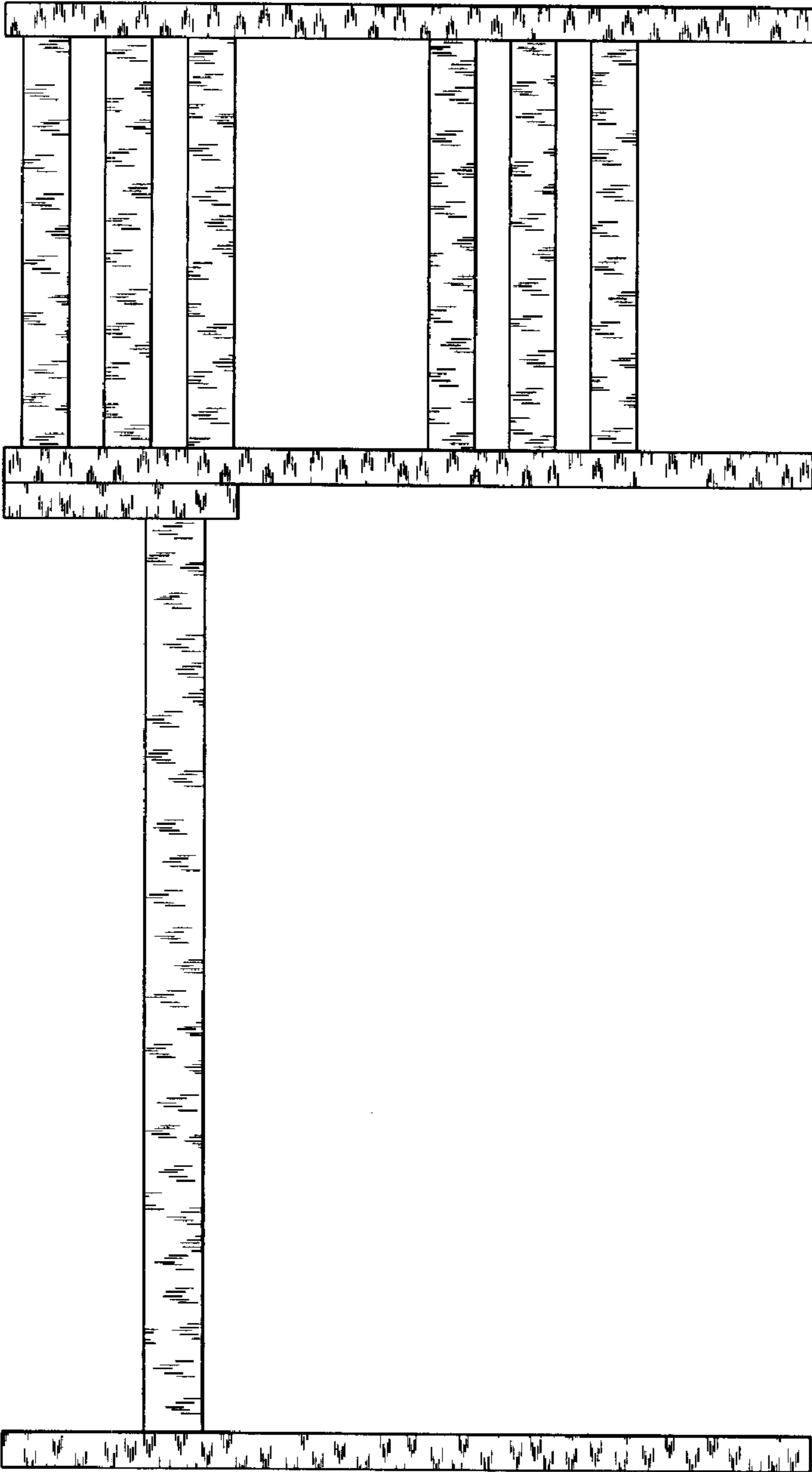


Fig. 10

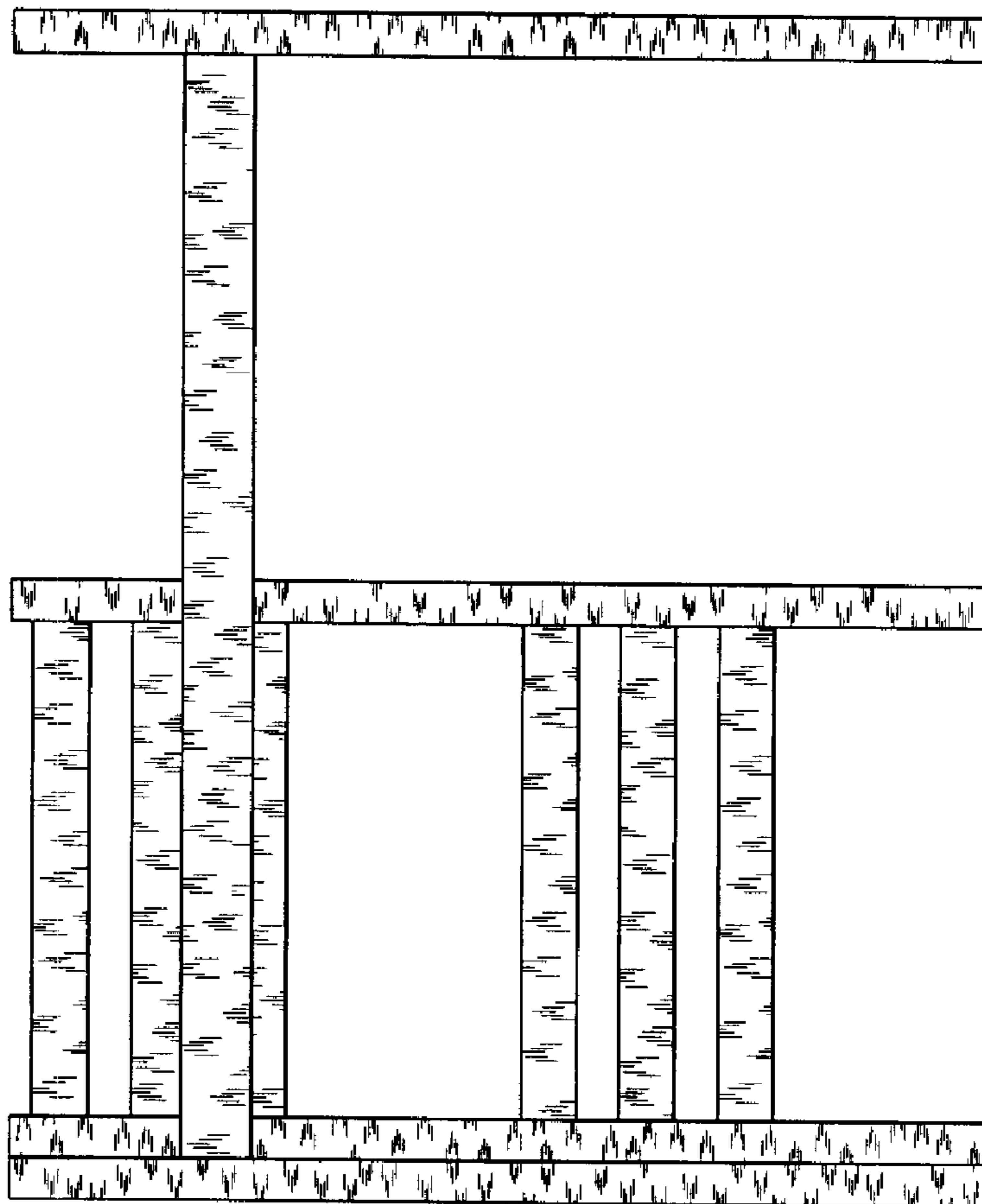


Fig. 11

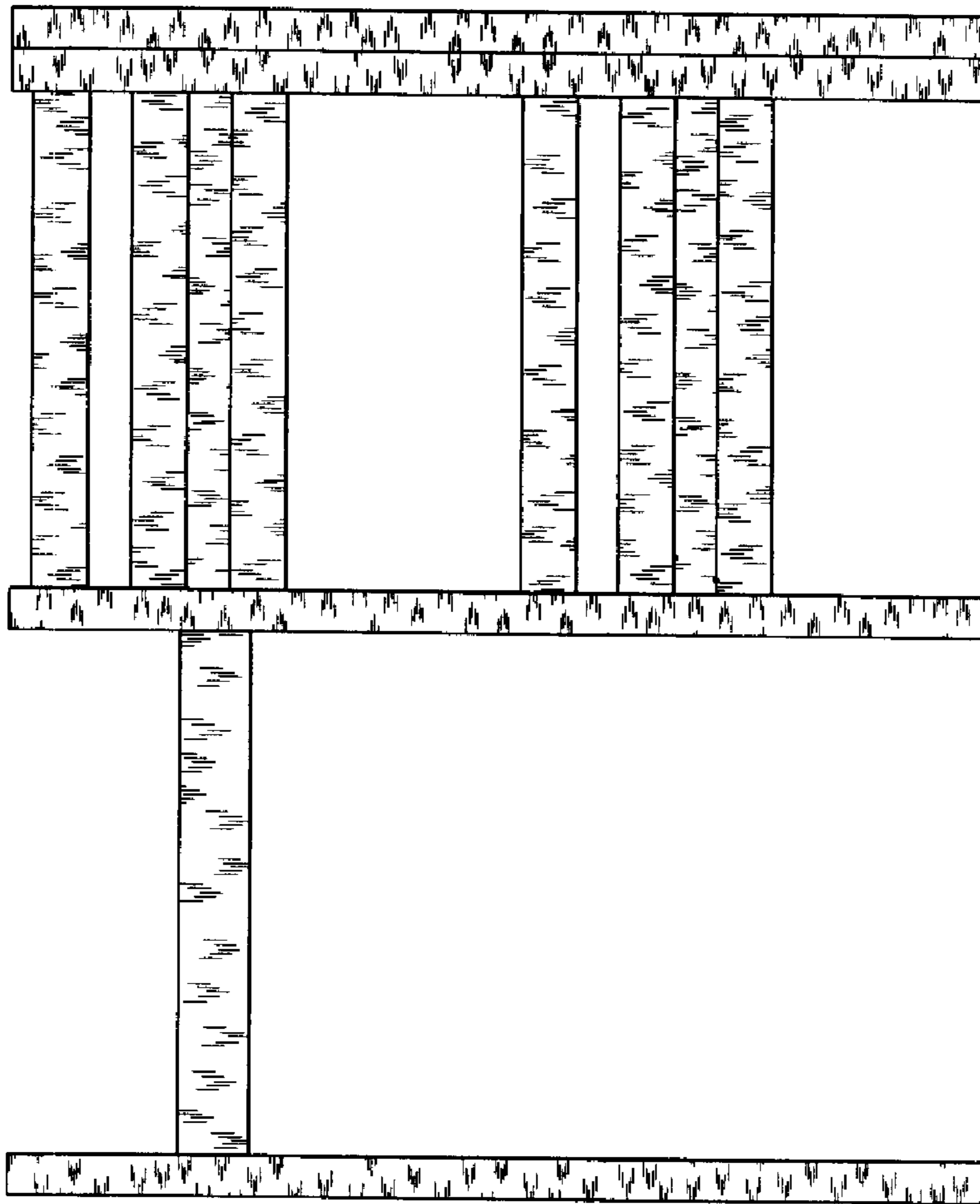


Fig. 12

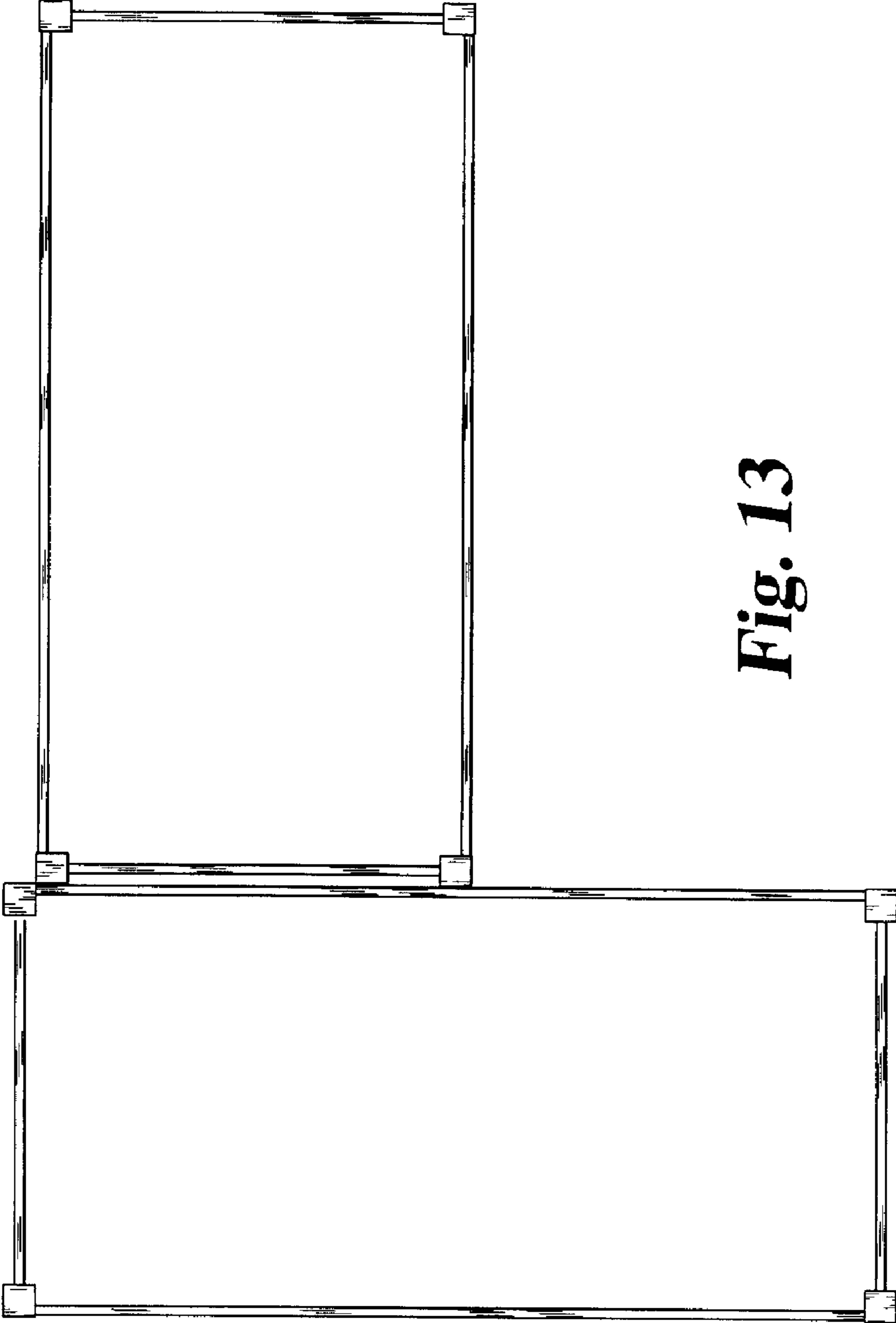


Fig. 13

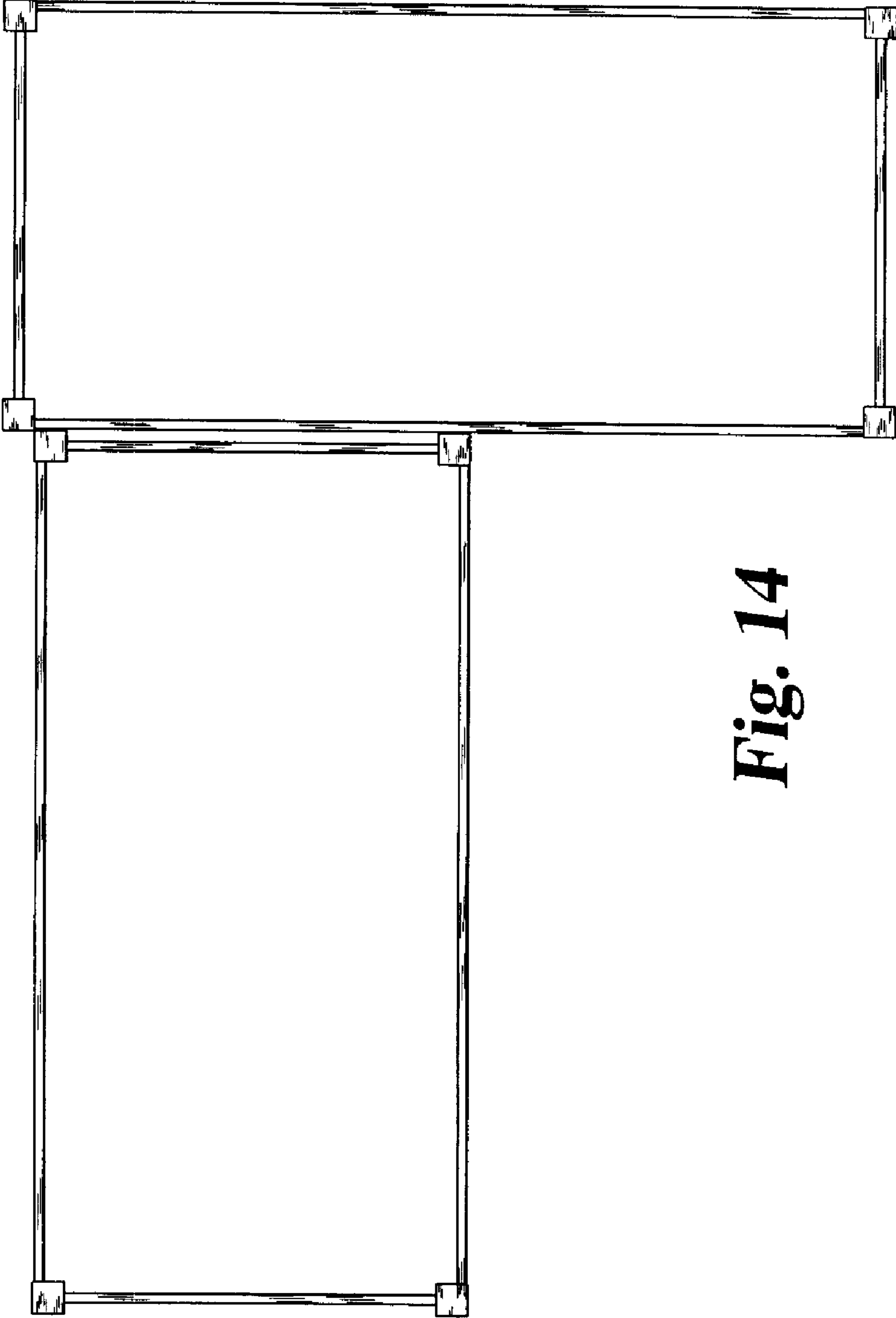


Fig. 14