



US00D532207S

(12) **United States Design Patent** (10) **Patent No.:** **US D532,207 S**  
**Snell** (45) **Date of Patent:** **\*\* Nov. 21, 2006**

(54) **MIRROR ASSEMBLY**

(75) Inventor: **Russell Benton Snell**, Bentleyville, OH (US)

(73) Assignee: **InterDesign, Inc.**, Solon, OH (US)

(\*\*) Term: **14 Years**

(21) Appl. No.: **29/230,742**

(22) Filed: **May 25, 2005**

(51) **LOC (8) Cl.** ..... **06-07**

(52) **U.S. Cl.** ..... **D6/300**

(58) **Field of Classification Search** ..... D6/300-314;  
40/700, 711, 714, 719-722, 735, 738, 597,  
40/744, 745, 754, 765, 768, 769, 790, 798;  
248/469, 467

See application file for complete search history.

(56) **References Cited**

**U.S. PATENT DOCUMENTS**

D258,475 S	*	3/1981	Edstrom	.....	D6/526
D282,993 S	*	3/1986	Sanford	.....	D6/526
D324,463 S	*	3/1992	Young	.....	D6/525
D486,962 S		2/2004	Snell		
D492,493 S		7/2004	Dretzka		
D505,555 S		5/2005	Snell		
D506,877 S		7/2005	Snell		

**OTHER PUBLICATIONS**

InterDesign 2004 product catalog, 2004, p. 23 with cover page, rear cover page.

\* cited by examiner

*Primary Examiner*—Janice E. Seeger  
*Assistant Examiner*—Sydney R. Buffalow

(74) *Attorney, Agent, or Firm*—D. Peter Hochberg; Sean Mellino

(57) **CLAIM**

The ornamental design for a mirror assembly, as shown and described.

**DESCRIPTION**

FIG. 1 is a perspective view of the mirror assembly according to the invention;

FIG. 2 is a top view of the mirror assembly as shown in FIG. 1;

FIG. 3 is a front view of the mirror assembly as shown in FIG. 1;

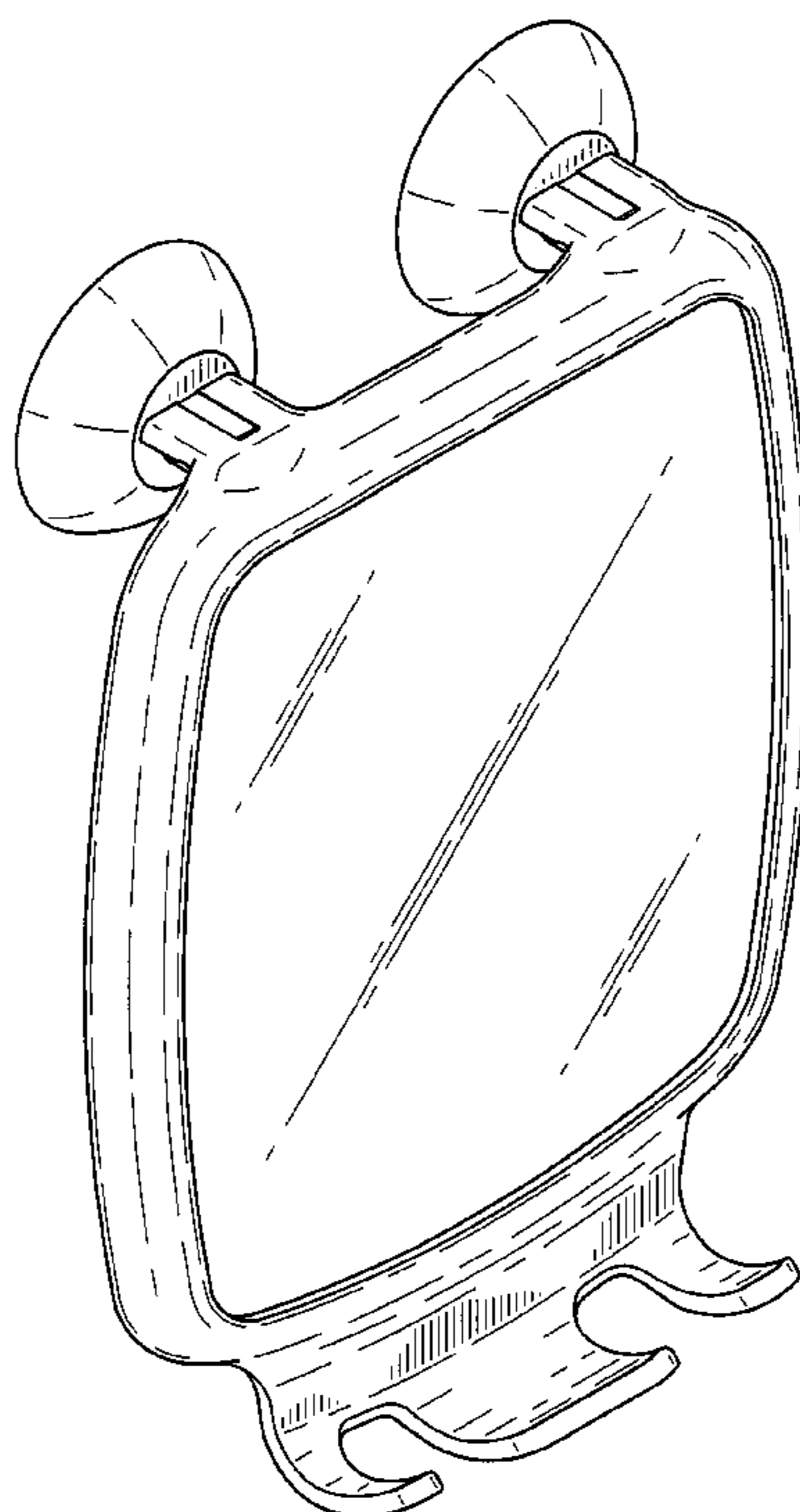
FIG. 4 is a side view of the mirror assembly as shown in FIG. 1;

FIG. 5 is a rear view of the mirror assembly as shown in FIG. 1;

FIG. 6 is a side view of the mirror assembly as shown in FIG. 1, viewed from the opposite side of that shown in FIG. 4; and,

FIG. 7 is a bottom view of the mirror assembly as shown in FIG. 1.

**1 Claim, 3 Drawing Sheets**



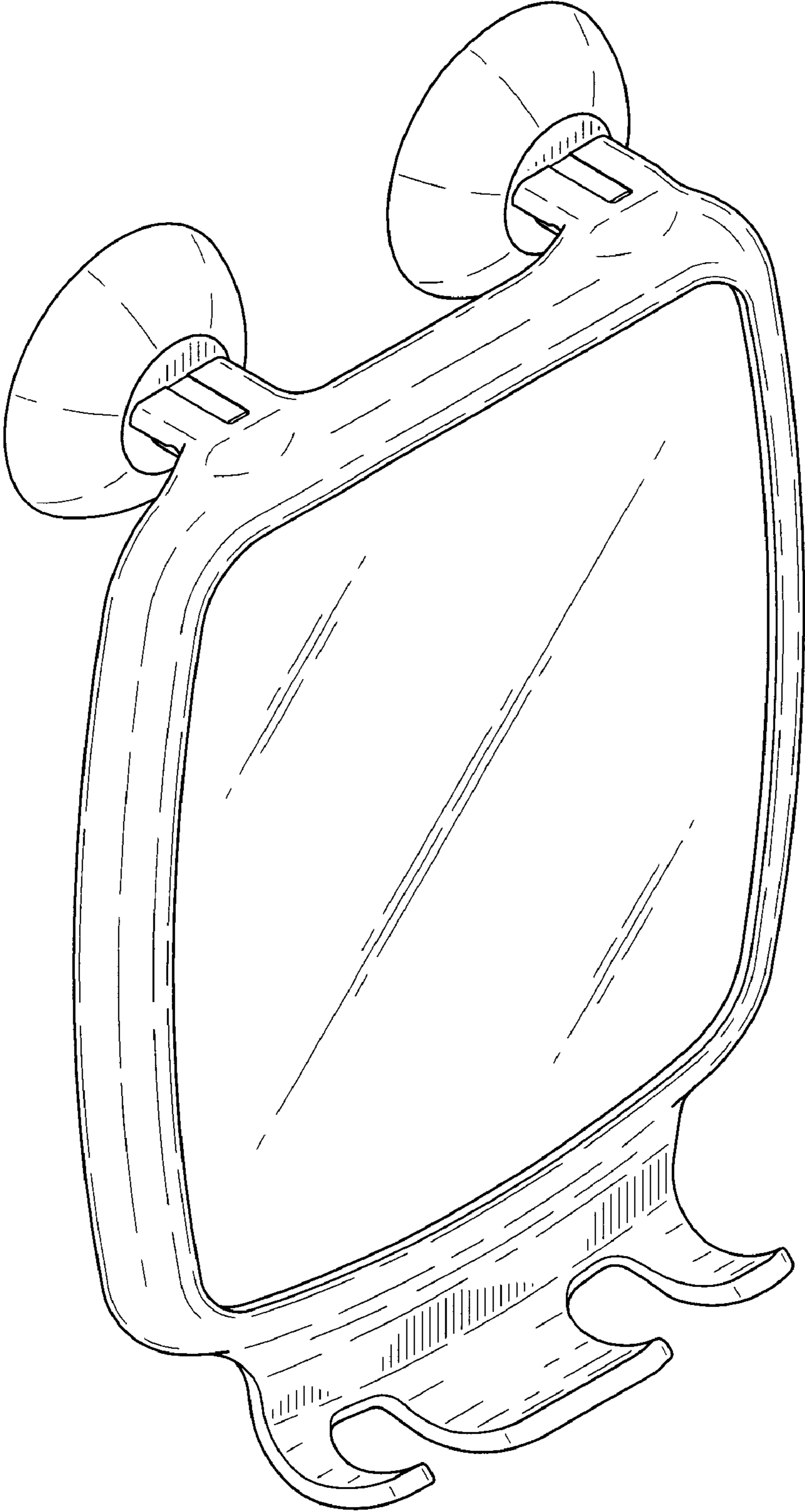


FIG-1

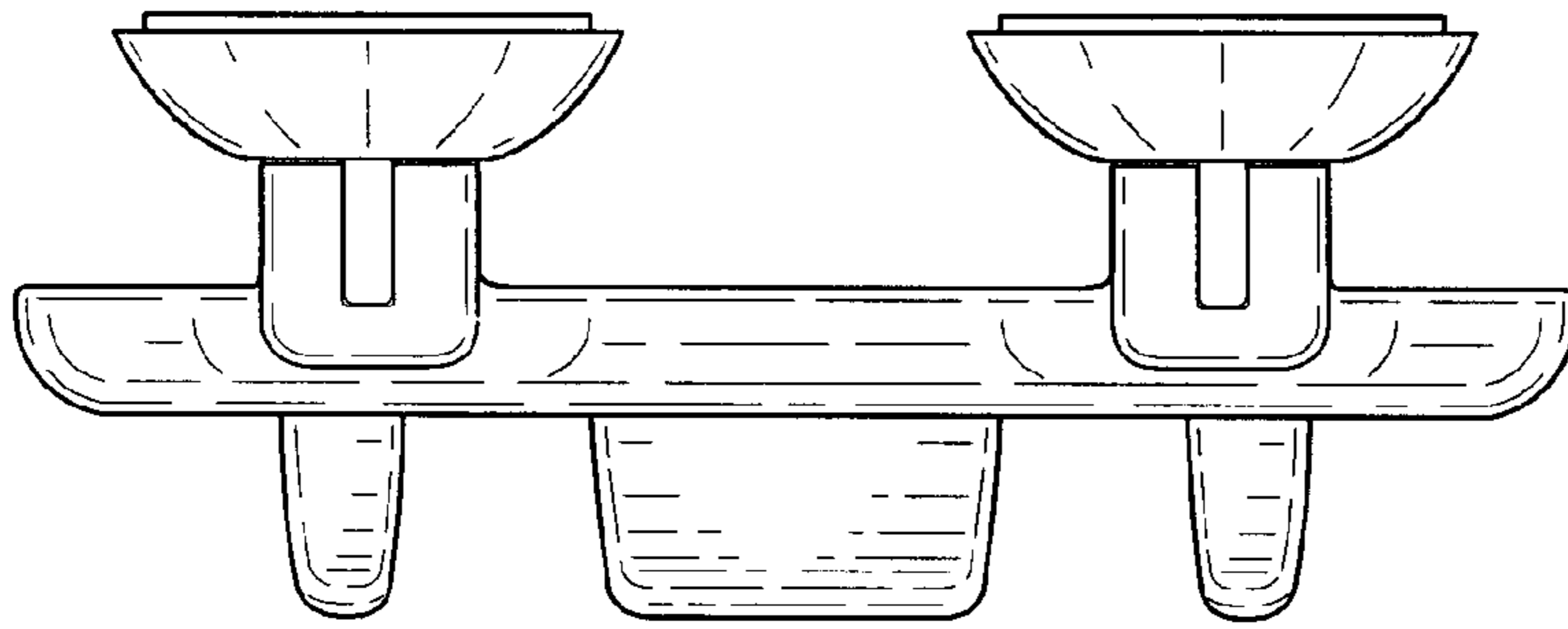


FIG-2

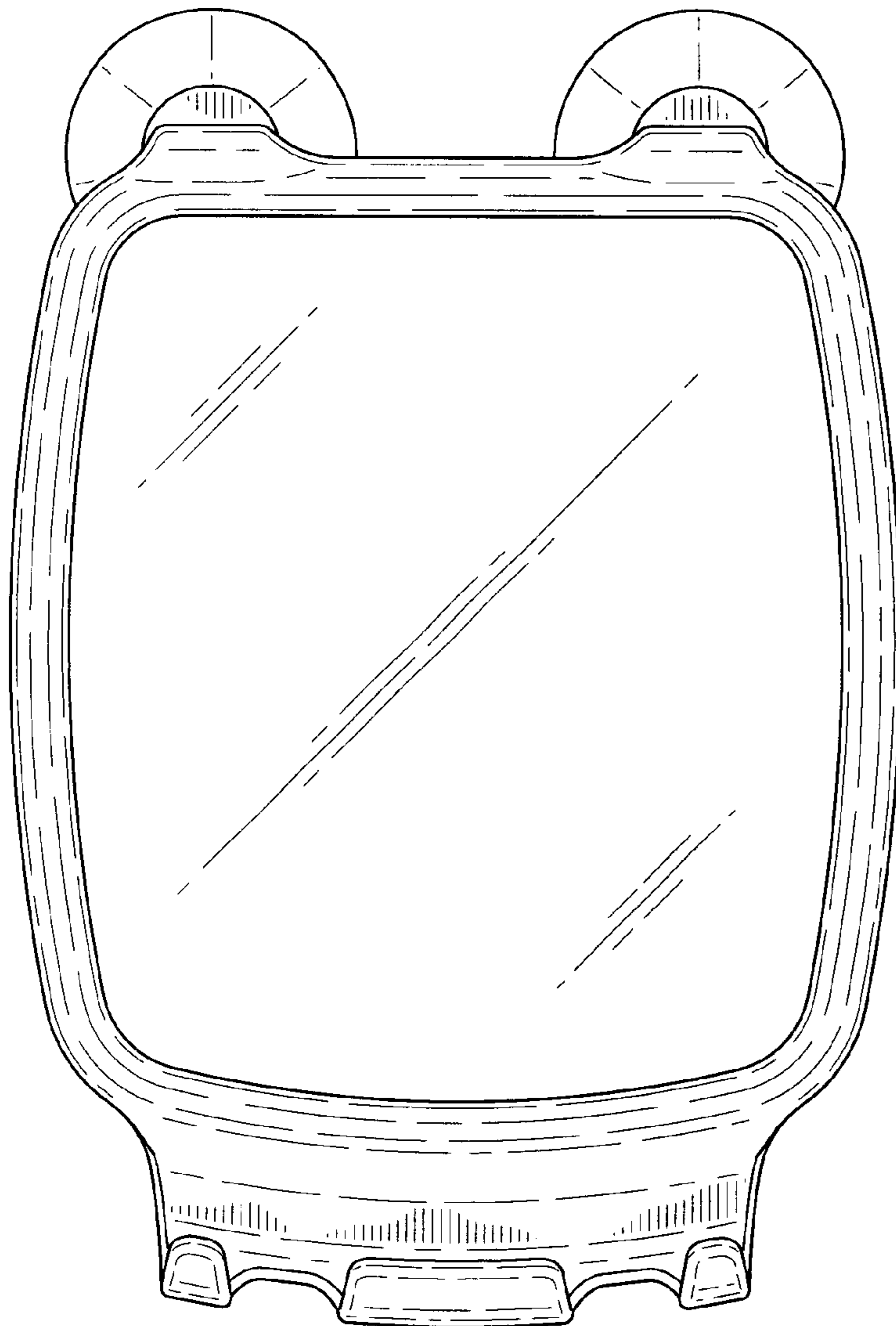


FIG-3

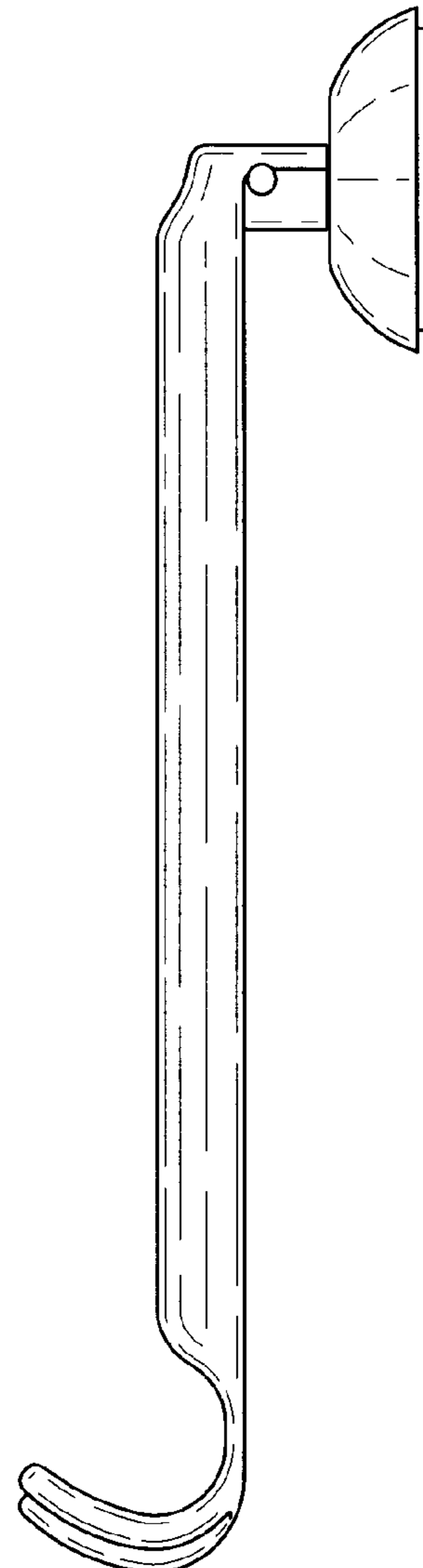


FIG-4

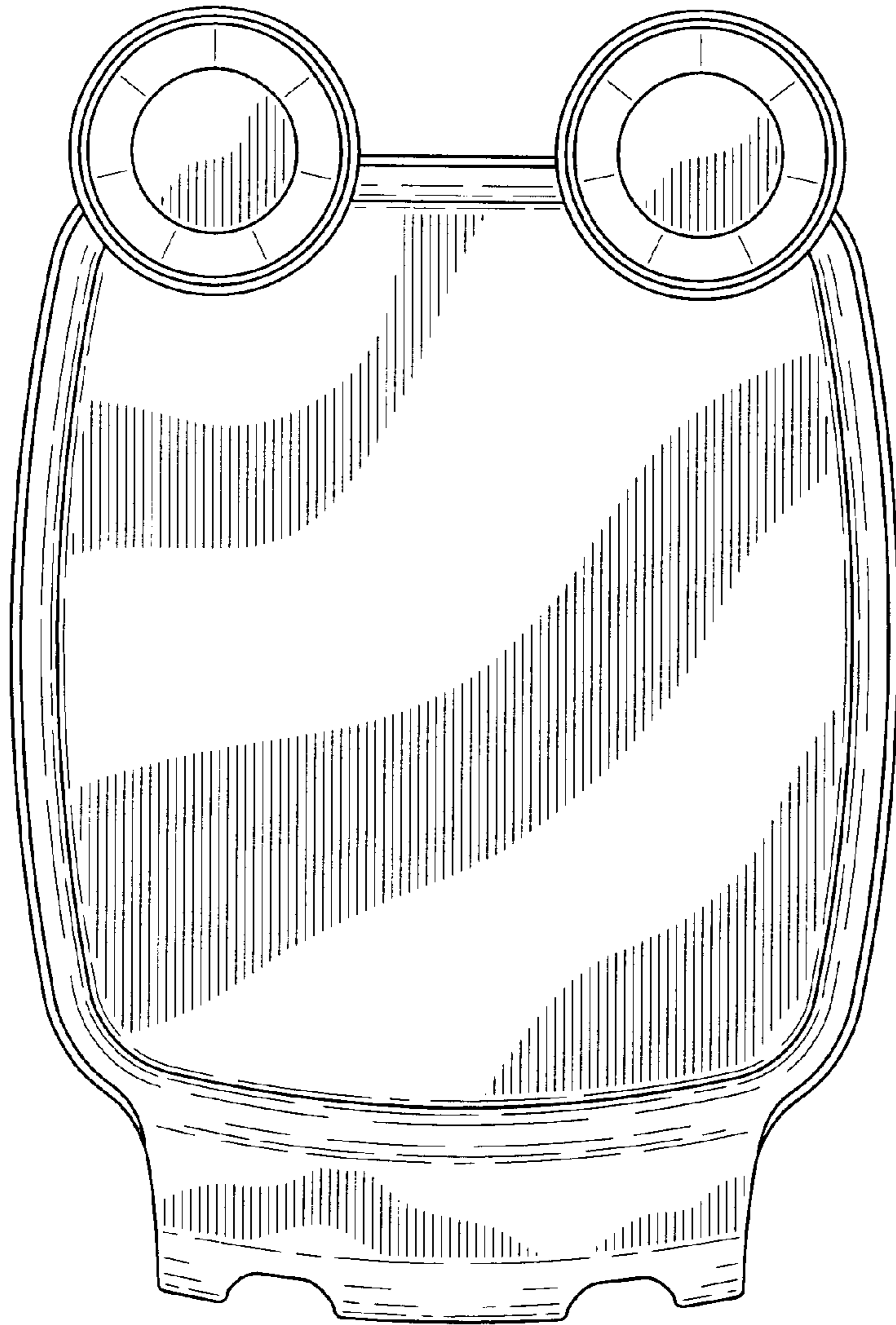


FIG-5

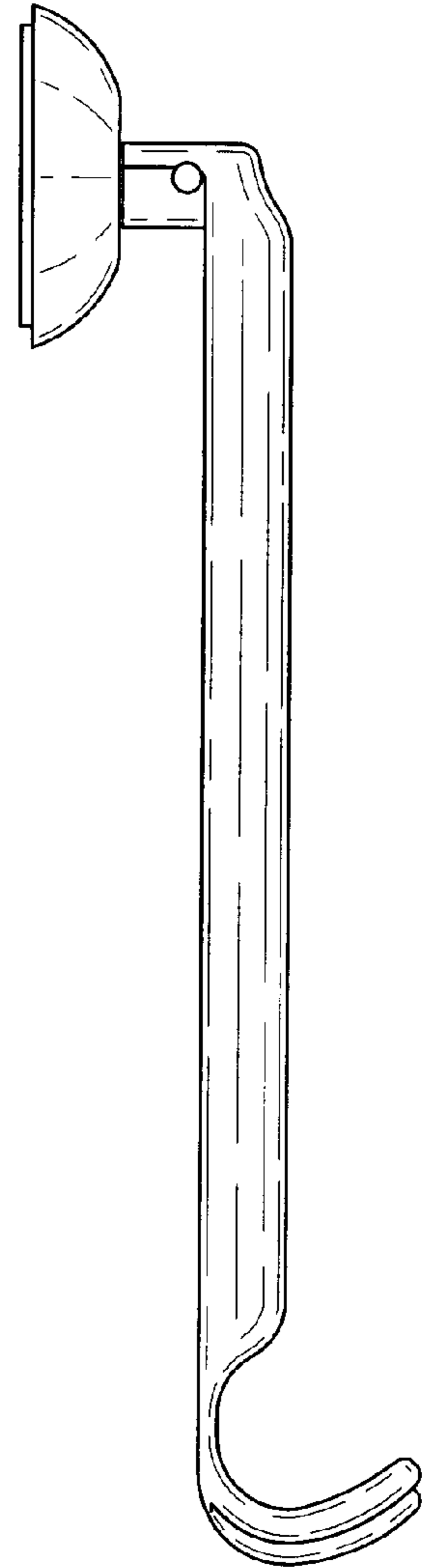


FIG-6

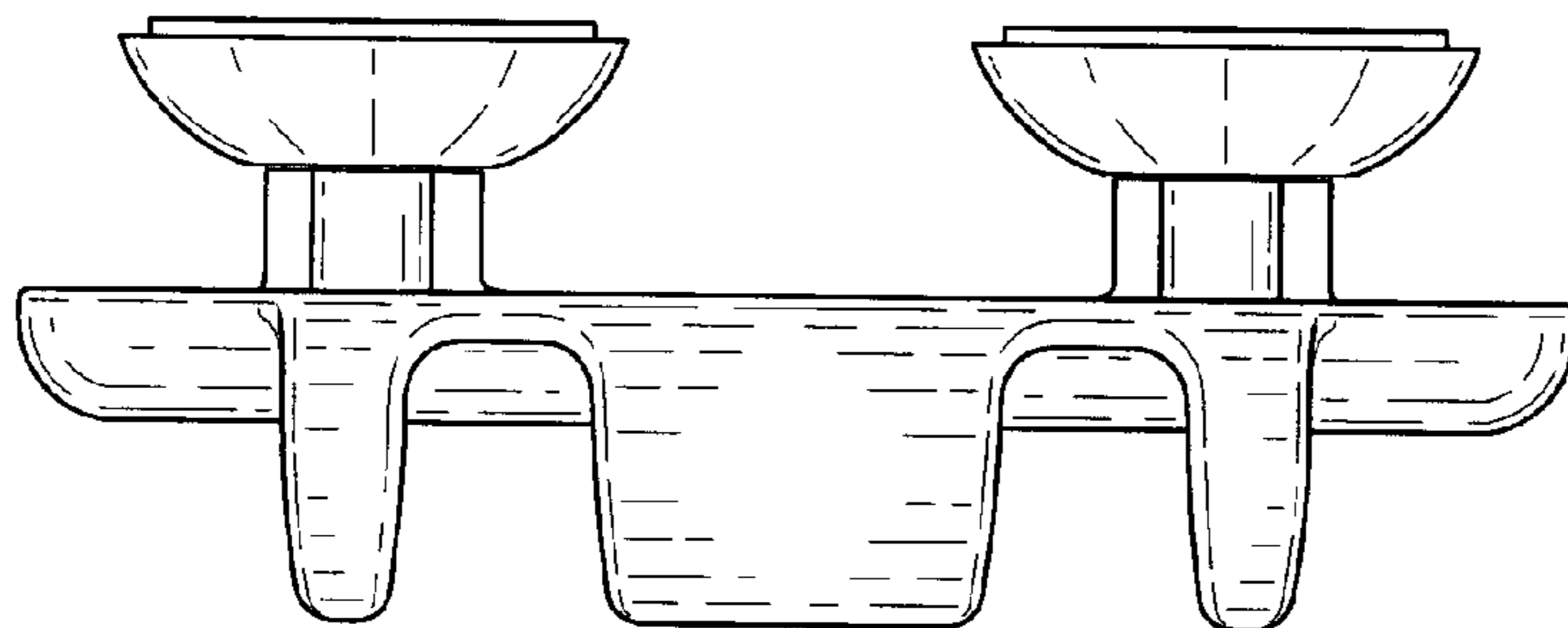


FIG-7