



US00D532203S

(12) **United States Design Patent**
Tuman et al.

(10) **Patent No.:** **US D532,203 S**
(45) **Date of Patent:** **** Nov. 21, 2006**

(54) **ROLLER**

(75) Inventors: **Scott J. Tuman**, Woodbury, MN (US);
Perry S. Dotterman, Maplewood, MN
(US); **Steven J. Maxa**, Burnsville, MN
(US); **Delphine Elisabeth Aubourg**,
Minneapolis, MN (US); **Arthur V.**
Lang, Maplewood, MN (US); **Mauro**
Porcini, Milan (IT); **Sigurdur**
Thorsteinsson, Milan (IT); **Chris**
Miller, Milan (IT)

(73) Assignee: **3M Innovative Properties Company**,
St. Paul, MN (US)

(**) Term: **14 Years**

(21) Appl. No.: **29/241,726**

(22) Filed: **Oct. 31, 2005**

(51) **LOC (8) Cl.** **08-05**

(52) **U.S. Cl.** **D4/122; D4/199**

(58) **Field of Classification Search** D4/122,
D4/123, 138, 199; 15/27, 104.002, 143.1,
15/230.11, 248.2; 16/110.1, 429; 492/13,
492/17, 19

See application file for complete search history.

(56) **References Cited**

U.S. PATENT DOCUMENTS

850,317	A	*	4/1907	Ridgely	492/13
1,270,410	A	*	6/1918	Hacker	15/230.11
2,401,842	A		6/1946	Slater		
3,115,663	A		12/1963	Hulst		
3,177,512	A		4/1965	Balaban		
3,192,548	A		7/1965	Wilbrecht		
3,201,815	A		8/1965	Selby		
3,343,194	A		9/1967	Ramelson		
3,378,871	A		4/1968	Suleski		
3,381,325	A		5/1968	Reineman		
3,417,418	A		12/1968	Riboud		
3,421,170	A		1/1969	Thomas, Jr.		
3,623,179	A		11/1971	Roth		
3,742,547	A		7/1973	Sohmer		

D235,278	S	*	6/1975	Janssen	D4/122
3,886,621	A		6/1975	Welsh		
3,918,920	A		11/1975	Barber		
3,958,292	A		5/1976	Powell		
4,128,909	A		12/1978	Kawabe et al.		
4,222,201	A		9/1980	Yanessa		
D262,075	S	*	12/1981	Cooke	D4/122

(Continued)

FOREIGN PATENT DOCUMENTS

JP	8-322778	12/1996
JP	9-75293	3/1997
WO	WO 83/01734	5/1983

OTHER PUBLICATIONS

Adhesion and Adhesives Technology an Introduction, p.
216–244, Alphonsus V. Pocius, Hanser Gardner Publica-
tions, Inc., 1997.

Primary Examiner—Alan P. Douglas
Assistant Examiner—Lavone D. Tabor

(74) *Attorney, Agent, or Firm*—Trisha D. Adamson

(57) **CLAIM**

The ornamental design for a roller, as shown and described.

DESCRIPTION

FIG. 1 is a perspective view of a roller engaged with a roller
caddy;

FIG. 2 is a perspective view of a roller;

FIG. 3 is a top view thereof;

FIG. 4 is a bottom view thereof;

FIG. 5 is a right side view thereof;

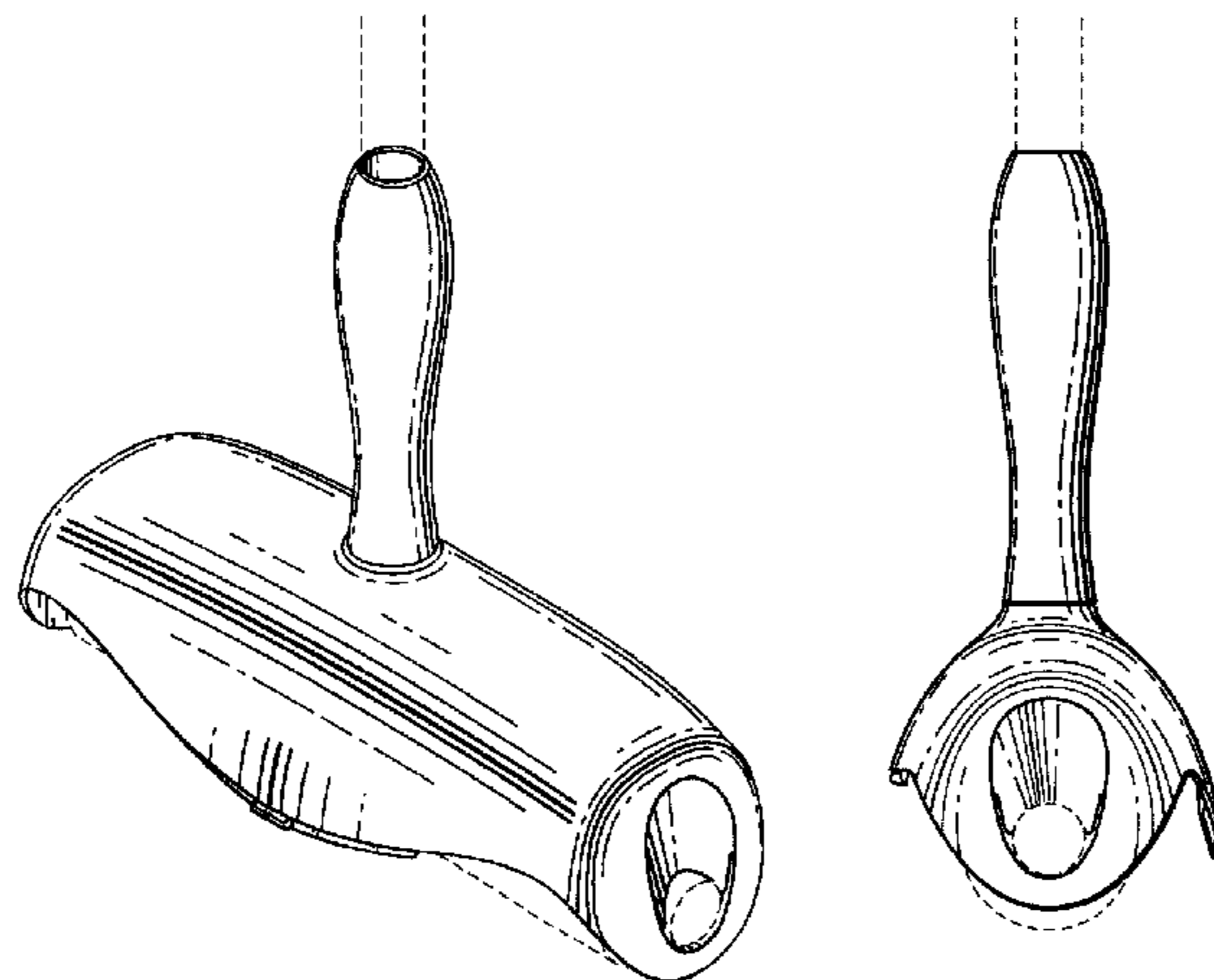
FIG. 6 is a left side view thereof;

FIG. 7 is a front view thereof; and,

FIG. 8 is a rear view thereof.

FIG. 1 is provided to illustrate the roller engaged with a
roller caddy. The broken lines in the drawings are shown for
illustrative purposes only and form no part of the claimed
design. In addition, the surface shading illustrated in the
drawings is provided merely to highlight the contour of
design; it is not intended to be illustrative of texture or gloss.

1 Claim, 3 Drawing Sheets



US D532,203 S

Page 2

U.S. PATENT DOCUMENTS					
			5,388,300 A	2/1995	Hickey
			5,641,075 A	6/1997	Mechlin
4,361,923 A	12/1982	McKay	5,709,301 A	1/1998	Couch et al.
4,399,579 A	8/1983	McKay	5,763,038 A	6/1998	Wood
4,422,201 A	12/1983	McKay	D396,906 S	8/1998	Medici
4,427,726 A	1/1984	Wolfrum	5,878,457 A	3/1999	Cox et al.
D273,058 S	3/1984	McKay	5,924,157 A	7/1999	Barela
D273,059 S	3/1984	McKay	5,940,921 A	8/1999	Wood et al.
D276,763 S	12/1984	McKay	6,014,788 A	1/2000	Jaffri
4,546,011 A	10/1985	Wolfrum	6,055,695 A	5/2000	McKay, Jr.
D281,654 S	12/1985	Bladh et al.	6,127,014 A	10/2000	McKay, Jr.
4,557,011 A	12/1985	Sartori	6,427,278 B1	8/2002	McKay, Jr.
D288,973 S	3/1987	Hamazaki	D463,134 S	9/2002	Vosbikian
4,727,616 A	3/1988	Kucera et al.	6,449,794 B1	9/2002	Jaffri
4,905,337 A	3/1990	McKay	D468,540 S	1/2003	Jessen
D307,949 S	5/1990	Wong	D475,537 S	6/2003	Jessen et al.
4,979,257 A	12/1990	Heneveld	D475,538 S	6/2003	Jessen et al.
4,979,614 A	12/1990	Ruhaut	D483,570 S	12/2003	Heidel et al.
5,027,465 A	7/1991	McKay	6,688,464 B1	2/2004	Jessen et al.
5,074,098 A	12/1991	Filipchuk	6,763,977 B1	7/2004	McKay
D336,784 S	6/1993	Yen	2003/0039824 A1	2/2003	Aalbers
D341,256 S	11/1993	Brazis et al.	2003/0154569 A1	8/2003	McKay
D342,610 S	12/1993	Stetson et al.			
5,333,341 A	8/1994	Heneveld			

* cited by examiner

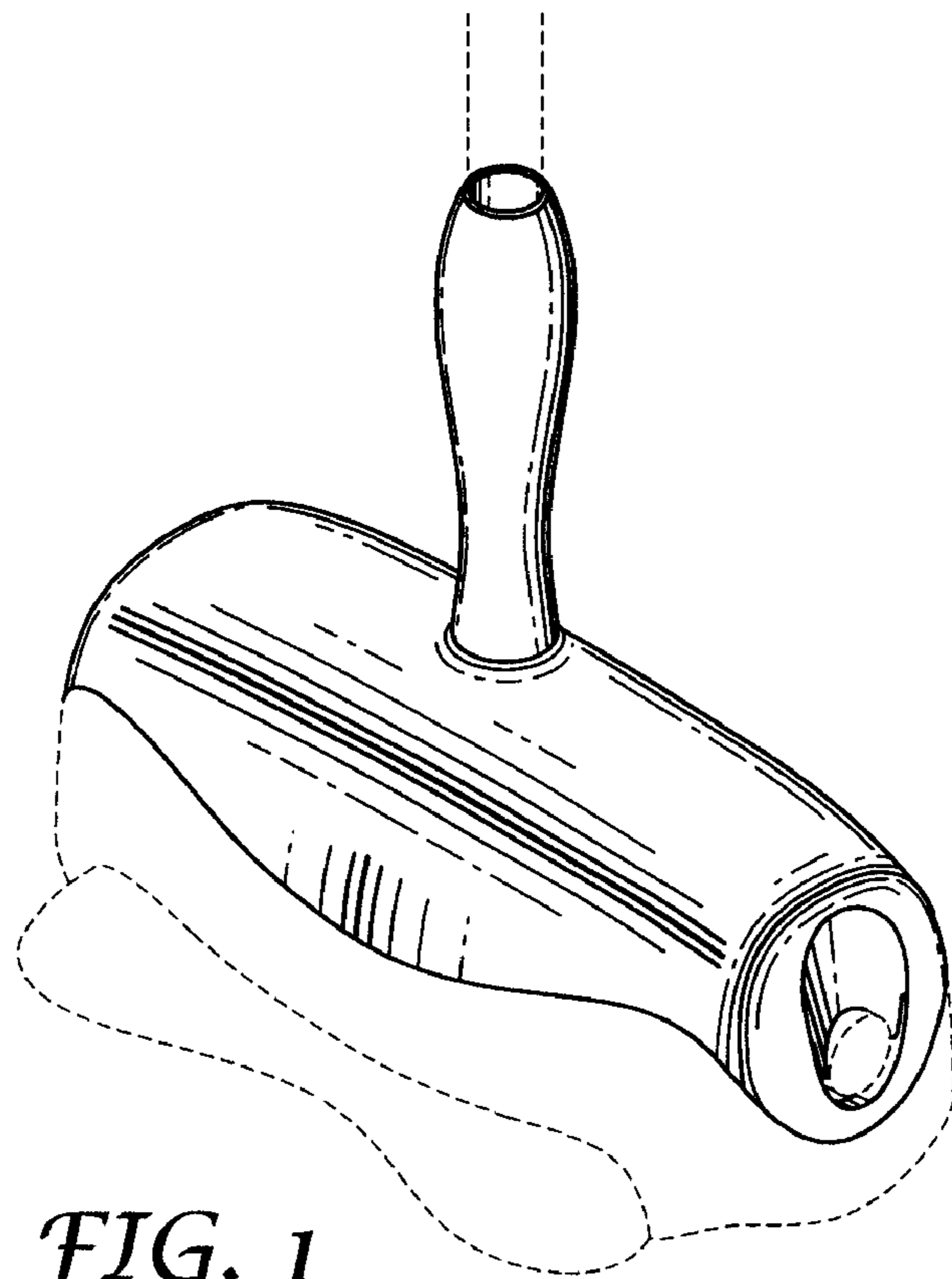


FIG. 1

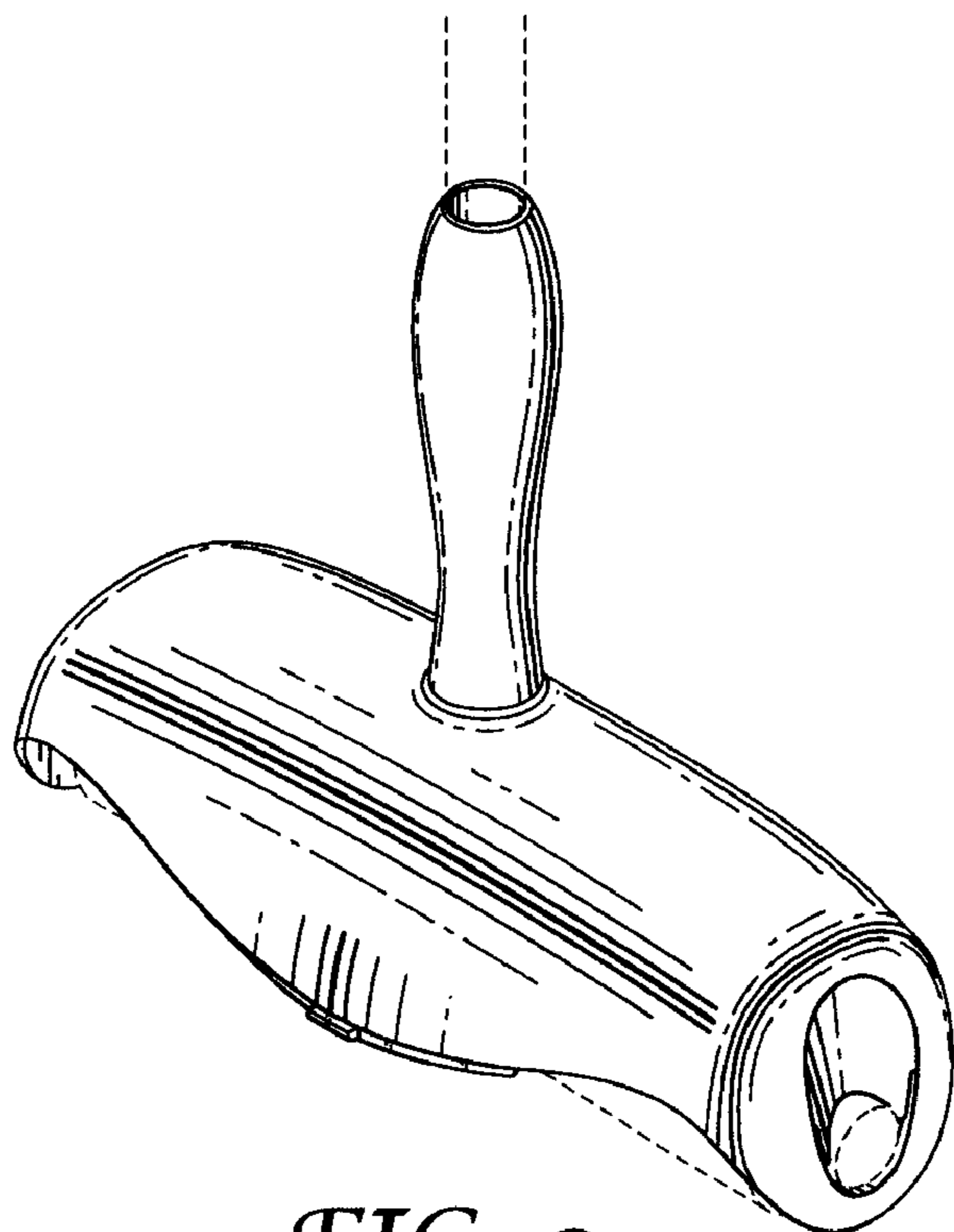


FIG. 2

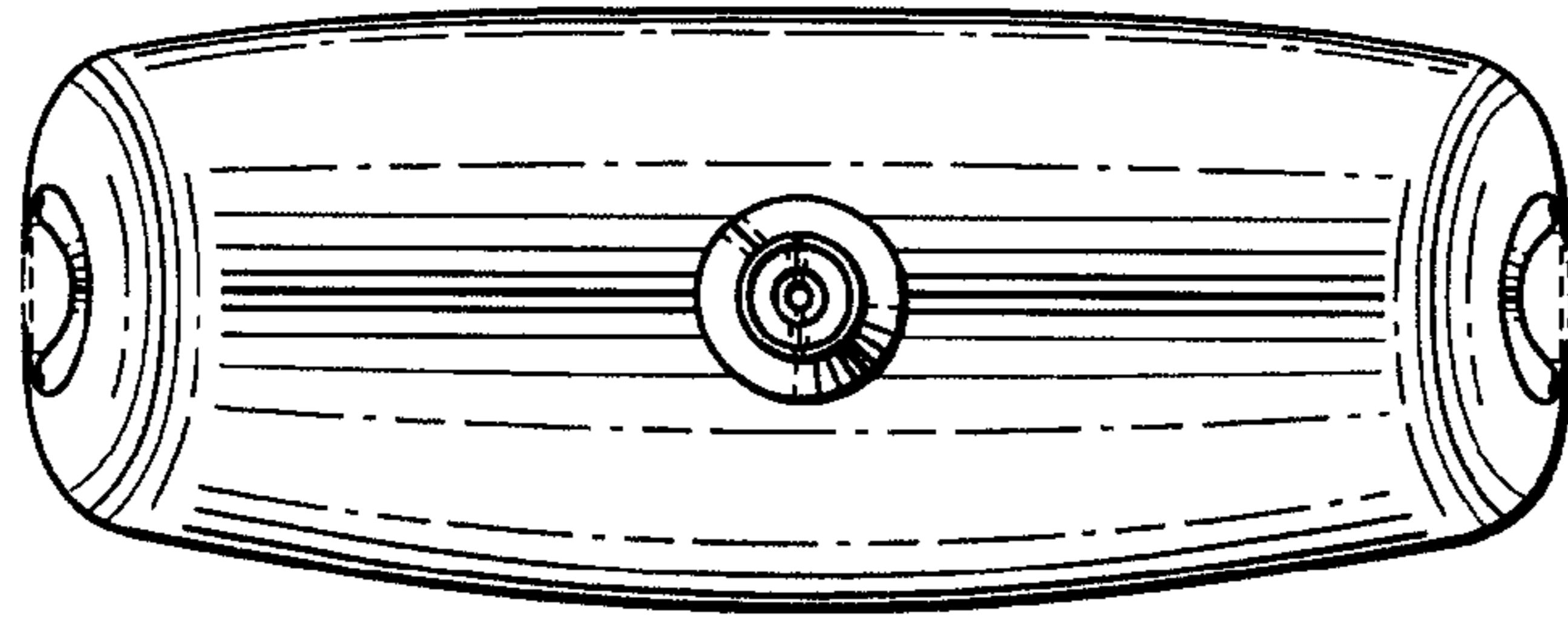


FIG. 3

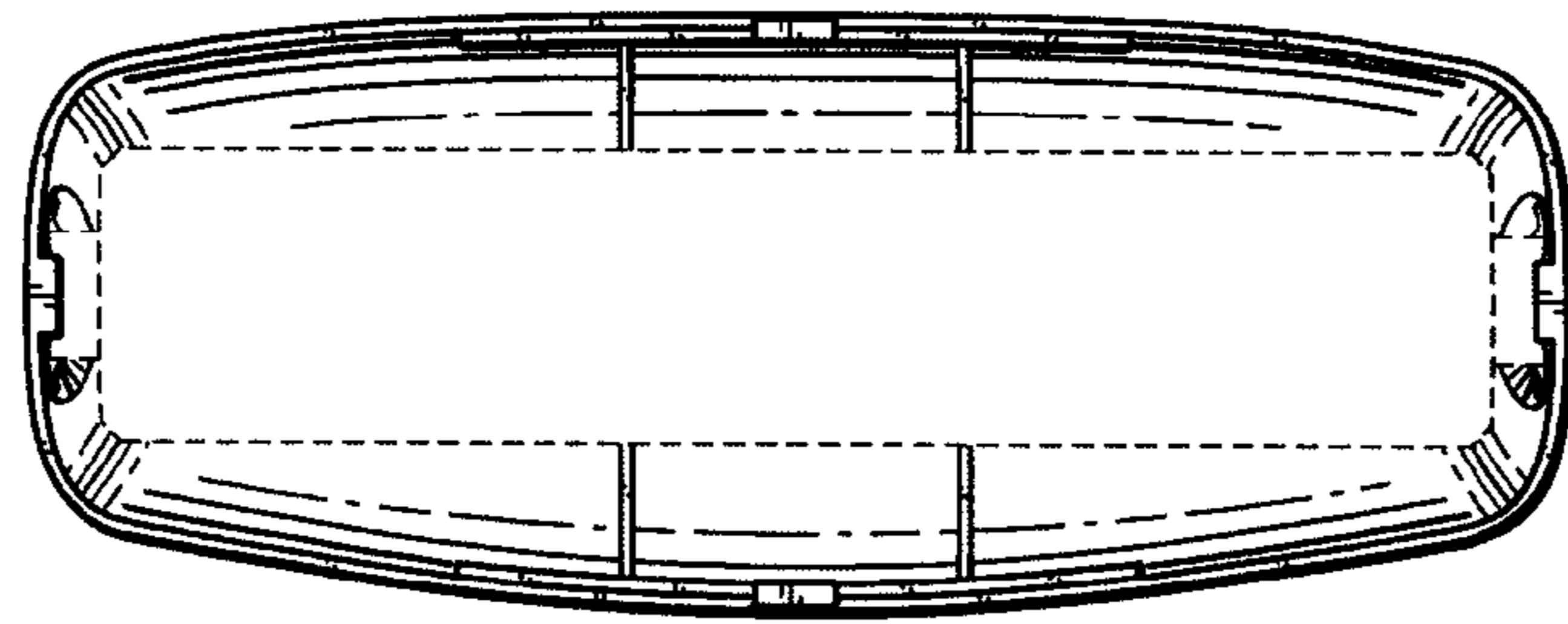


FIG. 4

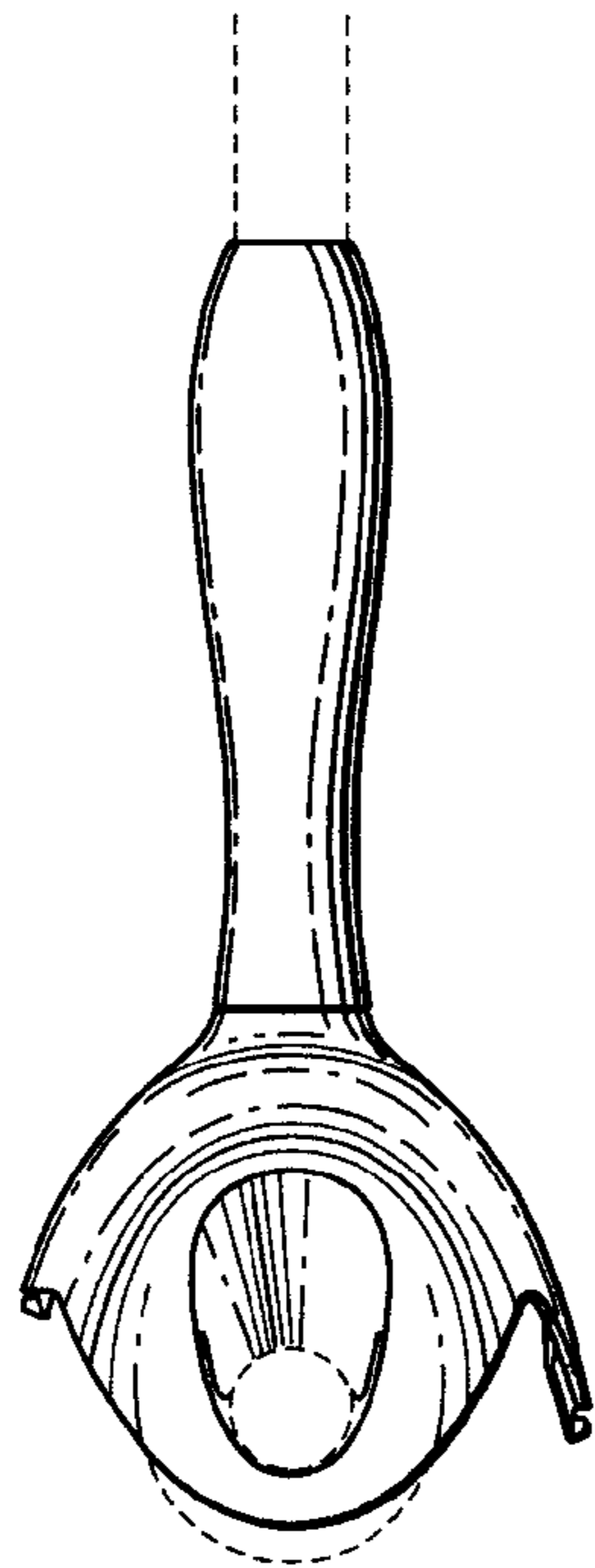


FIG. 5

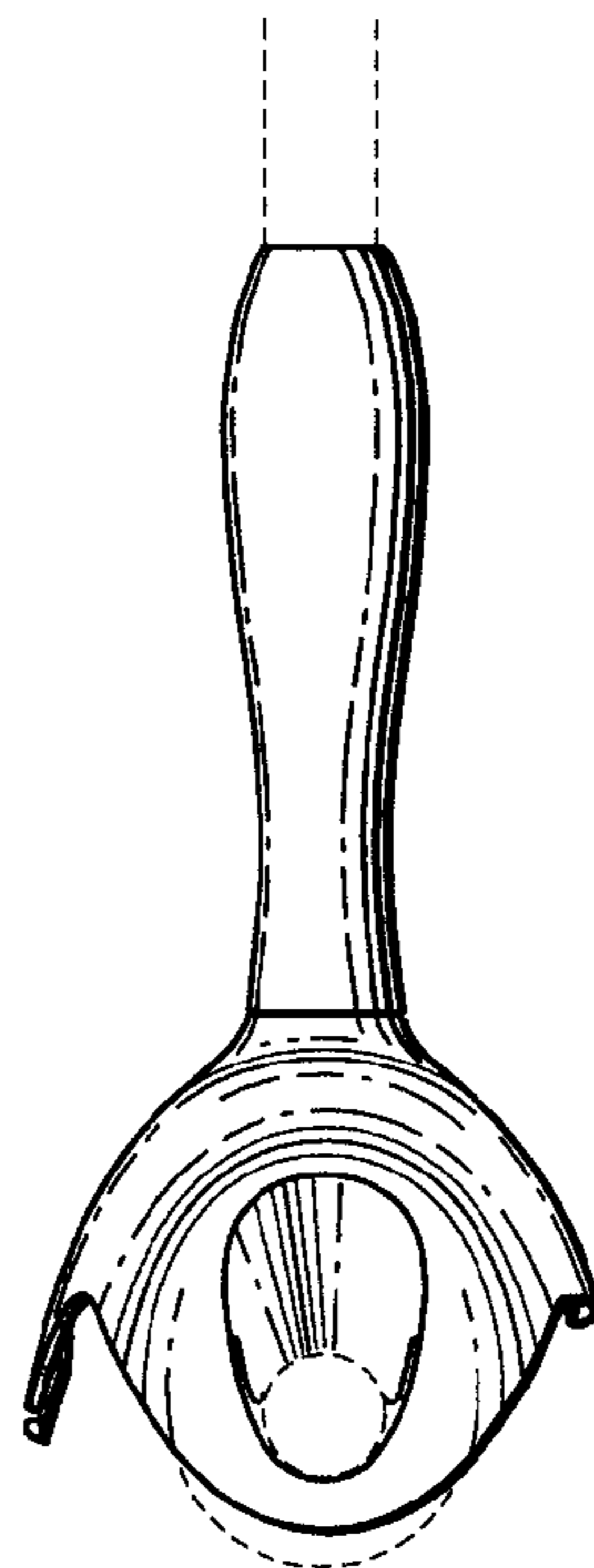


FIG. 6

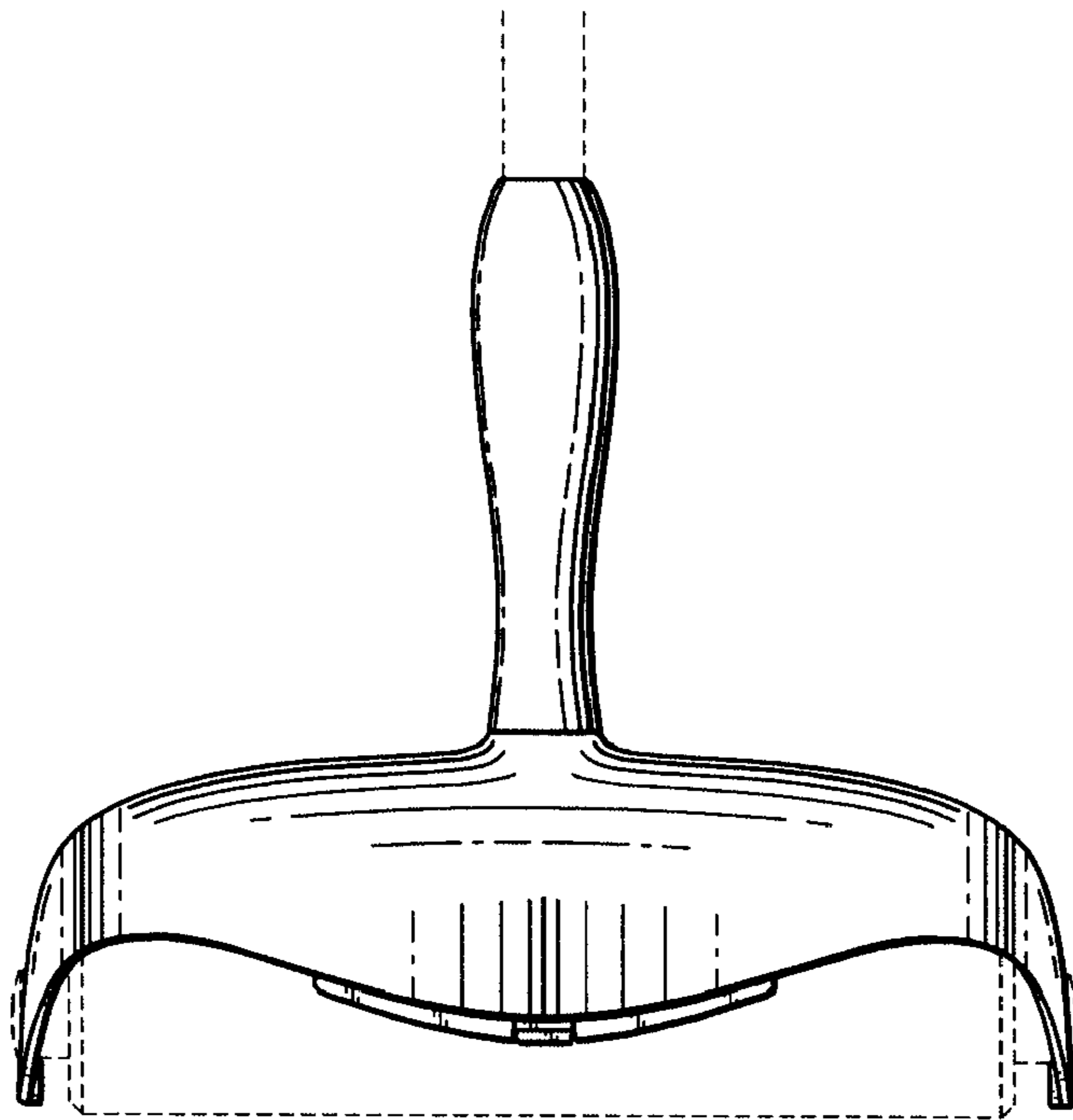


FIG. 7

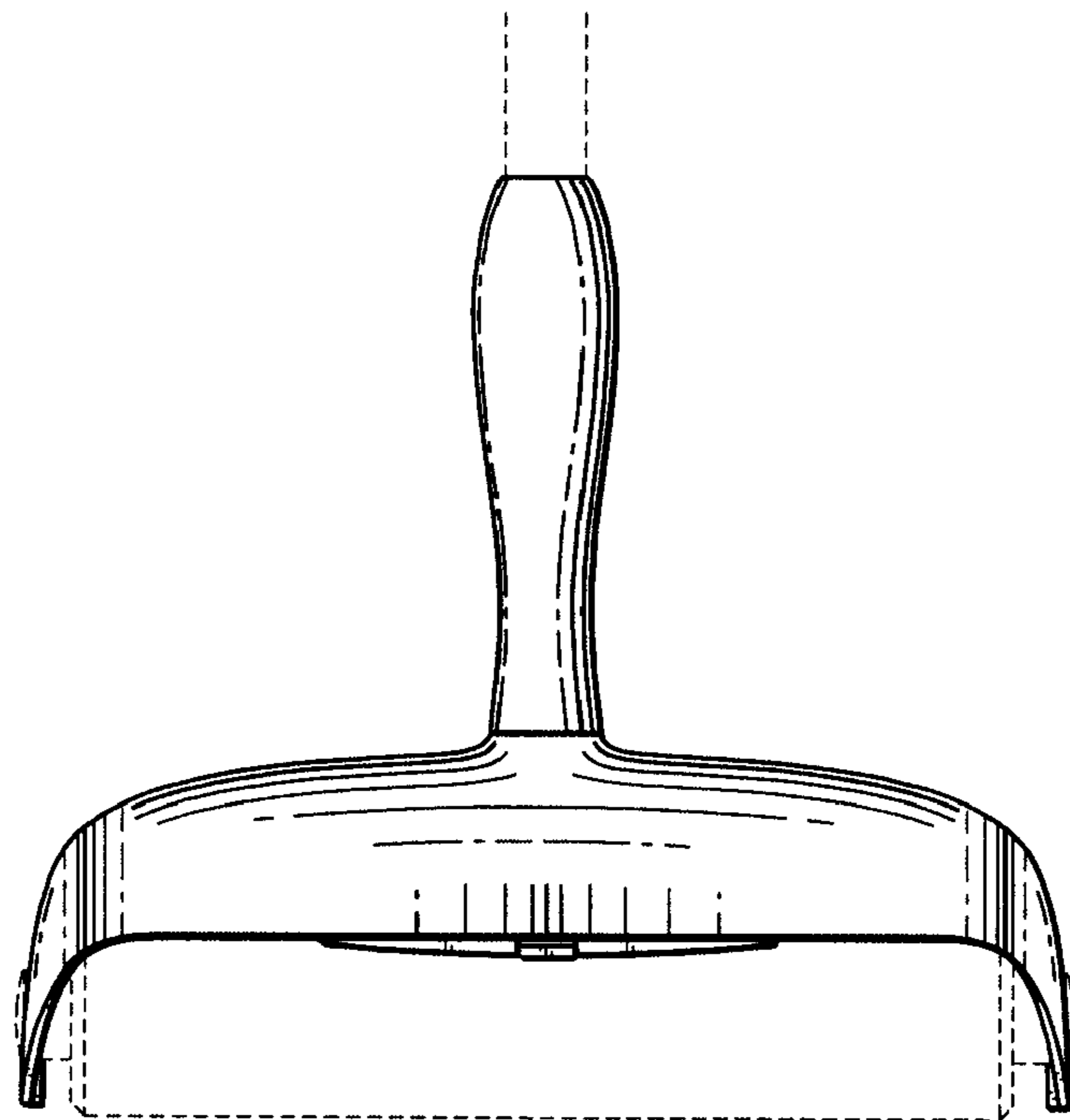


FIG. 8