



US00D532200S

(12) **United States Design Patent**
Gonzalez

(10) **Patent No.:** **US D532,200 S**

(45) **Date of Patent:** **** Nov. 21, 2006**

(54) **MULTIPLE GROMMET AND CLOSURE
FLAP FOR HANDBAG**

D521,736 S * 5/2006 Gonzalez D3/321

OTHER PUBLICATIONS

(75) Inventor: **Alvaro Gonzalez**, Florence (IT)

U.S. Appl. No. 29/238,635, filed Sep. 19, 2005.

(73) Assignee: **J. Choo (Jersey) Limited**, Jersey (GB)

* cited by examiner

(**) Term: **14 Years**

Primary Examiner—Louis S. Zarfaz

Assistant Examiner—Monica A. Weingart

(21) Appl. No.: **29/238,642**

(74) *Attorney, Agent, or Firm*—Fross, Zelnick Lehrman & Zissu, P.C.; Lawrence E. Apolzon, Esq.

(22) Filed: **Sep. 19, 2005**

(30) **Foreign Application Priority Data**

Mar. 21, 2005	(EM)	000318332-0013
Mar. 21, 2005	(EM)	000318332-0016
Mar. 21, 2005	(EM)	000318332-0015

(57) **CLAIM**

The ornamental design for a multiple grommet and closure flap for hangbag, as shown and described.

(51) **LOC (8) Cl.** **03-01**

(52) **U.S. Cl.** **D3/326**

(58) **Field of Classification Search** D3/231,
D3/232, 233, 234, 237, 238, 240, 241, 242,
D3/243, 245, 246, 303, 318, 321, 322, 323,
D3/324, 325, 326, 902; 150/100, 106, 107,
150/110, 111, 112, 118, 900; 190/100, 109,
190/112, 115, 119, 121, 902, 903; 383/4,
383/6, 7, 8, 10, 12, 15, 22, 23, 25, 26, 27,
383/29, 31, 37, 38, 41, 42, 78, 84

See application file for complete search history.

DESCRIPTION

FIG. 1 is a front perspective view of a multiple grommet and closure flap for handbag showing my new design;
FIG. 2 is a front elevational view thereof;
FIG. 3 is a rear elevational view thereof;
FIG. 4 is a right side elevational view thereof;
FIG. 5 is a left side elevational view thereof;
FIG. 6 is a top plan view thereof;
FIG. 7 is a bottom plan view thereof; and,
FIG. 8 is a front perspective view of an alternative embodiment of the design shown in FIG. 1, the only difference being the showing of the end of the front strap in phantom lines, it being understood that all other surfaces are the same as those of the first embodiment except for the end of the front strap.

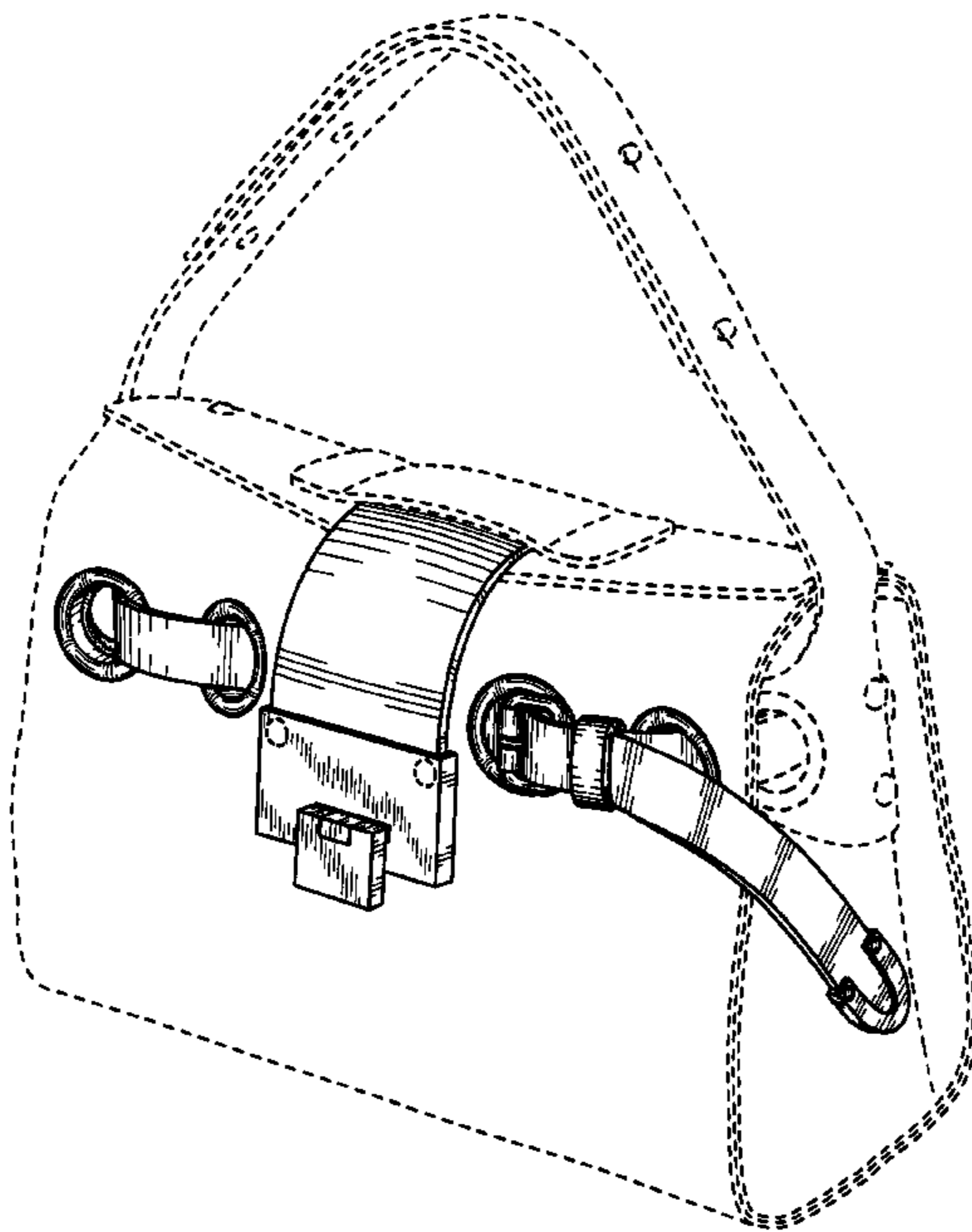
The broken line showing of the handles, circular studs on the lock mechanism, circular studs on the top flap, portion of the front strap, and overall bag structure is for illustrative purposes only and forms no part of the claimed design.

(56) **References Cited**

U.S. PATENT DOCUMENTS

308,959	A	*	12/1884	Ford	150/106
1,469,476	A	*	10/1923	Hauser	150/110
D467,072	S	*	12/2002	Grassi Damiani	D3/243
D471,707	S		3/2003	Galliano		
D472,046	S		3/2003	Galliano		
D507,882	S	*	8/2005	Gonzalez	D3/326

1 Claim, 8 Drawing Sheets



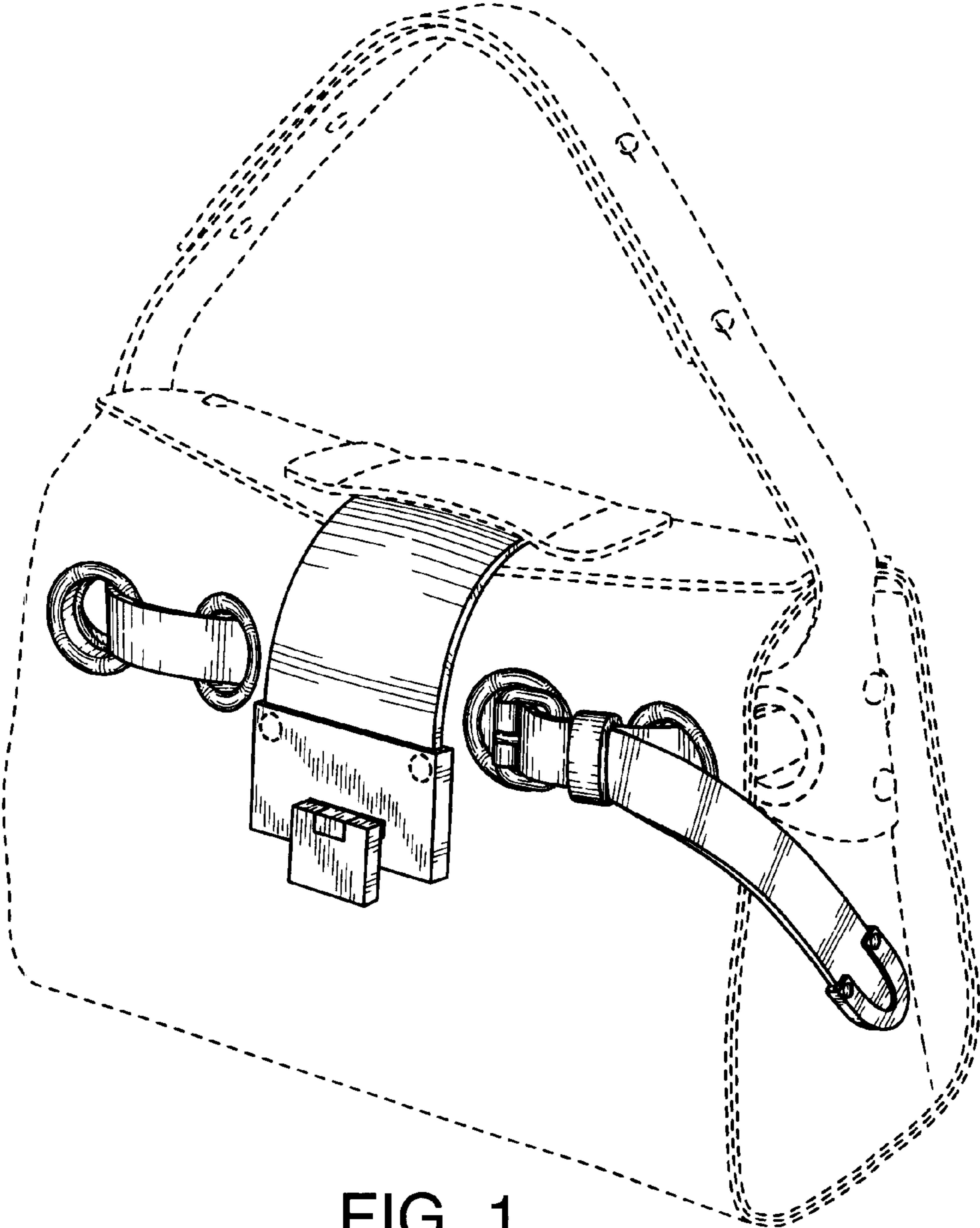


FIG. 1

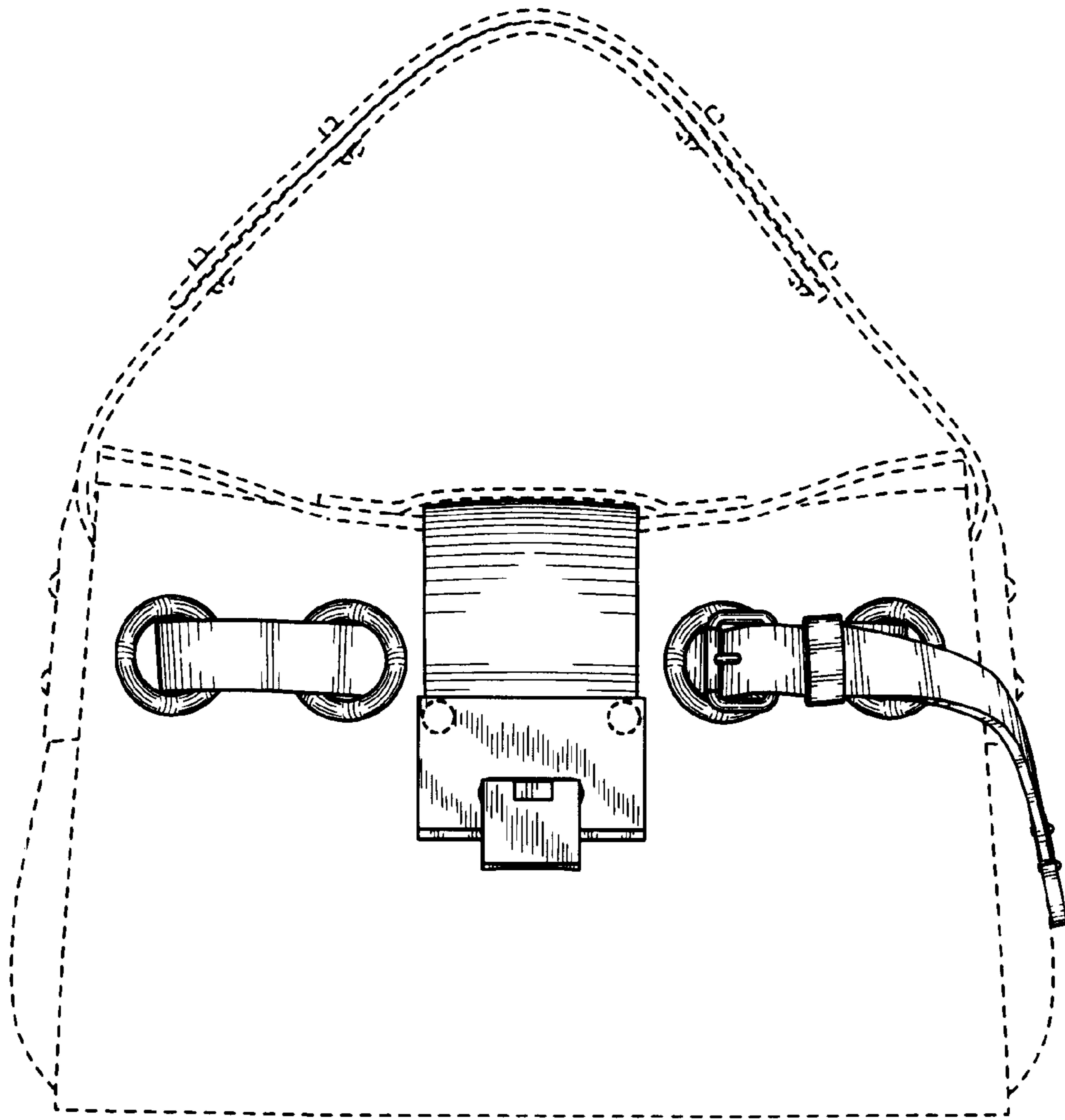


FIG. 2



FIG. 3

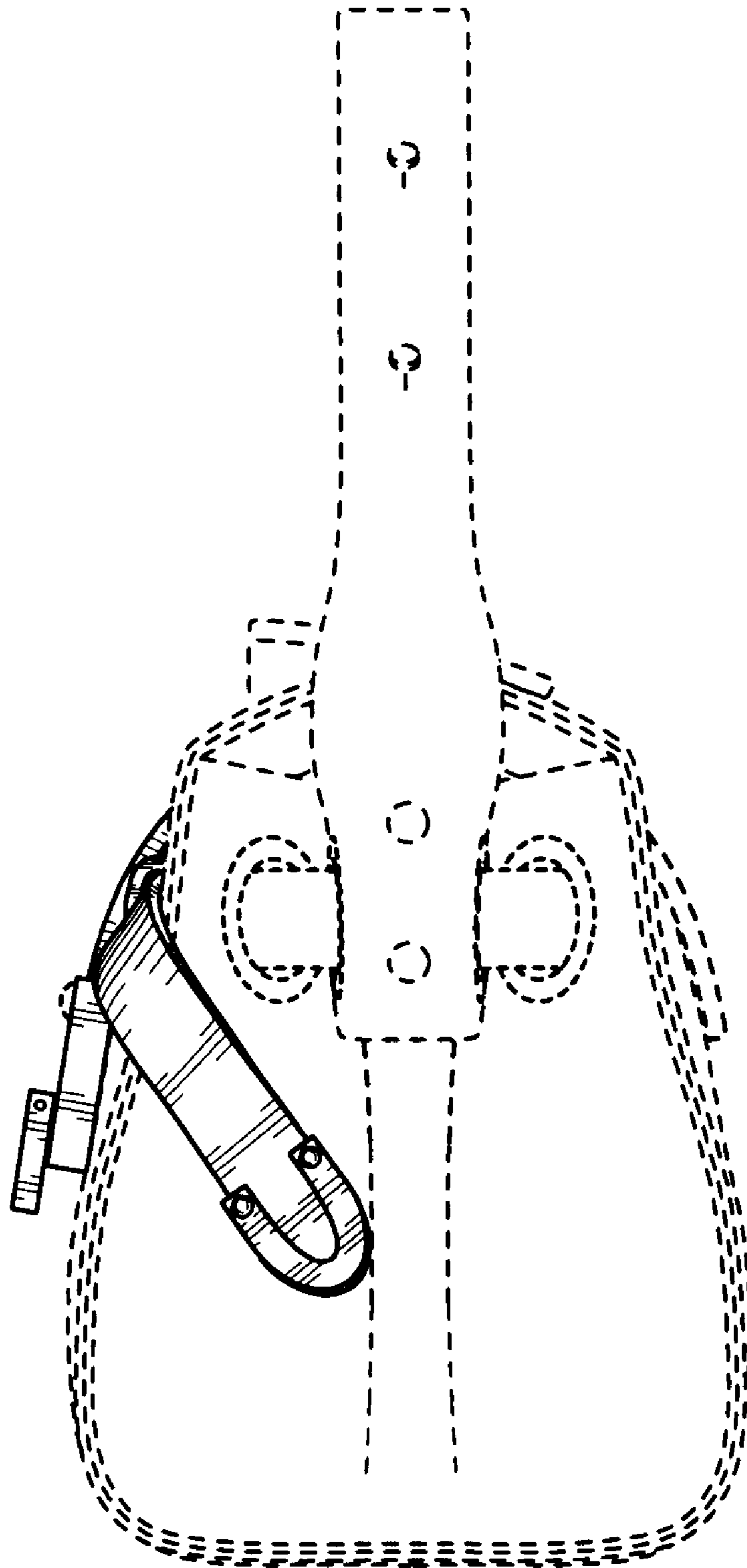


FIG. 4

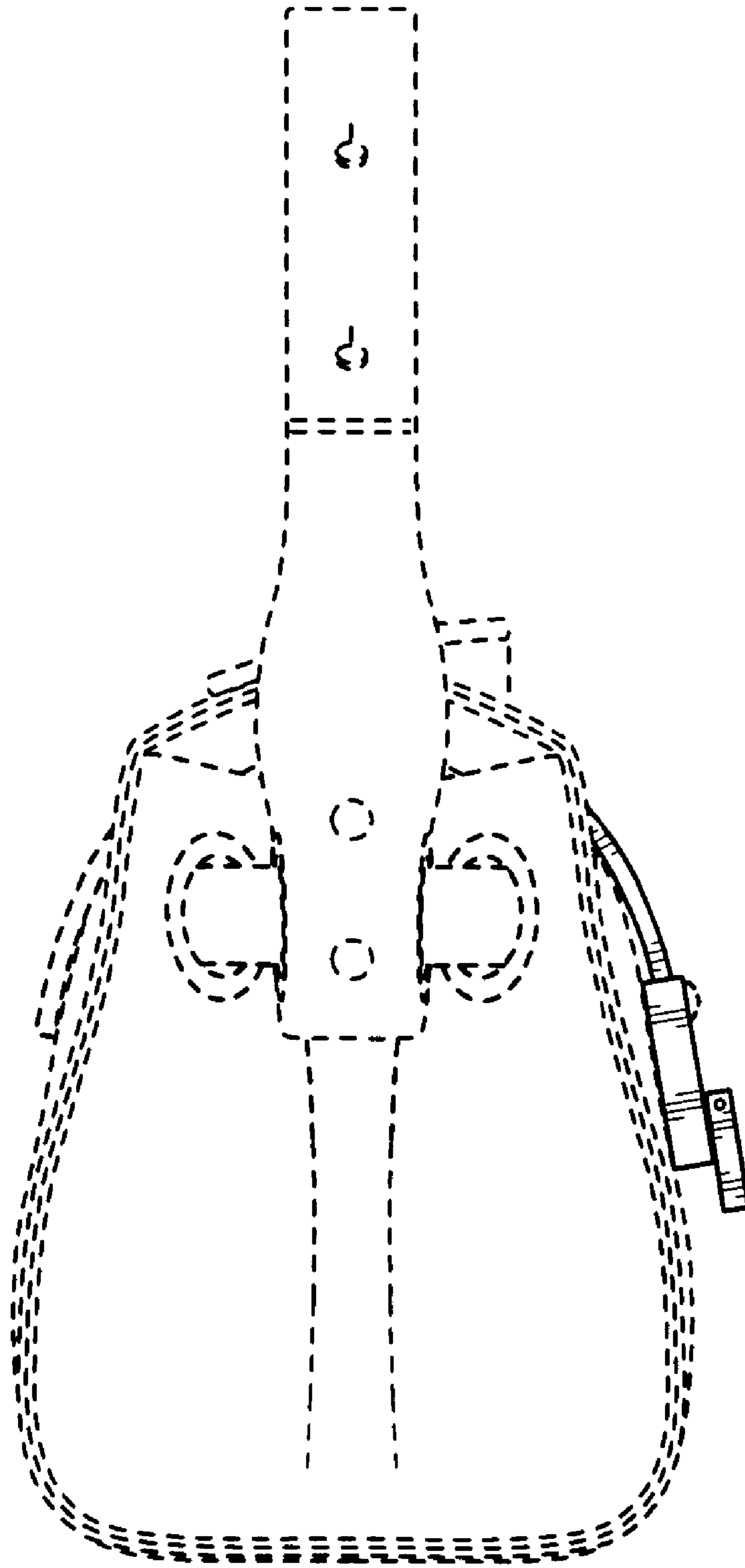


FIG. 5

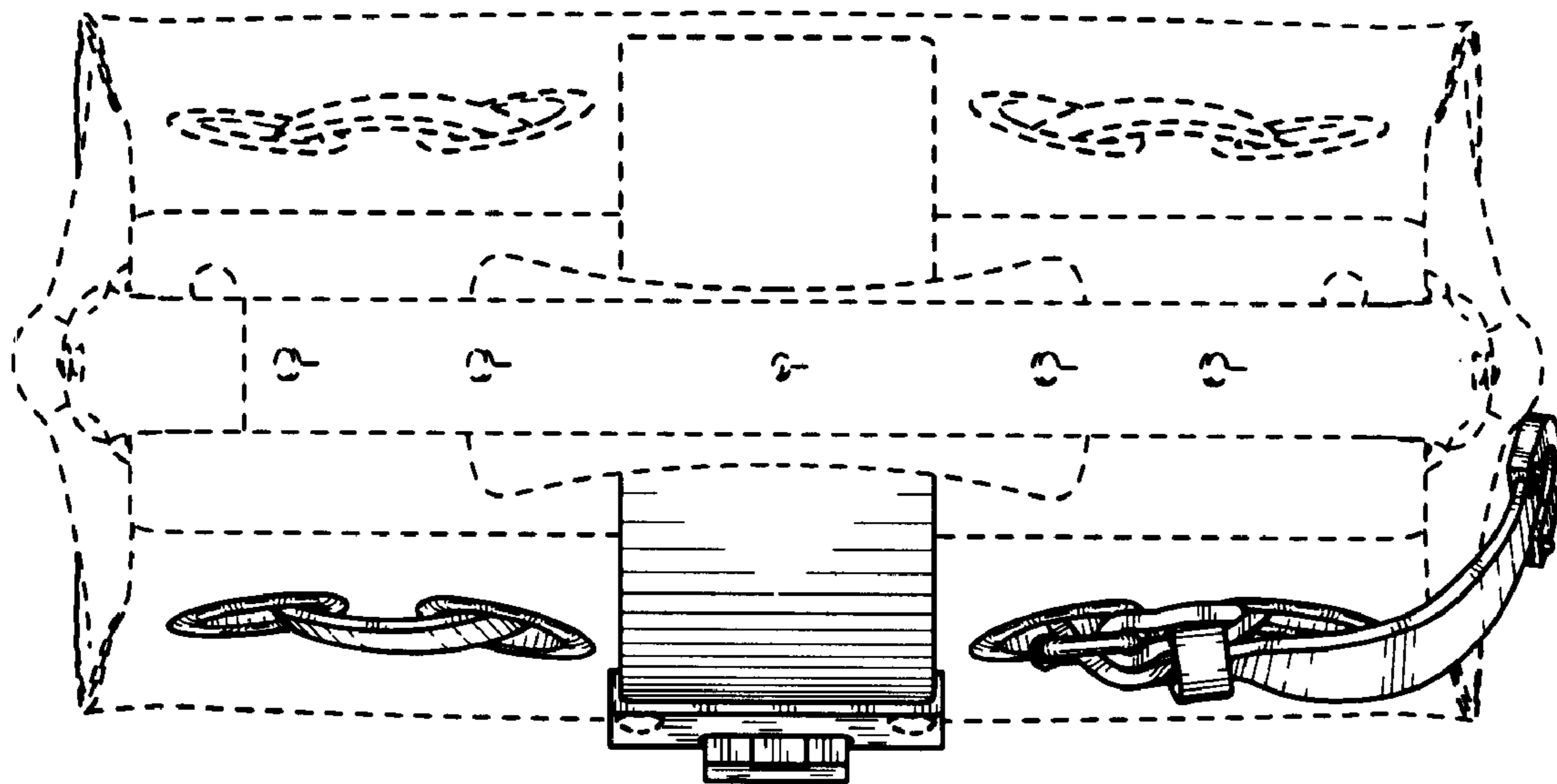


FIG. 6

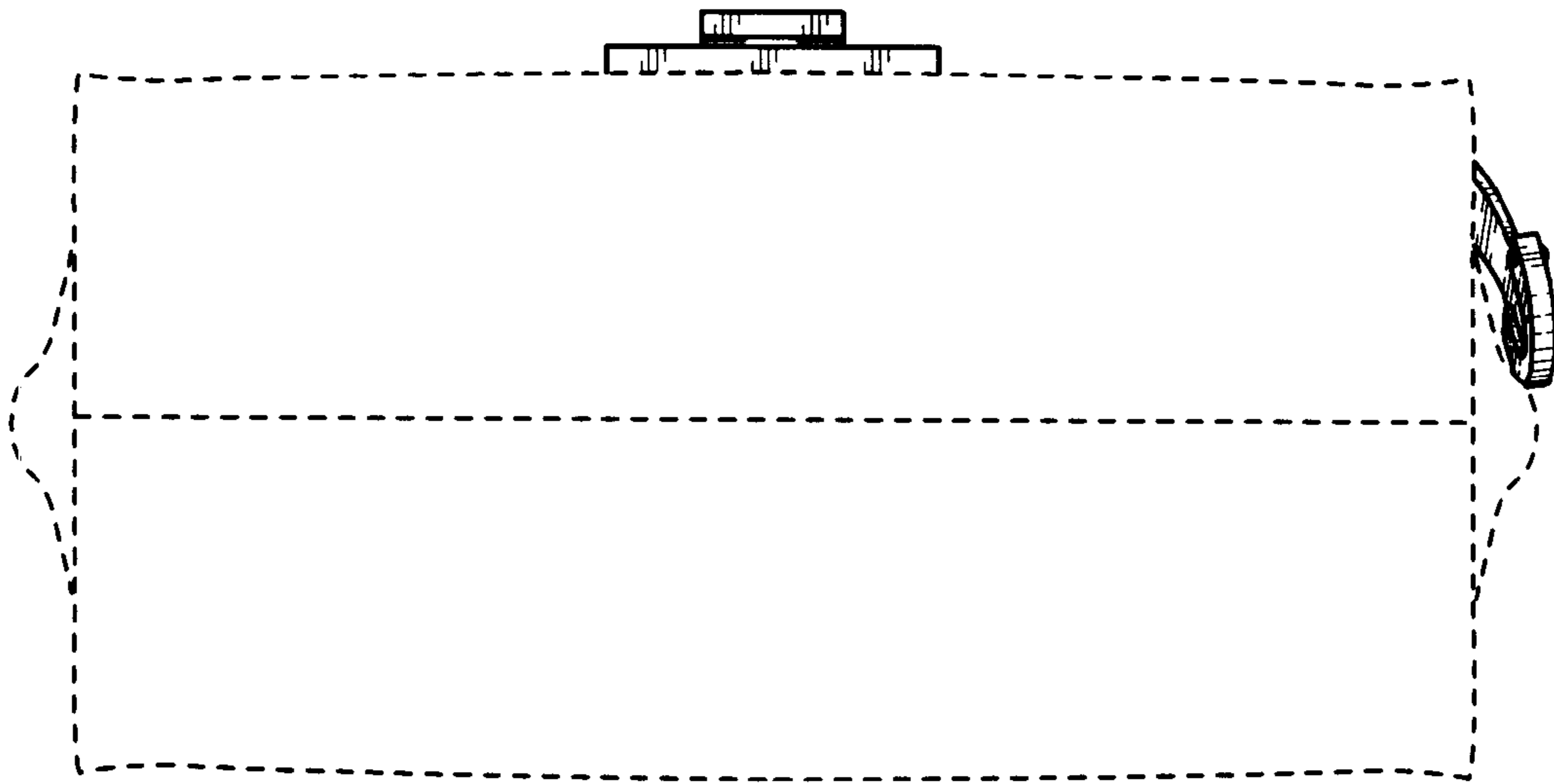


FIG. 7

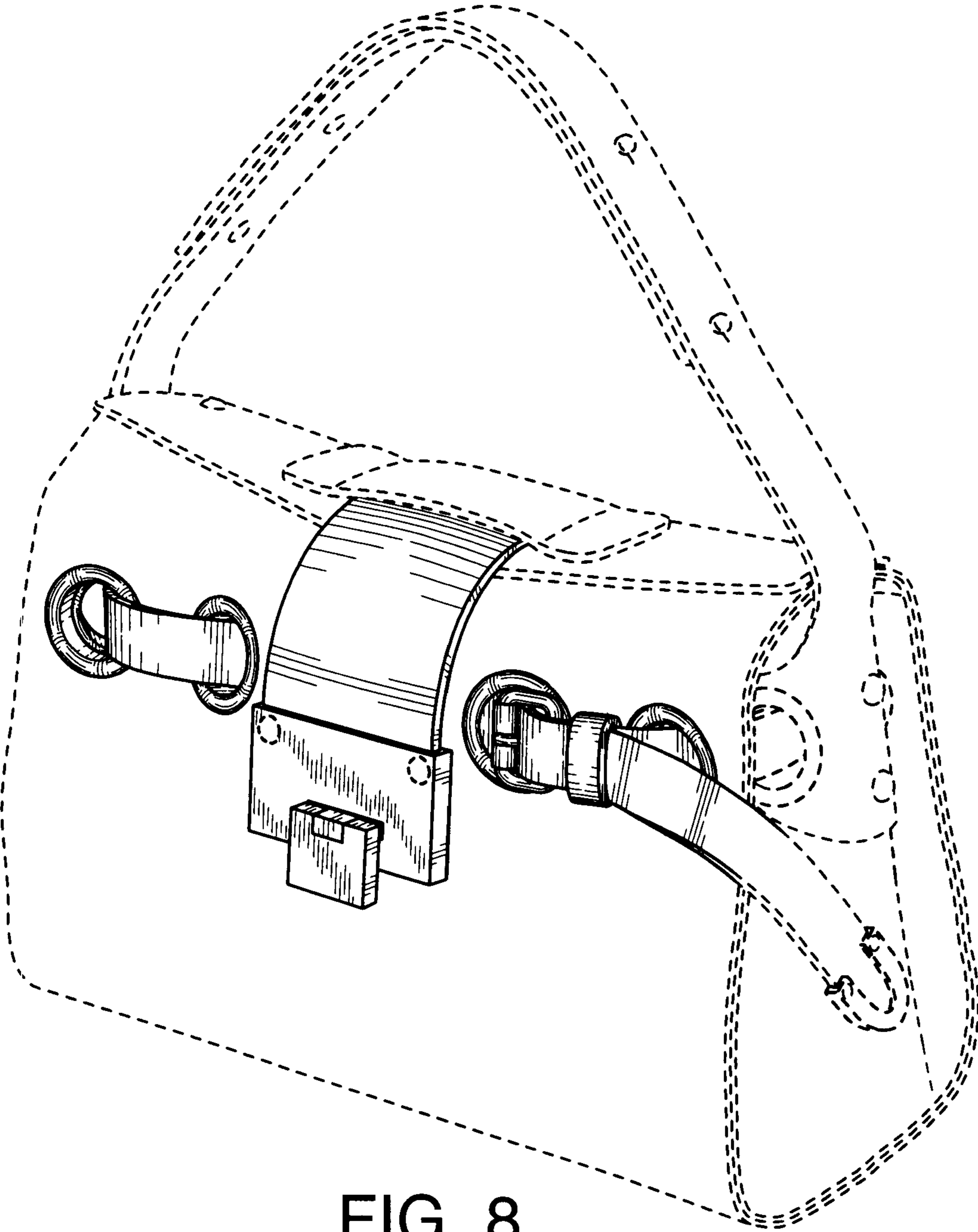


FIG. 8