



US00D532177S

(12) **United States Design Patent**
Hernandez

(10) **Patent No.:** **US D532,177 S**

(45) **Date of Patent:** **** Nov. 14, 2006**

(54) **MECHANIC'S CREEPER**

(75) Inventor: **Hector Ray Hernandez**, Fullerton, CA
(US)

(73) Assignee: **Alltrade Tools LLC**, Long Beach, CA
(US)

(**) Term: **14 Years**

(21) Appl. No.: **29/241,968**

(22) Filed: **Nov. 2, 2005**

(51) **LOC (8) Cl.** **12-02**

(52) **U.S. Cl.** **D34/23**

(58) **Field of Classification Search** D34/12-27;
280/79.2, 79.5, 79.4, 638, 79.11, 79.1, 32.6;
D24/185; 248/188.7; 5/201

See application file for complete search history.

(56) **References Cited**

U.S. PATENT DOCUMENTS

D351,707 S * 10/1994 Pill D34/23
D384,466 S * 9/1997 Taylor D34/23

D406,683 S * 3/1999 Taylor et al. D34/23
6,345,828 B1 * 2/2002 Pool et al. 280/32.6
D460,237 S * 7/2002 Hart D34/23
D469,592 S * 1/2003 Brimhall et al. D34/23
D489,506 S * 5/2004 Hernandez et al. D34/23
2005/0023780 A1 * 2/2005 Liu 280/32.6

* cited by examiner

Primary Examiner—Freda Nunn

Assistant Examiner—Kevin K. Rudzinski

(74) *Attorney, Agent, or Firm*—Fulwider Patton LLP

(57) **CLAIM**

The ornamental design for a mechanic's creeper, as shown and described.

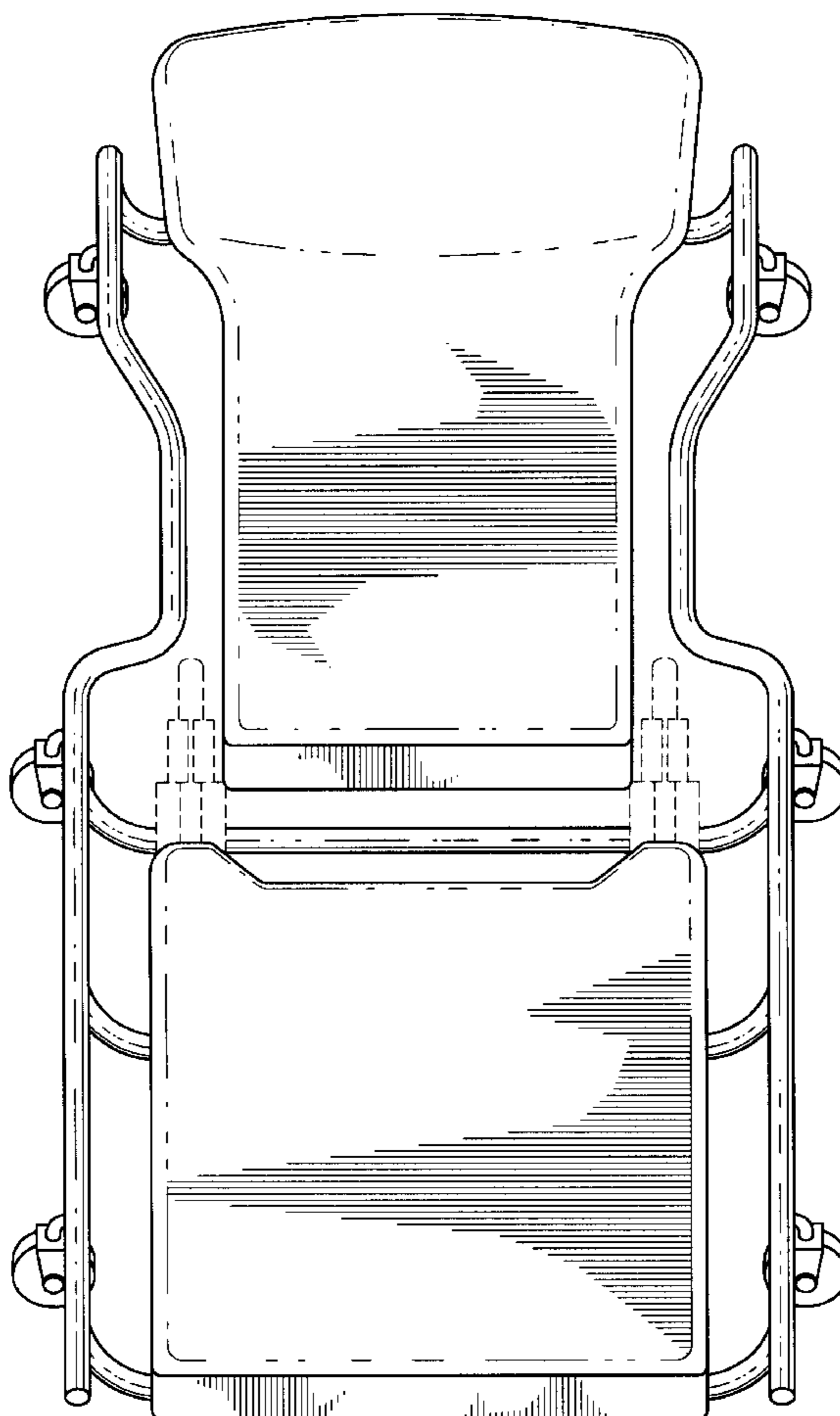
DESCRIPTION

FIG. 1 is a perspective view of the top and front of the mechanic's creeper;

FIG. 2 is an elevational view of the front of the mechanic's creeper; and,

FIG. 3 is an elevational view of the side of the mechanic's creeper.

1 Claim, 2 Drawing Sheets



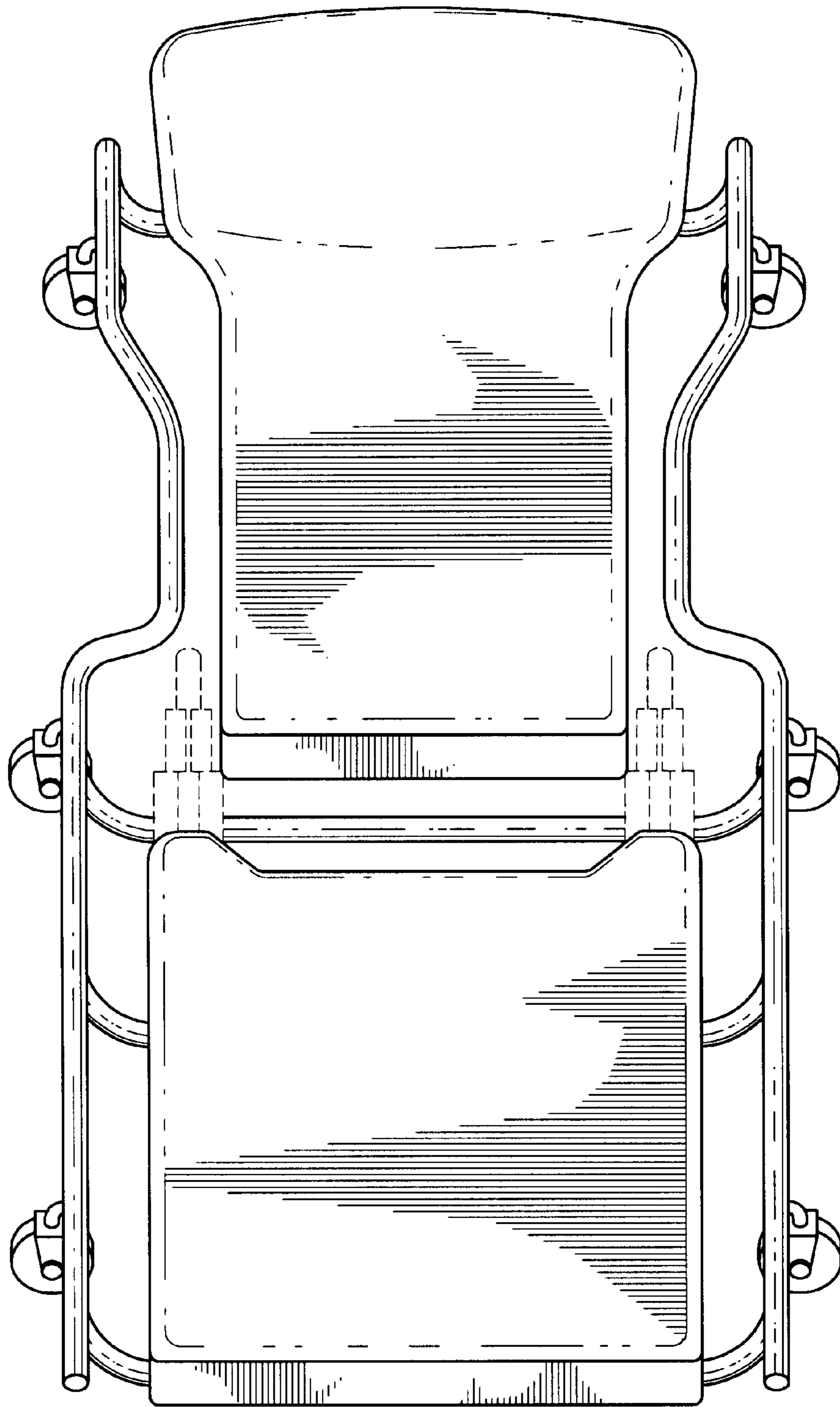


FIG. 1

FIG. 2

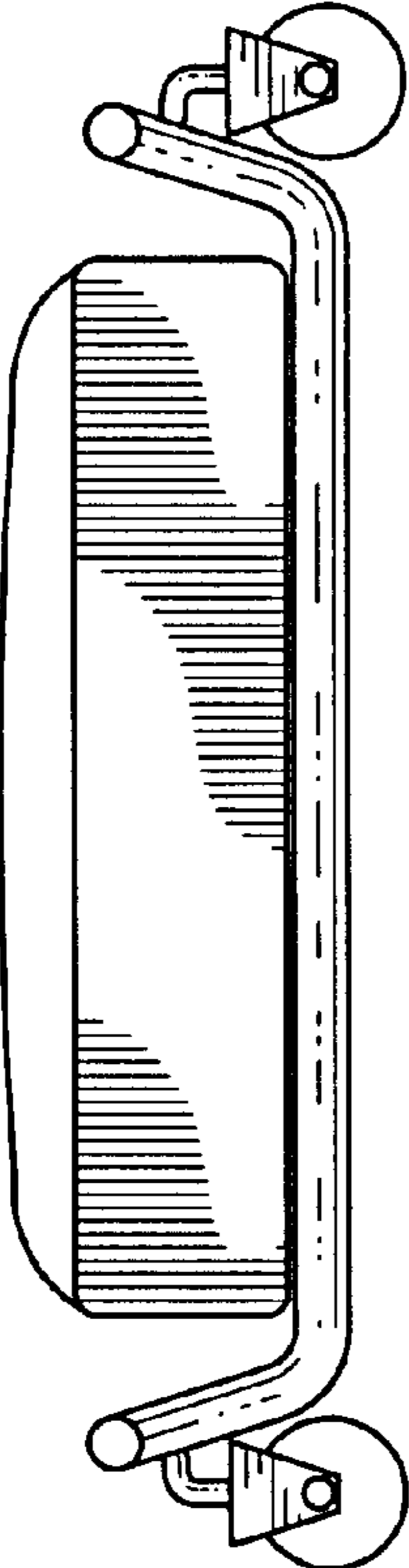


FIG. 3

