

US00D532176S

(12) **United States Design Patent**
Ditmars, Jr.

(10) **Patent No.:** **US D532,176 S**

(45) **Date of Patent:** **** Nov. 14, 2006**

(54) **TRASH CAN CART**

(76) **Inventor:** **Ronald Glenn Ditmars, Jr., 7075**
English Creek Ave., Egg Harbor
Township, NJ (US) 08234

(**) **Term:** **14 Years**

(21) **Appl. No.:** **29/252,029**

(22) **Filed:** **Jan. 18, 2006**

(51) **LOC (8) Cl.** **12-02**

(52) **U.S. Cl.** **D34/21**

(58) **Field of Classification Search** D34/12-27;
280/47.18, 655, 652, 47.29, 646, 5.2, 5.32,
280/654, 47.24, 47.16, 47.19, 79.5, 47.34;
D24/185

See application file for complete search history.

(56) **References Cited**

U.S. PATENT DOCUMENTS

3,785,669	A	*	1/1974	Doheny	280/47.18
D246,848	S	*	1/1978	Allen	D34/12
4,281,849	A	*	8/1981	Chandick et al.	280/655
D267,359	S	*	12/1982	Mustard	D34/26
4,784,405	A	*	11/1988	Stein	280/655
D299,578	S	*	1/1989	Wilson	D34/25
D303,029	S	*	8/1989	Friskey	D34/23
4,858,940	A	*	8/1989	Cheng	280/5.2
D303,443	S	*	9/1989	Shoctor	D34/18
5,040,808	A	*	8/1991	McIntyre	280/47.19

6,102,433	A	*	8/2000	Stevens	280/646
6,217,045	B1	*	4/2001	Leyton	280/79.7
D456,582	S	*	4/2002	Riach	D34/24
D477,900	S	*	7/2003	Ditmars, Jr.	D34/24
6,588,775	B1	*	7/2003	Malone, Jr.	280/47.18
D481,511	S	*	10/2003	Lee	D34/24
D481,512	S	*	10/2003	Lee	D34/24
6,796,564	B1	*	9/2004	Kelly	280/47.24
D514,767	S	*	2/2006	Schusler et al.	D34/12

* cited by examiner

Primary Examiner—Alan P. Douglas
Assistant Examiner—Kevin K. Rudzinski

(57) **CLAIM**

The ornamental design for a trash can cart, as shown and described above.

DESCRIPTION

FIG. 1 is a perspective view of a trash can cart showing my new design;

FIG. 2 is right side elevational view thereof;

FIG. 3 is a left side elevational view thereof;

FIG. 4 is a front elevational view thereof;

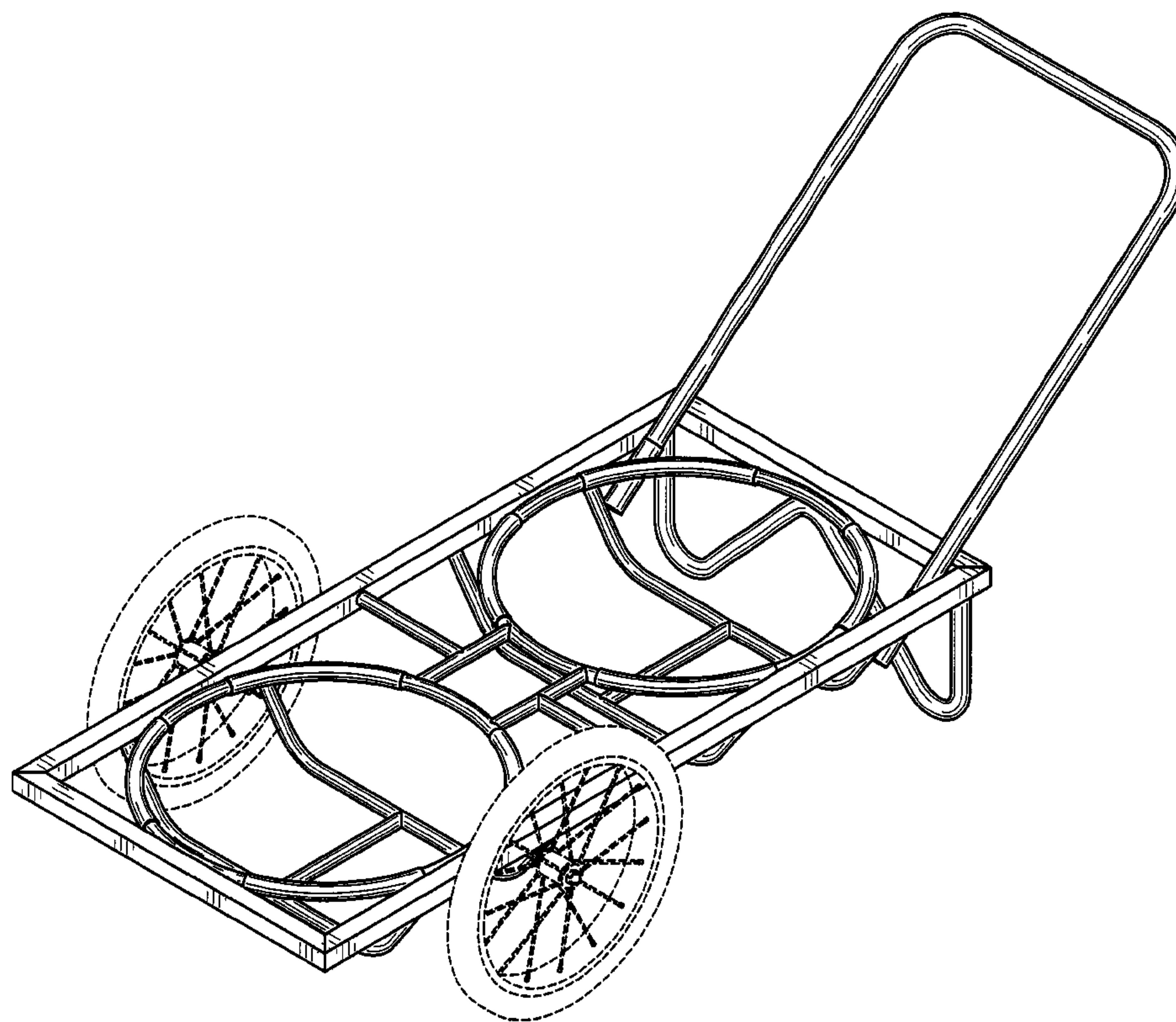
FIG. 5 is a rear elevational view thereof;

FIG. 6 is a top plan view thereof; and,

FIG. 7 is a bottom plan view thereof.

The broken line showing of the wheels is for illustrative purposes only and forms no part of the claimed design.

1 Claim, 6 Drawing Sheets



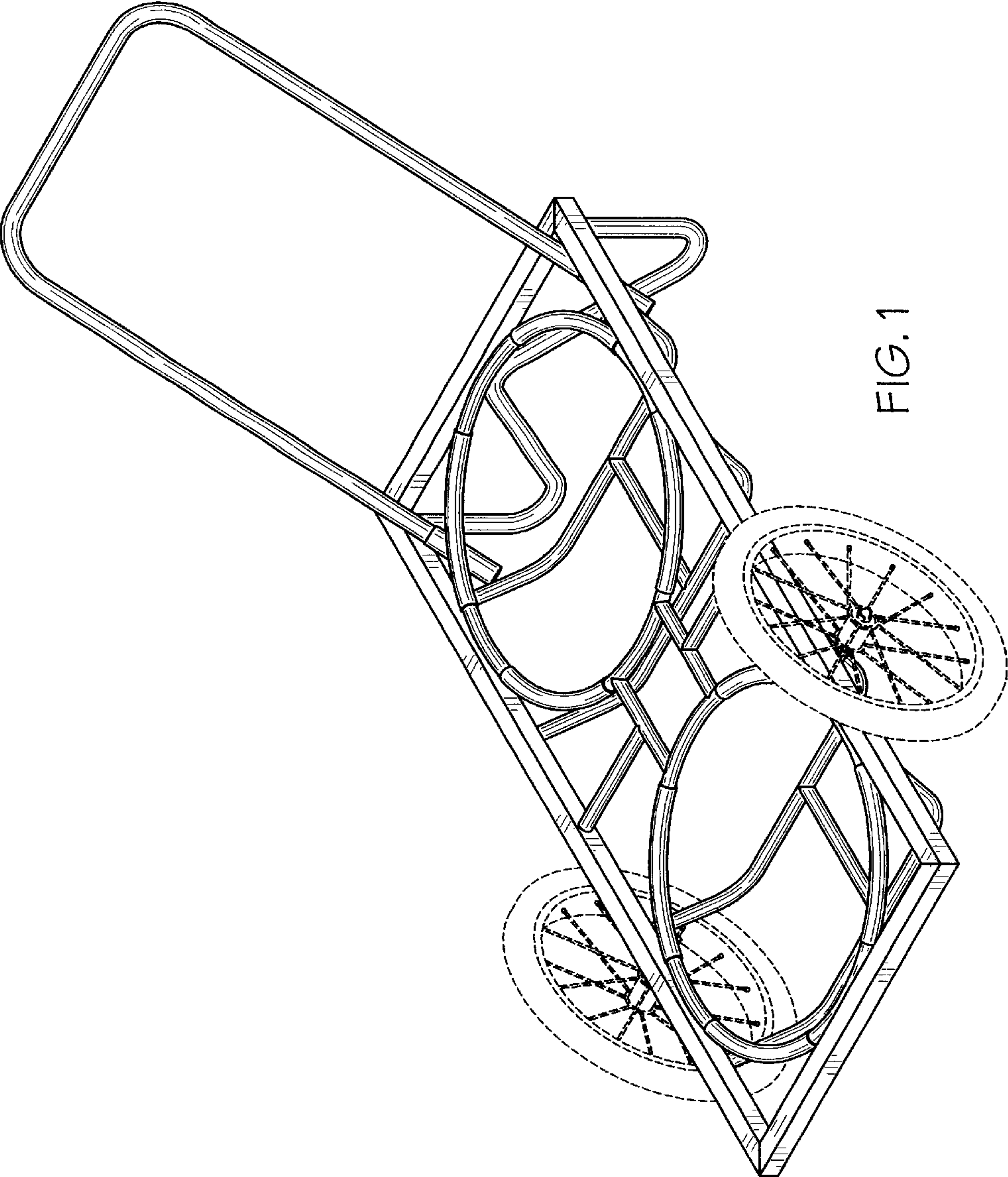


FIG. 1

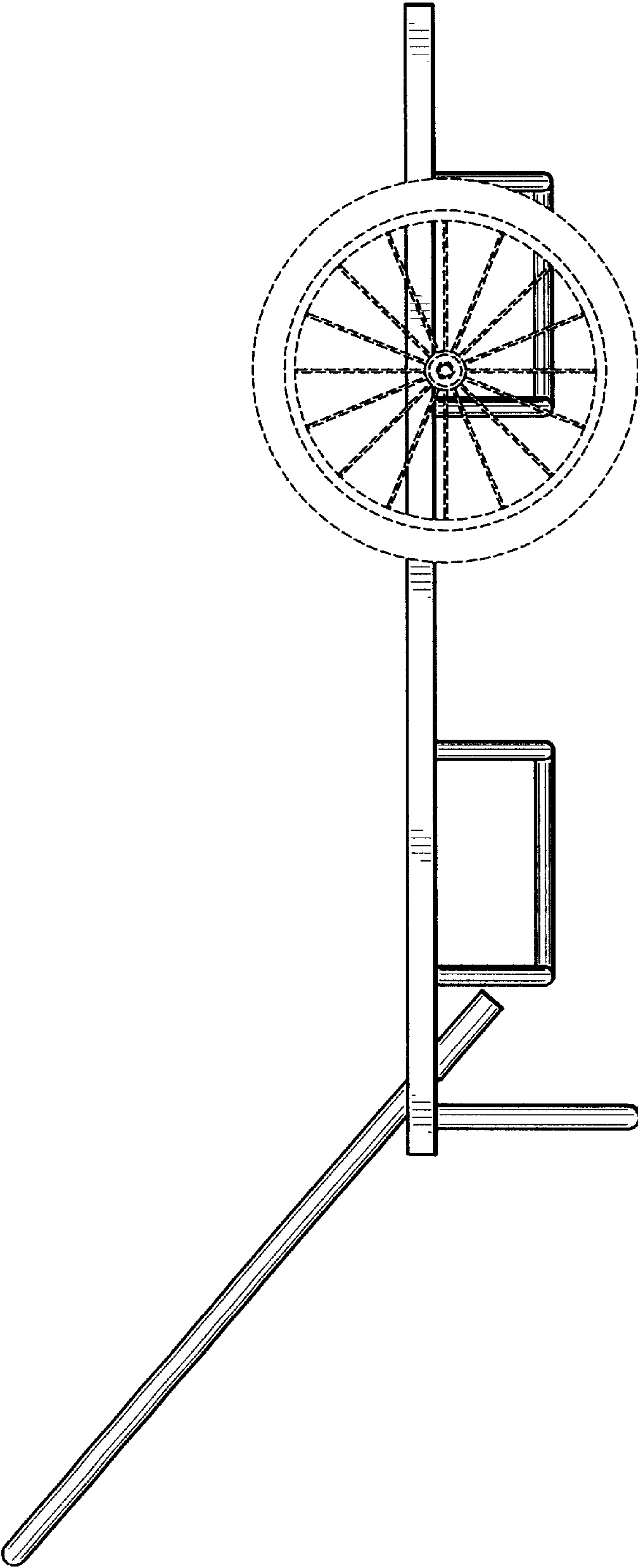


FIG. 2

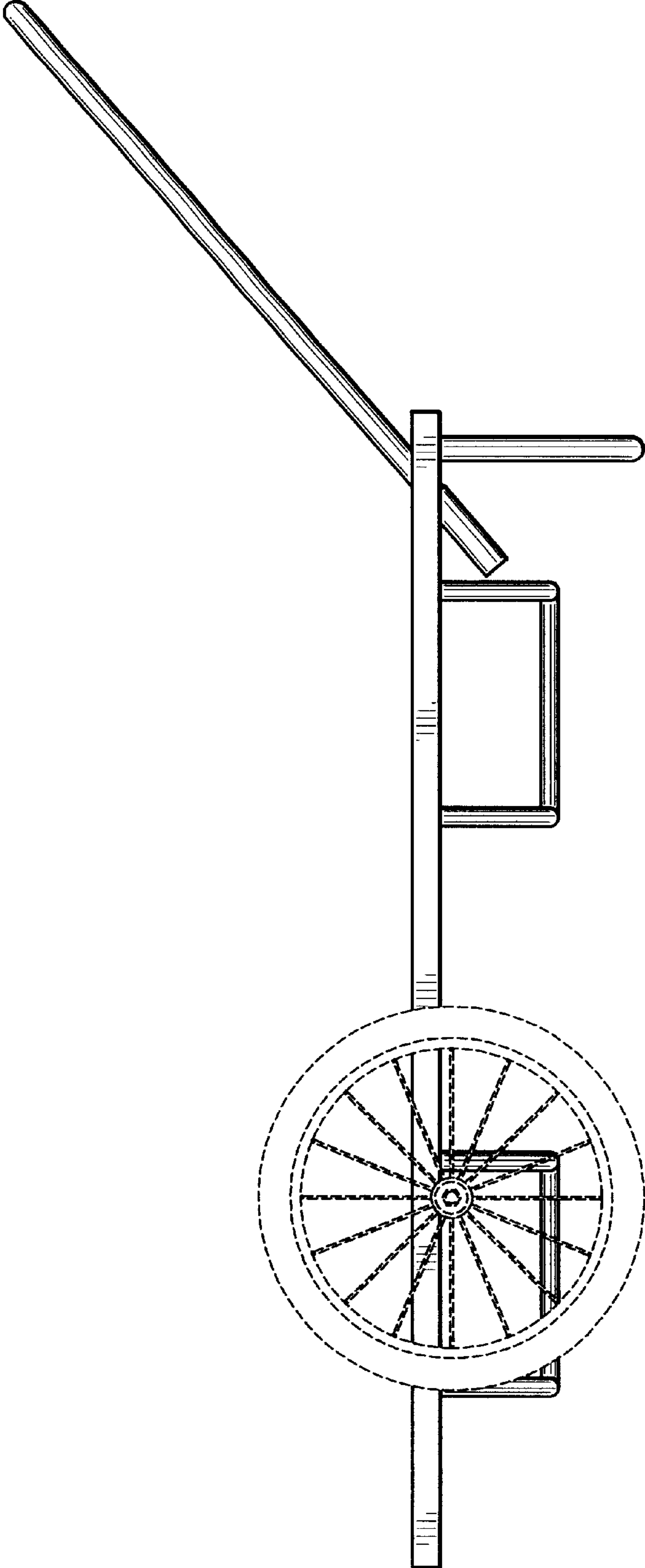


FIG. 3

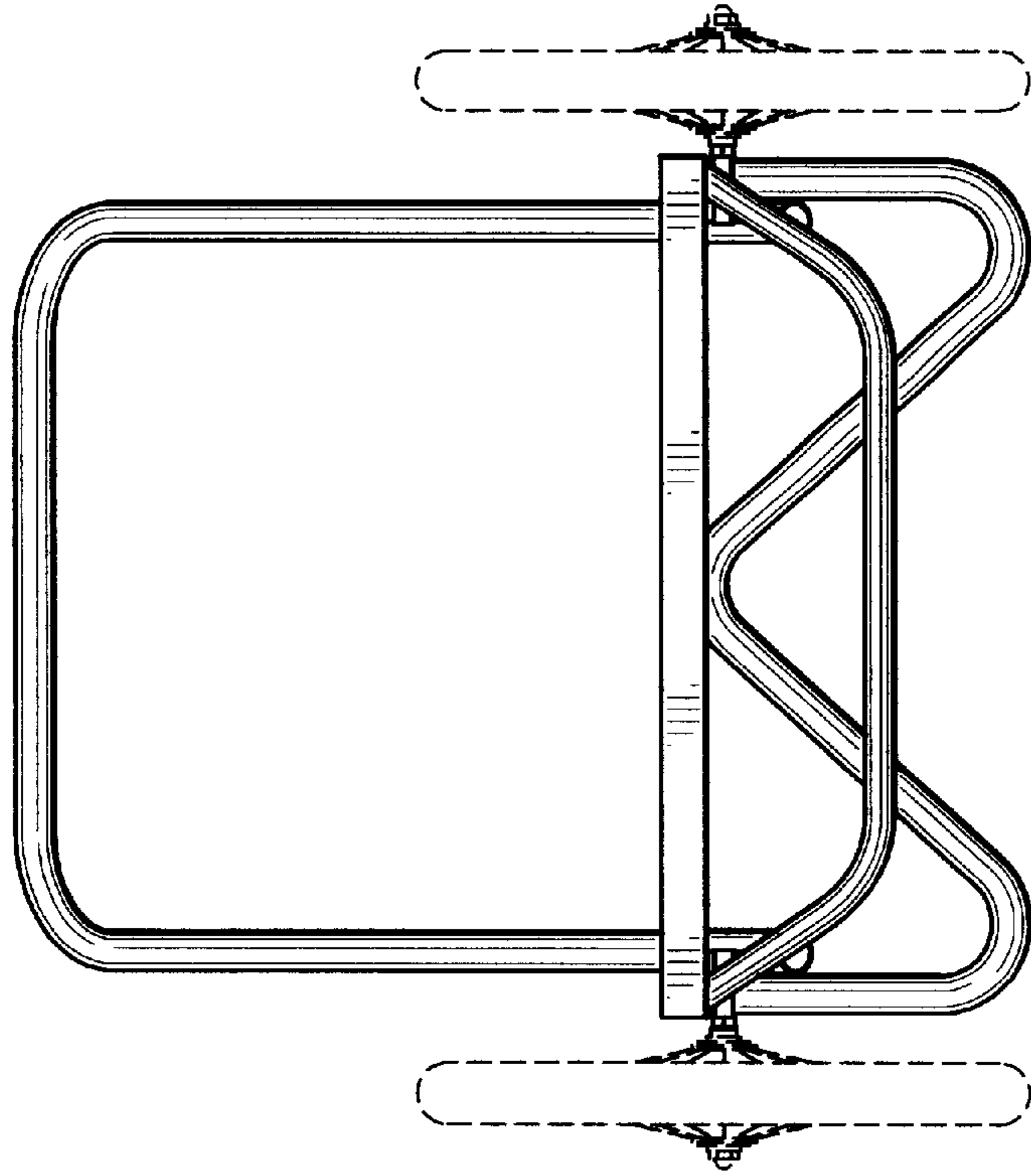


FIG. 5

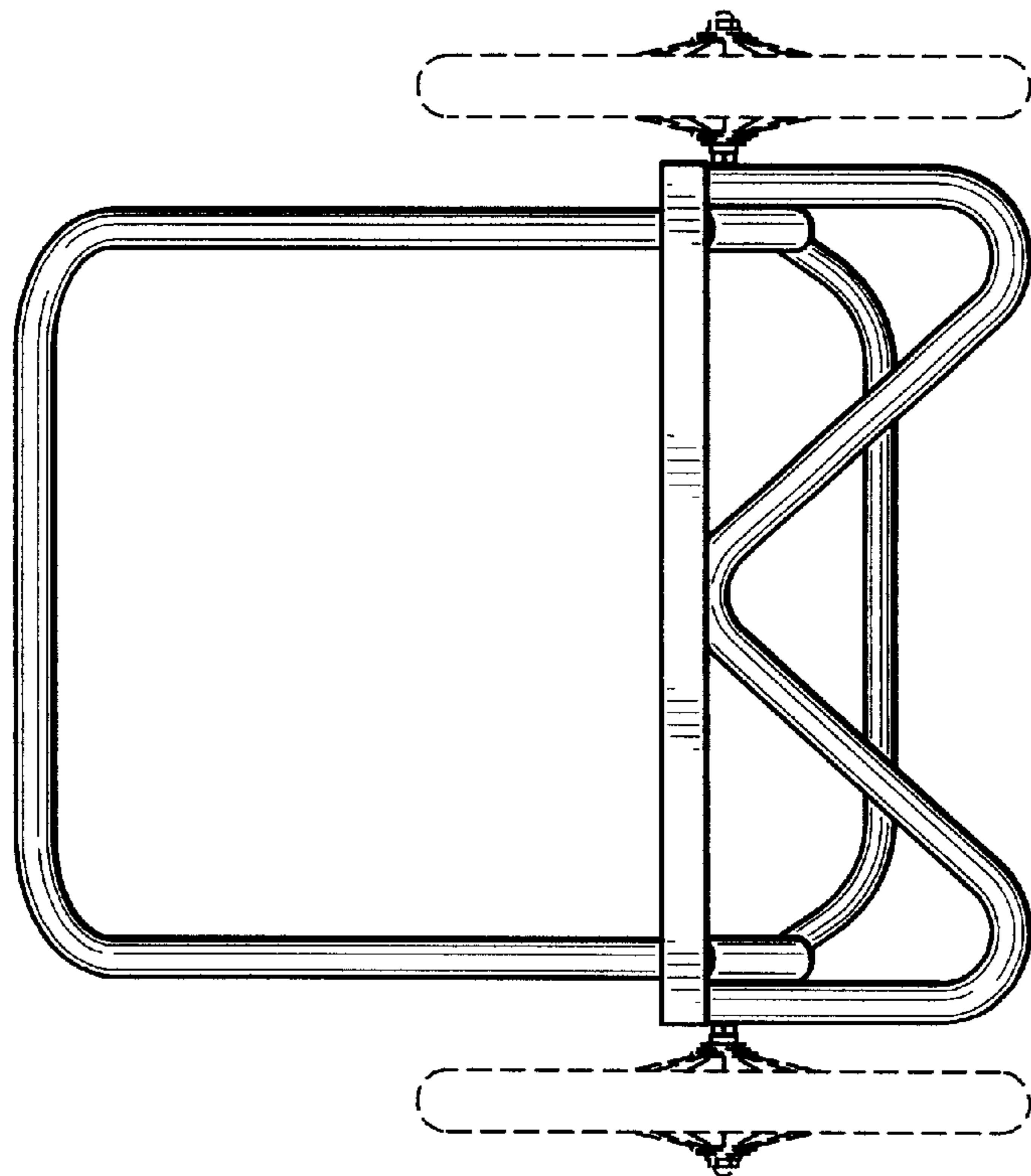


FIG. 4

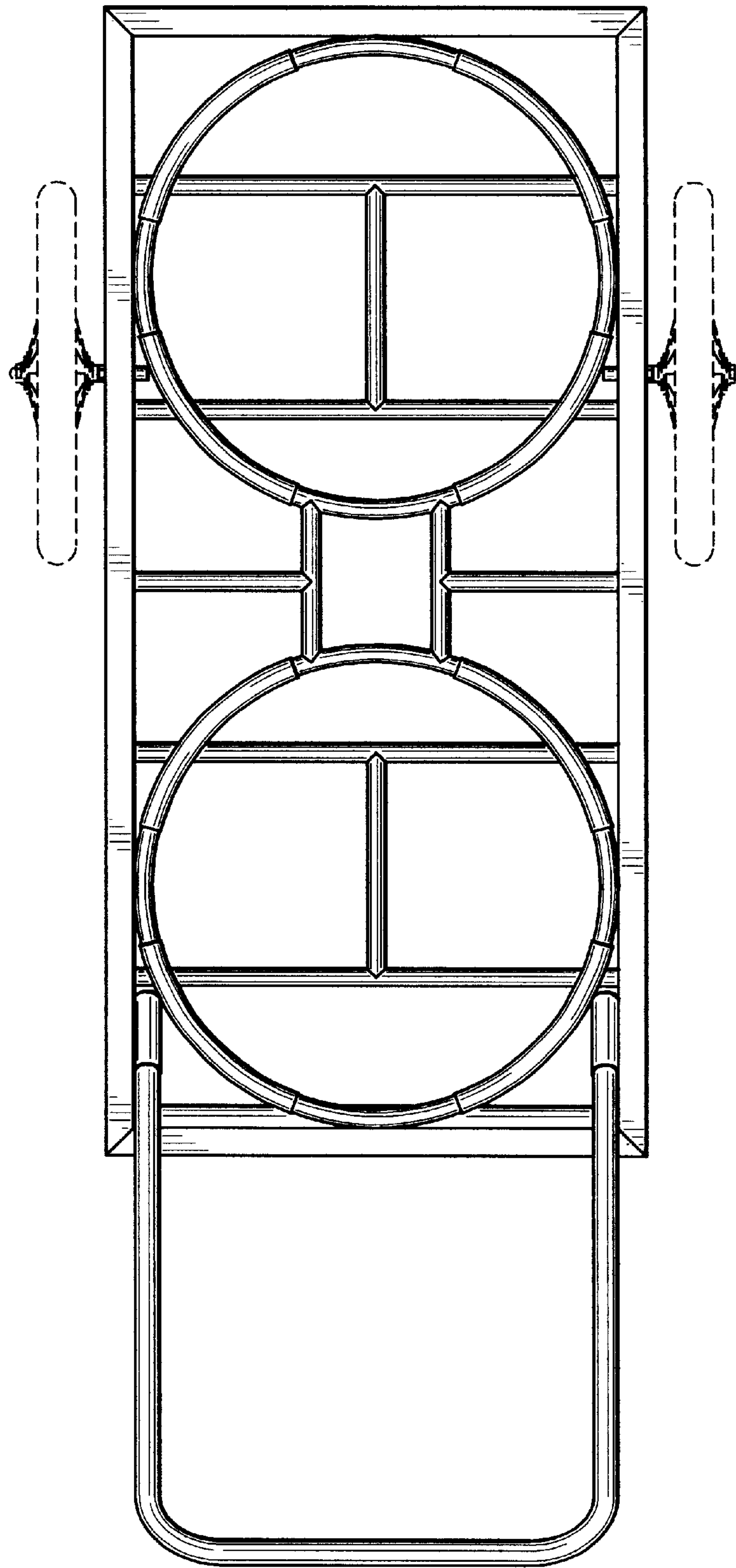


FIG. 6

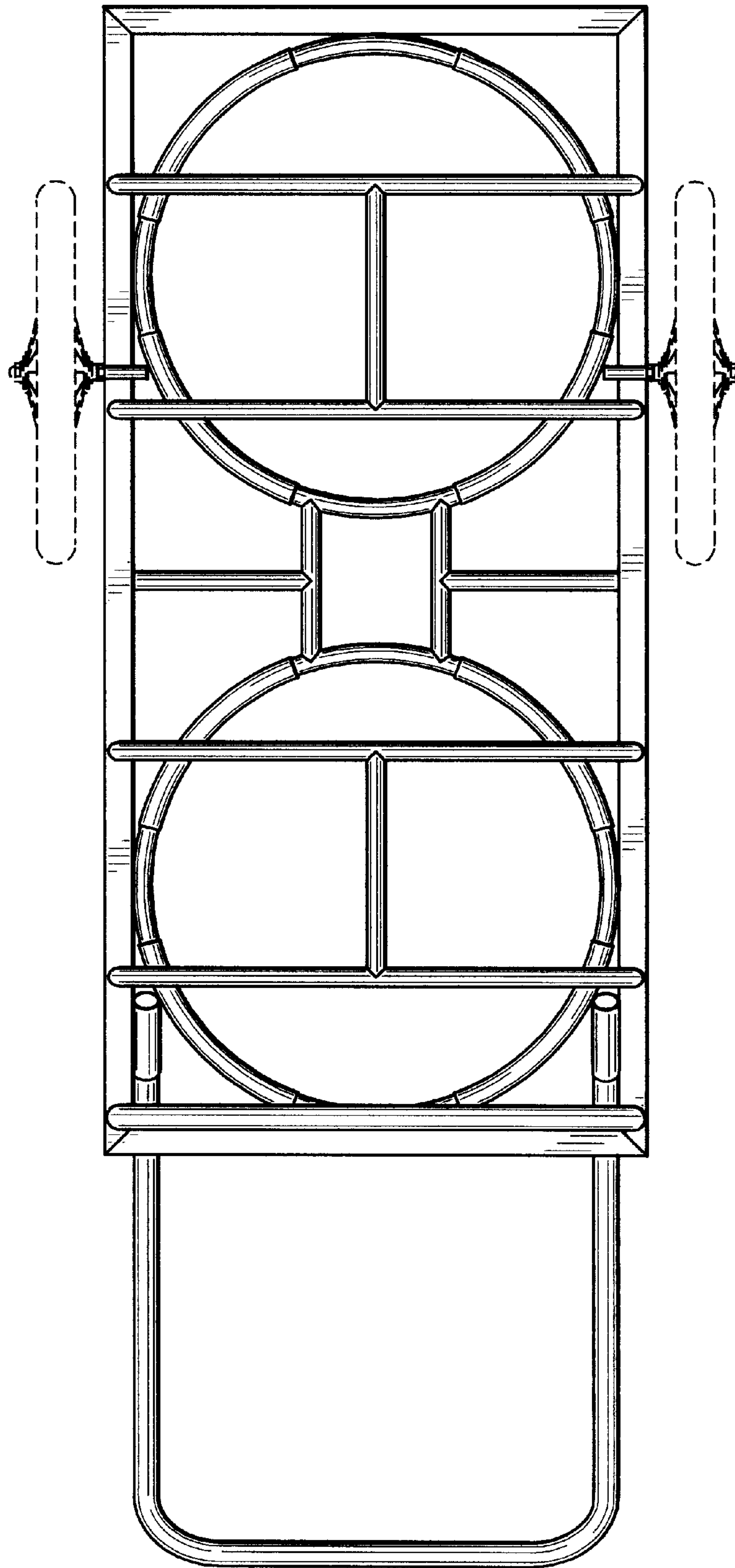


FIG. 7