

US00D532173S

(12) **United States Design Patent** (10) **Patent No.:** **US D532,173 S**
Aiken et al. (45) **Date of Patent:** **** Nov. 14, 2006**

(54) **WASTE CONTAINER**
(75) Inventors: **Cynthia R. Aiken**, Atlanta, GA (US);
William P. Apps, Alpharetta, GA (US);
Roger S. Hsu, Torrance, CA (US)

6,036,204 A 3/2000 Craft et al.
D429,398 S 8/2000 Wysocki
D445,228 S 7/2001 Apps et al.
D474,317 S 5/2003 Tuduri
D478,197 S 8/2003 Raghunathan
2002/0153681 A1 10/2002 Young

(73) Assignee: **Rehrig Pacific Company**, Los Angeles, CA (US)

FOREIGN PATENT DOCUMENTS

(**) **Term:** **14 Years**

CA 2 344 843 11/2001
DE 830 171 1/1952
DE 11 91 740 4/1965
DK 9 500 261 10/1996
EP 1 106 535 6/2001
EP 1 157 946 A 11/2001
GB 2 338 942 A 1/2000
WO WO 97 46468 A1 12/1997
WO WO 03/050017 A1 6/2003

(21) **Appl. No.:** **29/207,096**

(22) **Filed:** **Jun. 7, 2004**

Related U.S. Application Data

(63) Continuation of application No. 29/181,447, filed on May 9, 2003, now Pat. No. Des. 491,328.

(51) **LOC (8) Cl.** **09-09**

(52) **U.S. Cl.** **D34/5**

(58) **Field of Classification Search** D34/1,
D34/5, 6, 7, 8, 9, 10, 11; 220/908, 909, 910,
220/911, 67; 280/47.26

See application file for complete search history.

OTHER PUBLICATIONS

Brochure—Milko Der Milko 42-Liter-Rollerbehälter Mini-
male Abmessungen Maximaler Vorteil—2 pages—dated
1996.

Primary Examiner—Cynthia E. Ramirez

(57) **CLAIM**

The ornamental design for a waste container, as shown and described.

(56) **References Cited**

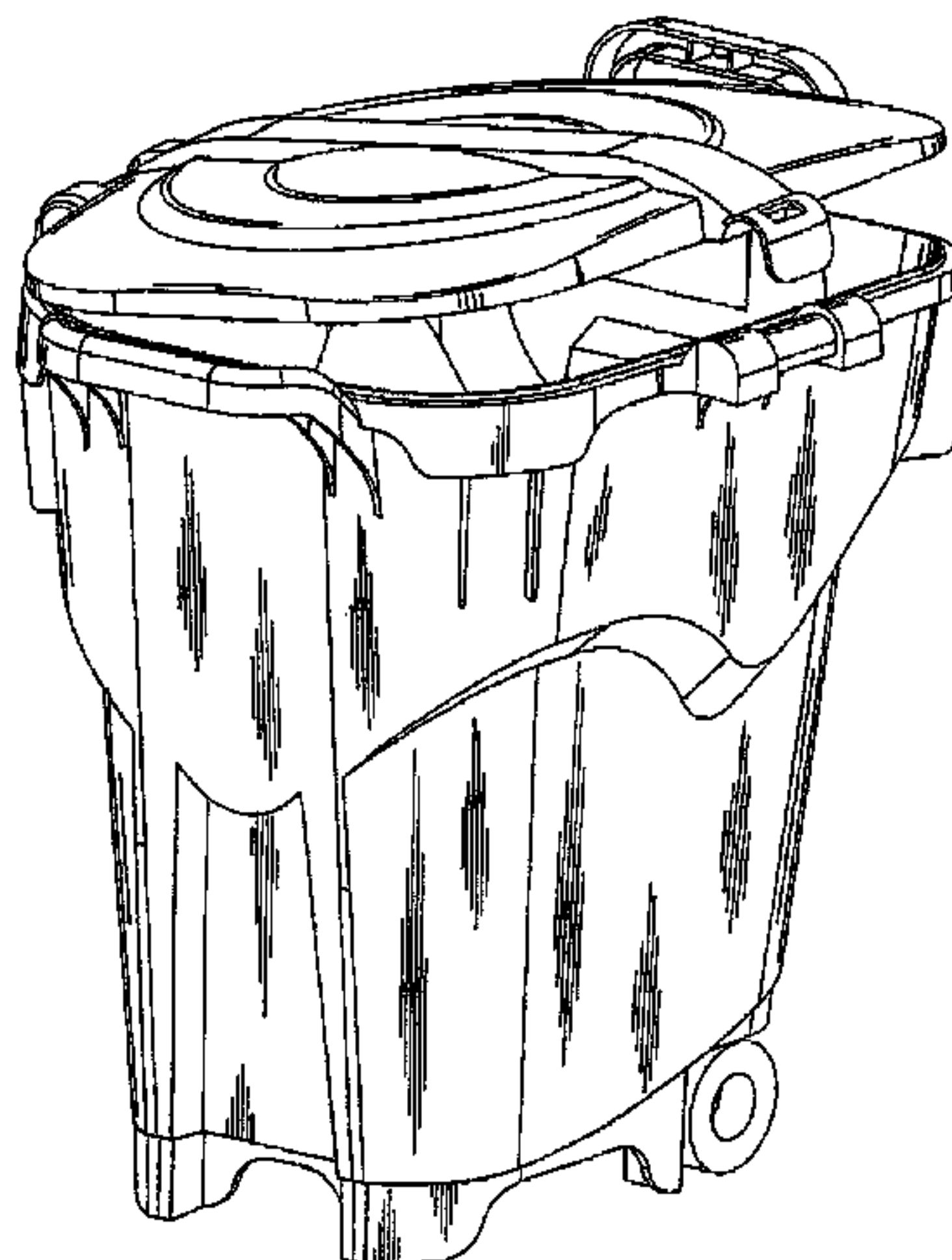
U.S. PATENT DOCUMENTS

3,384,385 A 5/1968 Cohen et al.
3,830,514 A 8/1974 Green
D291,738 S 9/1987 Orłowski
D291,739 S 9/1987 Orłowski
4,691,840 A 9/1987 Ferbrache
D292,638 S 11/1987 Carville
D313,491 S 1/1991 Edelhoff et al.
D323,912 S 2/1992 Delmerico
5,163,577 A 11/1992 Lee
D347,095 S 5/1994 Apps
D355,741 S 2/1995 Craft
D357,779 S 4/1995 Breen
D388,577 S 12/1997 Rehrig
D398,120 S 9/1998 Rehrig
D410,125 S 5/1999 Rehrig
5,899,468 A 5/1999 Apps

DESCRIPTION

FIG. 1 is a rear elevational view of a waste container according to the present invention.
FIG. 2 is a left side elevational view thereof;
FIG. 3 is a right side elevational view thereof;
FIG. 4 is a top plan view thereof;
FIG. 5 is an alternate rear elevational view thereof, showing the handle rotated 180 degrees;
FIG. 6 is a rear perspective view thereof, showing the lid in a slightly raised position; and,
FIG. 7 is a front perspective view thereof, showing the lid in a slightly raised position.

1 Claim, 7 Drawing Sheets



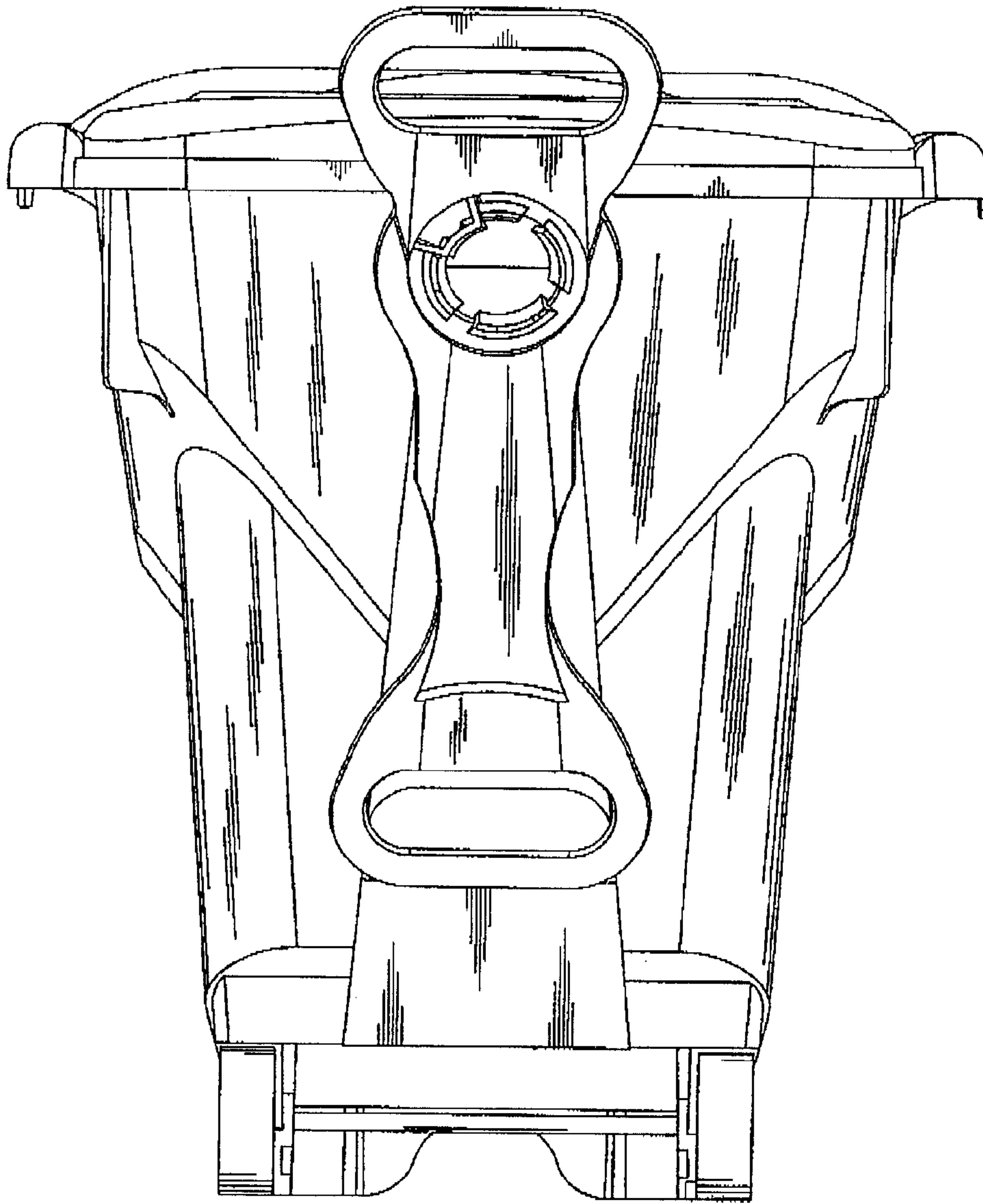


Fig. 1

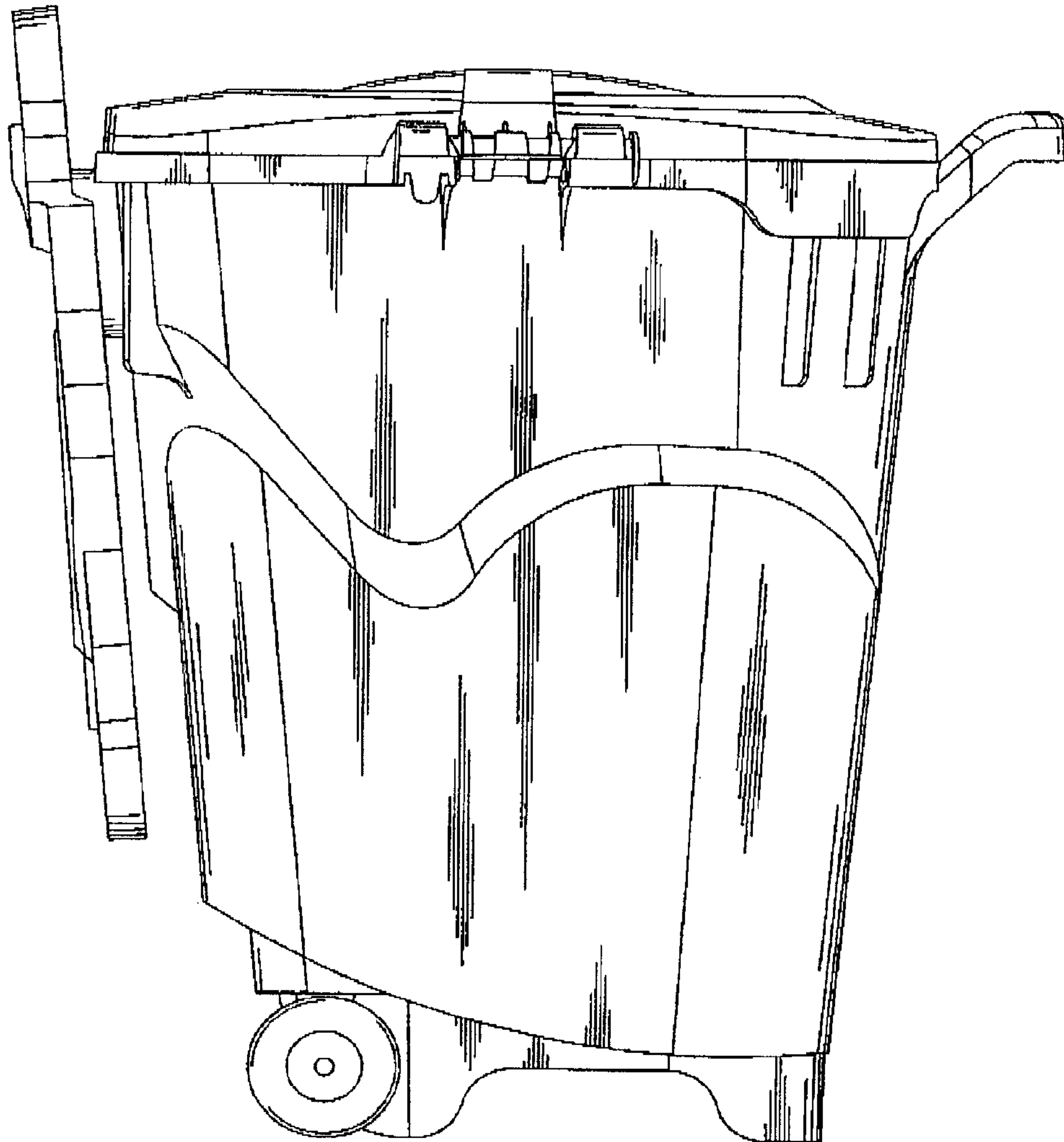


Fig. 2

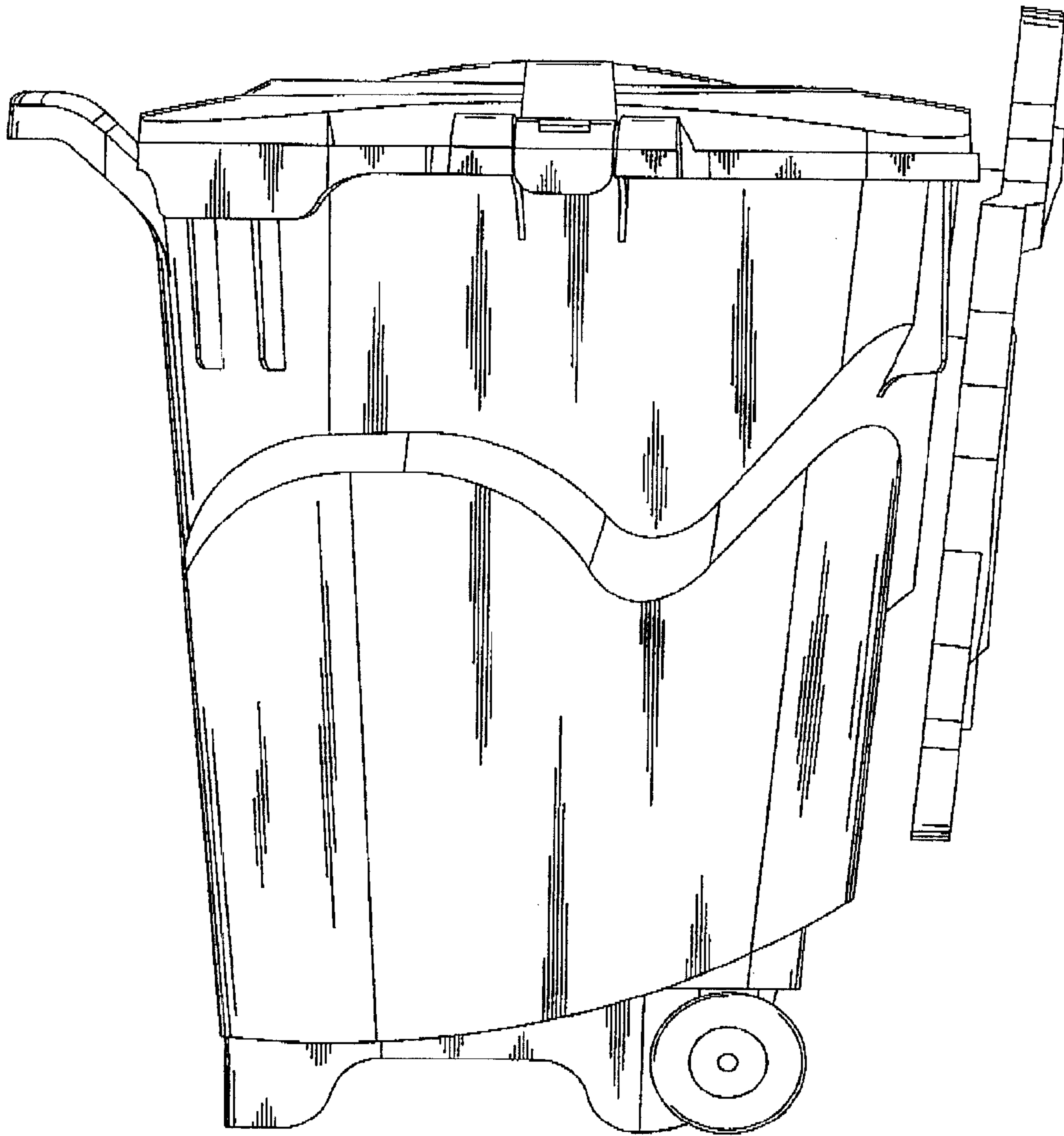


Fig. 3

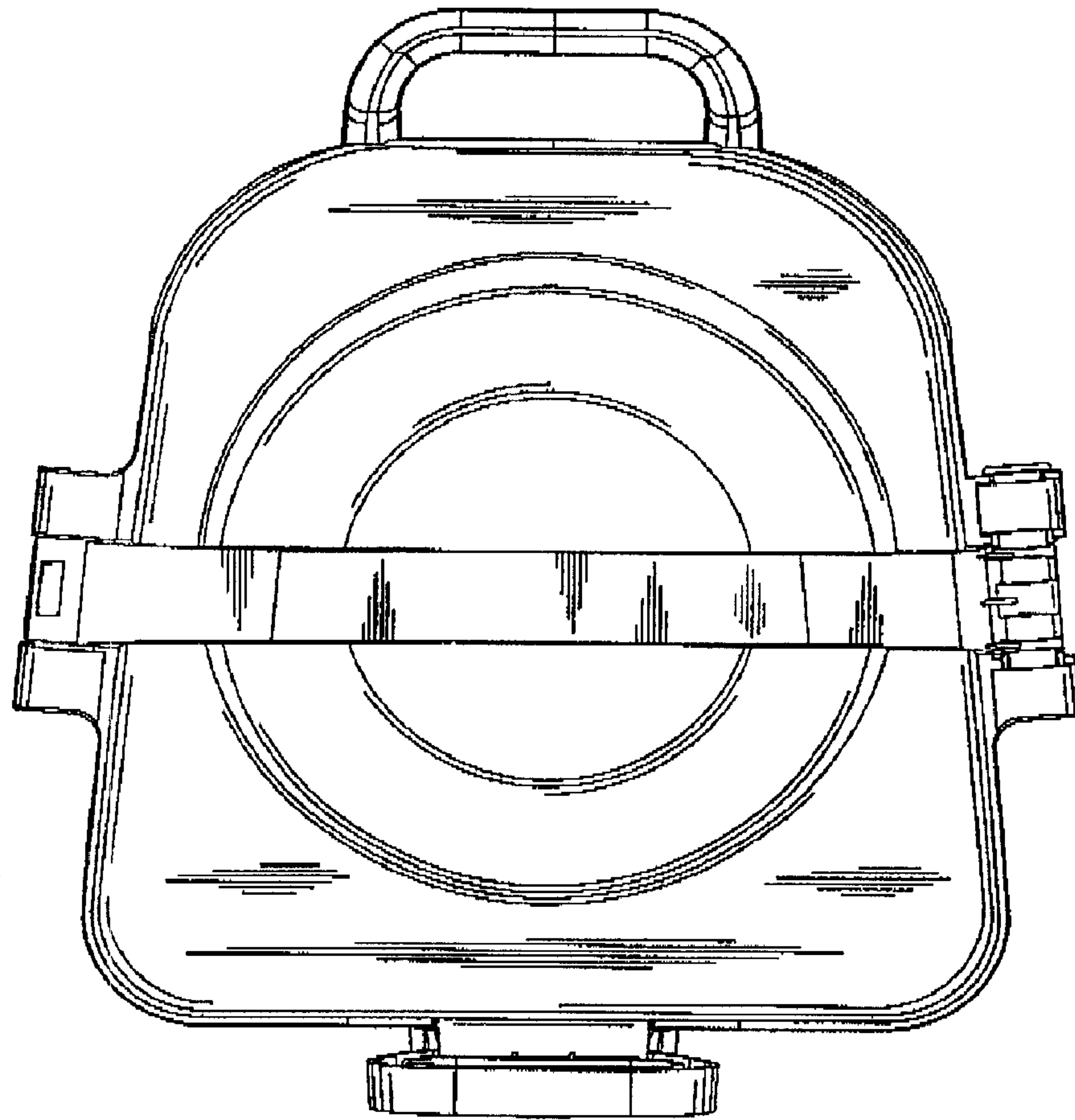


Fig. 4

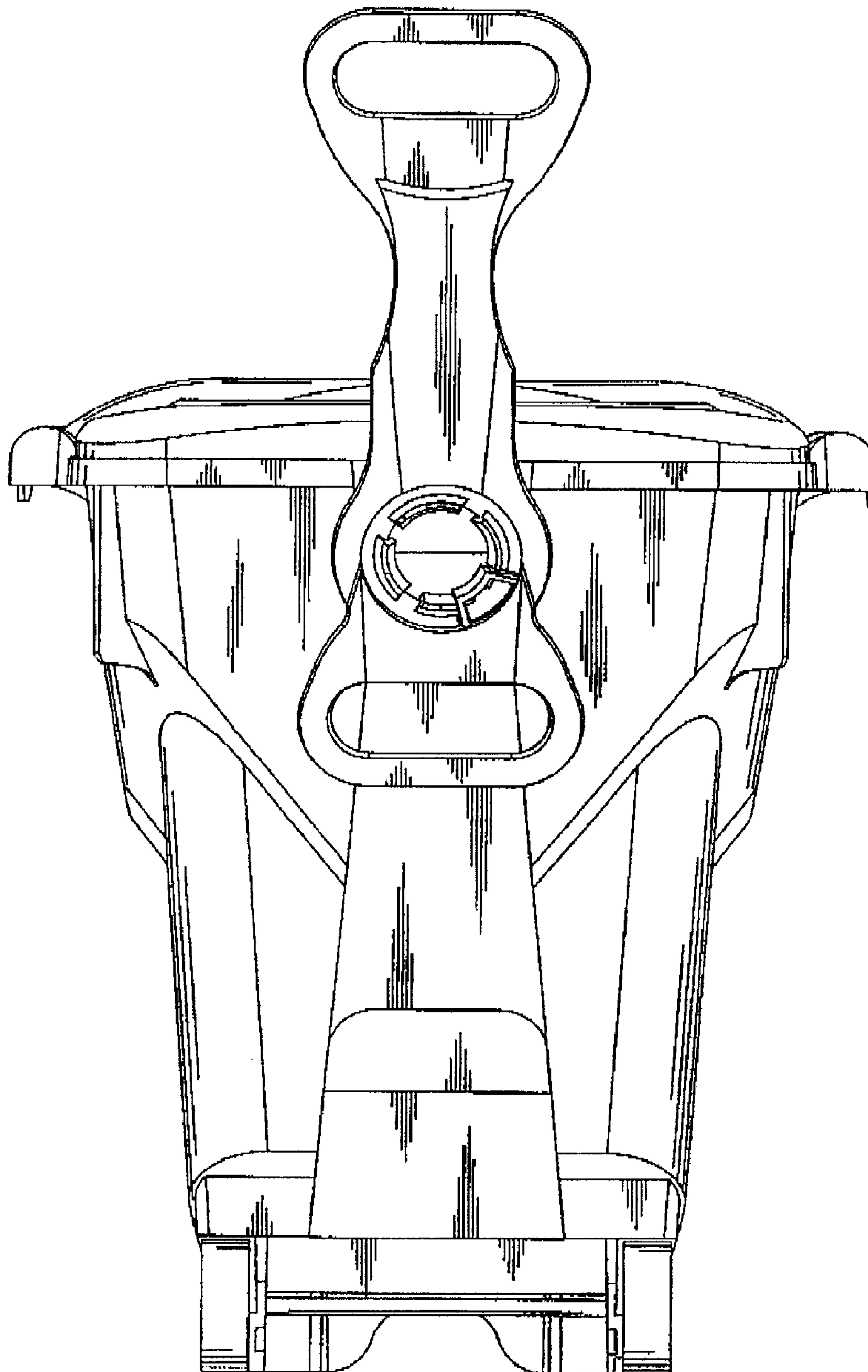


Fig. 5

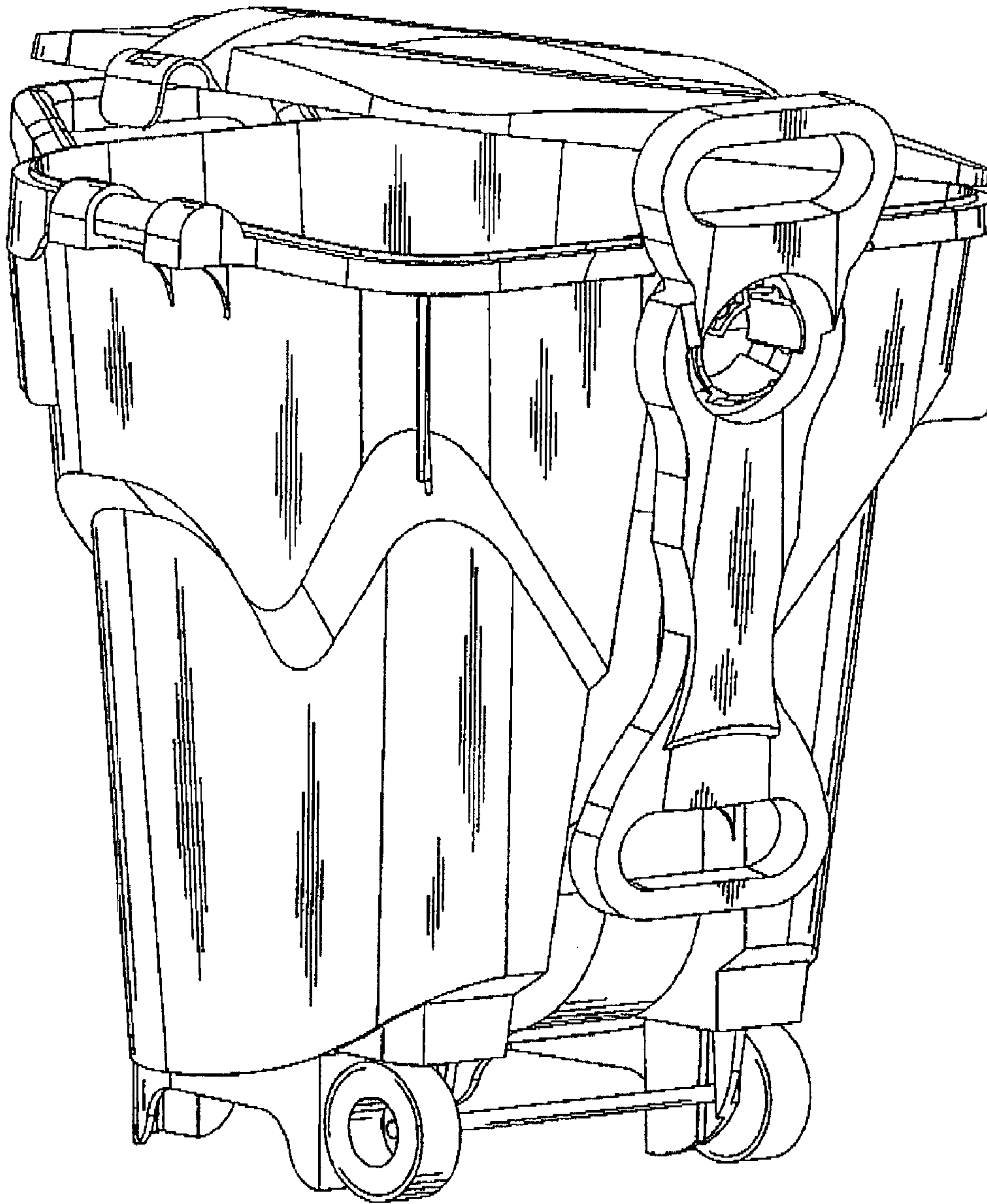


Fig. 6

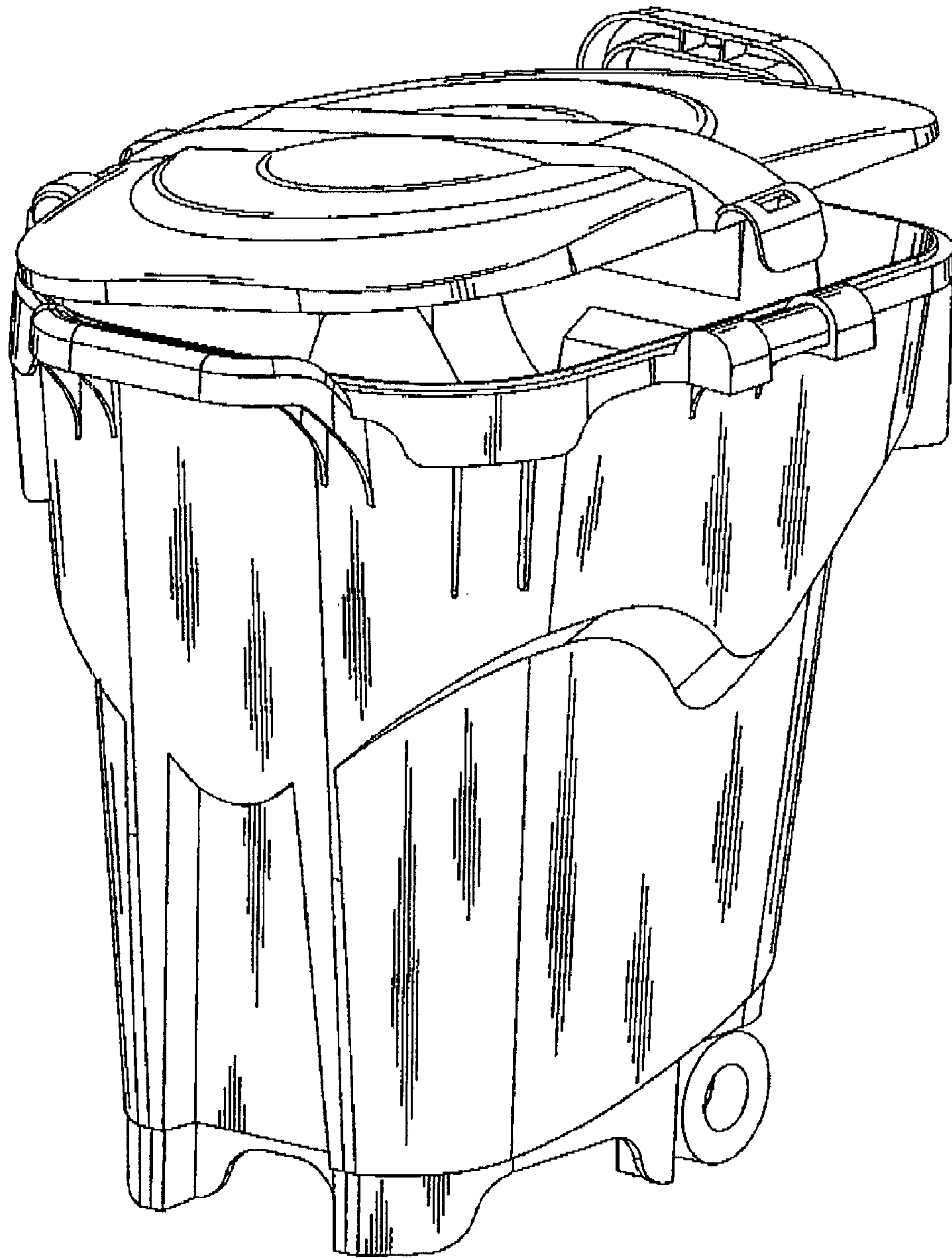


Fig. 7