



US00D532169S

(12) **United States Design Patent**  
**Dyson et al.**

(10) **Patent No.:** **US D532,169 S**

(45) **Date of Patent:** **\*\* Nov. 14, 2006**

(54) **HANDLE FOR A SURFACE-TREATING APPLIANCE**

(75) Inventors: **James Dyson**, Dodington (GB); **Stuart Lloyd Genn**, Swindon (GB)

(73) Assignee: **Dyson Limited**, Wiltshire (GB)

(\*\*) Term: **14 Years**

(21) Appl. No.: **29/234,436**

(22) Filed: **Jul. 19, 2005**

(30) **Foreign Application Priority Data**

Jan. 19, 2005 (GB) ..... 3020040

(51) **LOC (8) Cl.** ..... **15-05**

(52) **U.S. Cl.** ..... **D32/34**

(58) **Field of Classification Search** ..... D32/21, D32/22-23, 31, 34; 15/320-321, 327.1, 327.2, 15/323, 329, 334-335, 347, 350, 351, 353, 15/361, 410-411, DIG. 10; 55/346, DIG. 3, 55/459.1, 337, 429; 95/271

See application file for complete search history.

(56) **References Cited**

**U.S. PATENT DOCUMENTS**

4,720,890 A \* 1/1988 Jacob ..... 15/323

D315,043 S	*	2/1991	Hayden	.....	D32/34
D333,023 S	*	2/1993	Herron, Jr.	.....	D32/34
D334,447 S	*	3/1993	Rohn	.....	D32/34
D406,422 S	*	3/1999	Burchard et al.	.....	D32/34
D426,038 S	*	5/2000	Essex et al.	.....	D32/34
D428,677 S	*	7/2000	Saunders et al.	.....	D32/34
D430,369 S	*	8/2000	Medema et al.	.....	D32/34
6,526,623 B1	*	3/2003	Dyson	.....	15/334
7,000,288 B1	*	2/2006	Nighy	.....	15/327.1

\* cited by examiner

*Primary Examiner*—Ruth McInroy

(74) *Attorney, Agent, or Firm*—Morrison & Foerster LLP

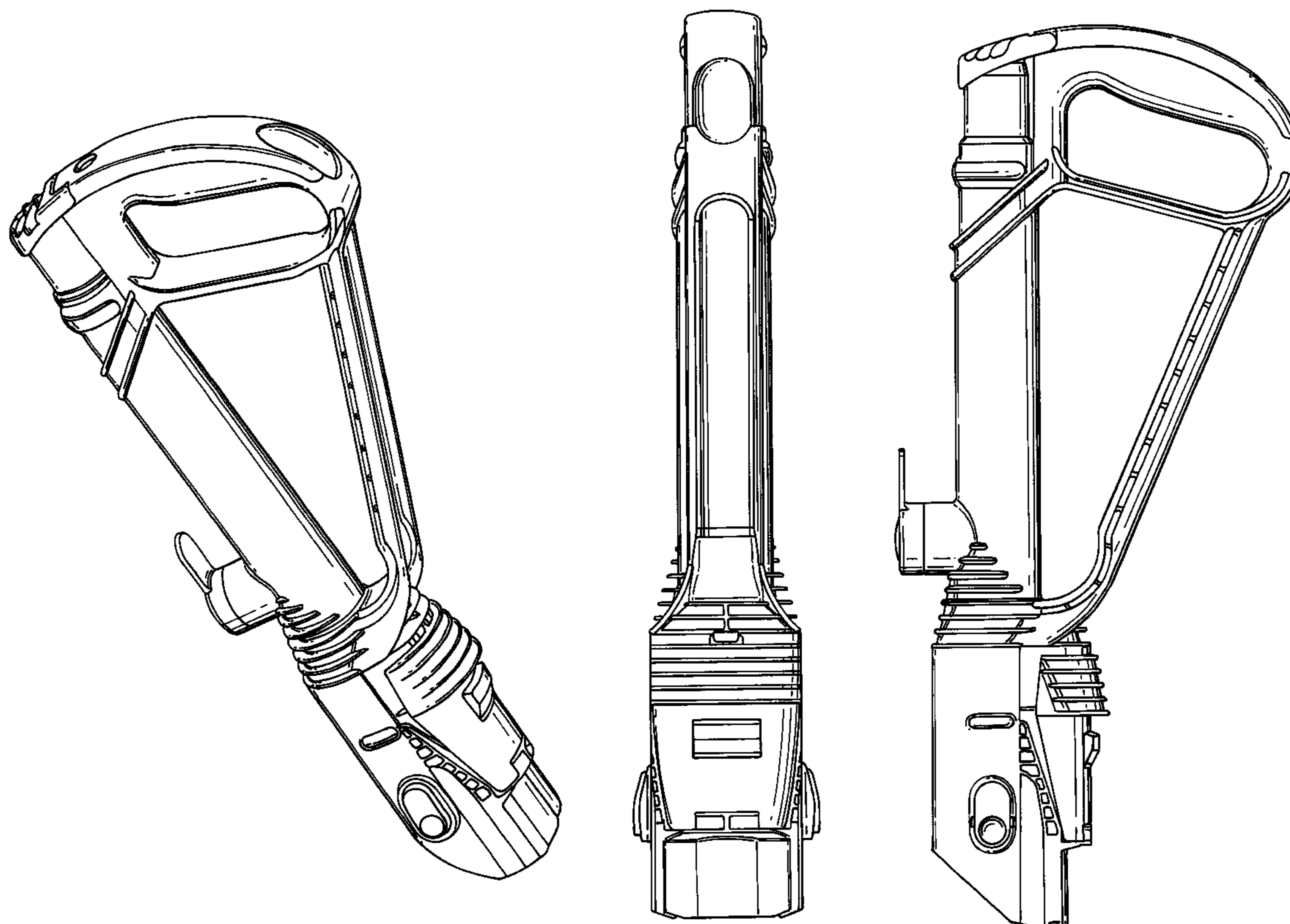
(57) **CLAIM**

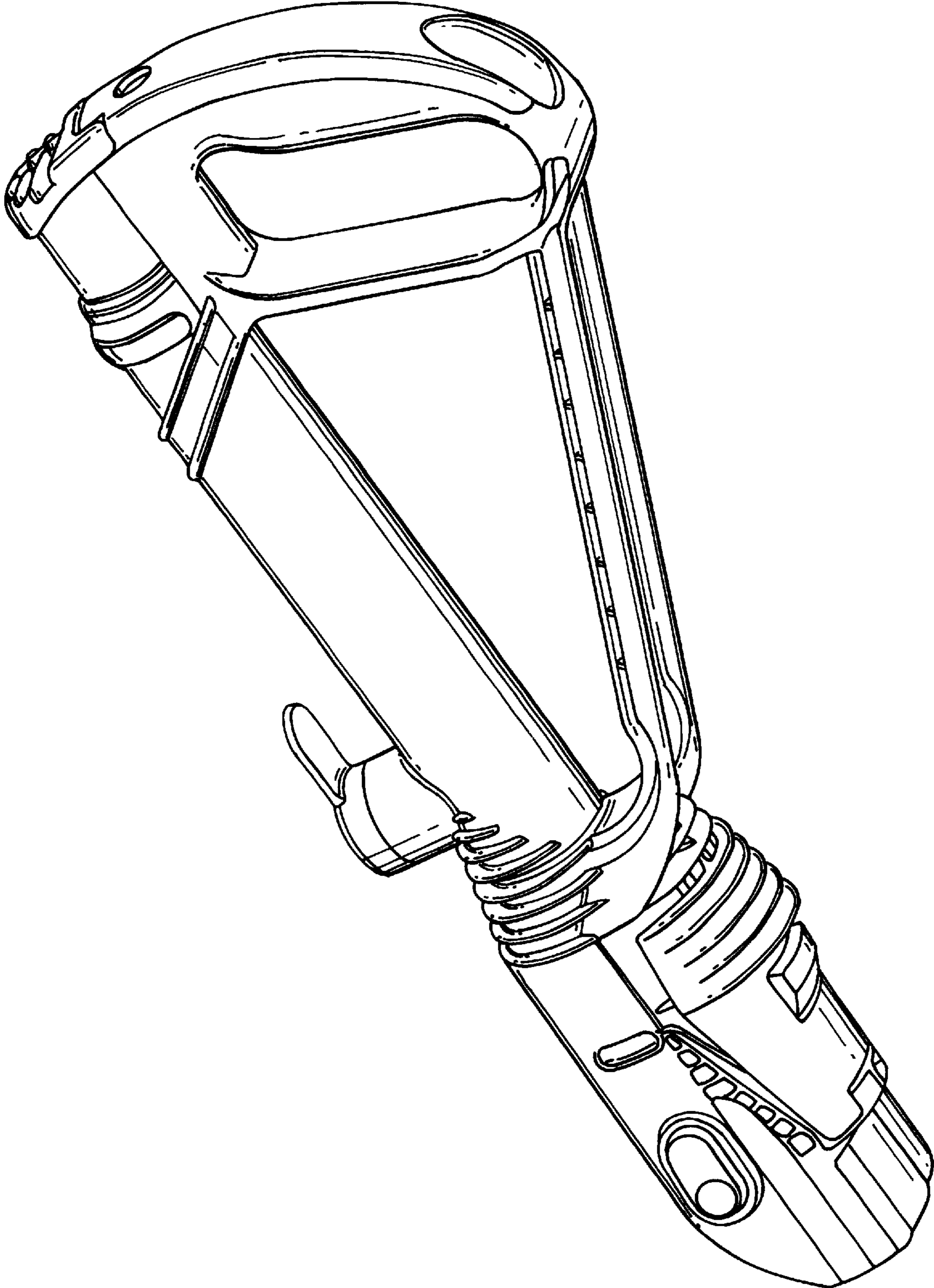
We claim the ornamental design for a handle for a surface-treating appliance, as shown and described.

**DESCRIPTION**

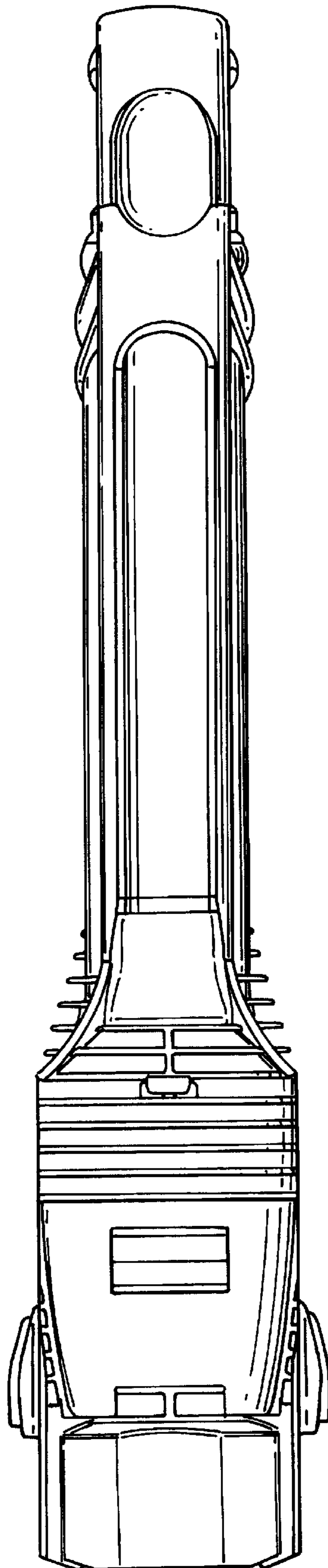
FIG. 1 is a front and side perspective view of a handle for a surface-treating appliance showing our new design; FIG. 2 is a front view thereof; FIG. 3 is a rear view thereof; FIG. 4 is a side view thereof; FIG. 5 is a view of the opposite side of FIG. 4; FIG. 6 is a top plan view thereof; and, FIG. 7 is a bottom plan view thereof.

**1 Claim, 7 Drawing Sheets**

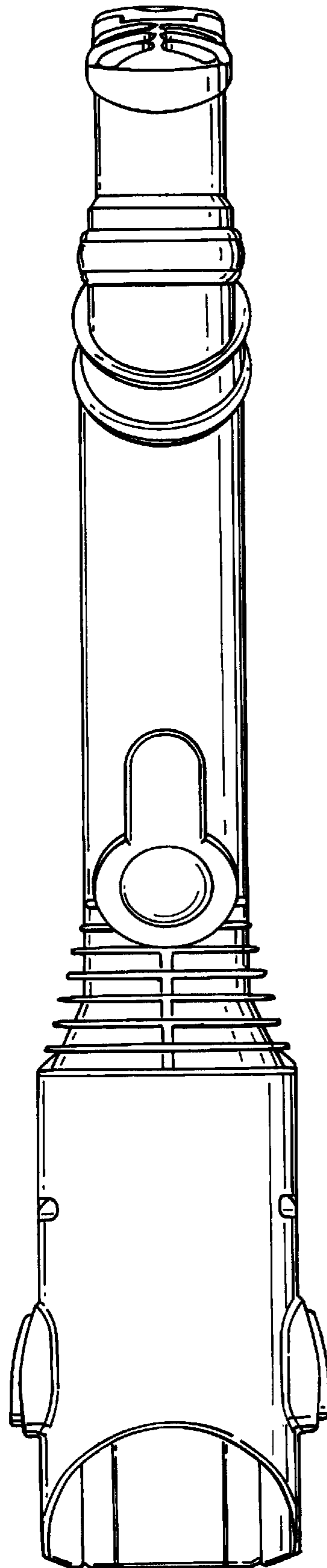




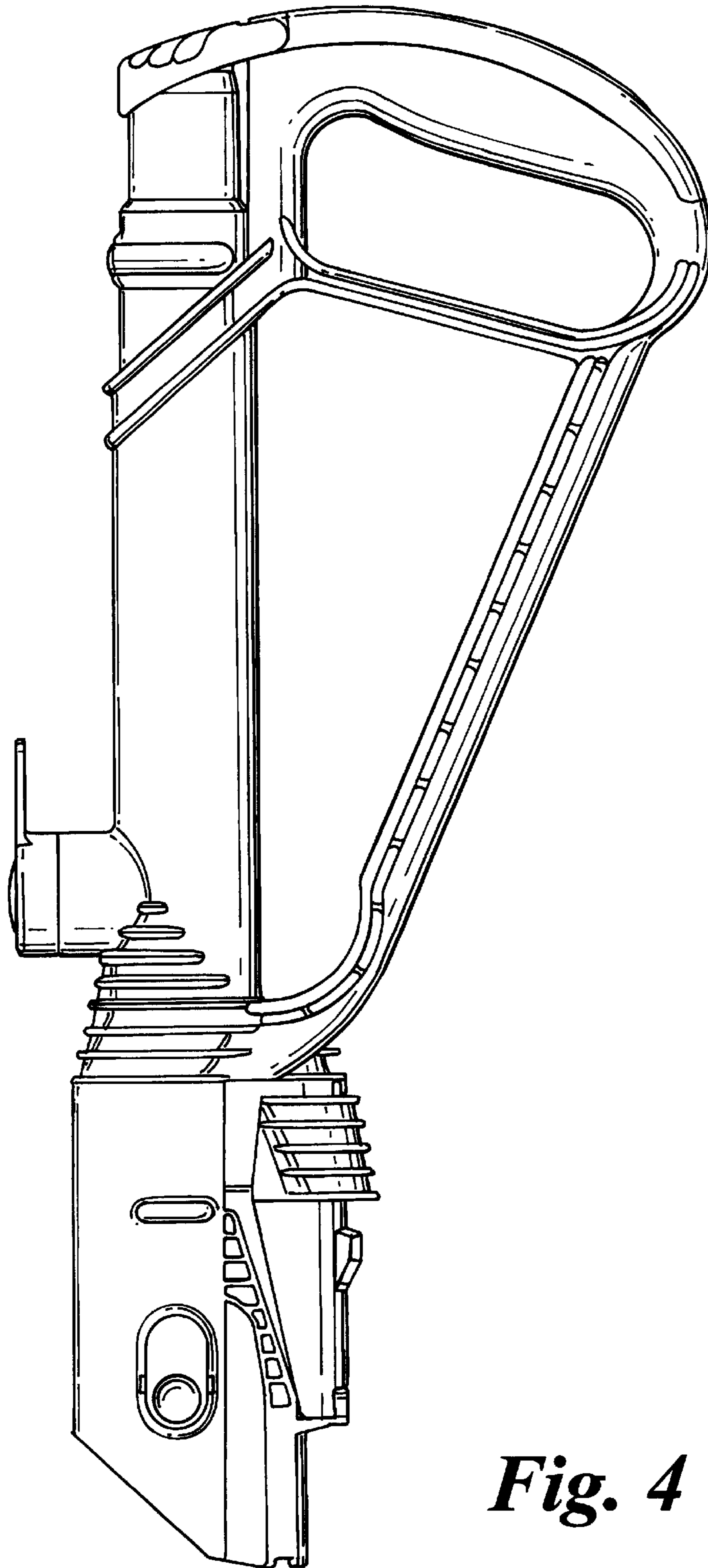
*Fig. 1*



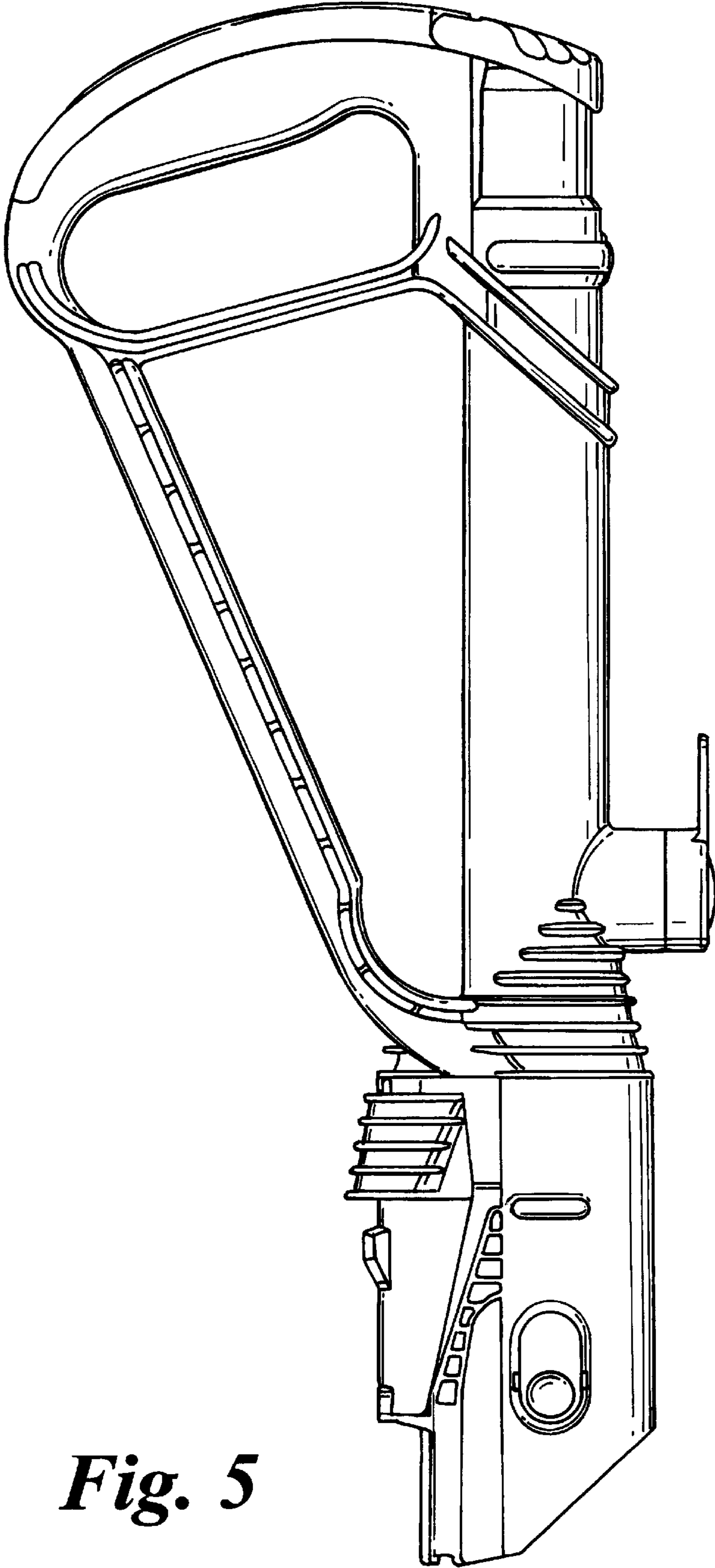
*Fig. 2*



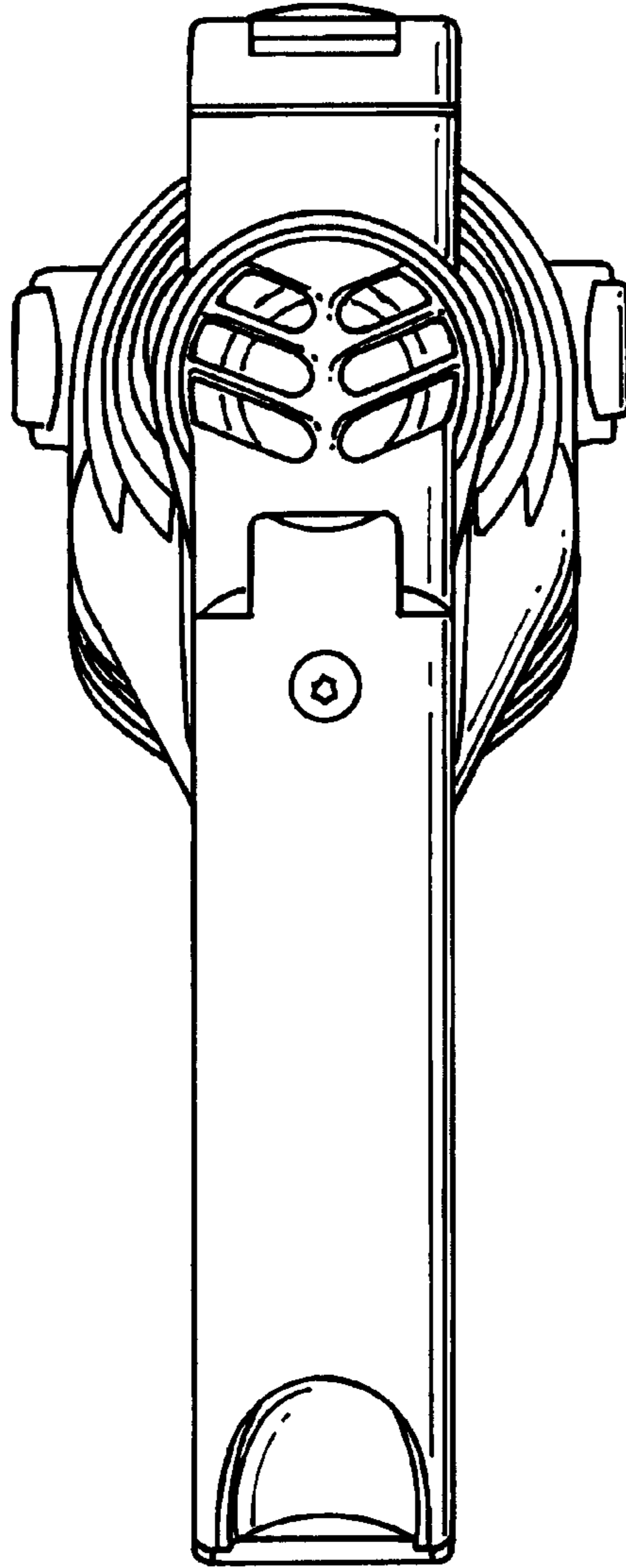
*Fig. 3*



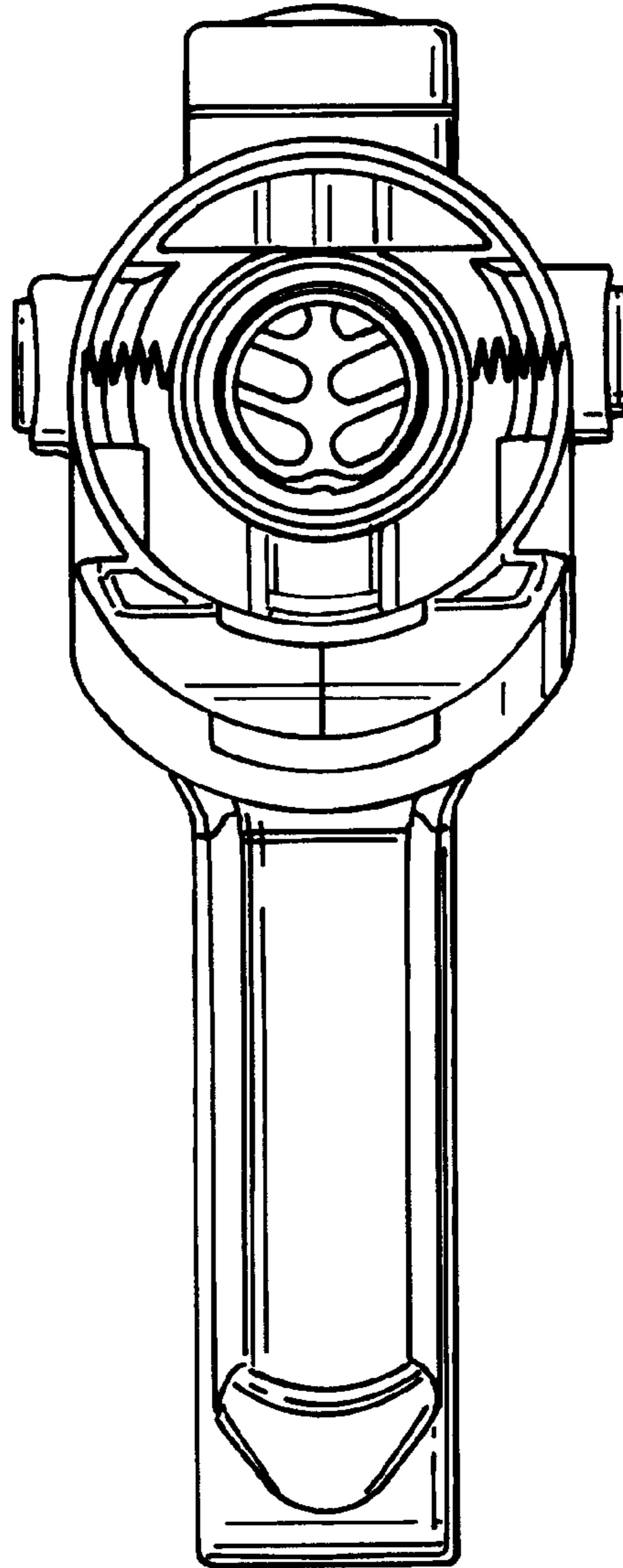
*Fig. 4*



*Fig. 5*



*Fig. 6*



*Fig. 7*