



US00D532168S

(12) **United States Design Patent**  
**Elrod**

(10) **Patent No.:** **US D532,168 S**

(45) **Date of Patent:** **\*\* Nov. 14, 2006**

(54) **CANISTER BODY FOR UPRIGHT VACUUM CLEANER**

(75) Inventor: **Jeffrey M. Elrod**, Lexington, KY (US)

(73) Assignee: **Panasonic Corporation of North America**, Secaucus, NJ (US)

(\*\*) Term: **14 Years**

(21) Appl. No.: **29/234,383**

(22) Filed: **Jul. 18, 2005**

(51) **LOC (8) Cl.** ..... **15-05**

(52) **U.S. Cl.** ..... **D32/31**

(58) **Field of Classification Search** ..... D32/22,  
D32/31; 15/222, 320–322, 326, 329, 347,  
15/350, 352–354, 361, 410, 412, 415.1; 55/337,  
55/345, 459.1, 429, DIG. 3

See application file for complete search history.

(56) **References Cited**

**U.S. PATENT DOCUMENTS**

D398,098 S	9/1998	Mehaffey et al.	
D416,114 S	11/1999	Mehaffey	
D442,750 S	* 5/2001	Saunders et al.	..... D32/31
D442,751 S	5/2001	Mehaffey et al.	
D444,275 S	6/2001	Mehaffey	
6,260,234 B1	7/2001	Wright et al.	
D460,227 S	7/2002	Leyden	
D461,285 S	* 8/2002	Hammond	..... D32/31

D485,027 S	1/2004	Brown	
D487,323 S	3/2004	Leyden et al.	
D488,272 S	* 4/2004	Leyden et al.	..... D32/31
D488,274 S	* 4/2004	Leyden et al.	..... D32/31
D488,894 S	4/2004	Leyden	
D489,850 S	5/2004	Elrod et al.	
D497,042 S	10/2004	Elrod	
D515,755 S	* 2/2006	Leyden	..... D32/31
D519,250 S	* 4/2006	Leyden	..... D32/22
D521,698 S	* 5/2006	Rosenzweig et al.	..... D32/22

\* cited by examiner

*Primary Examiner*—Ruth McInroy

(74) *Attorney, Agent, or Firm*—King & Schickli, PLLC

(57) **CLAIM**

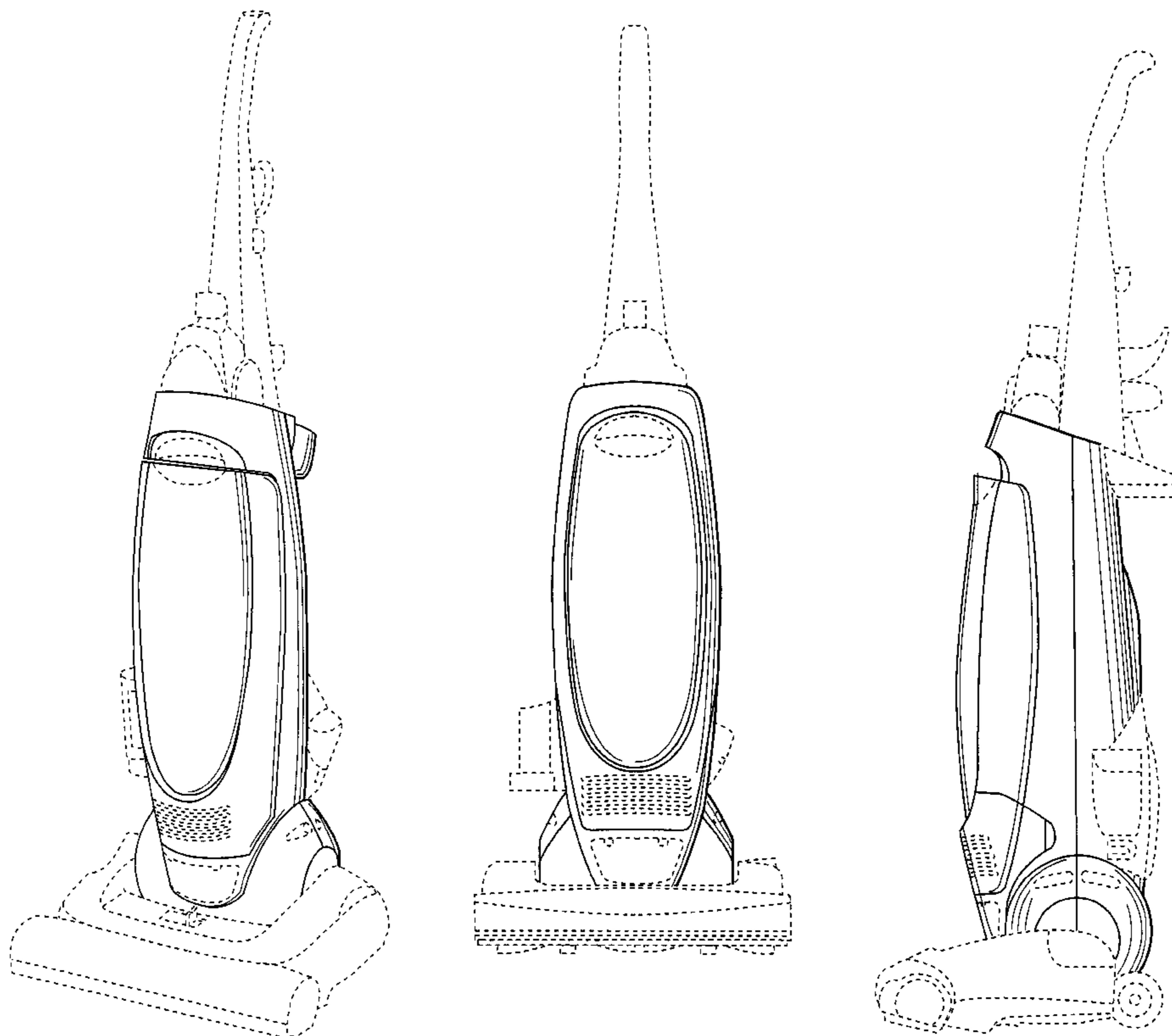
The ornamental design for a canister body for upright vacuum cleaner, as shown and described.

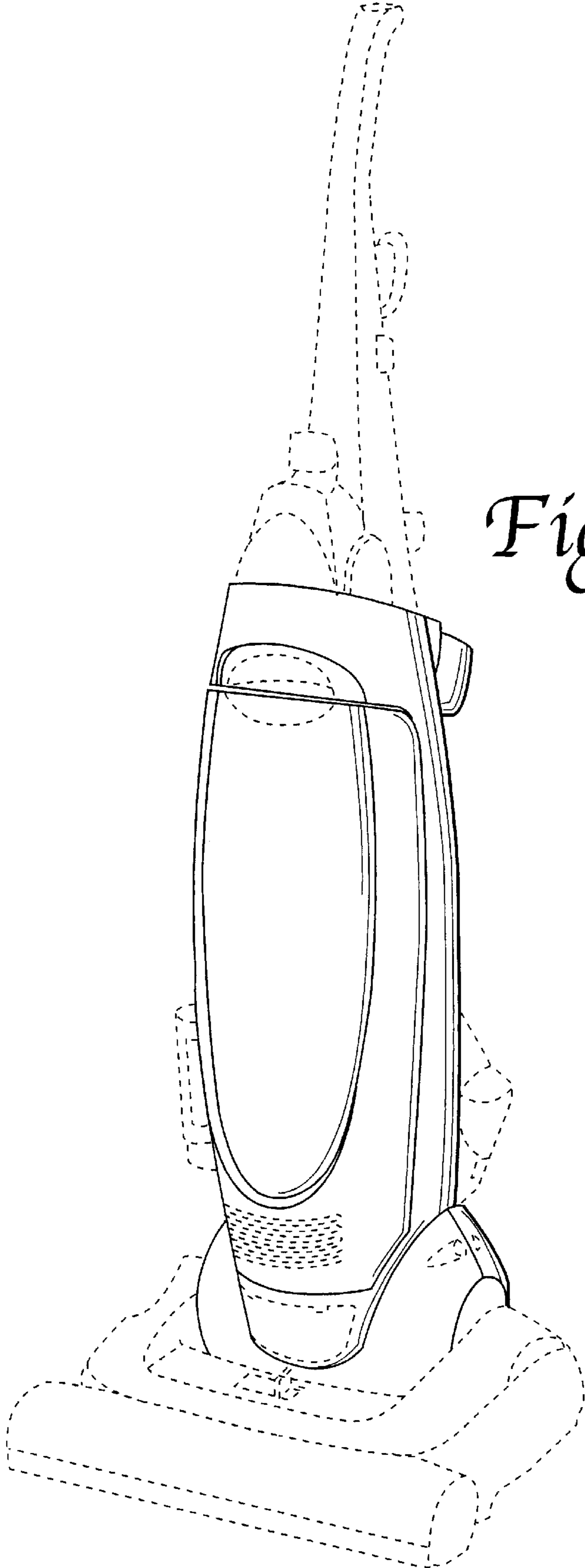
**DESCRIPTION**

FIG. 1 is a perspective view of a canister body for upright vacuum cleaner showing my new design; FIG. 2 is a front elevational view thereof; FIG. 3 is a right side elevational view thereof; FIG. 4 is a rear elevational view thereof; FIG. 5 is a left side elevational view thereof; and, FIG. 6 is a top plan view thereof.

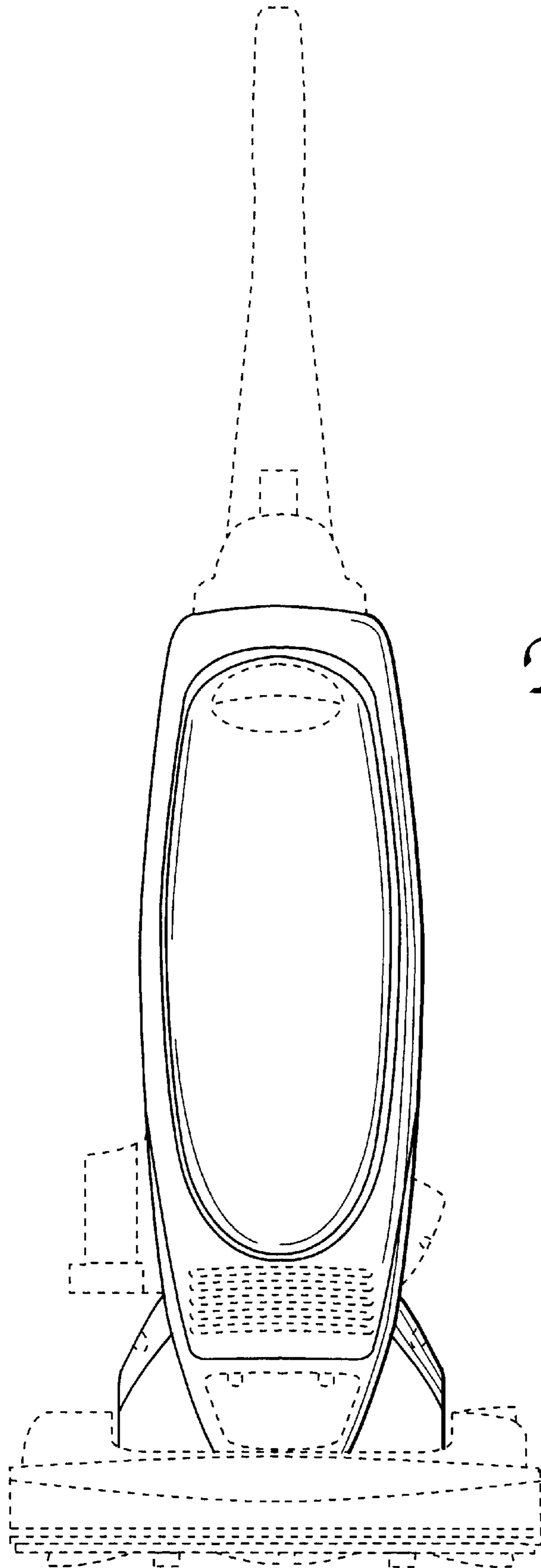
The broken lines in the Figures are for illustrative purposes only and form no part of the claimed design.

**1 Claim, 6 Drawing Sheets**



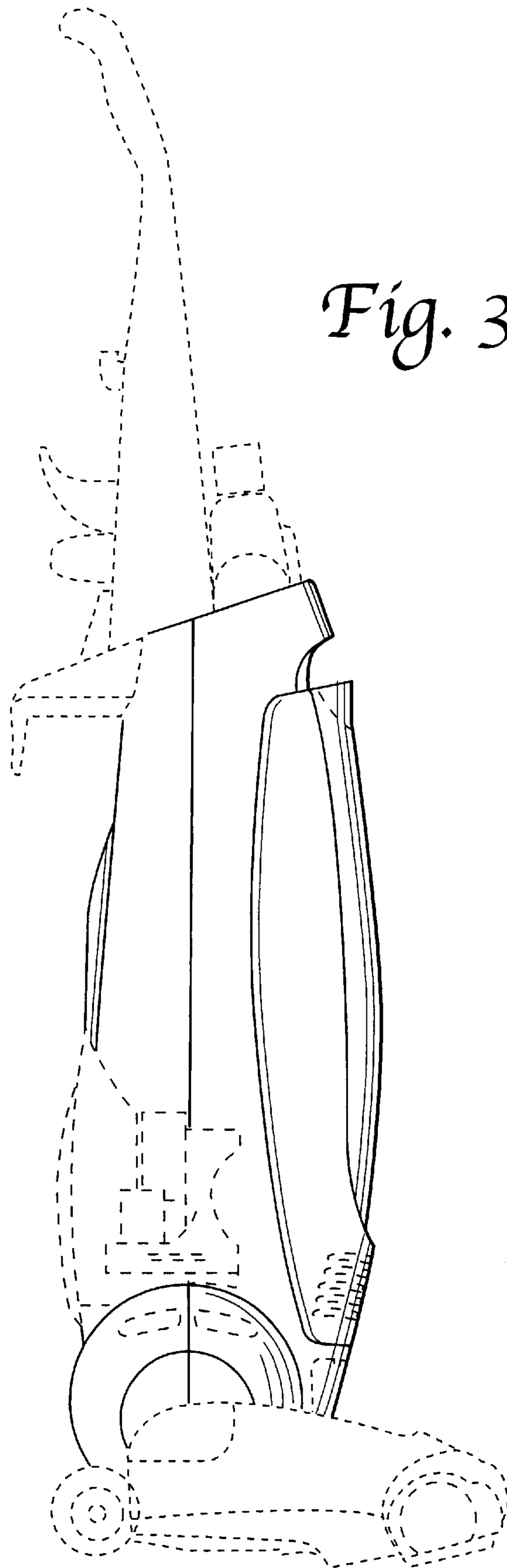


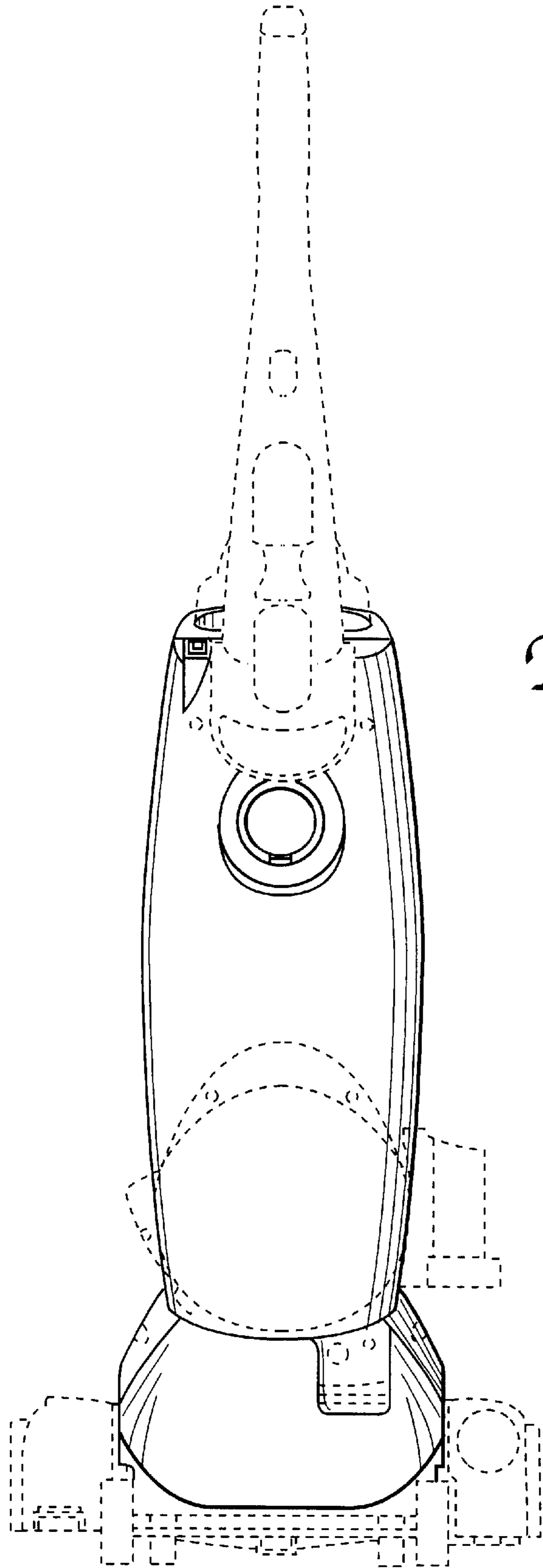
*Fig. 1*



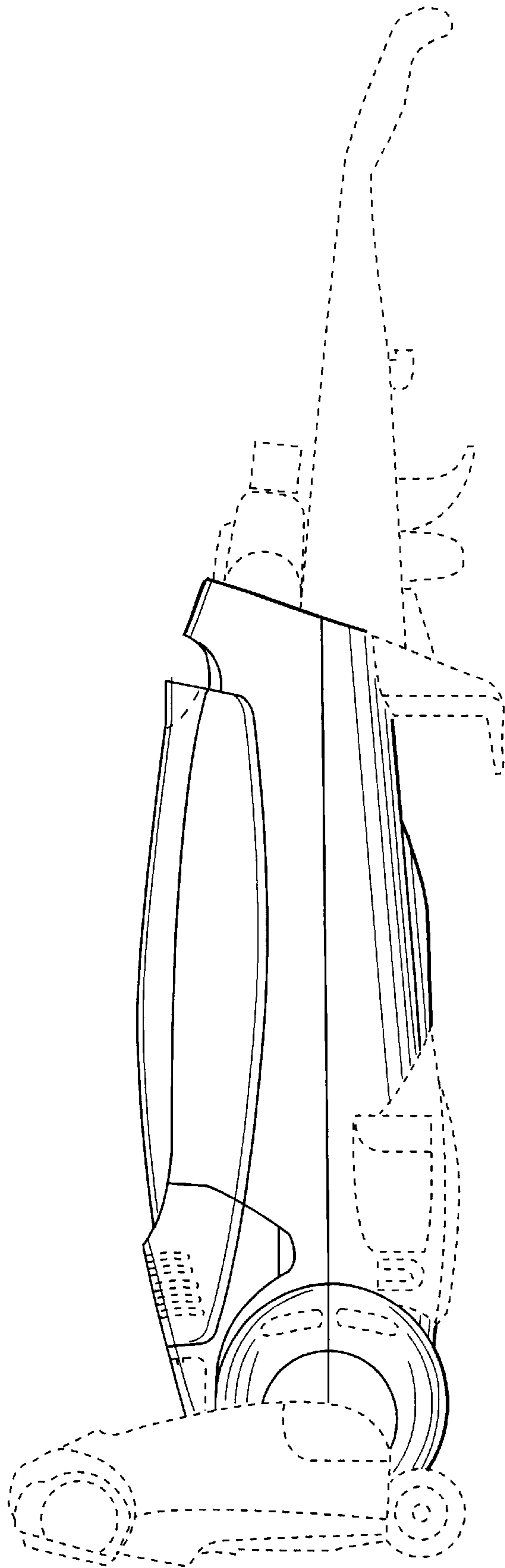
*Fig. 2*

*Fig. 3*





*Fig. 4*



*Fig. 5*

*Fig. 6*

