

US00D532167S

(12) **United States Design Patent**
Jung et al.

(10) **Patent No.:** **US D532,167 S**

(45) **Date of Patent:** **** Nov. 14, 2006**

(54) **DETERGENT MEASURING CUP FOR A WASHING MACHINE**

(75) Inventors: **Gil Su Jung**, Seoul (KR); **Young Il Kim**, Incheon (KR); **Yun Tae Jung**, Seoul (KR)

(73) Assignee: **LG Electronics Inc.**, Seoul (KR)

(**) Term: **14 Years**

(21) Appl. No.: **29/233,029**

(22) Filed: **Jun. 28, 2005**

(30) **Foreign Application Priority Data**

Dec. 29, 2004 (KR) 30-2004-0040602

(51) **LOC (8) Cl.** **15-05**

(52) **U.S. Cl.** **D32/25**

(58) **Field of Classification Search** 68/12.18, 68/13 R, 17 R, 207; D32/6, 1, 3, 25, 29.1, D32/35; 134/58 D

See application file for complete search history.

(56) **References Cited**

U.S. PATENT DOCUMENTS

D306,224 S * 2/1990 Nystuen D32/3
5,579,656 A * 12/1996 Shin 68/17 R
6,773,668 B1 * 8/2004 Everson et al. 422/28

6,826,933 B1 * 12/2004 Merkle et al. 68/17 R
2003/0145633 A1 * 8/2003 Merkle et al. 68/17 R
2004/0159128 A1 * 8/2004 Kim et al. 68/17 R
2005/0028564 A1 * 2/2005 Lee et al. 68/24
2005/0235703 A1 * 10/2005 Cho et al. 68/17 R
2005/0274156 A1 * 12/2005 Yang 68/17 R

* cited by examiner

Primary Examiner—Louis S. Zarfaz

Assistant Examiner—Kathleen Sims

(74) *Attorney, Agent, or Firm*—Birch, Stewart, Kolasch & Birch, LLP

(57) **CLAIM**

The ornamental design for a detergent measuring cup for a washing machine, as shown and described.

DESCRIPTION

FIG. 1 is a front, left perspective view of the detergent measuring cup for a washing machine showing our new design;

FIG. 2 is a front view thereof;

FIG. 3 is a rear view thereof;

FIG. 4 is a left side view thereof, the right side view being a mirror image thereof;

FIG. 5 is a top view thereof; and,

FIG. 6 is a bottom view thereof.

1 Claim, 3 Drawing Sheets

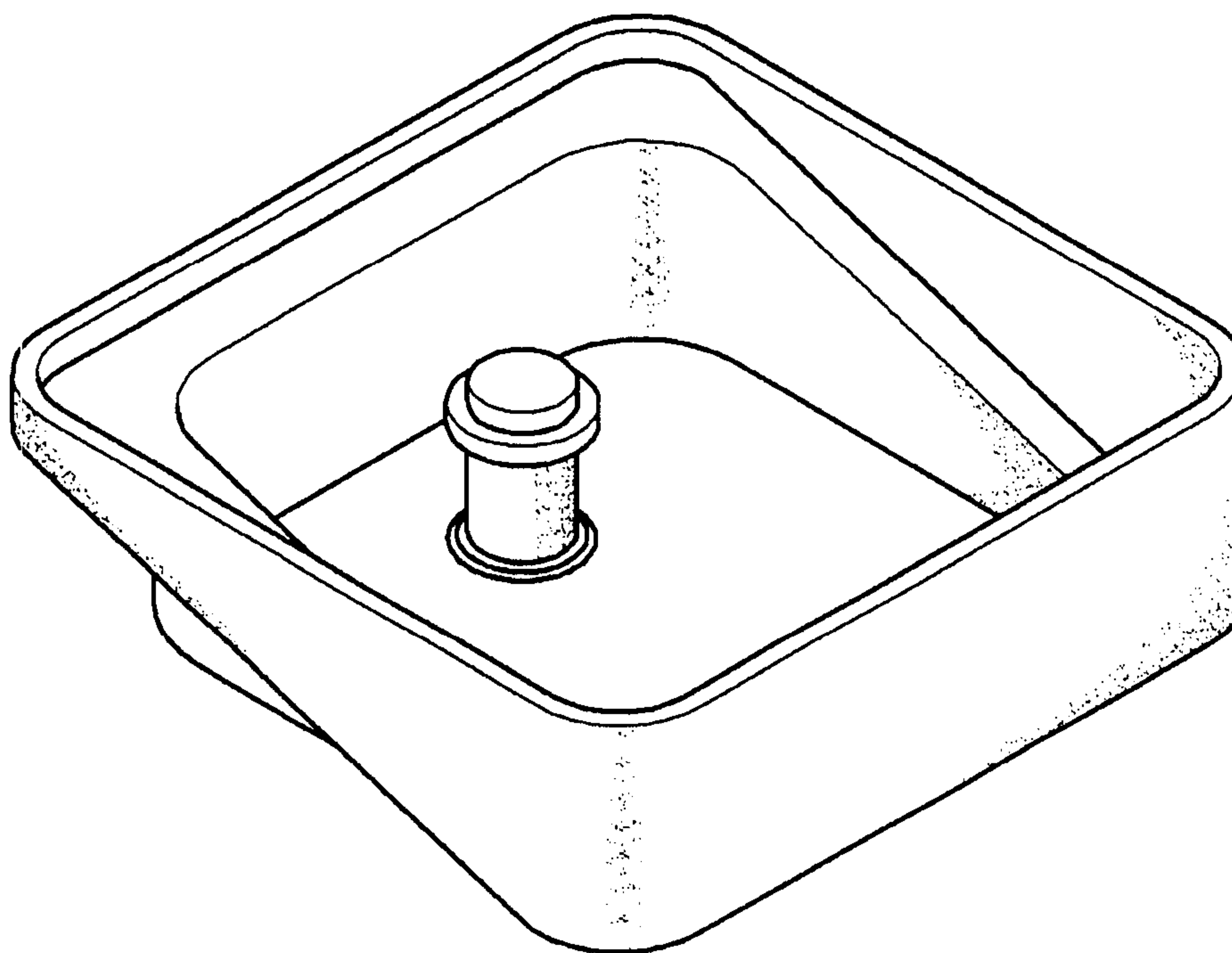


Fig. 1

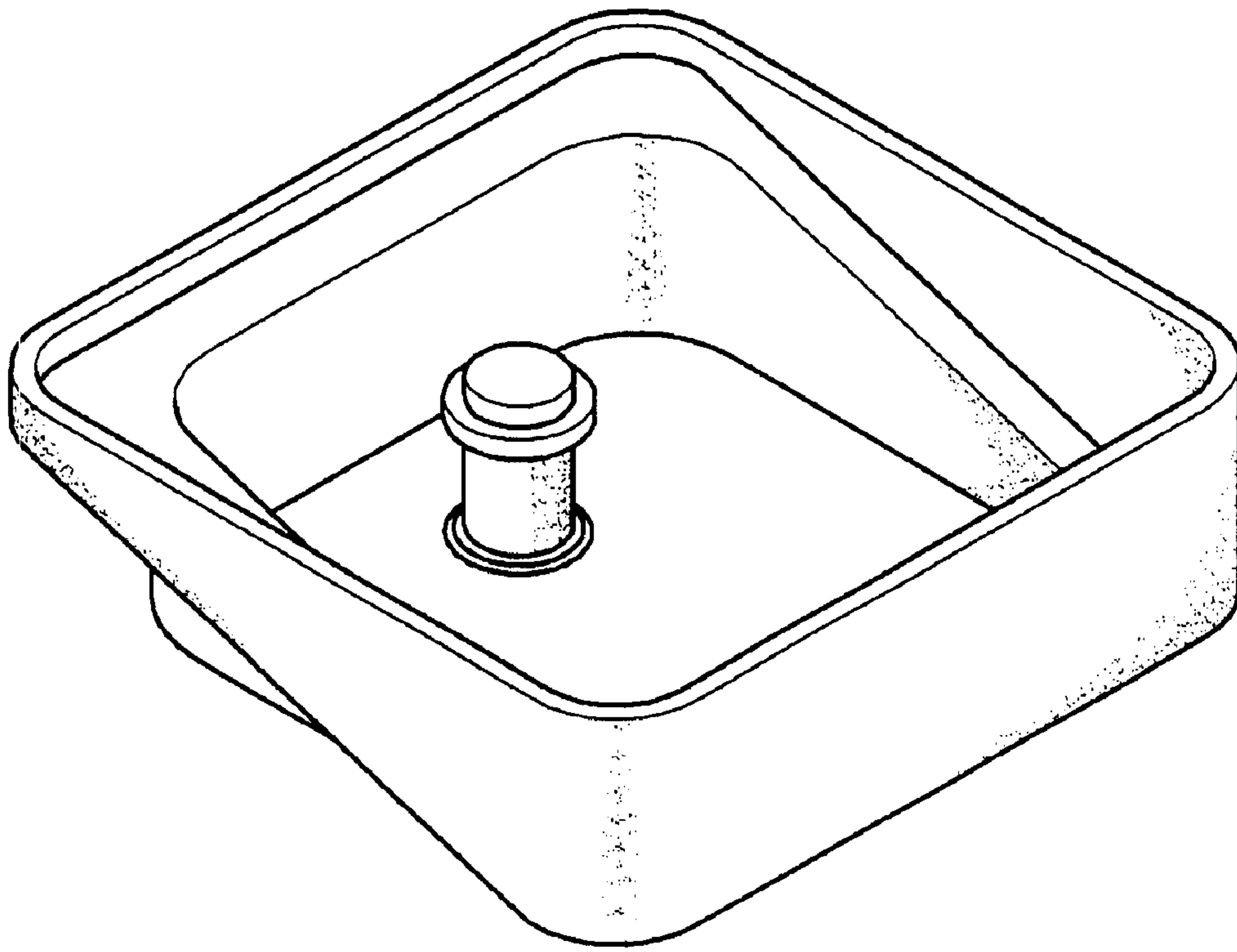


Fig. 2

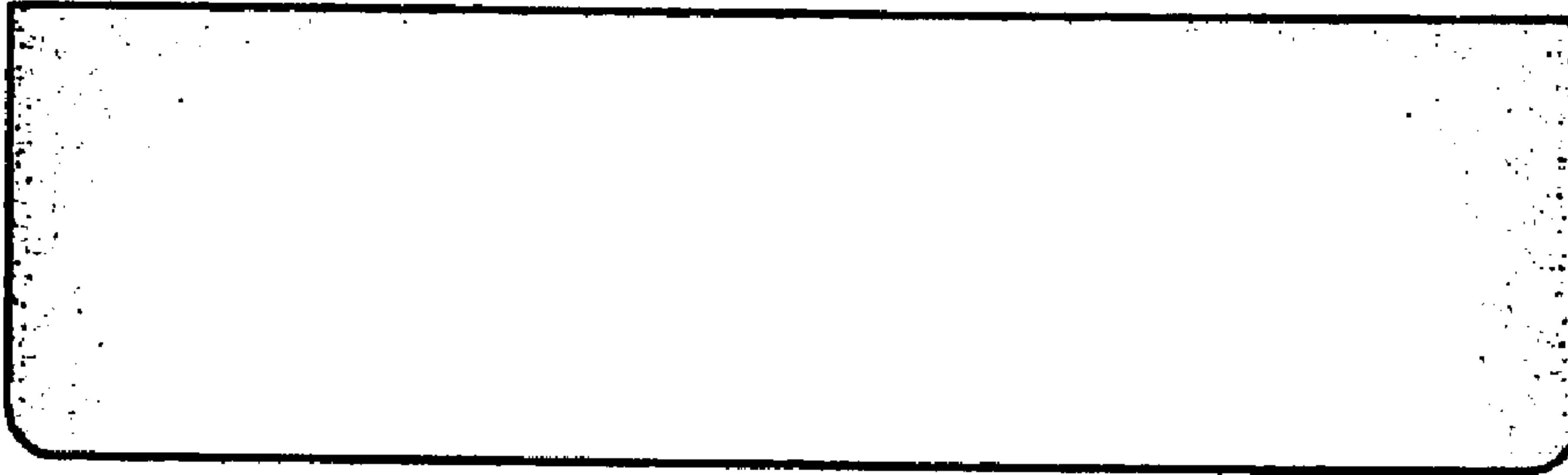


Fig. 3

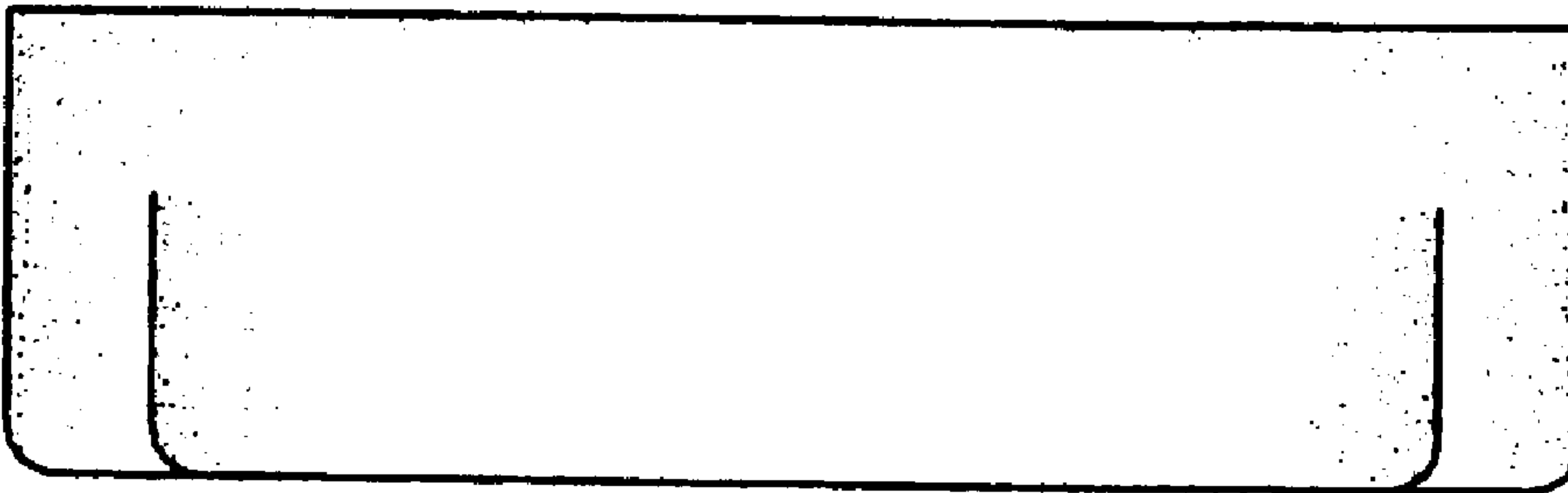


Fig. 4

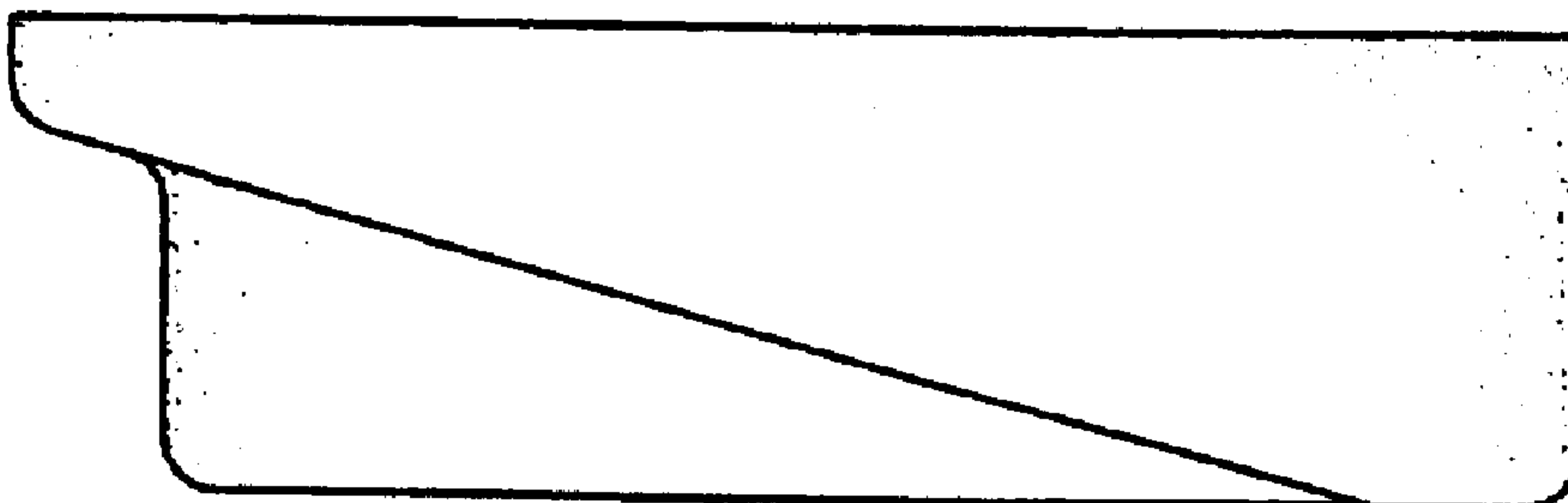


Fig. 5

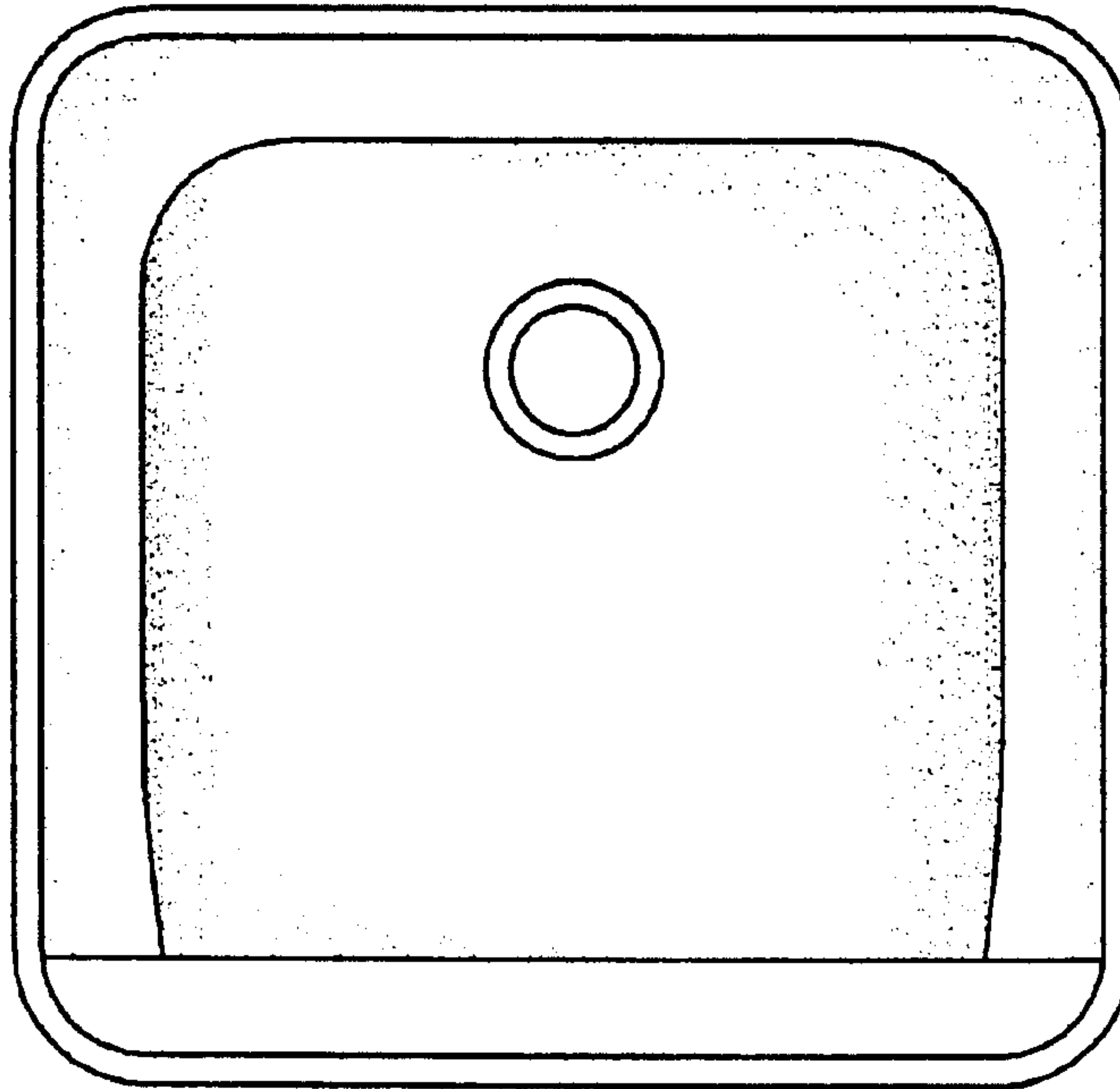


Fig. 6

