



US00D532166S

(12) **United States Design Patent**
Reverberi

(10) **Patent No.:** **US D532,166 S**

(45) **Date of Patent:** **** Nov. 14, 2006**

(54) **HIGH-PRESSURE CLEANER**

(75) Inventor: **Stefano Reverberi**, Modena (IT)

(73) Assignee: **Annovi Reverberi S.p.A.**, Modena (IT)

(**) Term: **14 Years**

(21) Appl. No.: **29/221,514**

(22) Filed: **Jan. 19, 2005**

(51) **LOC (8) Cl.** **15-05**

(52) **U.S. Cl.** **D32/4**

(58) **Field of Classification Search** D32/1,
D32/15, 16, 21, 22, 25, 31; 15/347, 320,
15/321, 3, 323, 352, 403; 134/200; 239/146-9;
D15/7; D34/24, 27, 25, 26
See application file for complete search history.

(56) **References Cited**

U.S. PATENT DOCUMENTS

D381,779 S	*	7/1997	Pritchett et al.	D32/21
D481,838 S	*	11/2003	Renner	D32/15
D488,596 S	*	4/2004	Cattaneo	D32/15
D489,498 S	*	5/2004	Cattaneo	D32/15
D490,196 S	*	5/2004	Lanfredi	D32/15
D490,948 S	*	6/2004	Cattaneo	D32/15
D496,503 S	*	9/2004	Chen	D32/16
D496,763 S	*	9/2004	Chen	D32/16

2005/0189437 A1 * 9/2005 Alexander et al. 239/332

* cited by examiner

Primary Examiner—Louis S. Zarfes

Assistant Examiner—Kathleen Sims

(74) *Attorney, Agent, or Firm*—Browdy and Neimark, PLLC

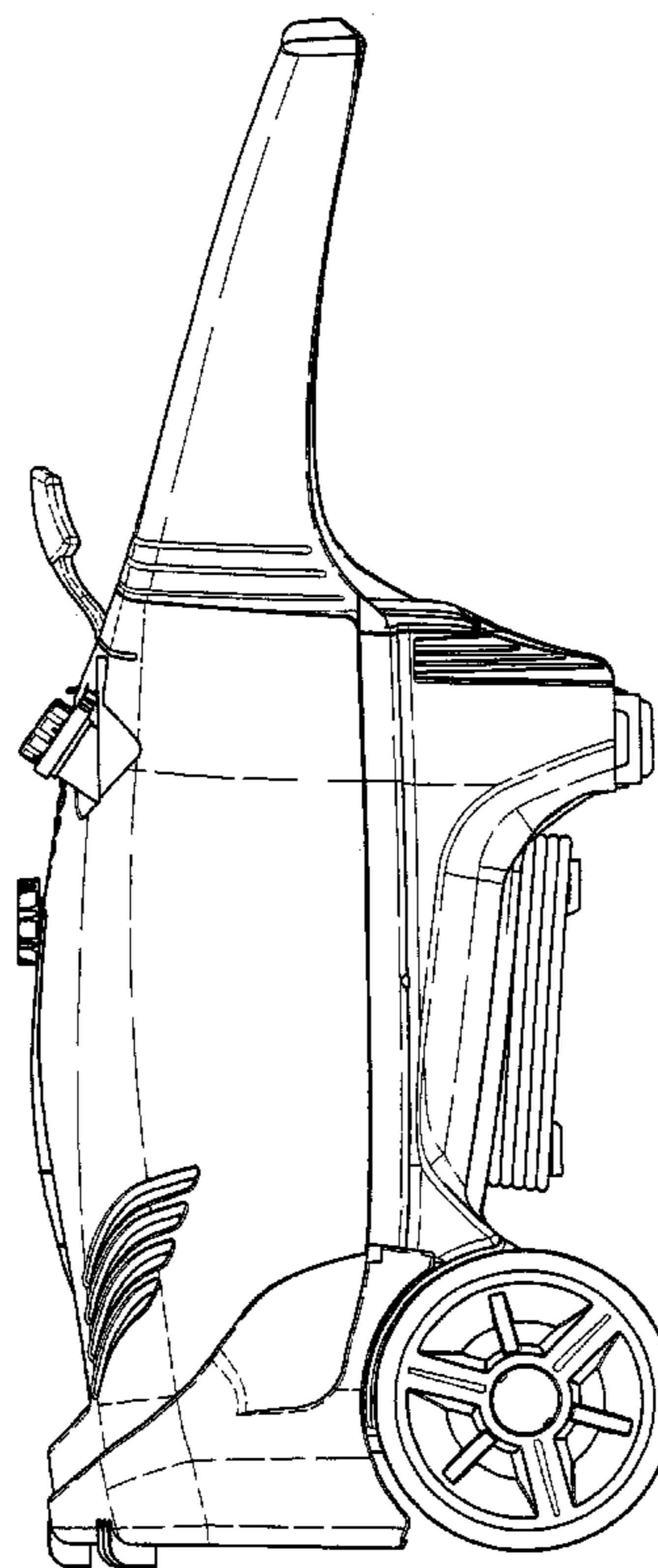
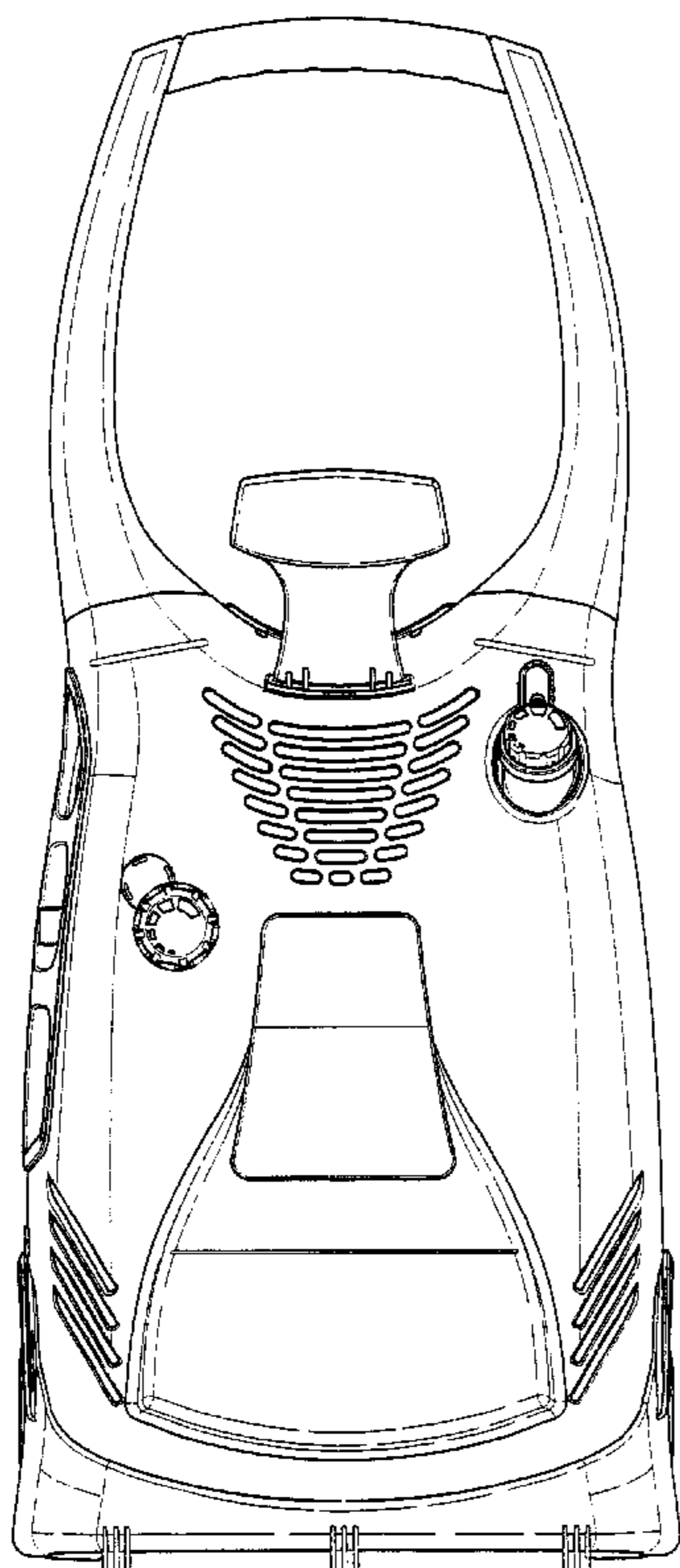
(57) **CLAIM**

The ornamental design for “high-pressure cleaner,” as shown and described.

DESCRIPTION

FIG. 1 is a front view of a first embodiment; FIG. 2 is a view of the left side of the first embodiment; FIG. 3 is a view of the right side of the first embodiment; FIG. 4 is a rear view of the first embodiment; FIG. 5 is an upper plan view of the first embodiment; FIG. 6 is a bottom plan view of the first embodiment; FIG. 7 is a front view of a second embodiment; FIG. 8 is a view of the left side of the second embodiment; FIG. 9 is a view of the right side of the second embodiment; FIG. 10 is a rear view of the second embodiment; FIG. 11 is an upper plan view of the second embodiment; and, FIG. 12 is a bottom plan view of the second embodiment. The portions encompassed inside boundary broken line in FIGS. 4, 6, 10, and 12 do not form part of the claimed design.

1 Claim, 10 Drawing Sheets



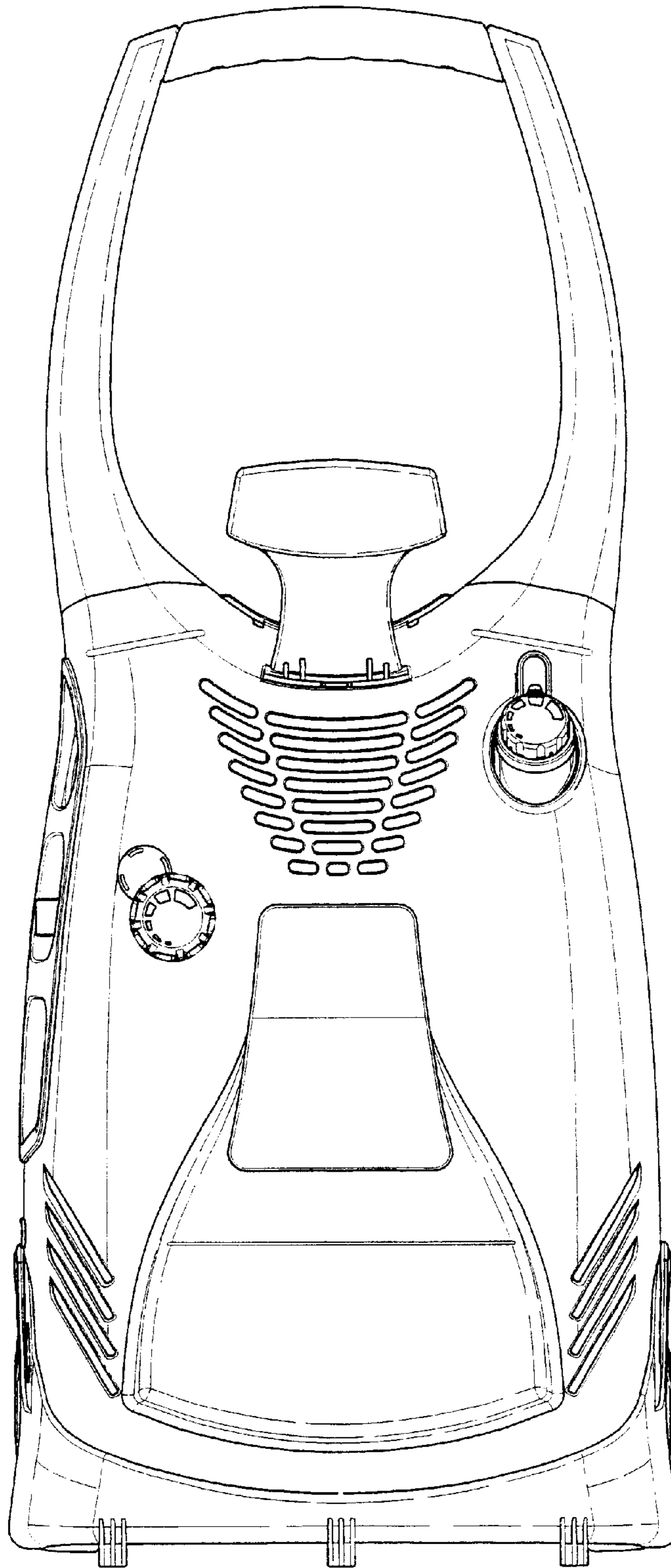


FIG. 1

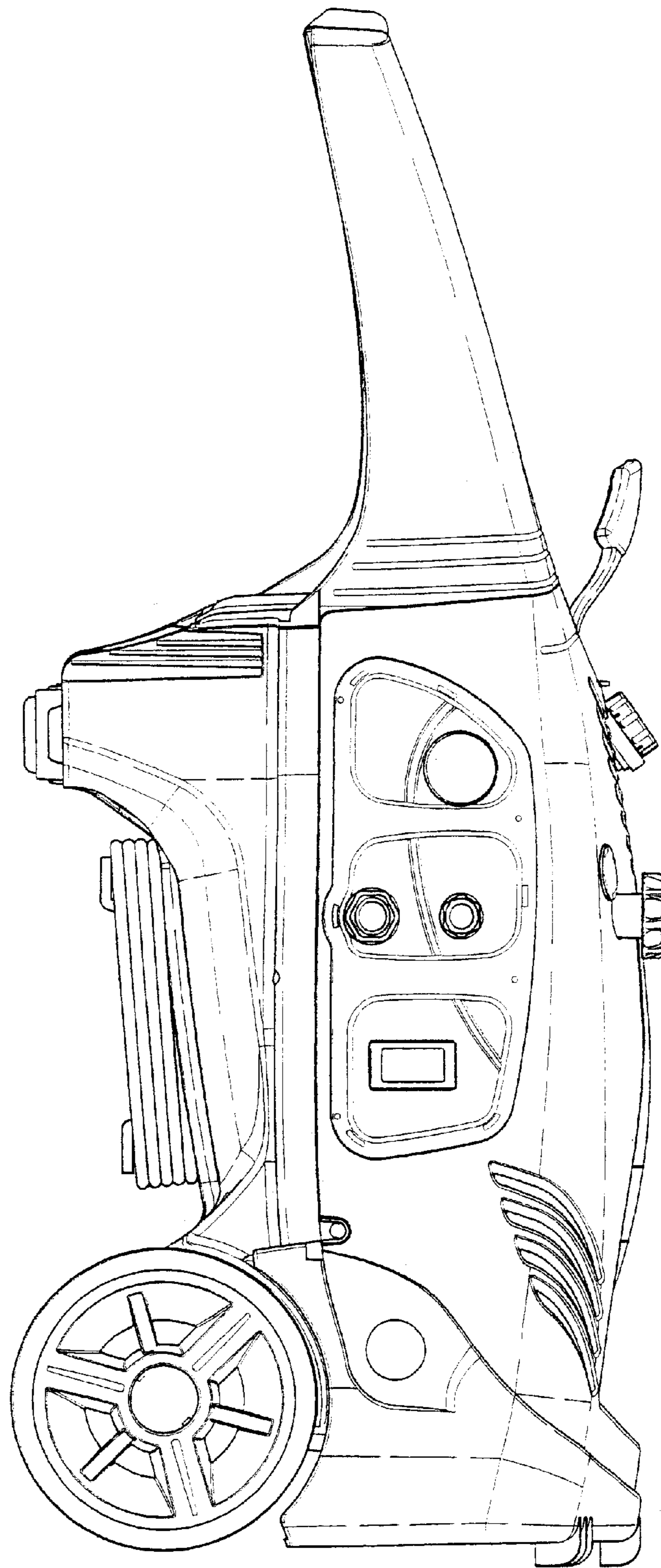


FIG. 2

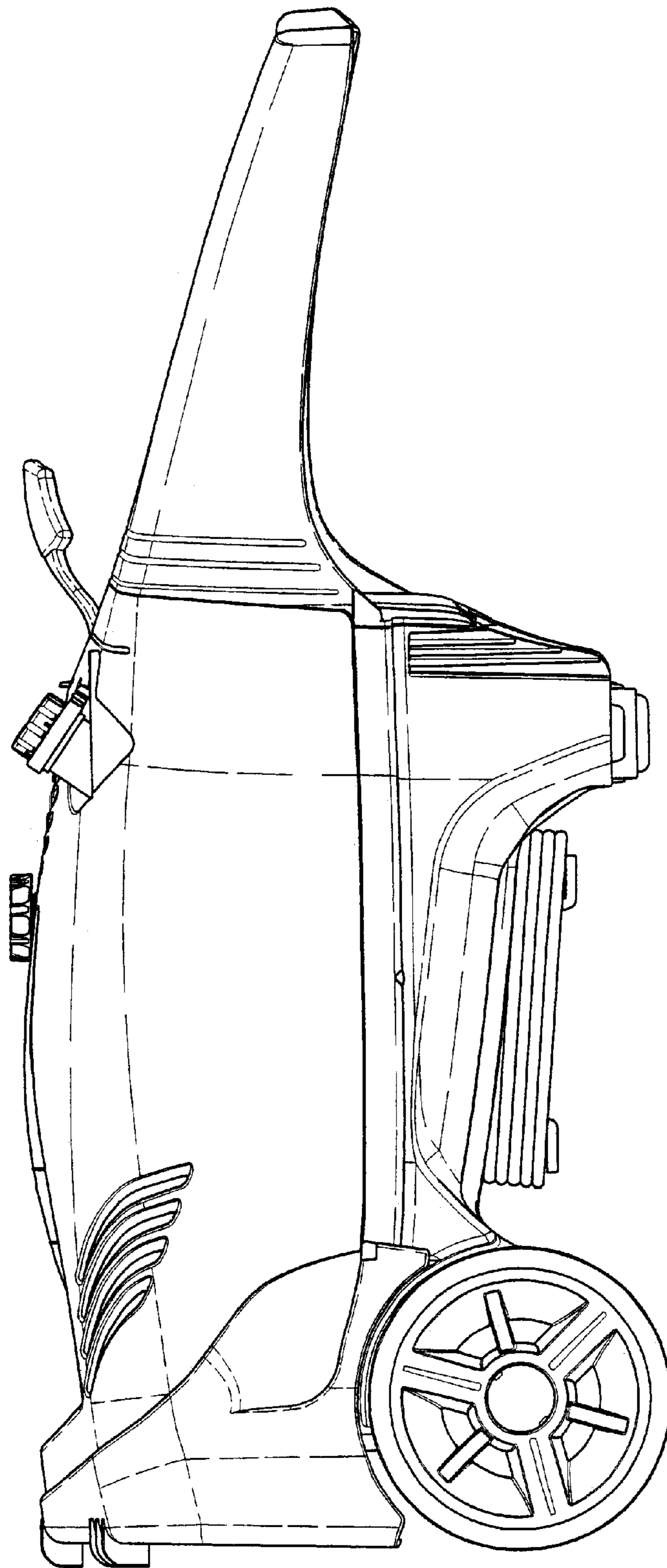


FIG. 3

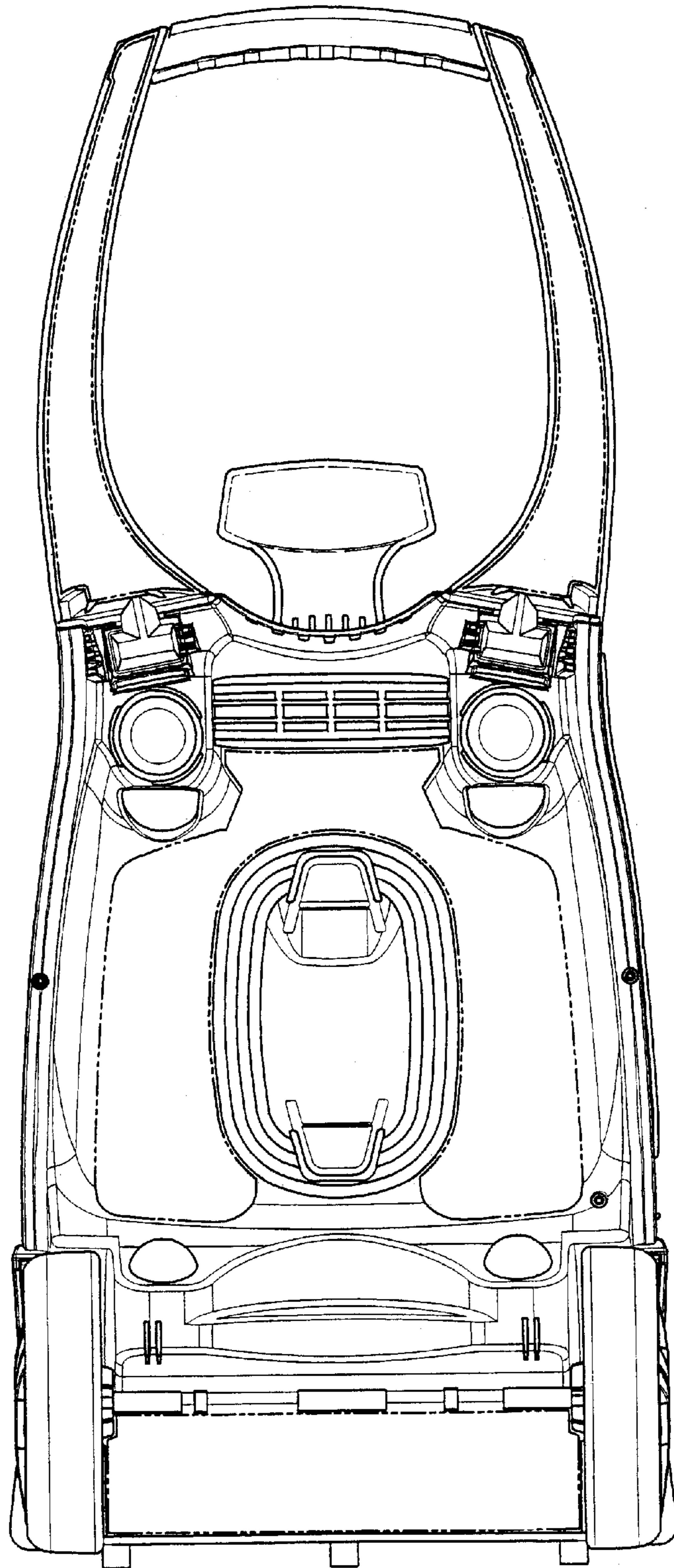


FIG. 4

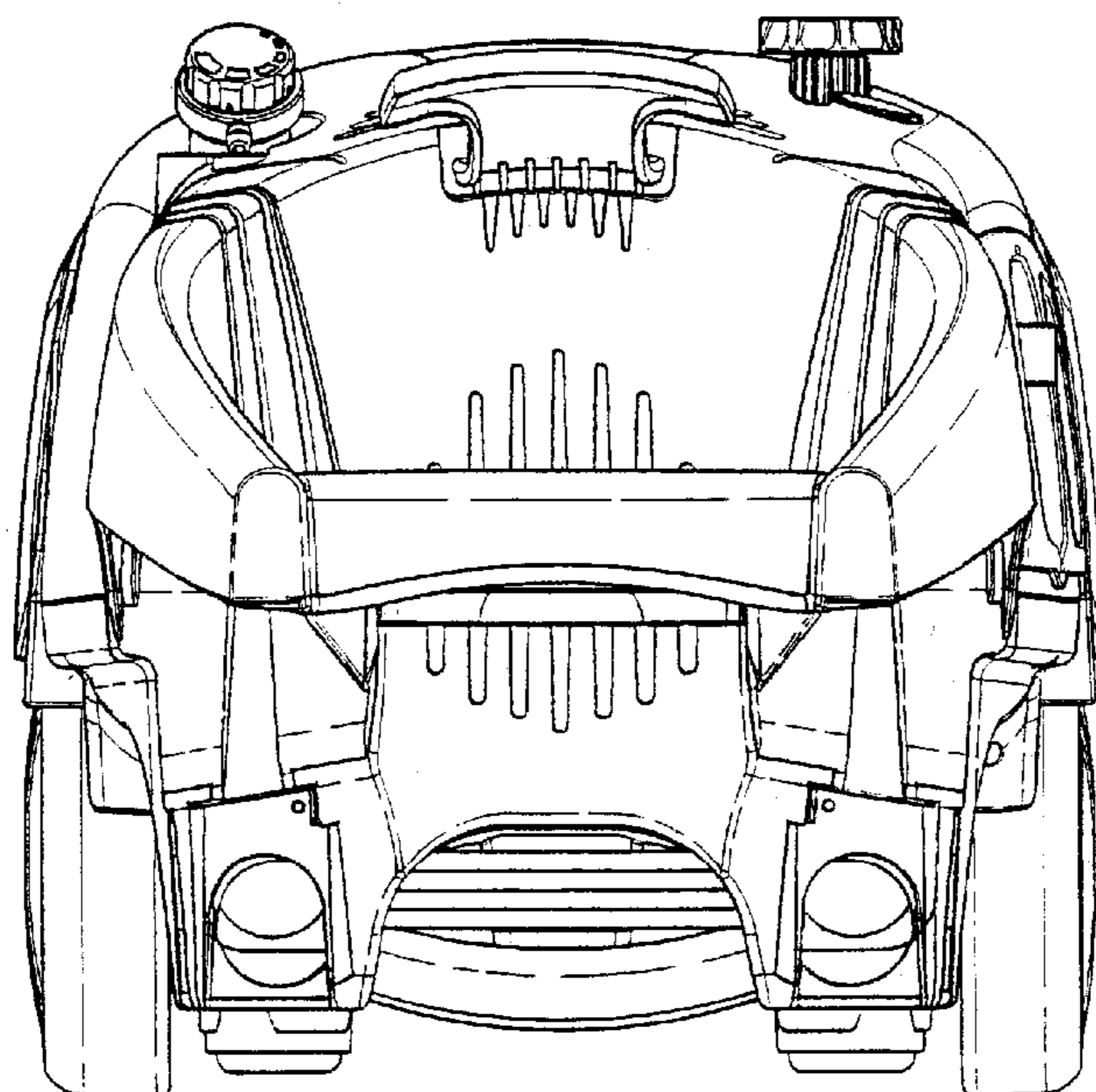


FIG. 5

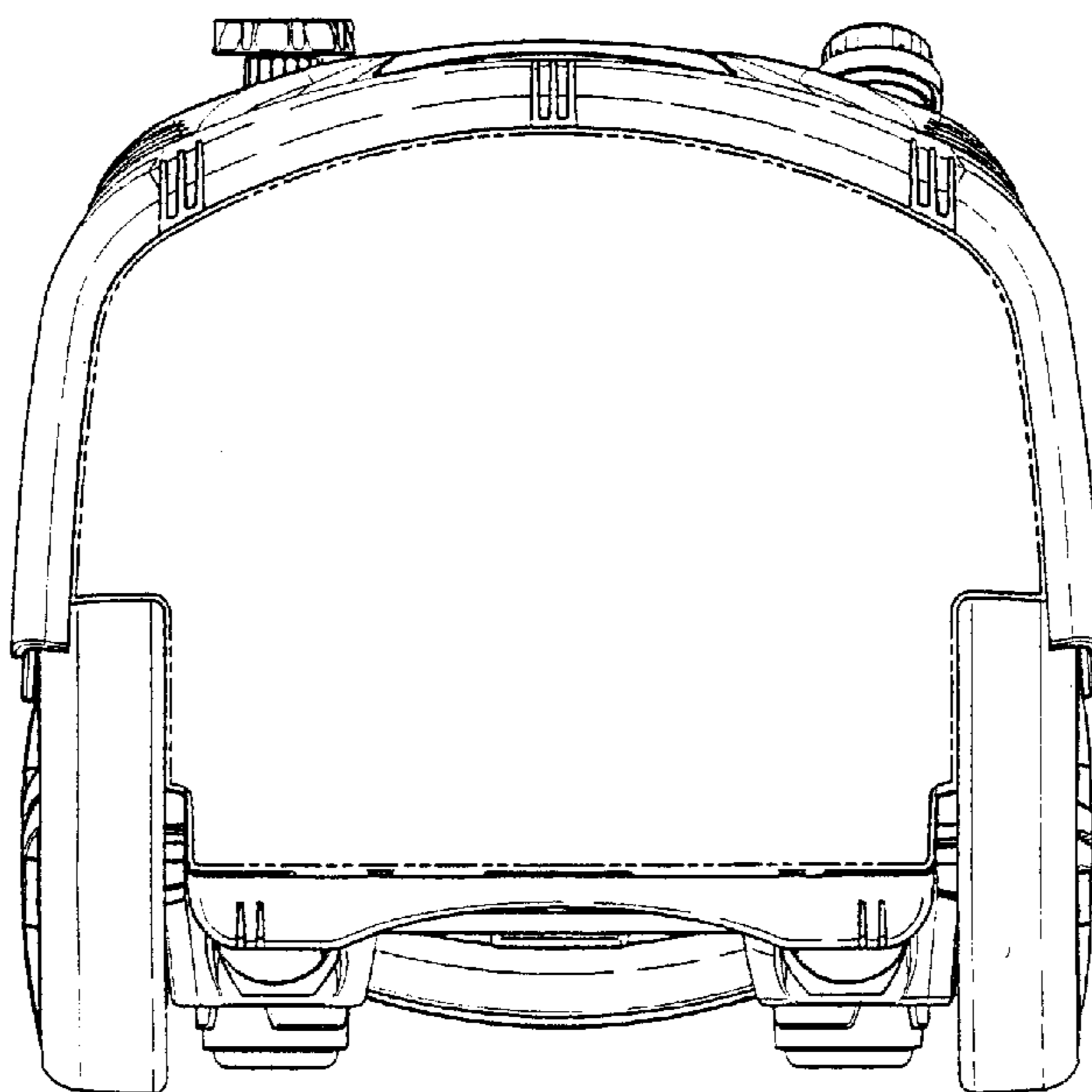


FIG. 6

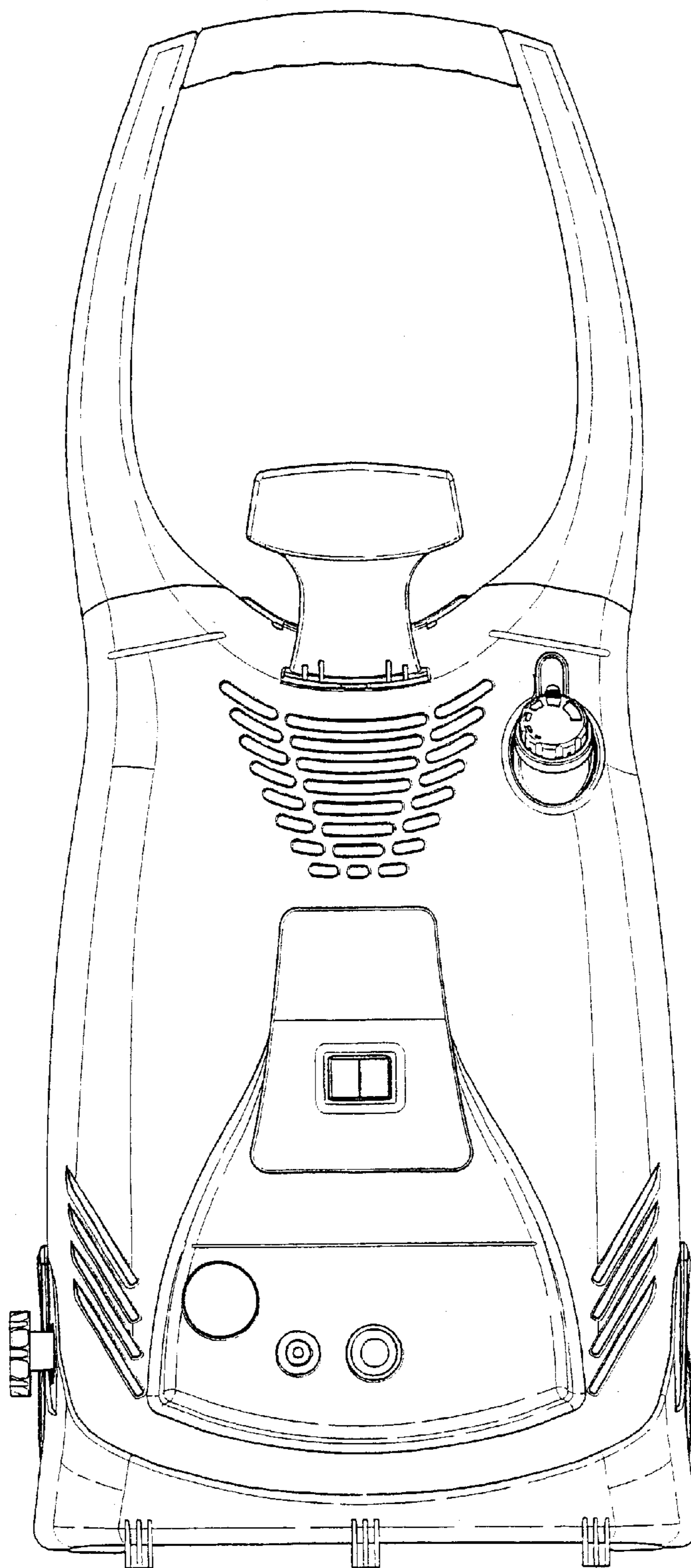


FIG. 7

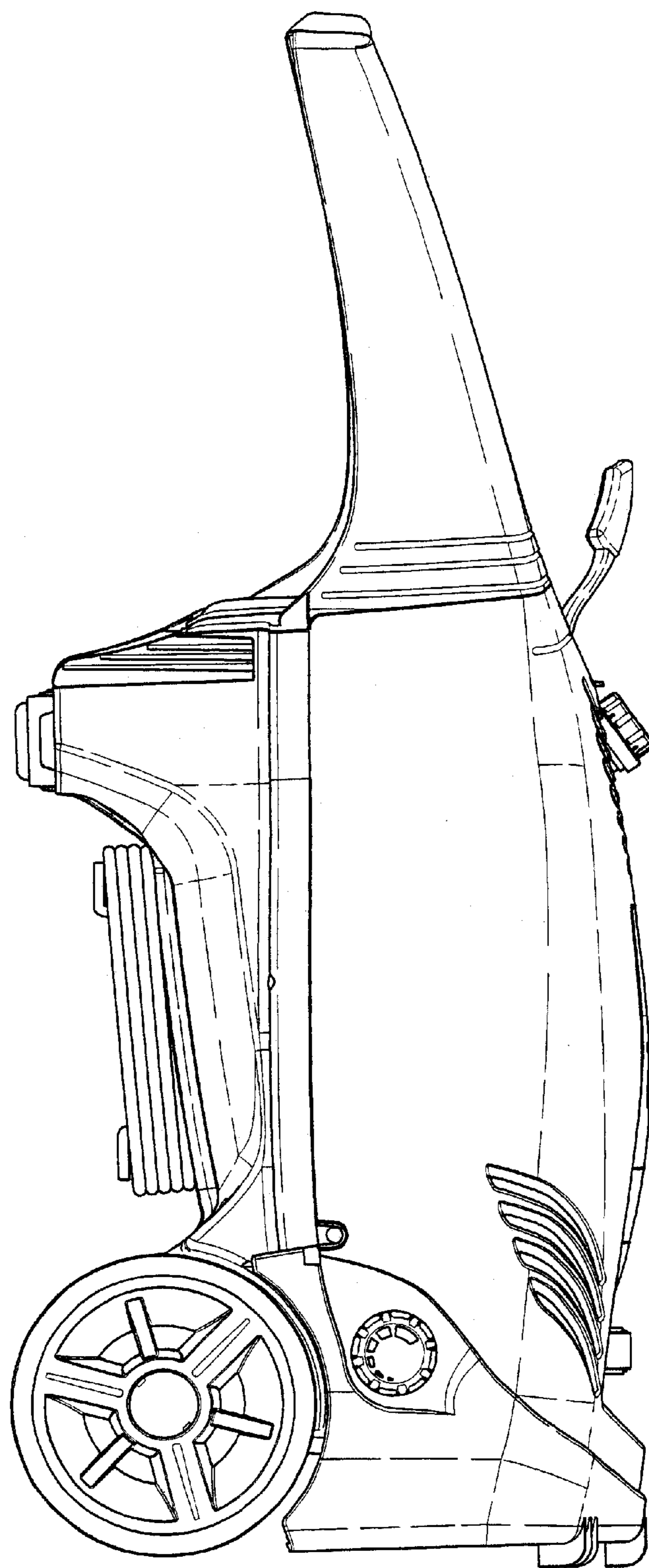


FIG. 8

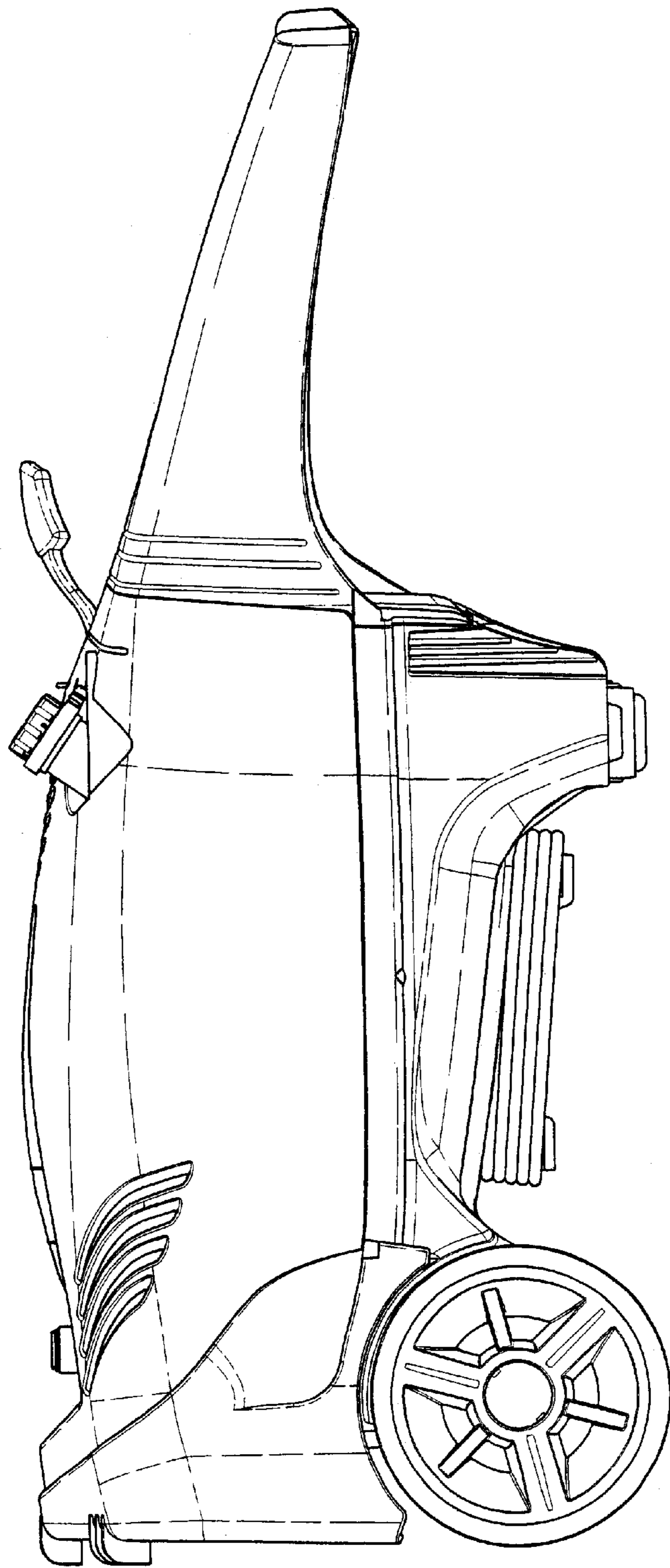


FIG. 9

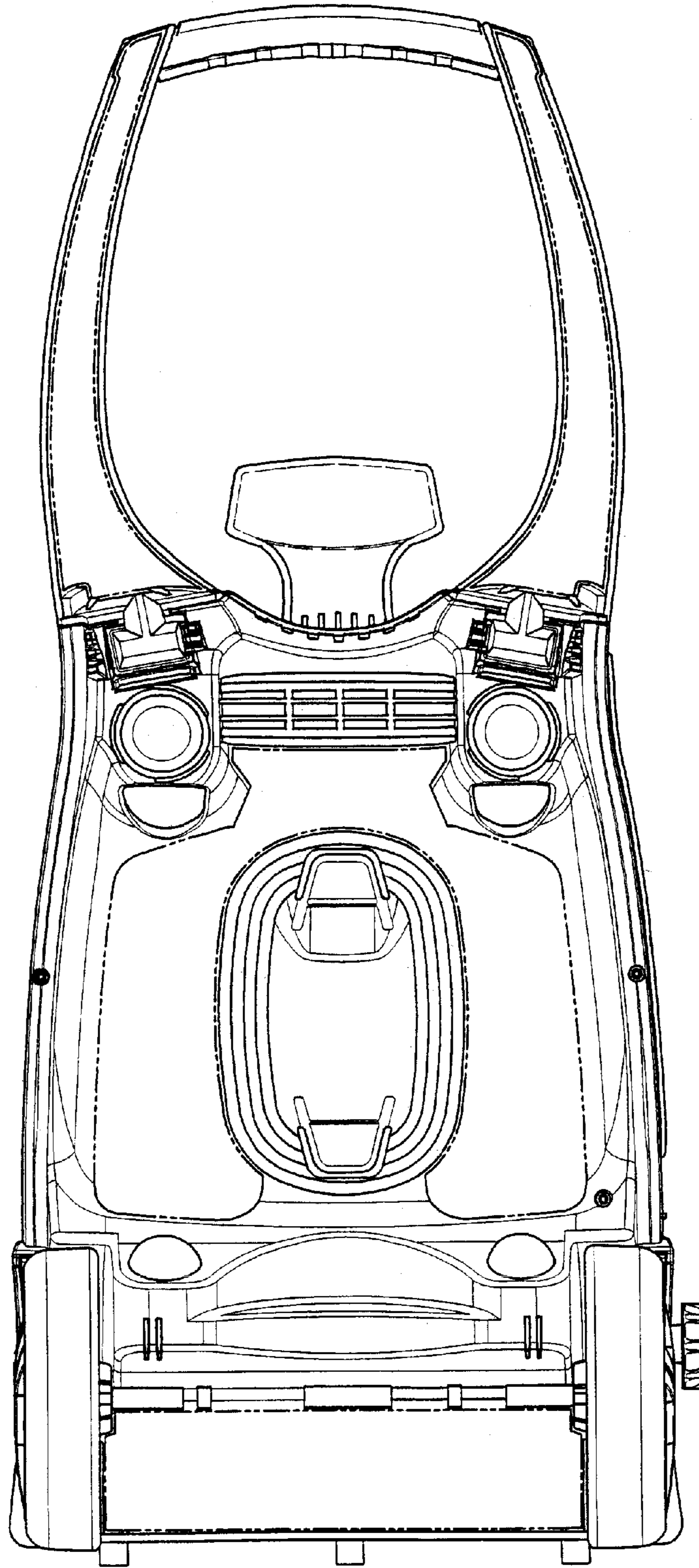


FIG. 10

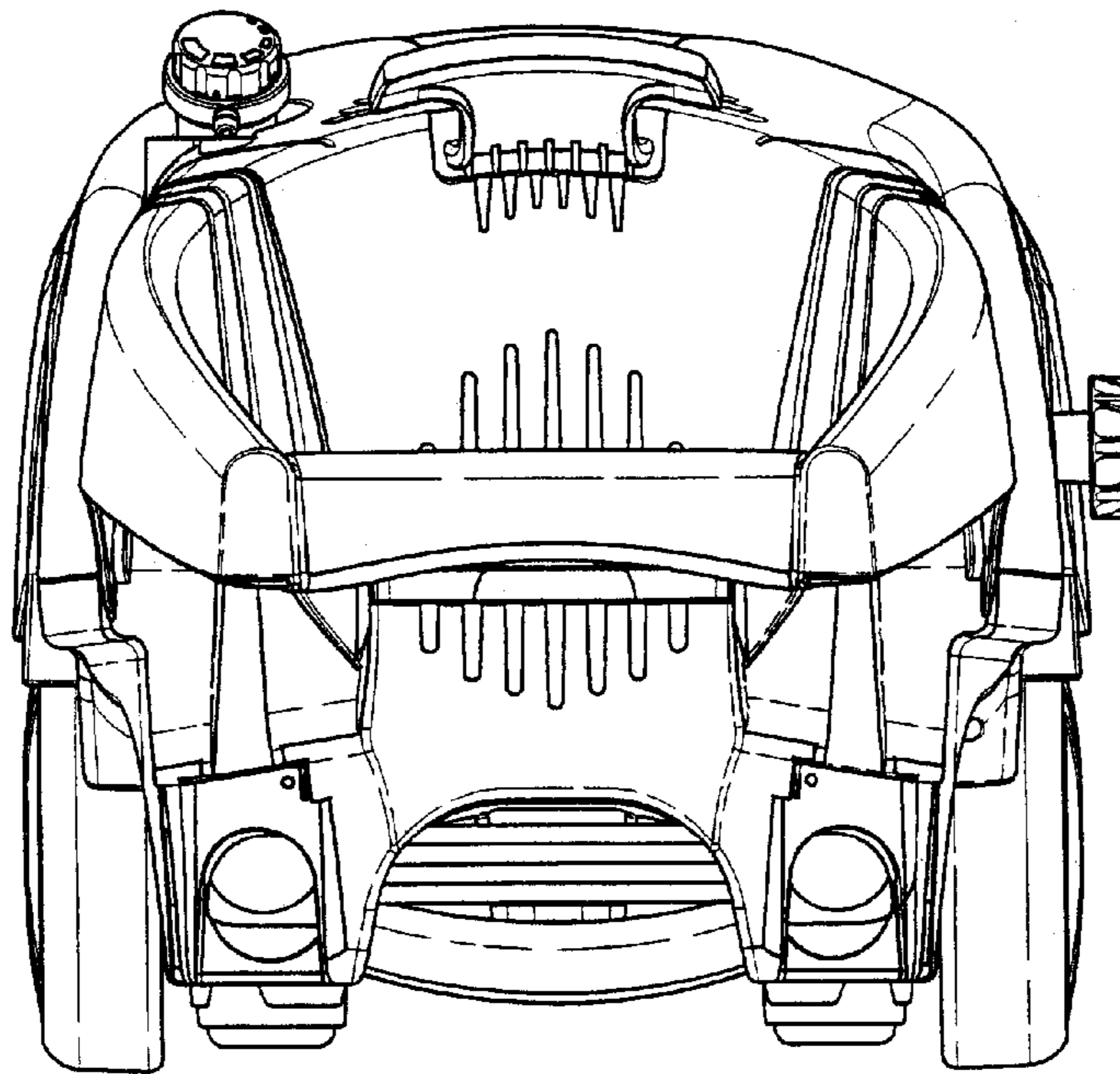


FIG. 11

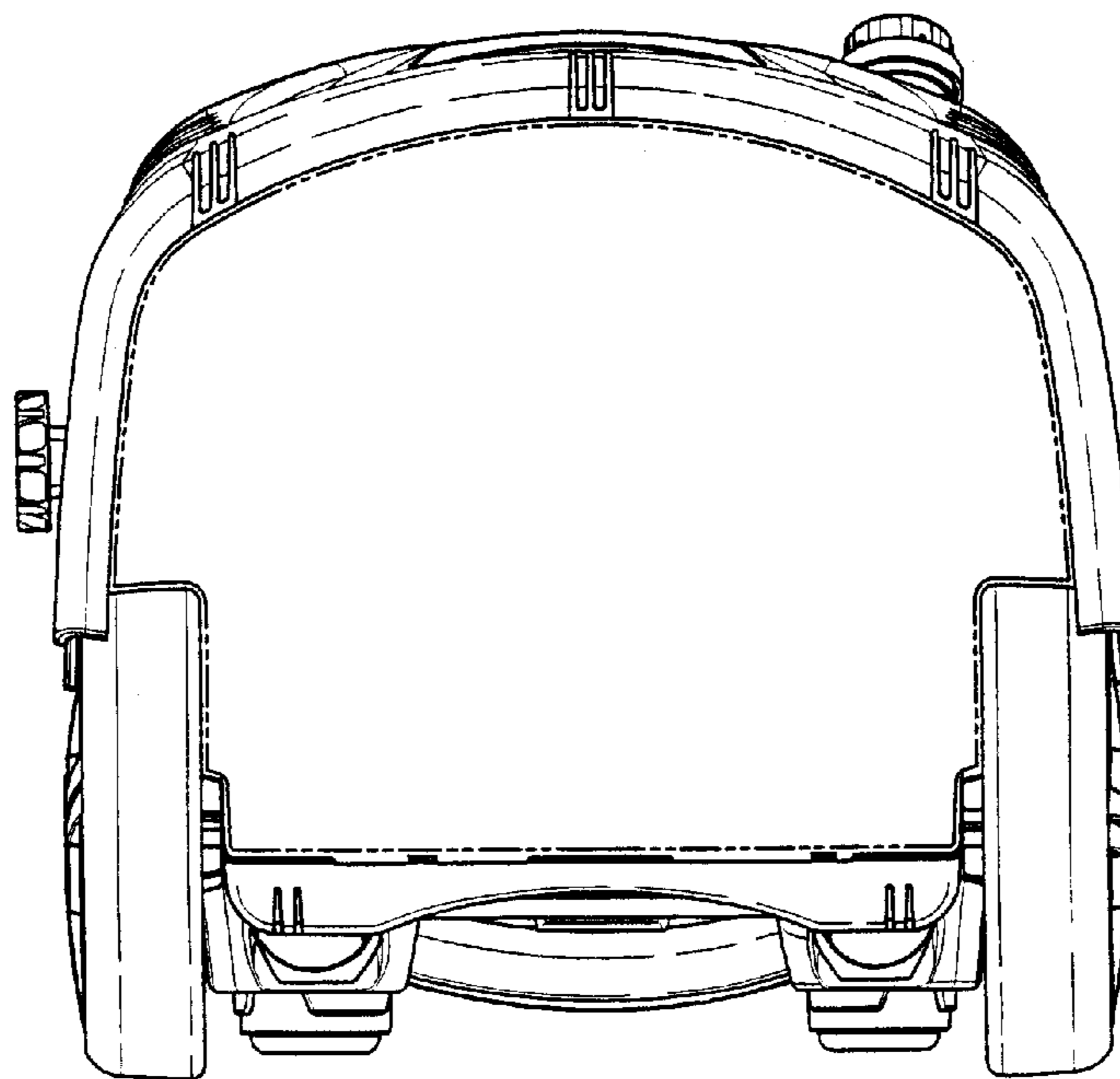


FIG. 12