



US00D532165S

(12) **United States Design Patent**
Crippen

(10) **Patent No.:** **US D532,165 S**

(45) **Date of Patent:** **** Nov. 14, 2006**

(54) **GOLF BALL AND CLUB CLEANER**

D508,724 S * 8/2005 Rimer, Jr. D21/789

(76) Inventor: **Brent Crippen**, 1677 SW. Sea Holly Way, Palm City, FL (US) 34990

* cited by examiner

(**) Term: **14 Years**

Primary Examiner—Louis S. Zarfes

Assistant Examiner—Kathleen Sims

(21) Appl. No.: **29/240,505**

(74) *Attorney, Agent, or Firm*—Kevin Redmond

(22) Filed: **Oct. 13, 2005**

(57) **CLAIM**

(51) **LOC (8) Cl.** **15-05**

Having described my invention, I claim the ornamental design for a golf ball and club cleaner, as shown and described.

(52) **U.S. Cl.** **D32/1**

(58) **Field of Classification Search** D32/1,
D32/35; D21/789, 795, 796; 15/21.1, 21.2,
15/88.1, 88.3, 97.1, 160, 104.92; D4/116,
D4/121, 130, 137

DESCRIPTION

See application file for complete search history.

FIG. 1 is a perspective view showing the front top cover and left side of the invention.

FIG. 2 is a perspective view showing the front, right side, raised top cover and inside top of the invention.

FIG. 3 is a front view of the invention.

FIG. 4 is a right side view of the invention showing the hand crank.

FIG. 5 is a left side view.

FIG. 6 is a rear view of the invention; and,

FIG. 7 is a top plan view of the invention.

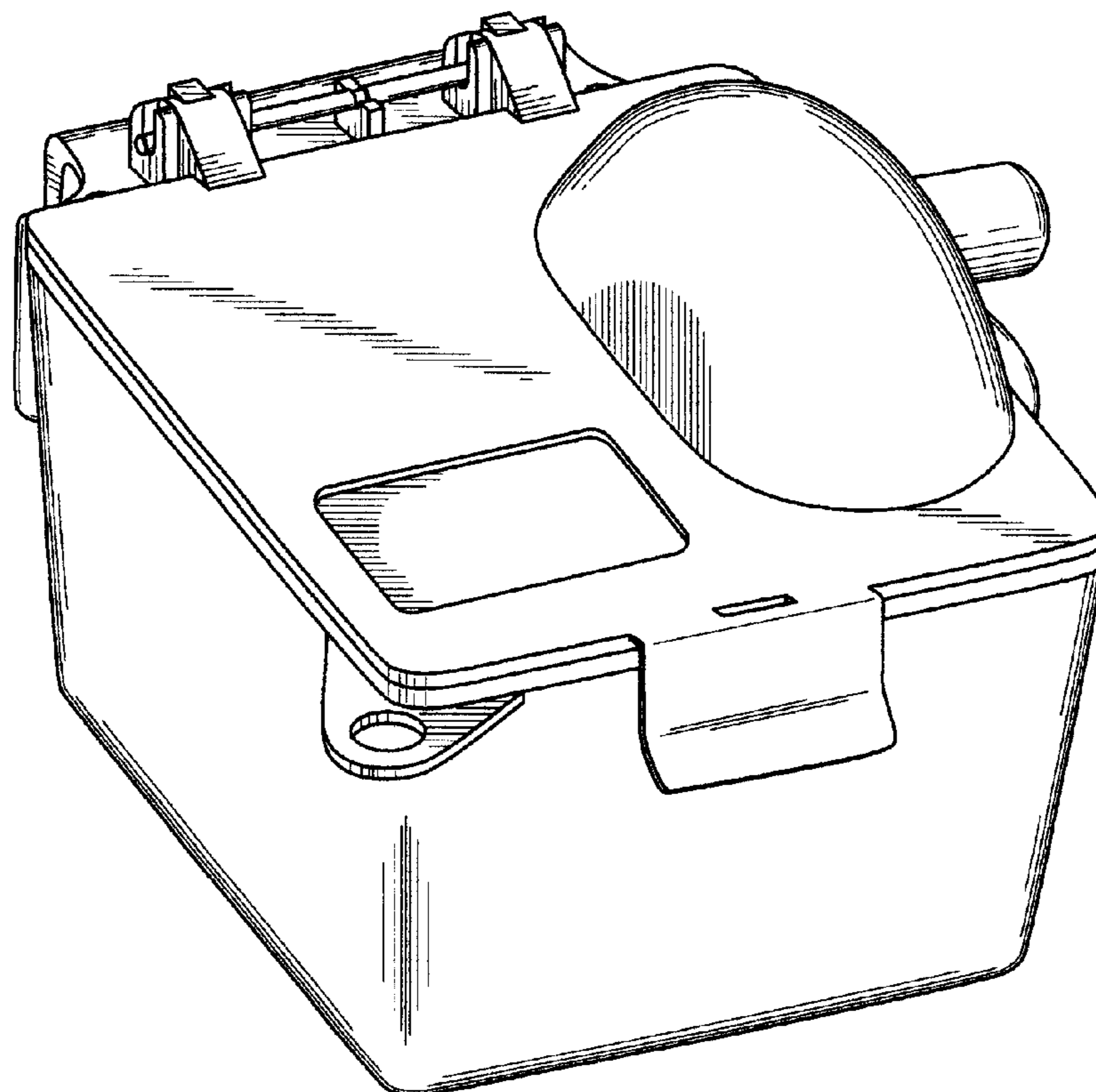
The bottom view is not shown as it is flat with no special details.

(56) **References Cited**

U.S. PATENT DOCUMENTS

D216,832 S	*	3/1970	Juarez et al.	D21/795
D228,395 S	*	9/1973	Warren et al.	D21/795
D237,005 S	*	9/1975	Akel	D32/1
4,958,396 A	*	9/1990	Butler et al.	15/21.2
5,224,233 A	*	7/1993	Rich	15/88.3
5,940,918 A	*	8/1999	Binette	15/21.1
6,021,537 A	*	2/2000	Smith	15/21.2
6,745,424 B1	*	6/2004	Pimentel et al.	15/21.2

1 Claim, 7 Drawing Sheets



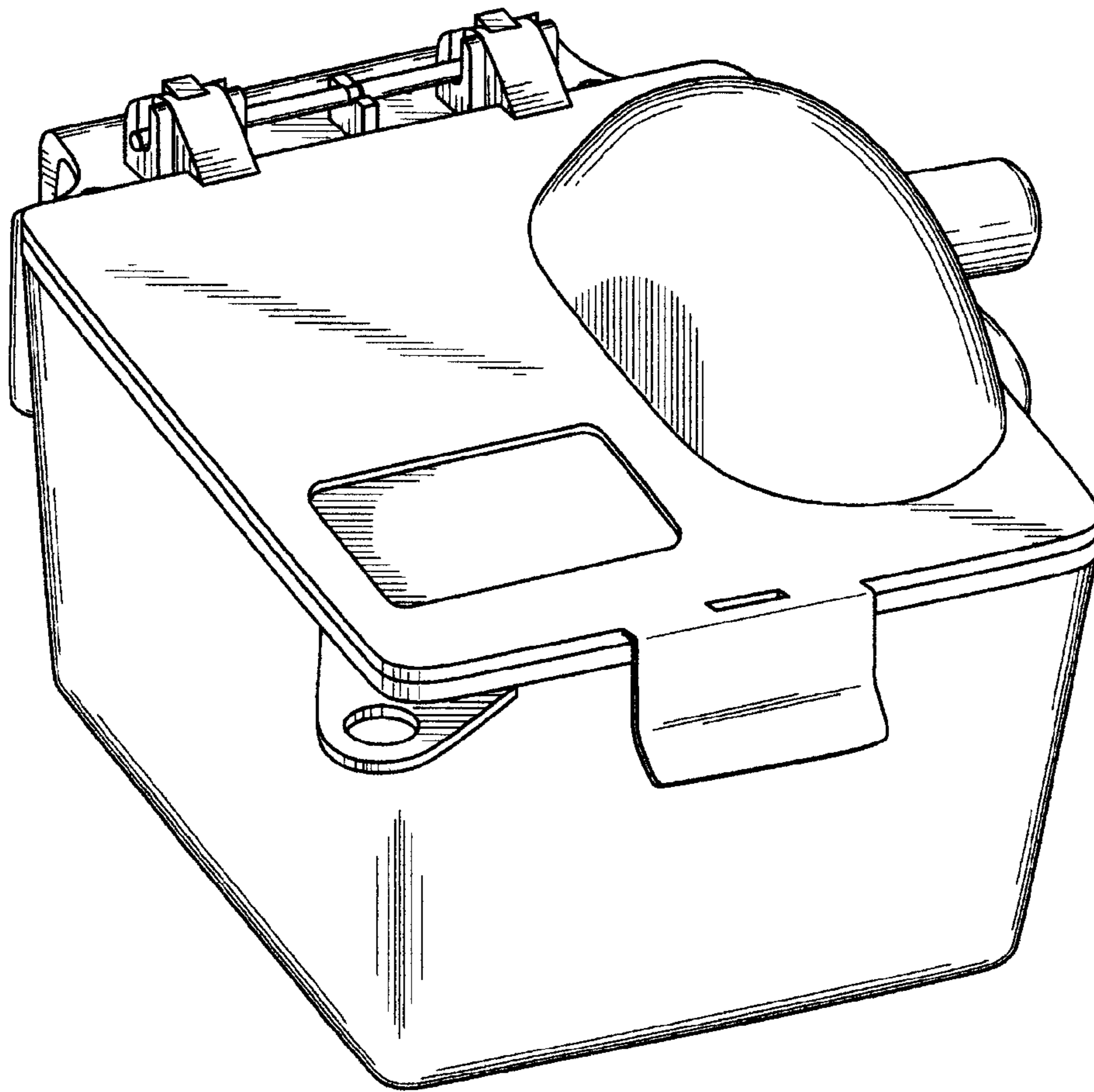


Fig. 1

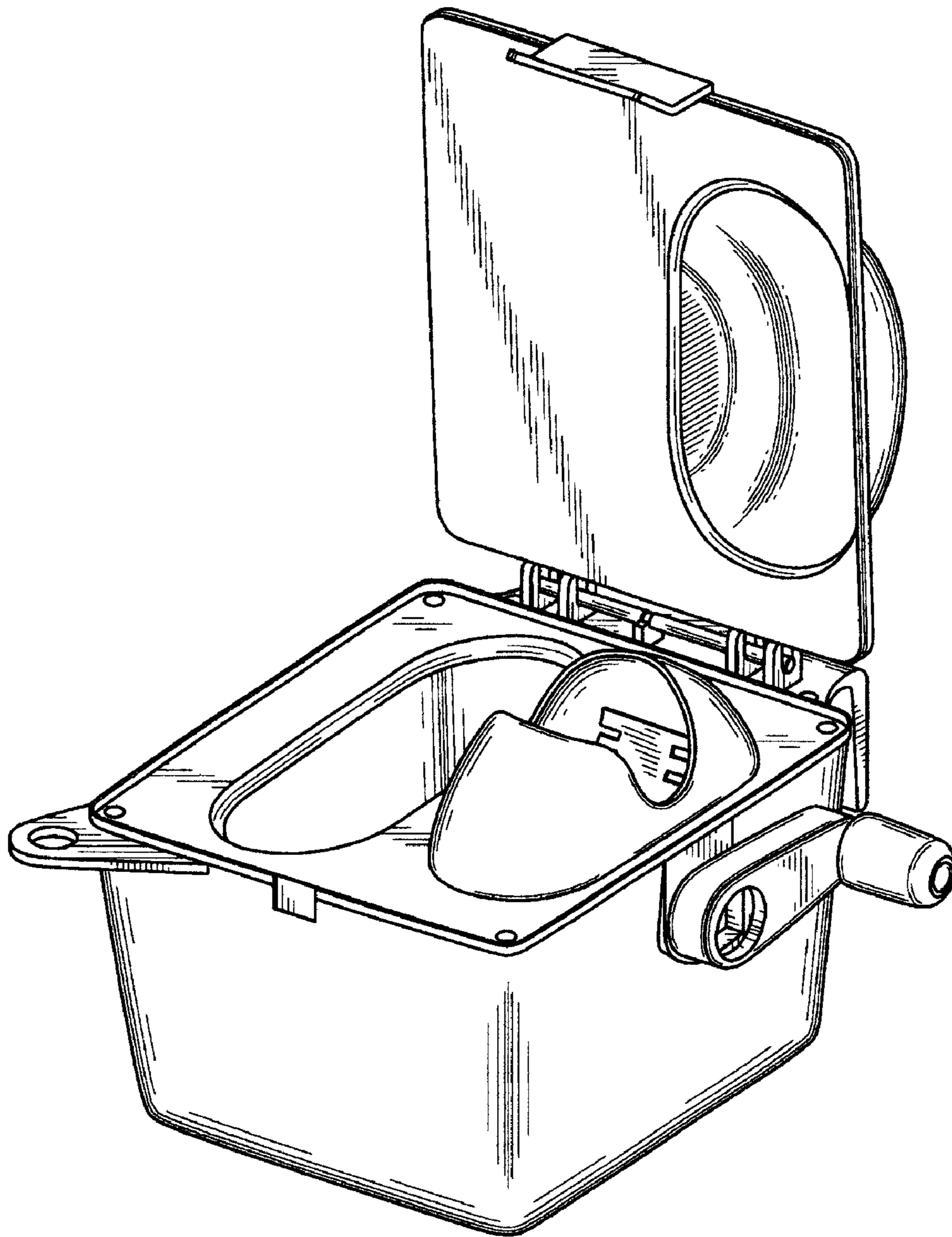


Fig. 2

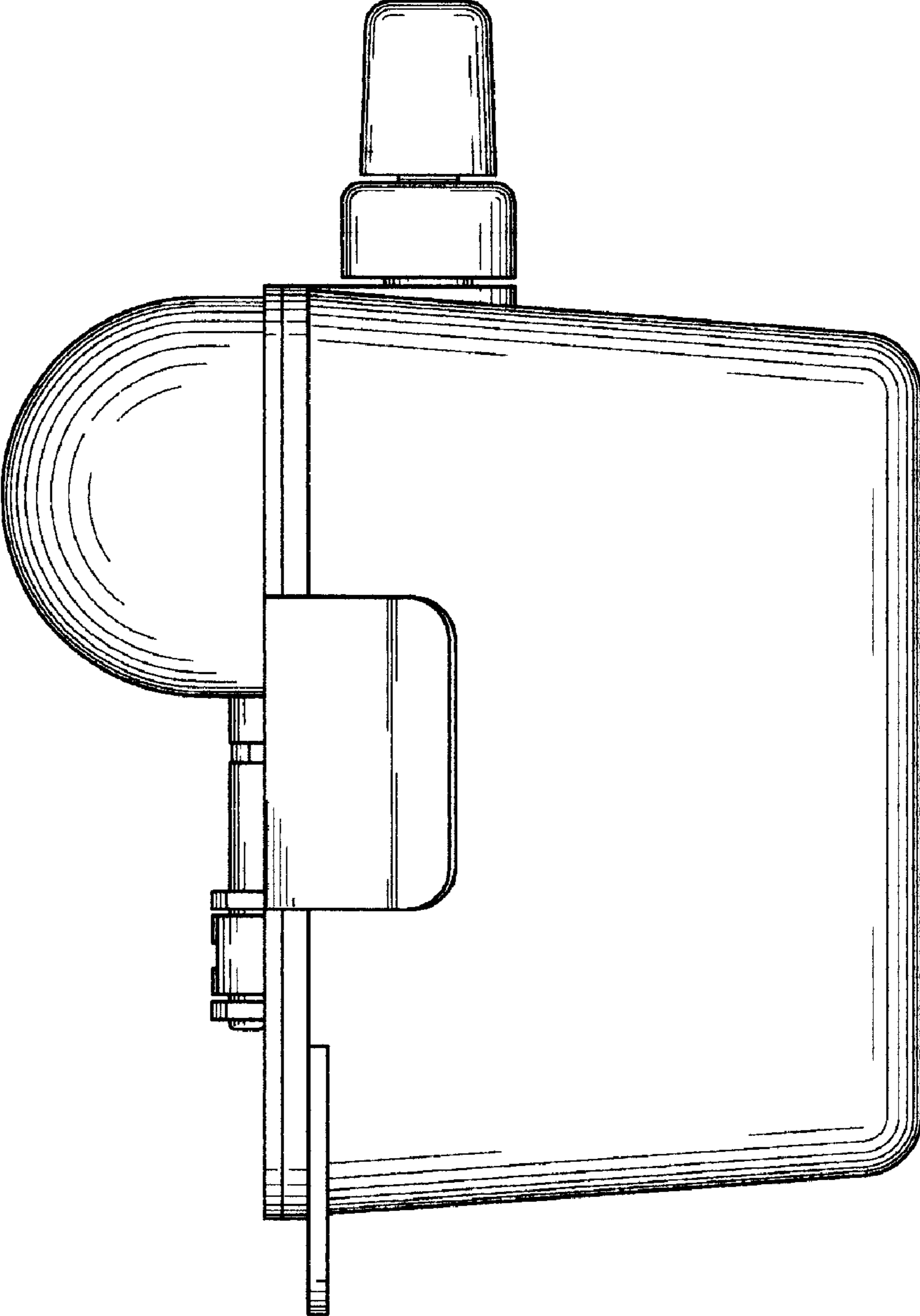


Fig. 3

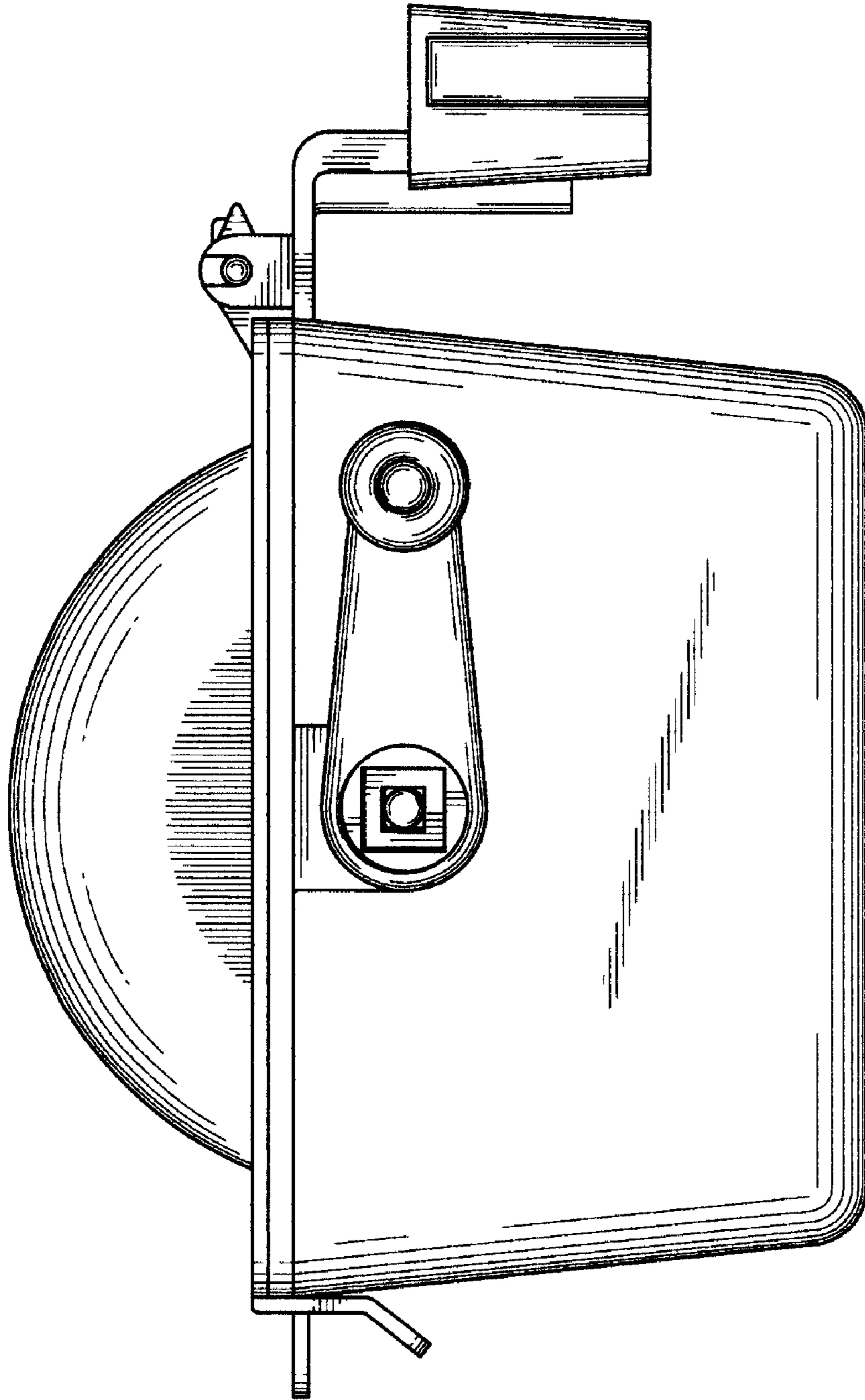


Fig. 4

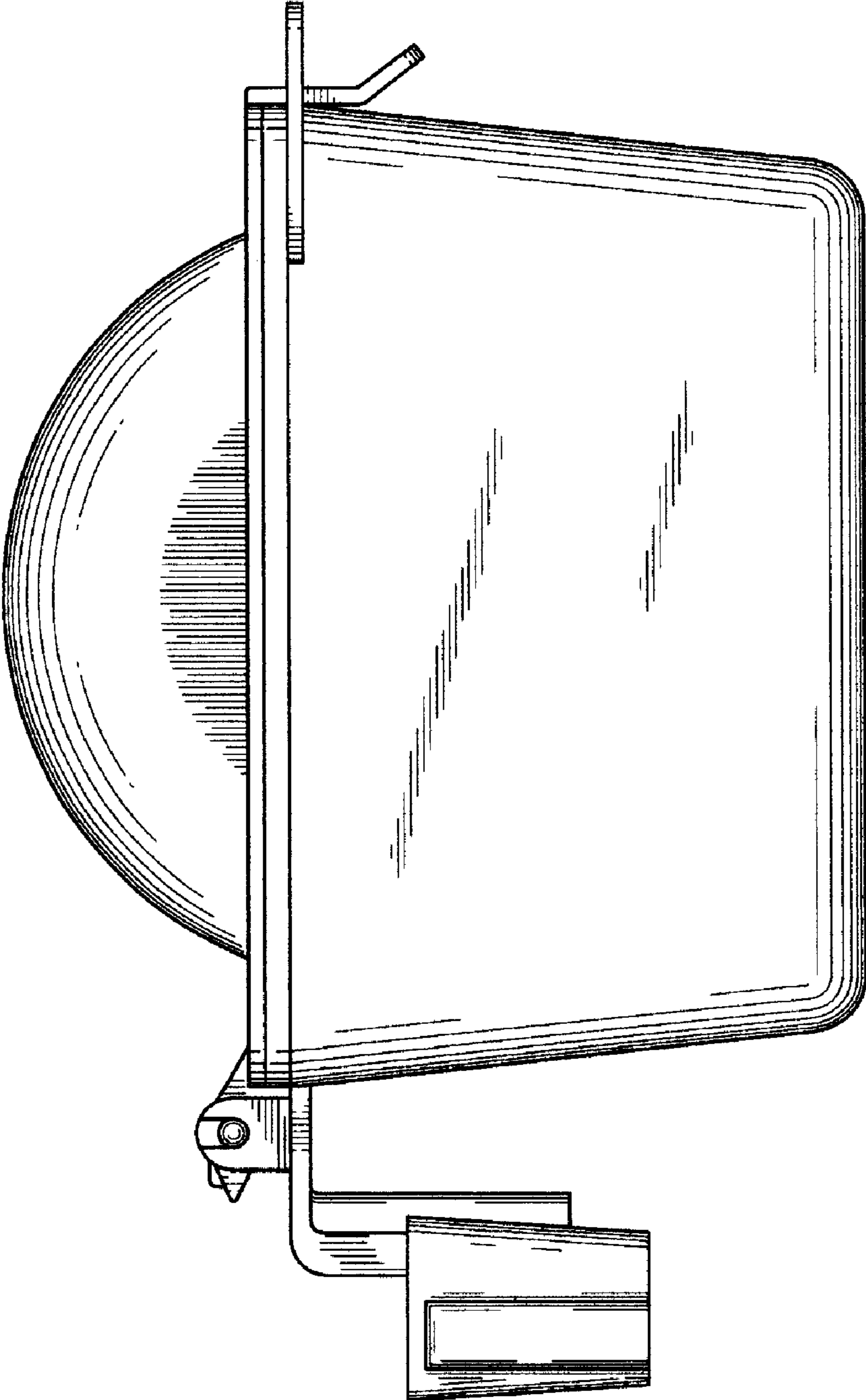


Fig. 5

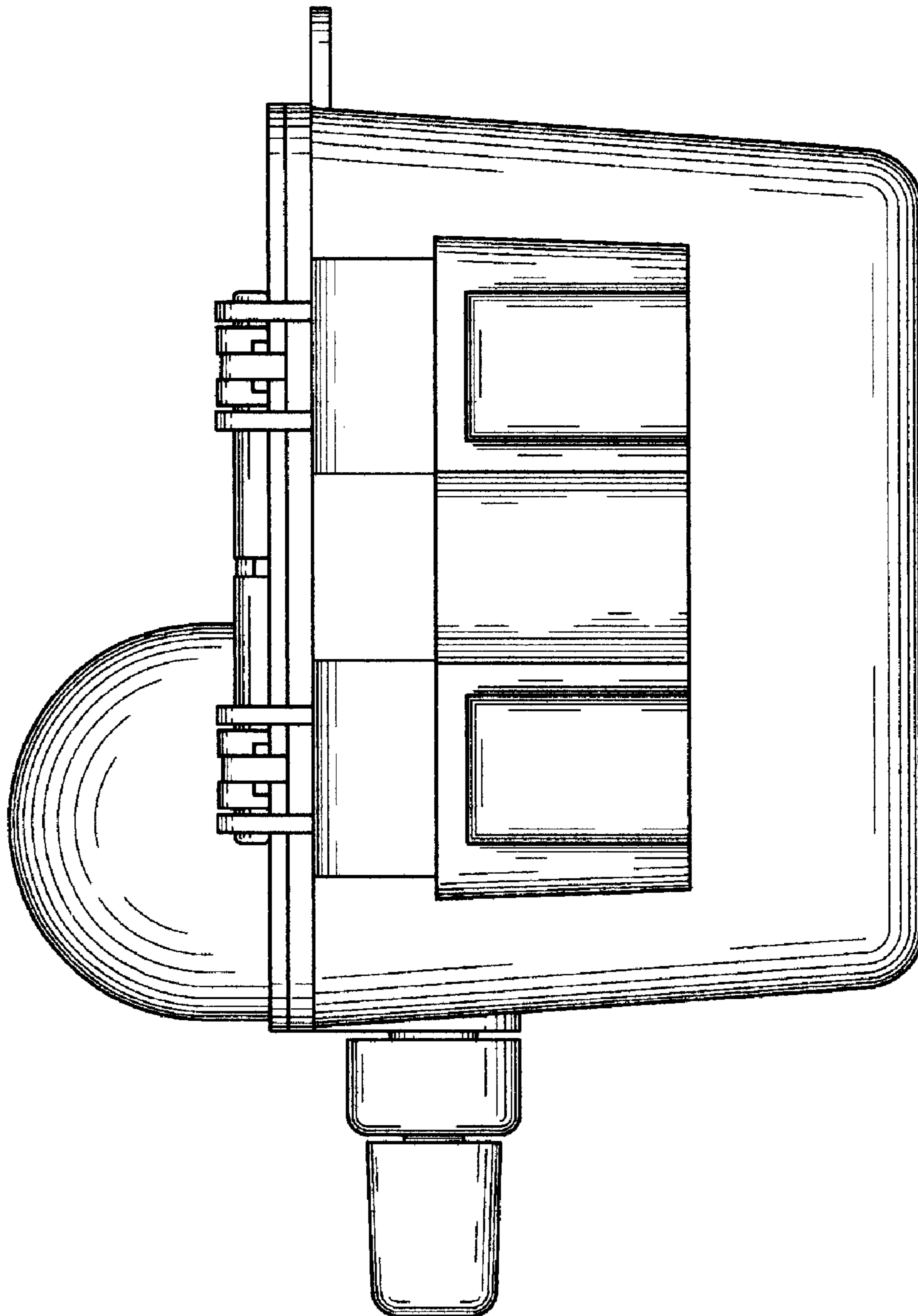


Fig. 6

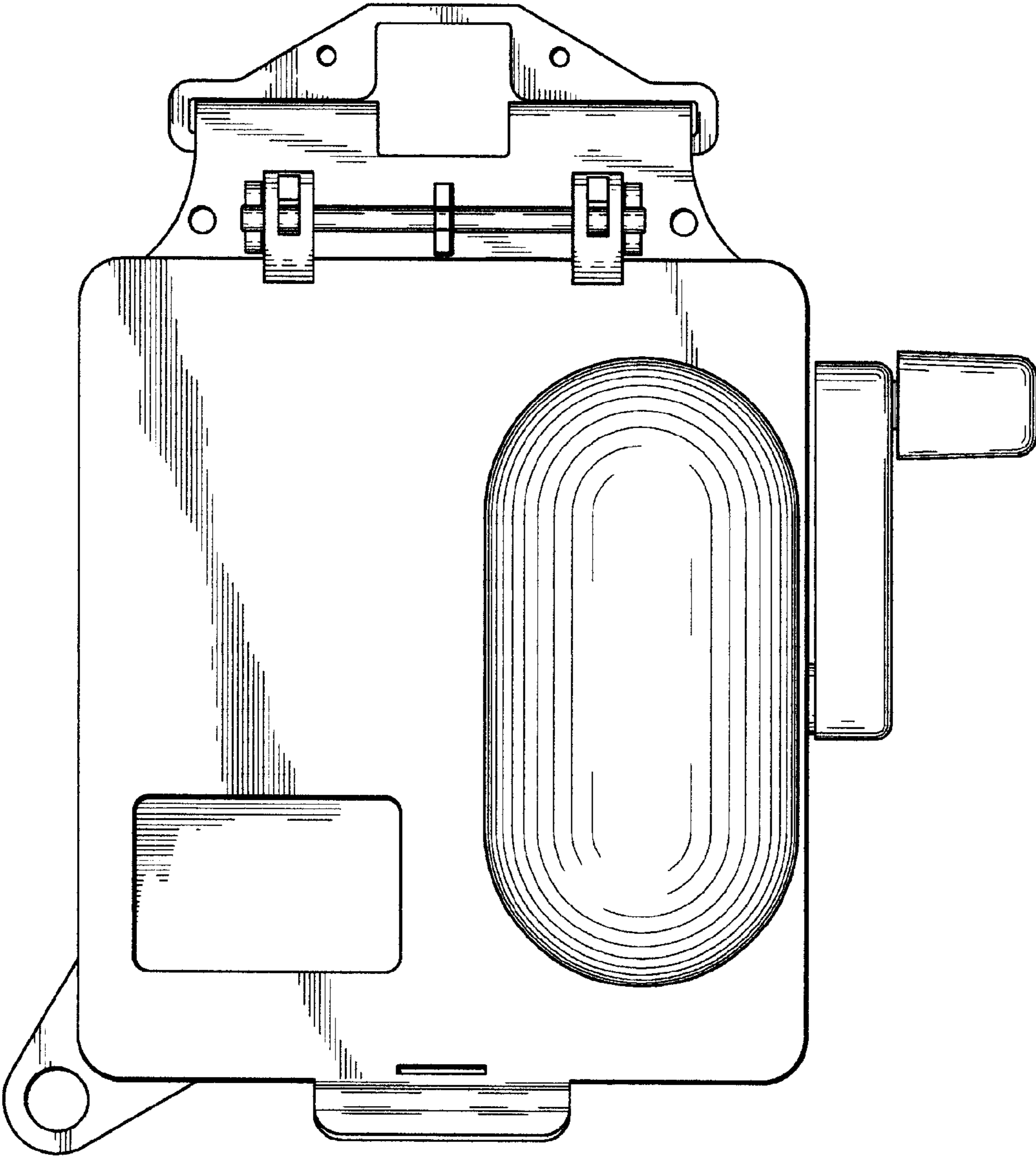


Fig. 7