



US00D532150S

(12) **United States Design Patent** (10) **Patent No.:** **US D532,150 S**  
**Flores et al.** (45) **Date of Patent:** **\*\* Nov. 14, 2006**

(54) **LIGHT FIXTURE BACKPLATE**

(75) Inventors: **Miguel Flores**, Riverside, CA (US);  
**Robert De'Armond**, Temecula, CA (US)

(73) Assignee: **Minka Lighting, Inc.**, Corona, CA (US)

(\*\*) Term: **14 Years**

(21) Appl. No.: **29/251,100**

(22) Filed: **Jan. 4, 2006**

(51) **LOC (8) Cl.** ..... **26-99**

(52) **U.S. Cl.** ..... **D26/142; D26/138**

(58) **Field of Classification Search** ..... D26/81-92,  
D26/138, 155, 143-145; 362/147, 404-408,  
362/432; D8/352

See application file for complete search history.

(56) **References Cited**

**U.S. PATENT DOCUMENTS**

D62,588 S	*	6/1923	Pfleager	.....	D26/87
D64,522 S	*	4/1924	Wolter	.....	D26/92
D76,974 S	*	11/1928	Altbach	.....	D26/143
D109,219 S	*	4/1938	Kelly	.....	D26/149
D412,042 S	*	7/1999	Shih	.....	D26/145

**OTHER PUBLICATIONS**

- U.S. Appl. No. 29/251,105, Flores and De'Armond.
- U.S. Appl. No. 29/251,146, Flores and De'Armond.
- U.S. Appl. No. 29/251,137, Flores and De'Armond.
- U.S. Appl. No. 29/251,125, Flores and De'Armond.

Minka-Lavery 2005 catalog; Jan. 2005; pp. 3-13; Minka Lighting, Inc.; U.S.A.

Kenroy International Internet Catalog; Coventry 2lt. Sconce; Model #90182SUN; printed from www.lightinguniverse.com on Feb. 11, 2006.

Hampton Bay Internet Catalog; Model #25066; printed from www.homedepot.com on Feb. 11, 2006.

Hampton Bay Internet Catalog; Model #22021-800VA; printed from www.homedepot.com on Feb. 11, 2006.

\* cited by examiner

*Primary Examiner*—Clare E Heflin

(74) *Attorney, Agent, or Firm*—Baker & McKenzie LLP

(57) **CLAIM**

The ornamental design for a light fixture backplate, as shown and described.

**DESCRIPTION**

FIG. 1 is a perspective view from above of a light fixture backplate in accordance with our design;

FIG. 2 is a top plan view of the light fixture backplate in accordance with our design;

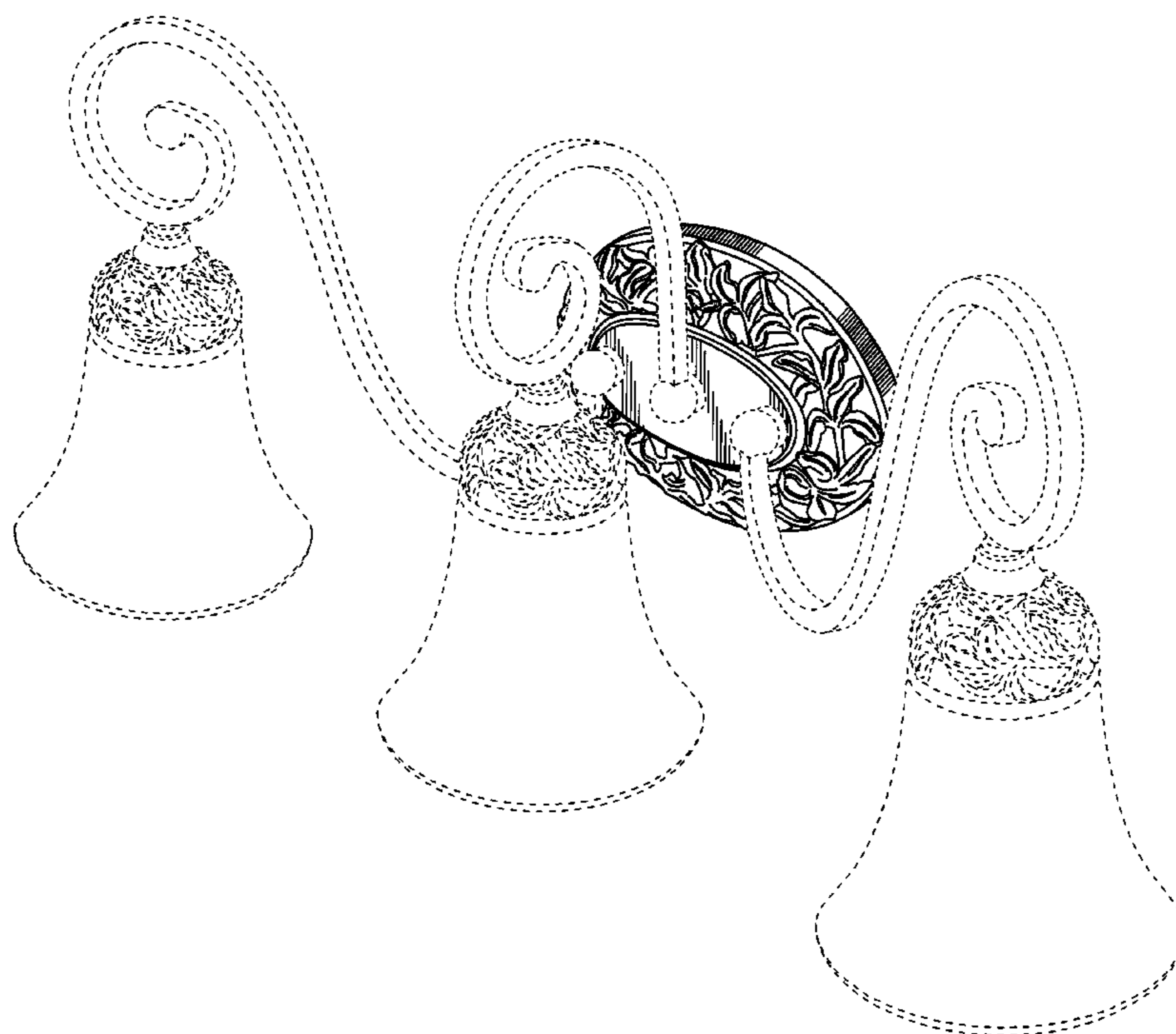
FIG. 3 is a bottom plan view of the light fixture backplate in accordance with our design;

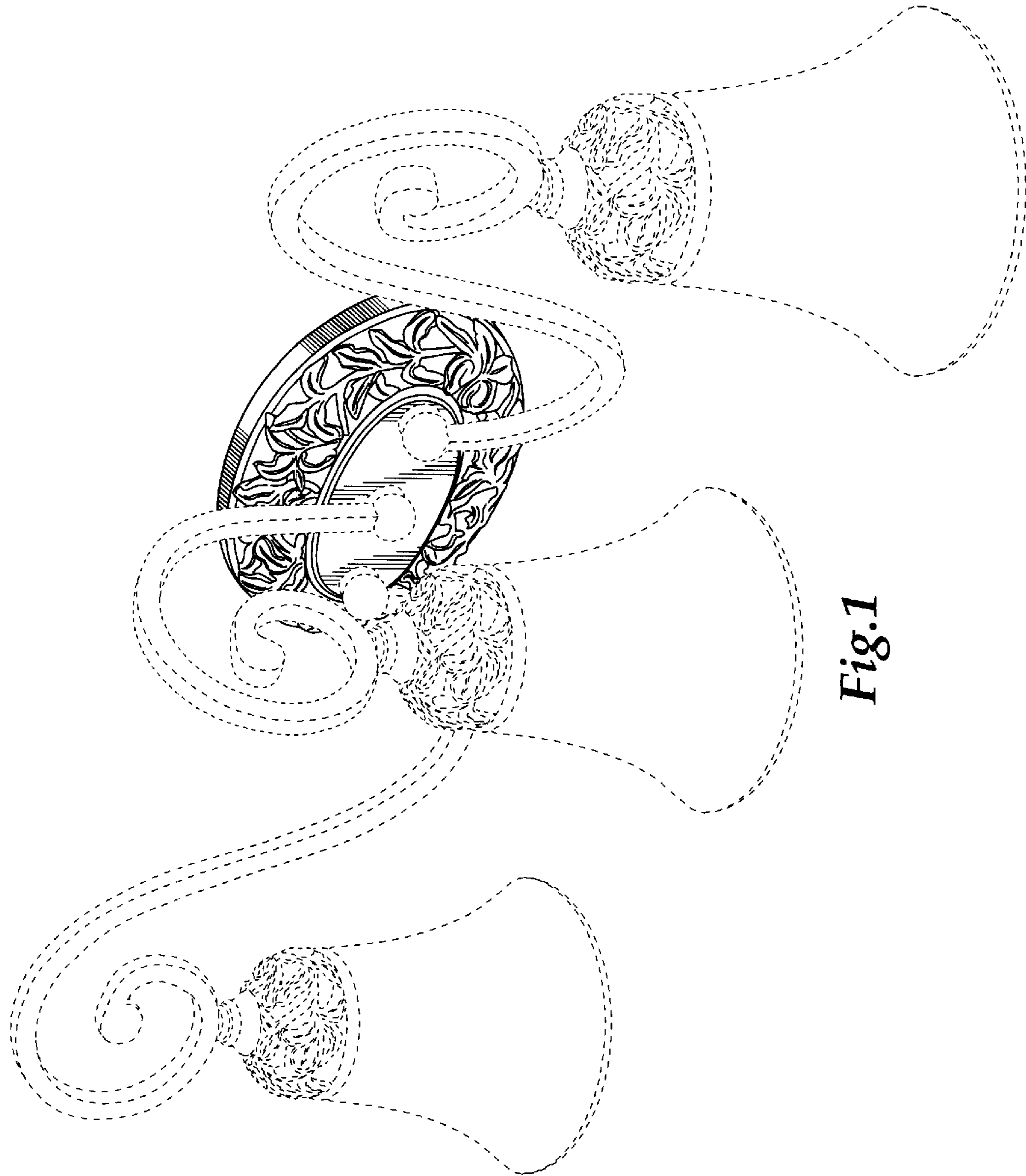
FIG. 4 is a front plan view of the light fixture backplate in accordance with our design; and,

FIG. 5 is a side elevation view of the light fixture backplate in accordance with our design, the opposite side being a mirror image.

The broken lines showing environmental structure are for illustrative purposes only and form no part of the claimed invention.

**1 Claim, 5 Drawing Sheets**





*Fig. 1*

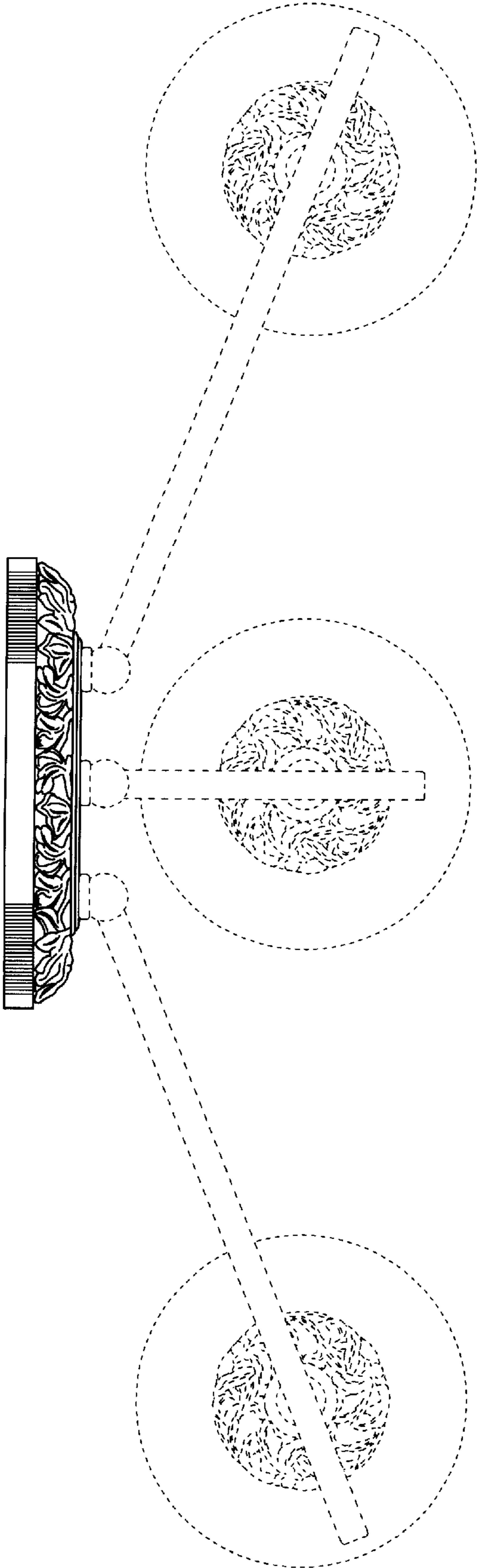
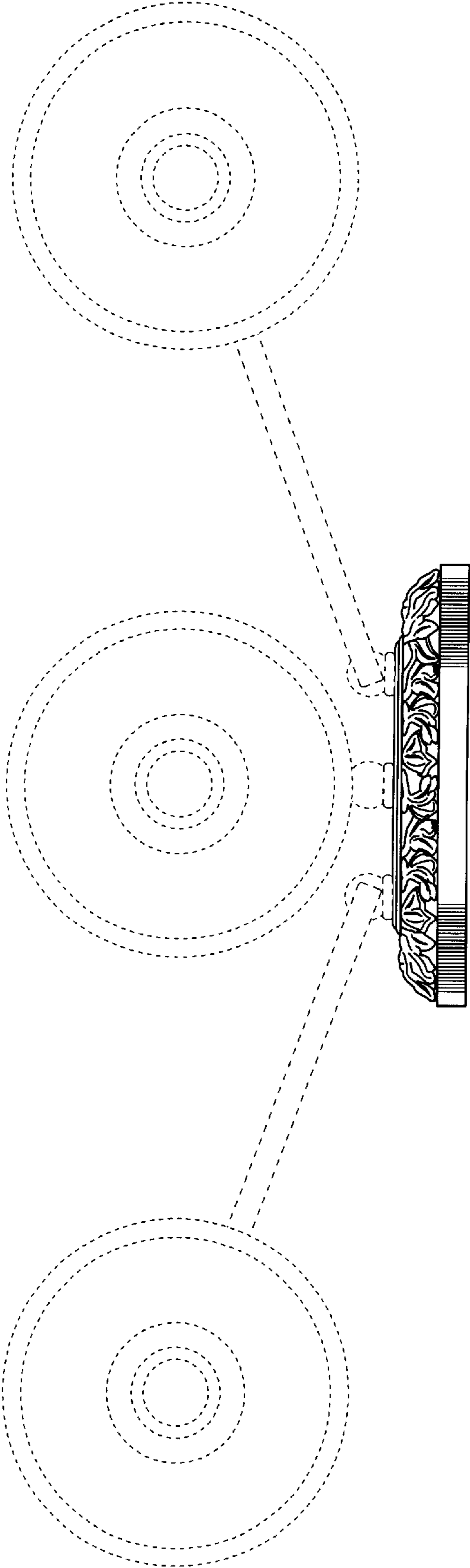
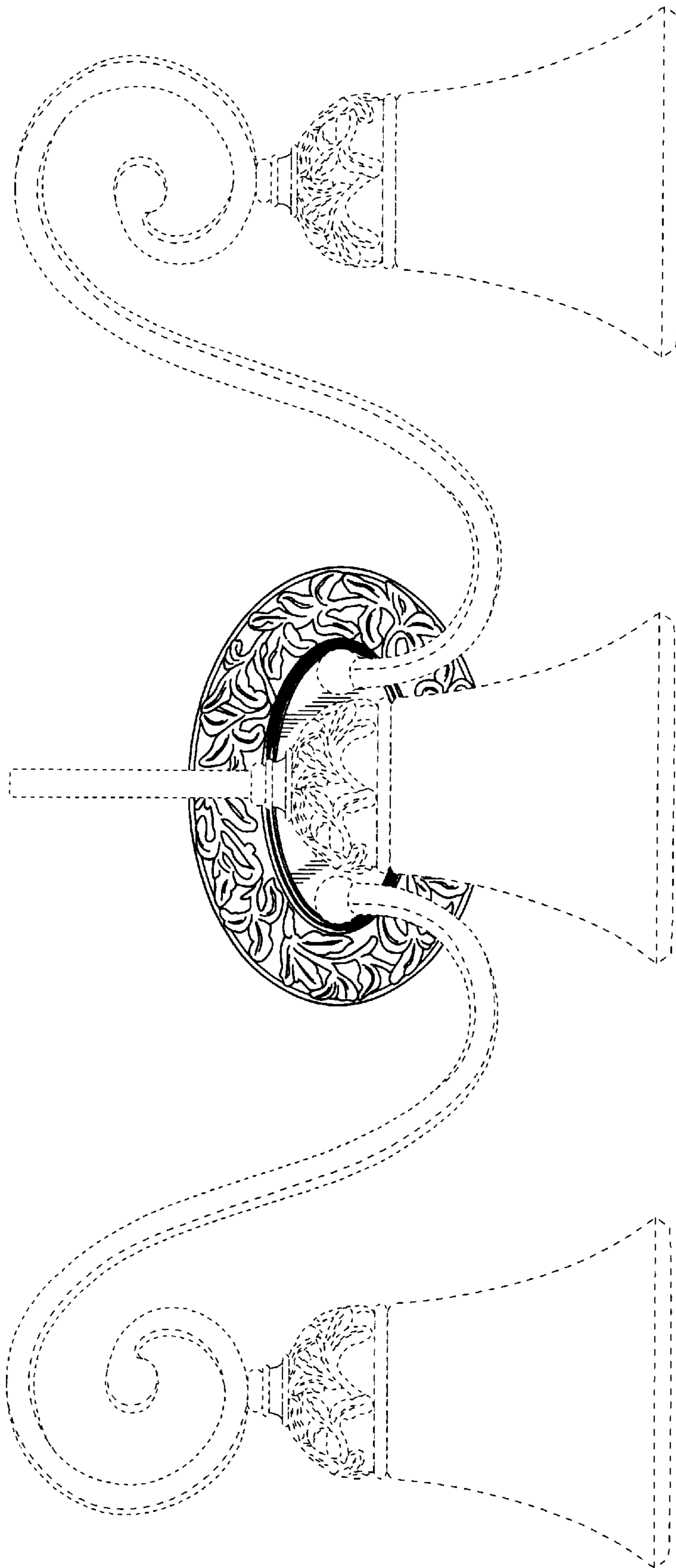


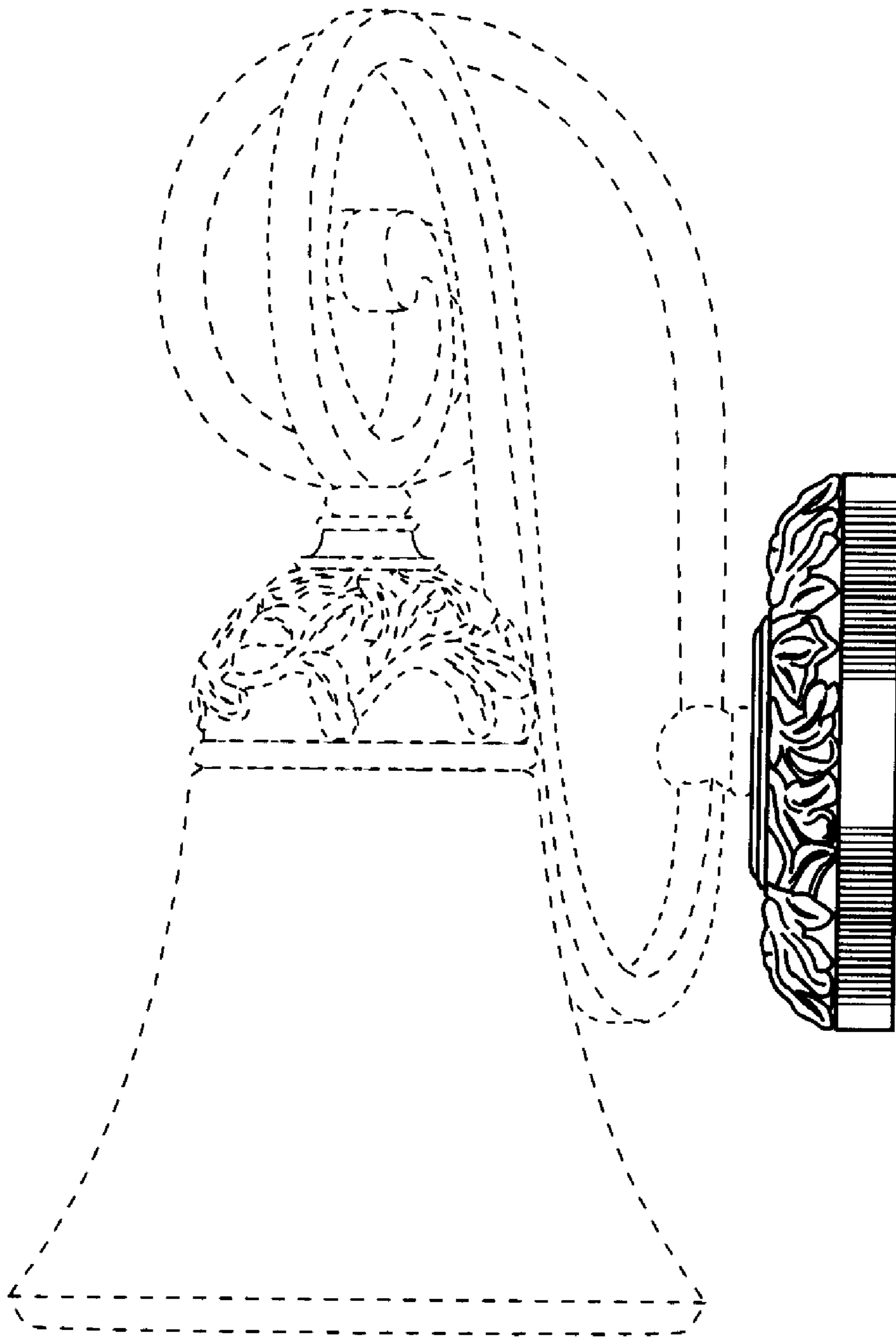
Fig.2



*Fig.3*



*Fig.4*



*Fig.5*