

US00D532148S

(12) **United States Design Patent**
Matsui et al.

(10) **Patent No.:** **US D532,148 S**
(45) **Date of Patent:** **** Nov. 14, 2006**

(54) **LIGHT EMITTING DIODE LAMP UNIT**
(75) Inventors: **Nobuyuki Matsui**, Ibaraki (JP); **Hideo Nagai**, Takatsuki (JP); **Kenji Mukai**, Shijonawate (JP); **Masanori Shimizu**, Kyotanabe (JP)

JP D 1182540 8/2003
JP D 1182541 8/2003
JP D 1182542 8/2003
JP D 1182543 8/2003
JP D 1183708 9/2003
JP D 1190712 11/2003
JP D1191624 12/2003

(73) Assignee: **Matsushita Electric Industrial Co., Ltd.**, Osaka (JP)

* cited by examiner

(**) Term: **14 Years**

Primary Examiner—Clare E Heflin
(74) *Attorney, Agent, or Firm*—Brinks Hofer Gilson & Lione

(21) Appl. No.: **29/219,413**

(22) Filed: **Dec. 16, 2004**

(57) **CLAIM**

(30) **Foreign Application Priority Data**

We claim the ornamental design for a light emitting diode lamp unit, as shown and described.

Jun. 18, 2004 (JP) 2004-018298
Jun. 18, 2004 (JP) 2004-018299

DESCRIPTION

(51) **LOC (8) Cl.** **26-99**
(52) **U.S. Cl.** **D26/138; D26/80; D26/2**
(58) **Field of Classification Search** D26/2, D26/80, 86, 138; D13/180, 182; 313/512; 362/555, 612, 800, 231, 235, 237, 240, 241, 362/249, 545; 345/83

See application file for complete search history.
FIG. 1 is a top perspective view of a first embodiment of a light emitting diode lamp unit of the present invention;
FIG. 2 is a top view thereof;
FIG. 3 is a bottom view thereof;
FIG. 4 is a first side view thereof, wherein the second side view is a mirror image thereof;
FIG. 5 is a third side view thereof, wherein the fourth side view is a mirror image thereof;
FIG. 6 is a top perspective view of a second embodiment of a light emitting diode lamp unit of the present invention;
FIG. 7 is a top view thereof;
FIG. 8 is a bottom view thereof;
FIG. 9 is a first side view thereof, wherein the second side view is a mirror image thereof; and,
FIG. 10 is a third side view thereof, wherein the fourth side view is a mirror image thereof.

(56) **References Cited**

U.S. PATENT DOCUMENTS

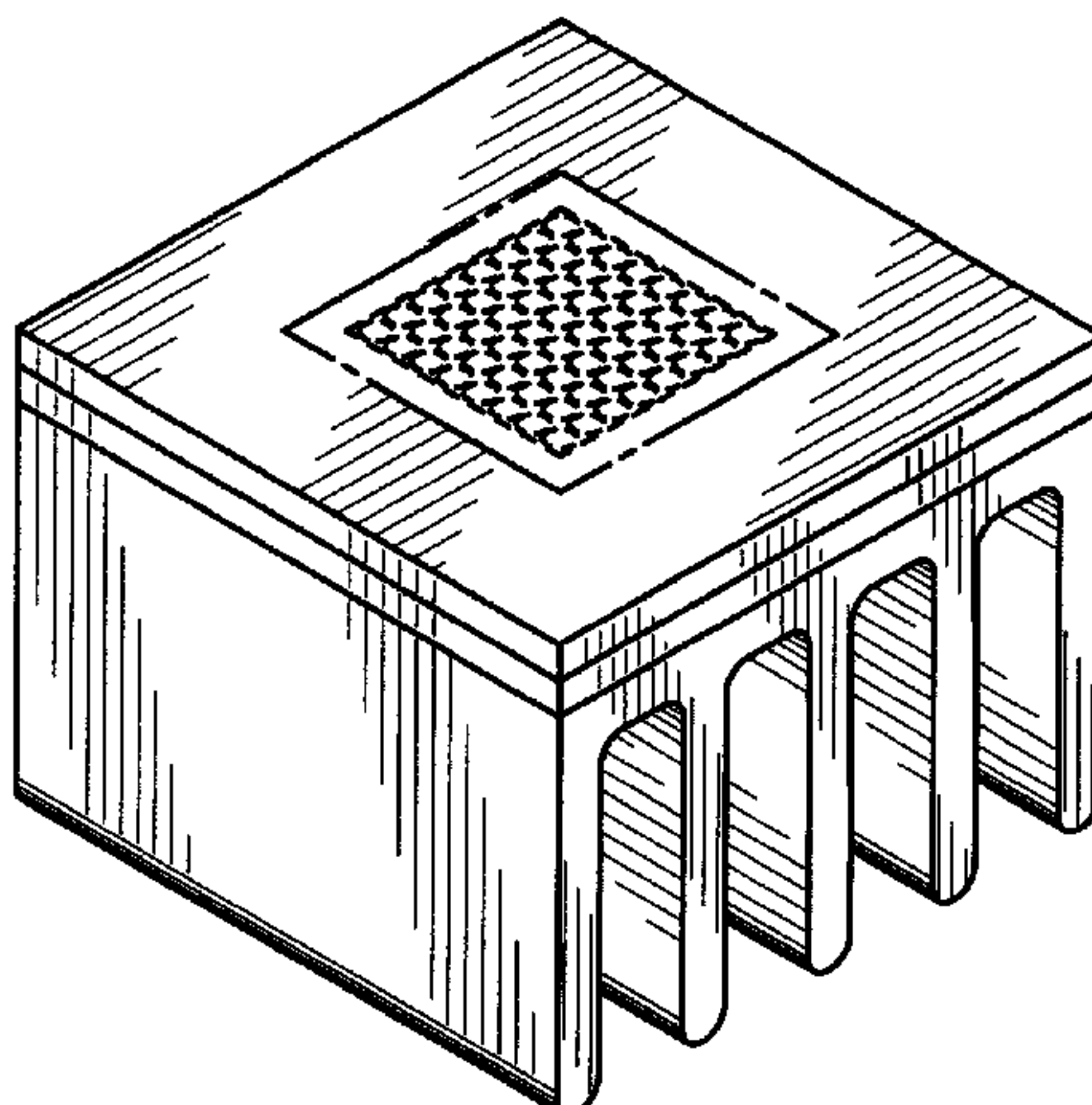
The ornamental design which is claimed is shown in solid lines in the drawings. Any broken lines in the drawings are for illustrative purposes only and form no part of the claimed design.

D245,240 S * 8/1977 Sut D26/80
D246,203 S * 10/1977 Harris D26/80
D262,405 S 12/1981 Zabransky
5,808,592 A 9/1998 Mizutani et al.
6,220,722 B1 4/2001 Begemann
6,502,956 B1 1/2003 Wu
D474,848 S 5/2003 Lodhie
6,659,632 B1 12/2003 Chen
D494,286 S 8/2004 Matsui et al.
D494,287 S 8/2004 Matsui et al.
D494,288 S 8/2004 Matsui et al.
D494,687 S 8/2004 Matsui et al.

FOREIGN PATENT DOCUMENTS

JP D 1182538 8/2003

1 Claim, 10 Drawing Sheets



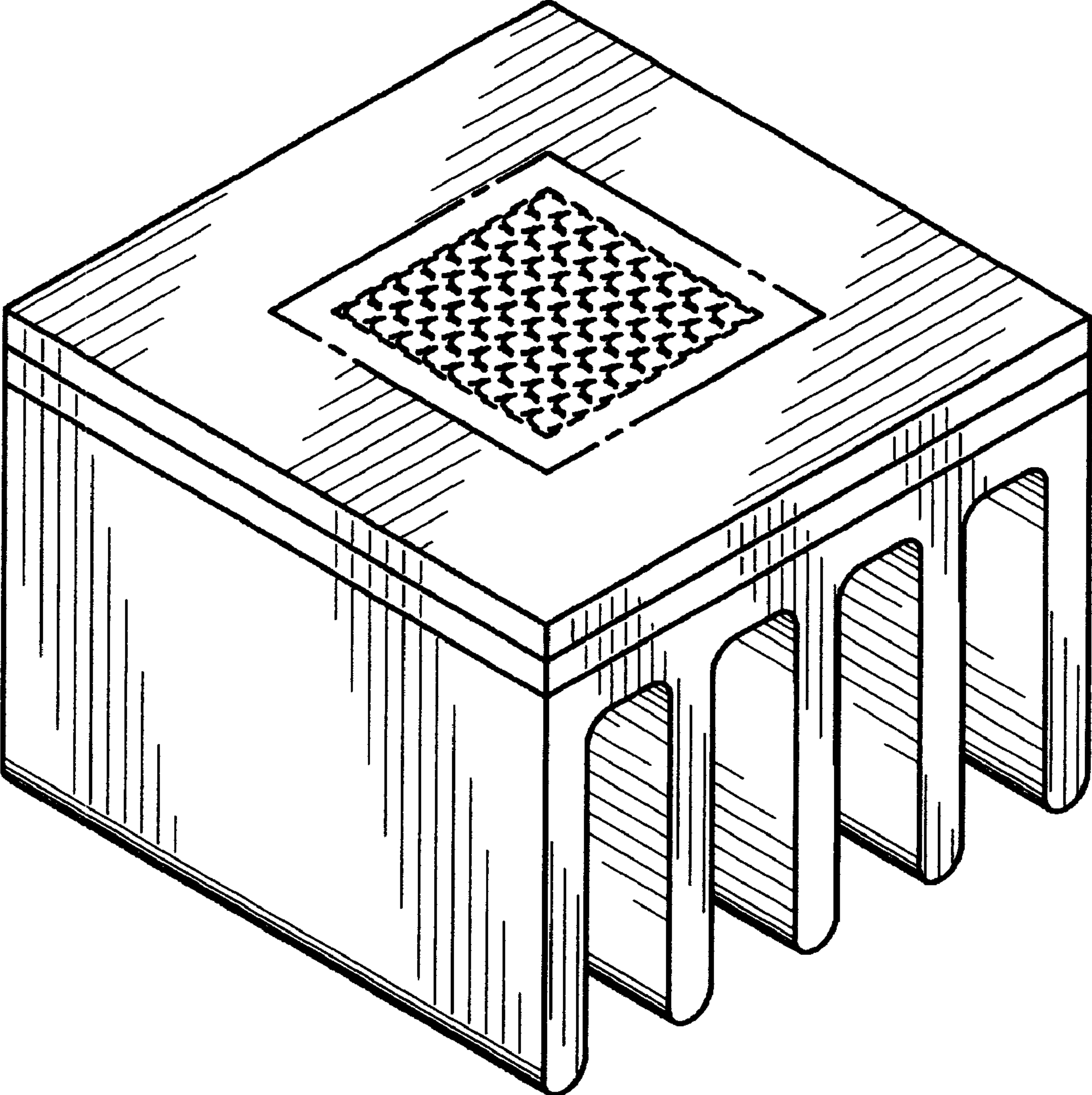


FIG. 1

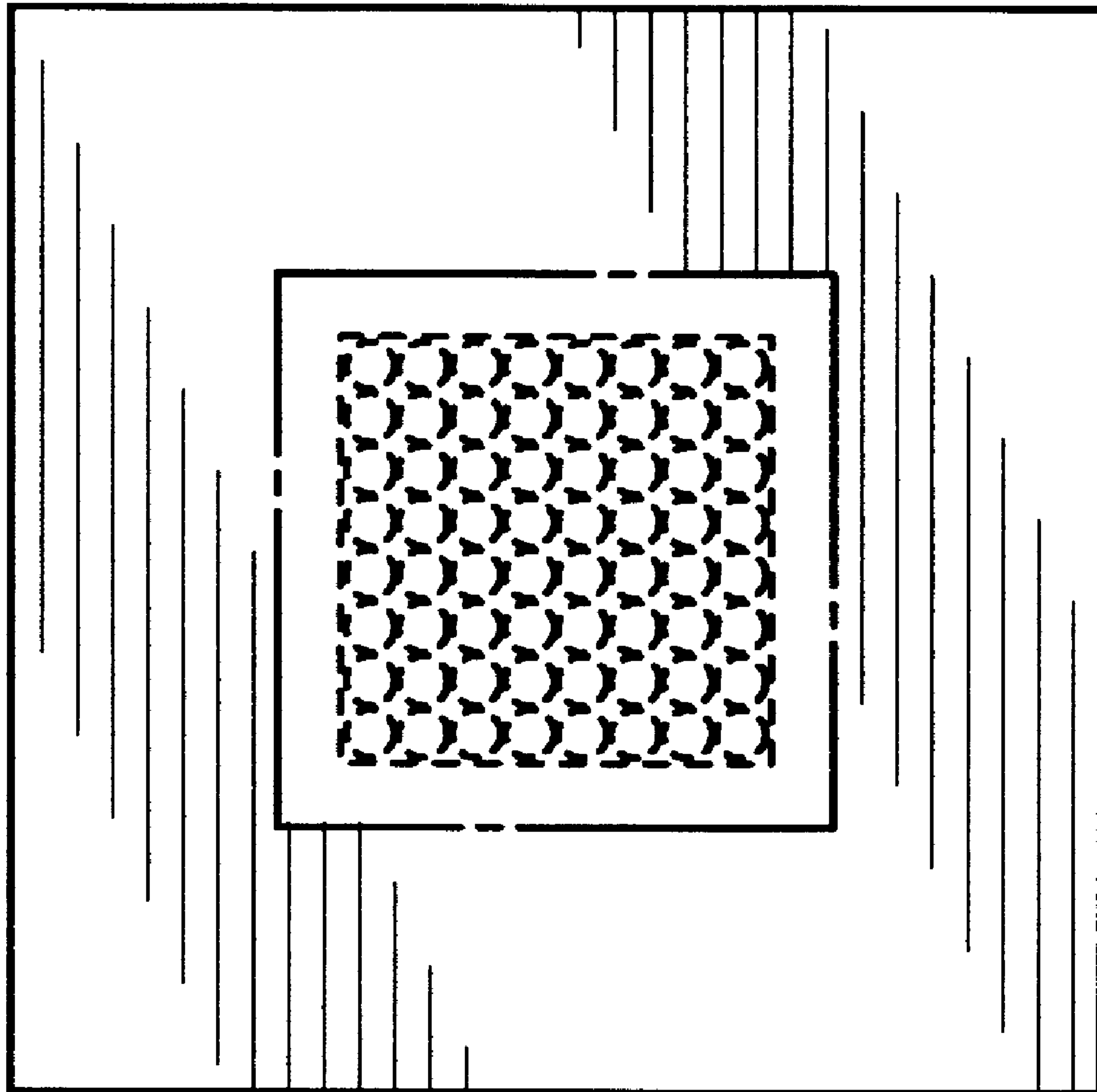


FIG. 2

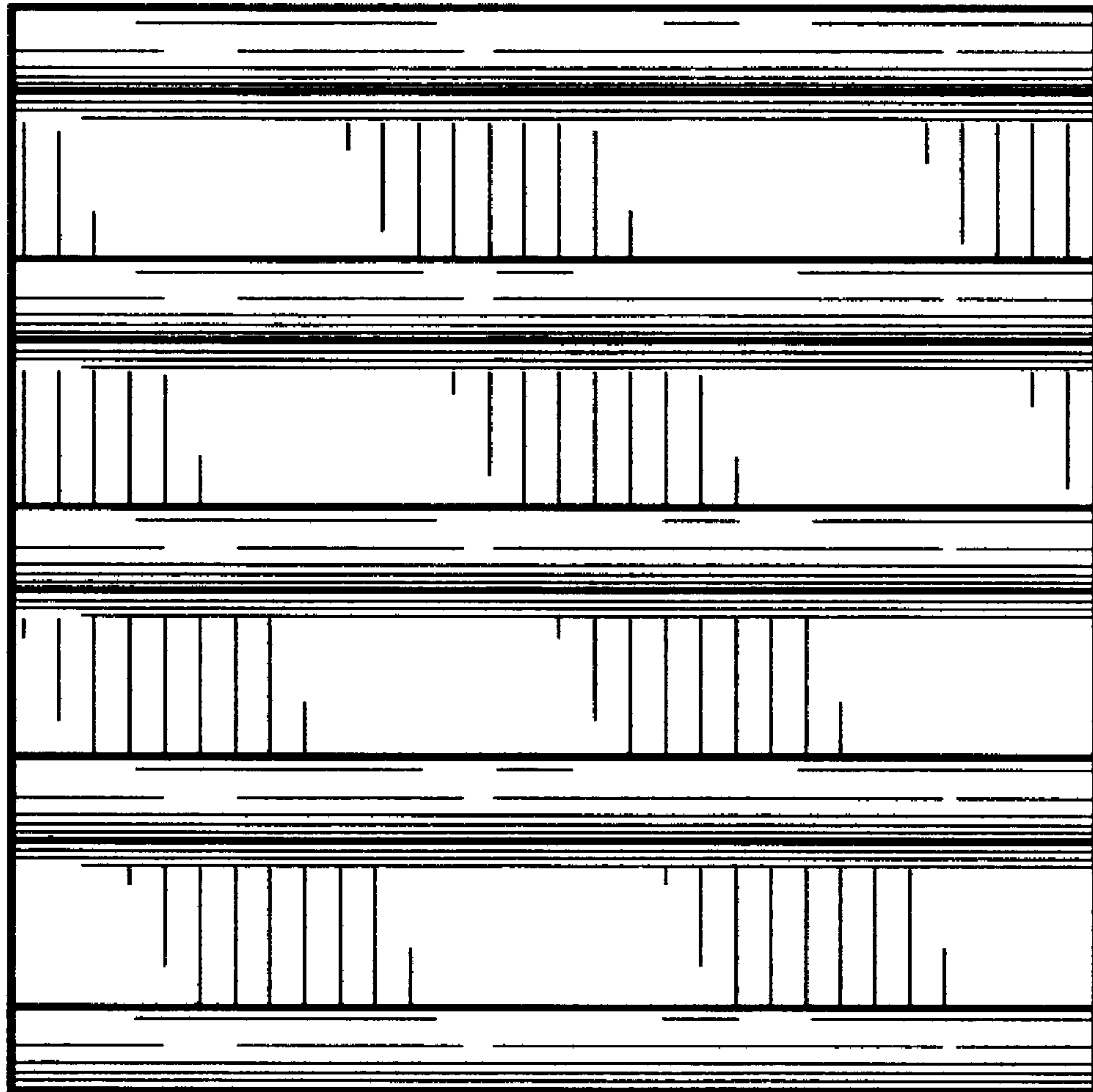


FIG. 3

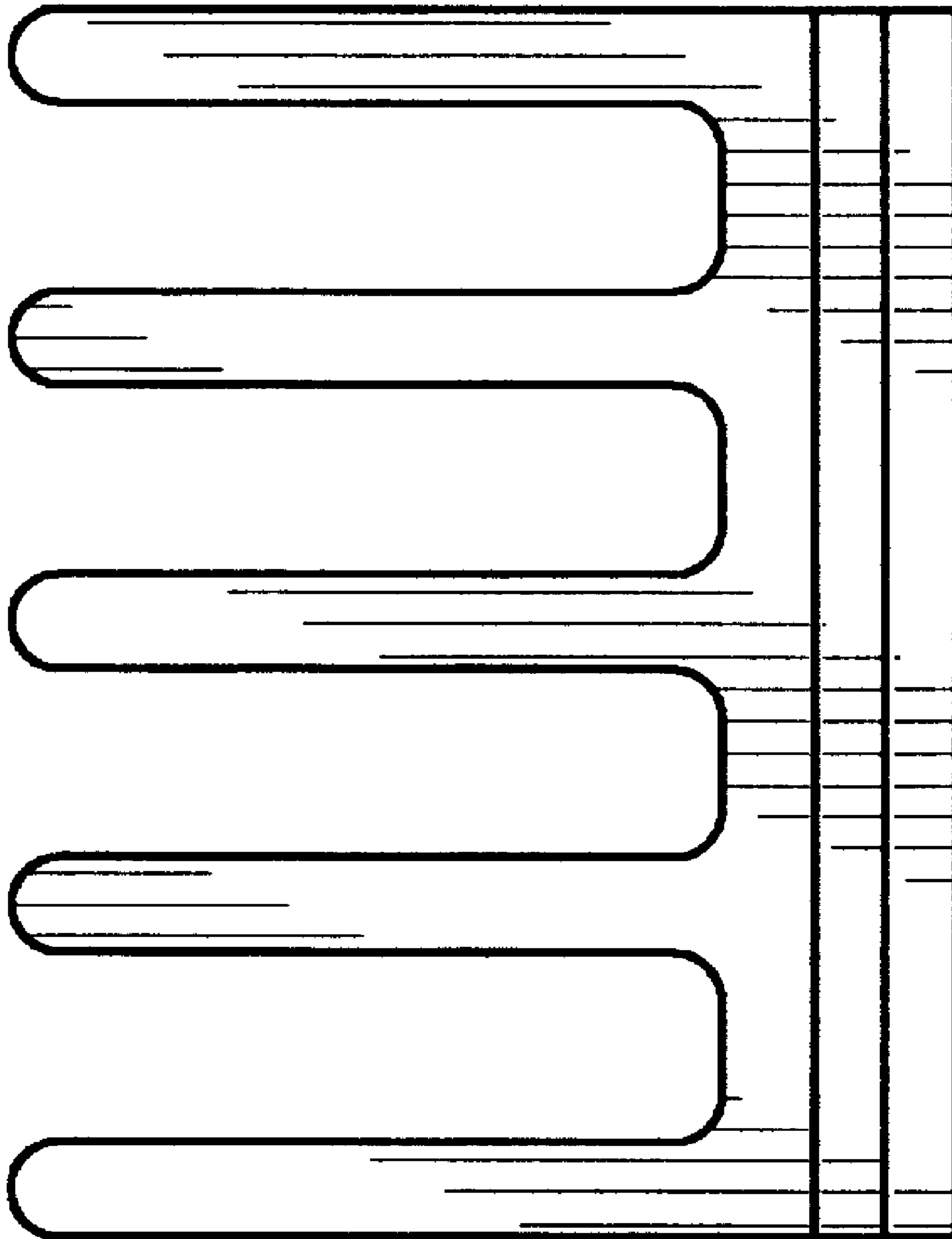


FIG. 4

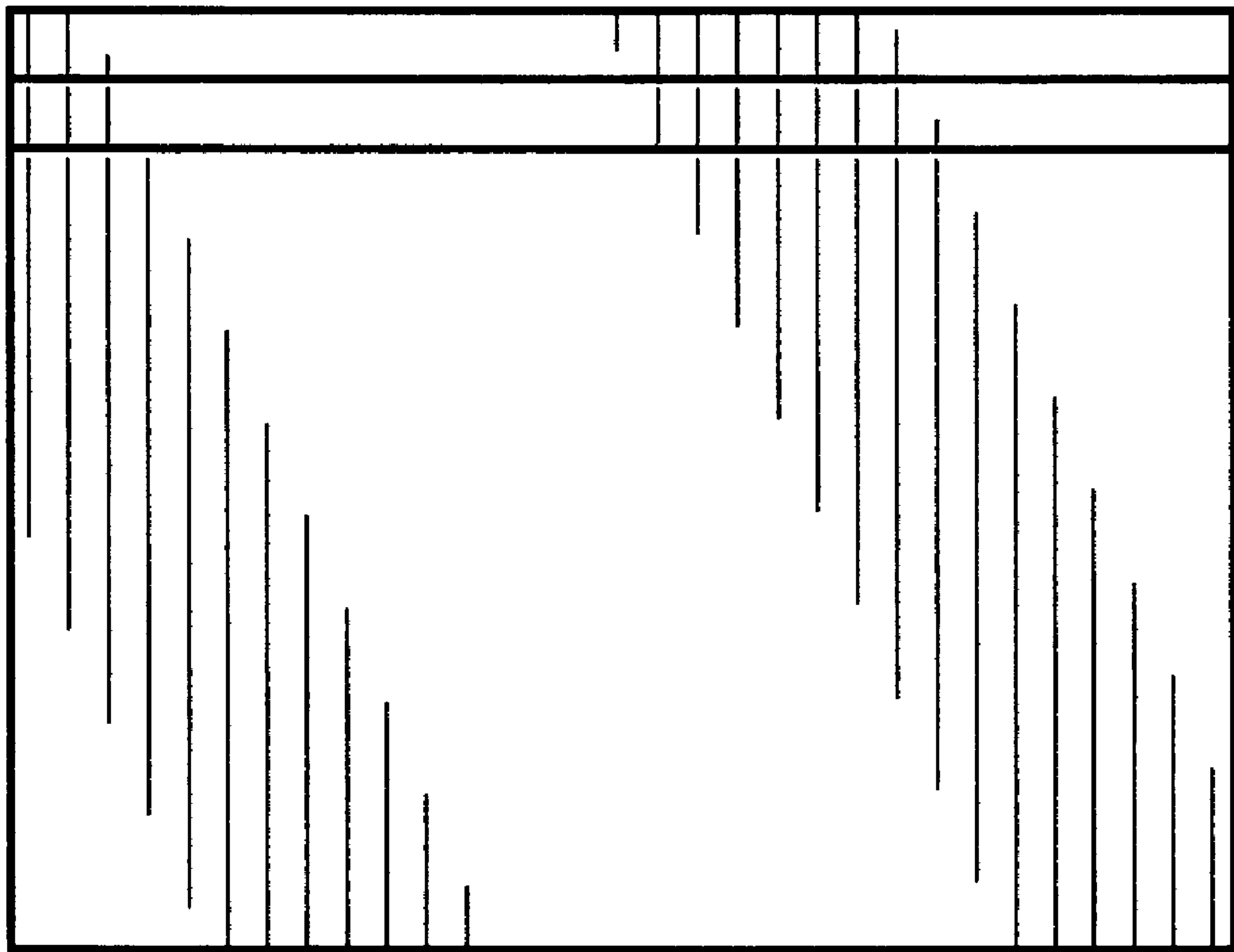


FIG. 5

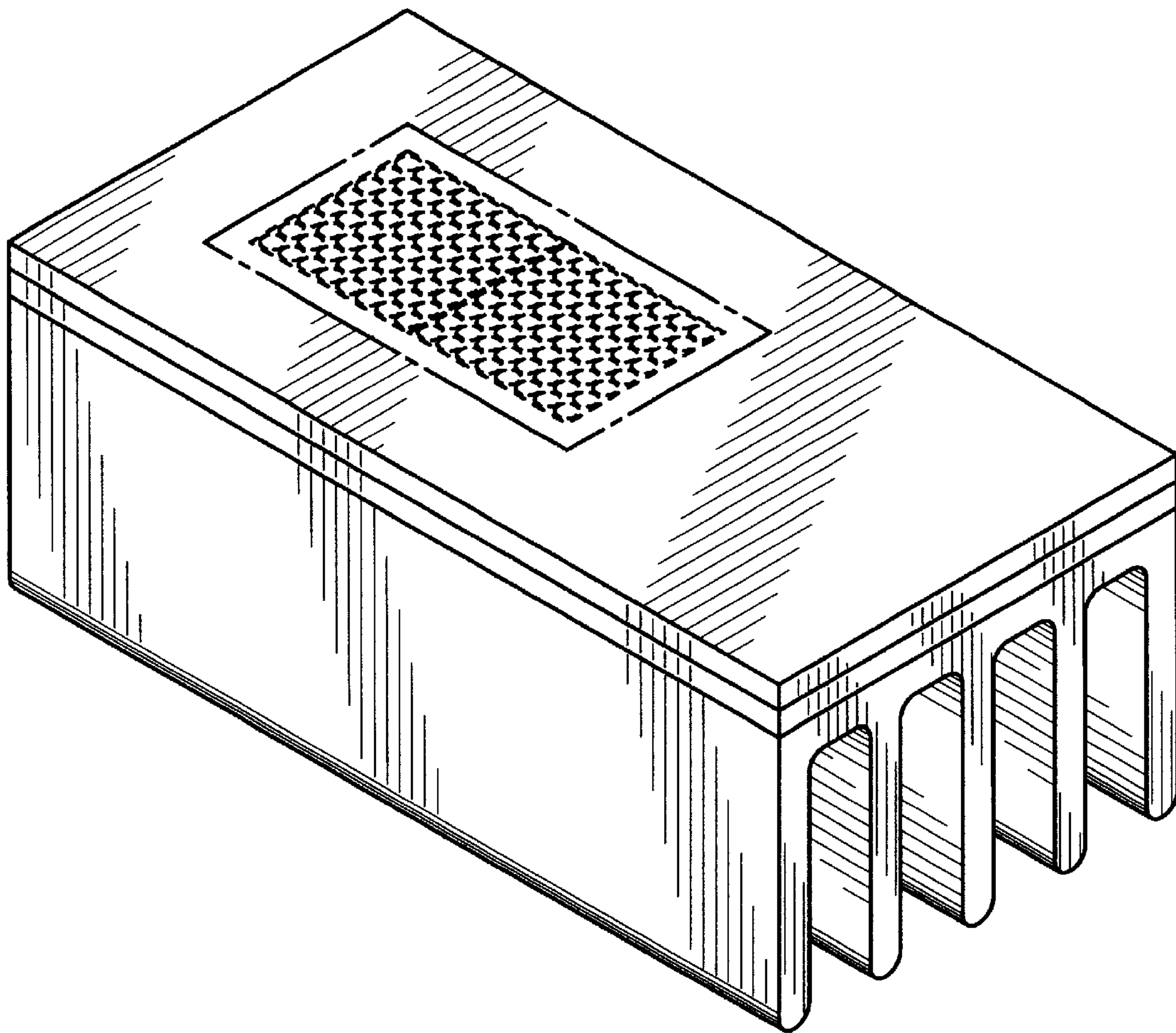


FIG. 6

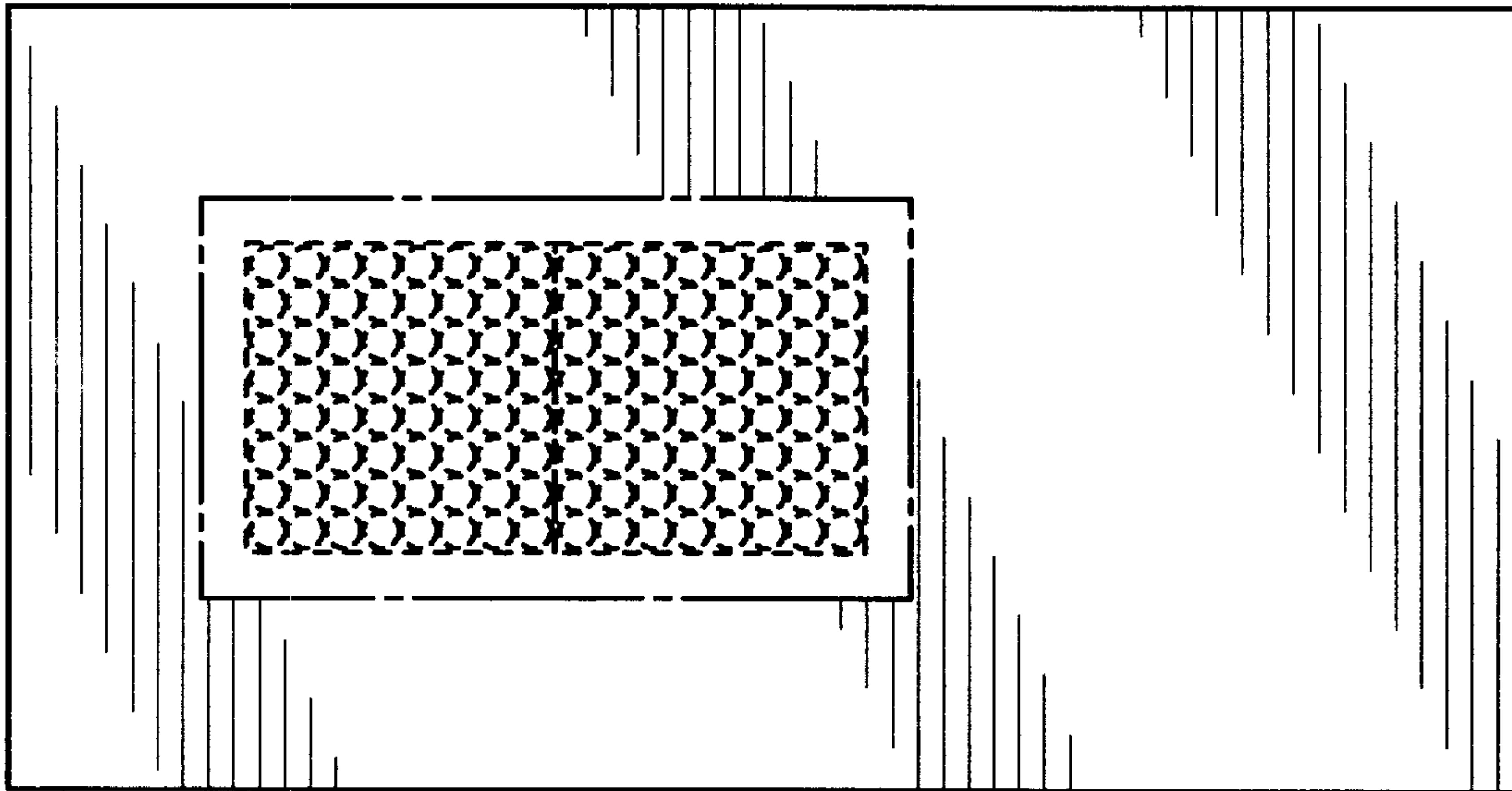


FIG. 7

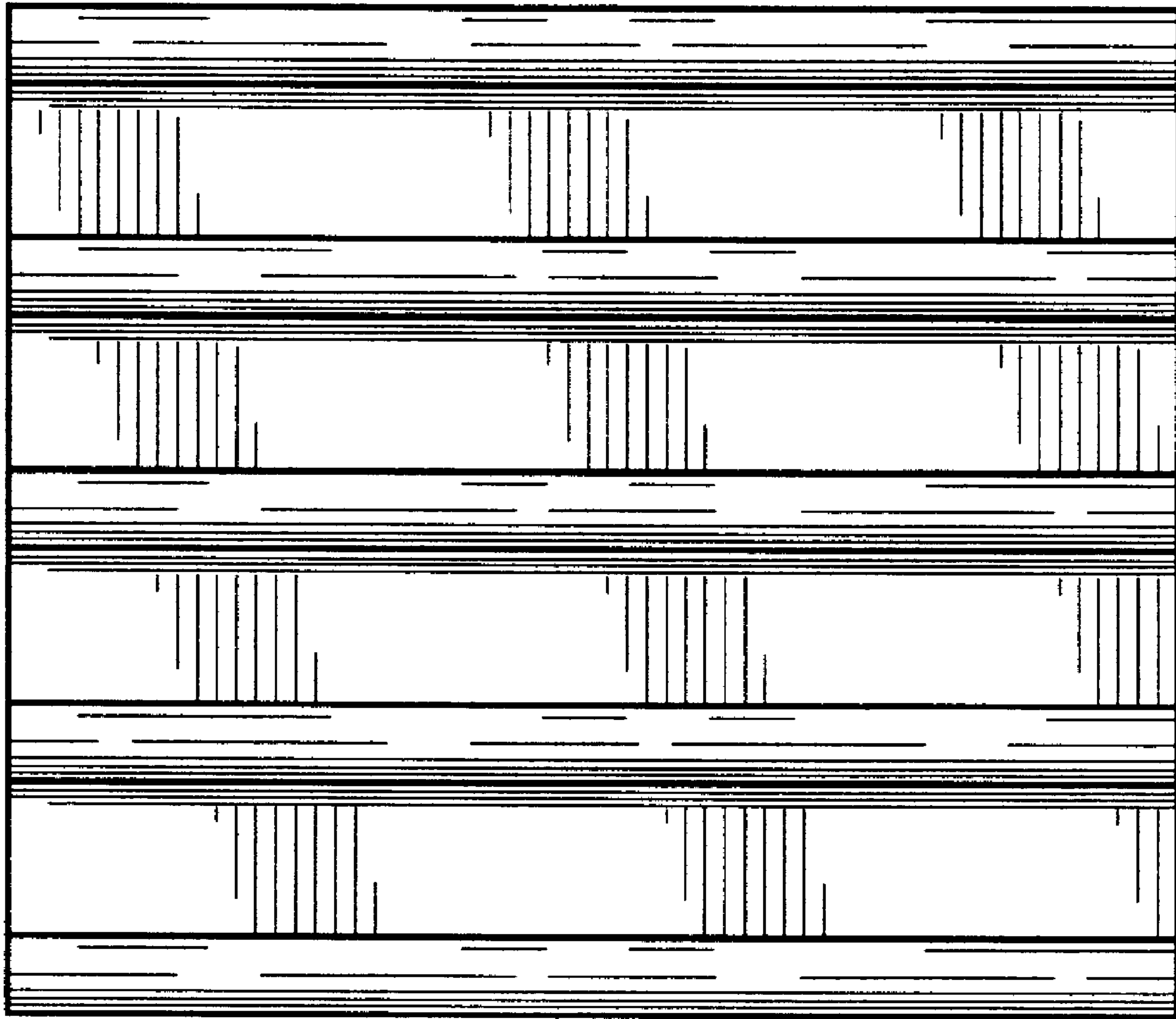


FIG. 8

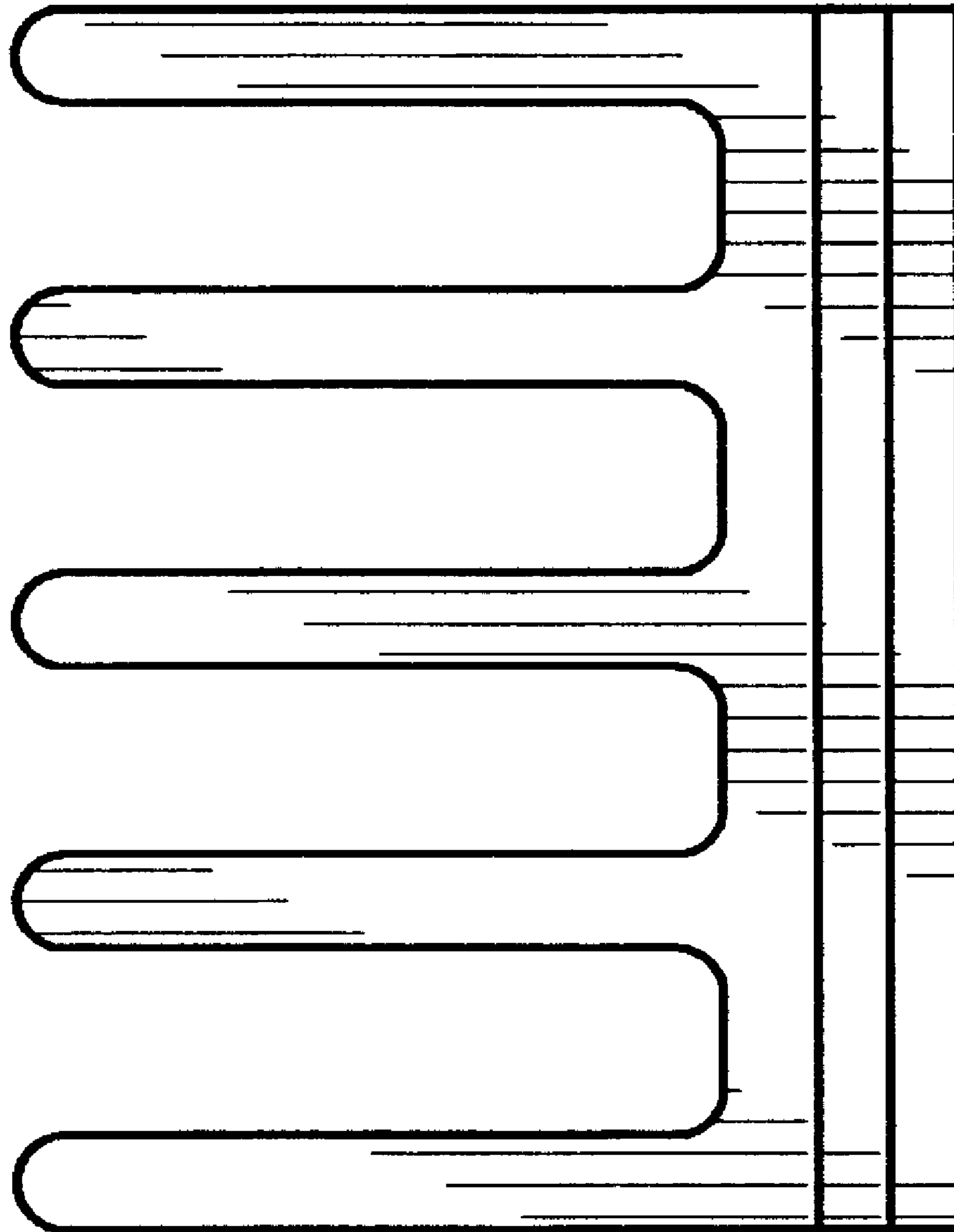


FIG. 9

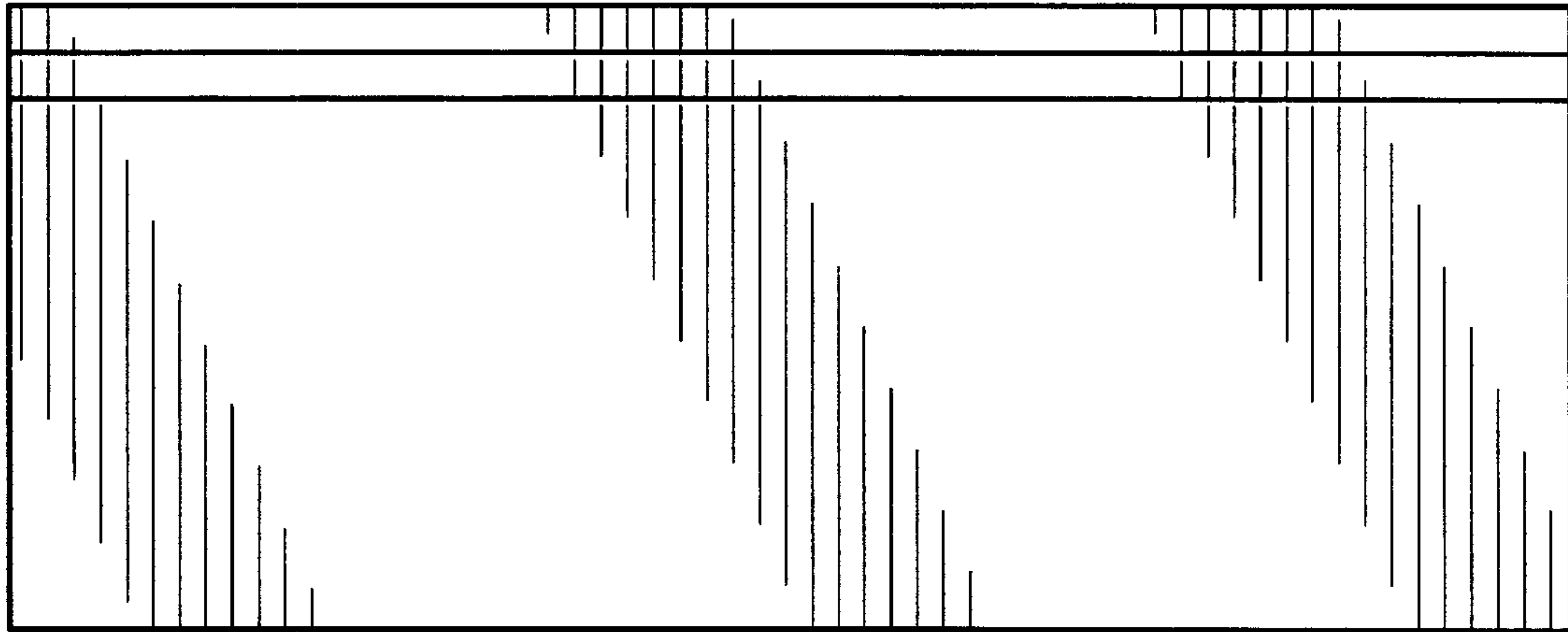


FIG. 10