



US00D532147S

(12) **United States Design Patent** (10) **Patent No.:** **US D532,147 S**
Crosby (45) **Date of Patent:** **** Nov. 14, 2006**

- (54) **LIGHTING SHADE**
- (75) Inventor: **Doyle Crosby**, San Rafael, CA (US)
- (73) Assignee: **Boyd Lighting Fixture Company**, San Francisco, CA (US)
- (**) Term: **14 Years**
- (21) Appl. No.: **29/213,825**
- (22) Filed: **Sep. 23, 2004**
- (51) **LOC (8) Cl.** **26-99**
- (52) **U.S. Cl.** **D26/118**
- (58) **Field of Classification Search** D26/113-136;
362/147, 341, 186, 297, 351, 235, 309; 16/422;
D30/199; D25/57; D7/515, 402, 366; D11/164,
D11/143, 155
See application file for complete search history.

Sketch of Lighting Fixture B-9520 by John Sweet, Sr., sold in the 1960's.
 Sketch of Lighting Fixture B-9530 by John Sweet, Sr., sold in the 1960's.
 Sketch of Lighting Fixture B-9555 by John Sweet, Sr., sold in the 1960's.
 Sketch of Lighting Fixture B-9571 by John Sweet, Sr., sold in the 1960's.
 Sketch of Lighting Fixture B-9601 by John Sweet, Sr., sold in the 1960's.
 Sketch of Lighting Fixture B-9646 by John Sweet, Sr., sold in the 1960's.
 Sketch of Lighting Fixture B-9649 by John Sweet, Sr., sold in the 1960's.
 Sketch of Lighting Fixture B-9730 by John Sweet, Sr., sold in the 1960's.
 Crosby, "Lighting Shade," pending U.S. Appl. No. 29/213, 834, filed Sep. 23, 2004.
 Crosby, "Lighting Shade," pending U.S. Appl. No. 29/213, 824, filed Sep. 23, 2004.

(56) **References Cited**

U.S. PATENT DOCUMENTS

49,075 A *	8/1865	Pearlman	172/435
D78,996 S *	7/1929	Zweig	D26/129
D153,432 S *	4/1949	Heisey	D7/531
D214,080 S *	5/1969	Mori	D26/134
D238,295 S *	12/1975	Tongson	D26/134
D243,472 S *	2/1977	Leung	D26/137
D384,222 S *	9/1997	Cheng	D6/403
D393,919 S *	4/1998	Dolan	D26/136
6,398,390 B1 *	6/2002	Schacht	362/356
D462,293 S *	9/2002	Bates et al.	D11/146
D478,778 S *	8/2003	Jarvis et al.	D7/509
D484,435 S *	12/2003	Kimball	D11/164

OTHER PUBLICATIONS

The Gamble House, by Greene and Greene, Pasadena, California, copy of photographs, displayed in Pasadena, California, built in 1908 (2 pages).
 Sketch of Concert Hall designed by Charles Rennie Macintosh approximately 1900, and photographs of 3-D model made in about 1999 (1 page).
 Sketech and photograph of Lighting Fixture B-9444 by John Sweet, Sr., sold in the 1960's.
 Sketch of Lighting Fixture B-9470 by John Sweet, Sr., sold in the 1960's.

* cited by examiner

Primary Examiner—Freda S. Nunn
Assistant Examiner—Kevin K. Rudzinski
 (74) *Attorney, Agent, or Firm*—Heslin Rothenberg Farley & Mesiti P.C.

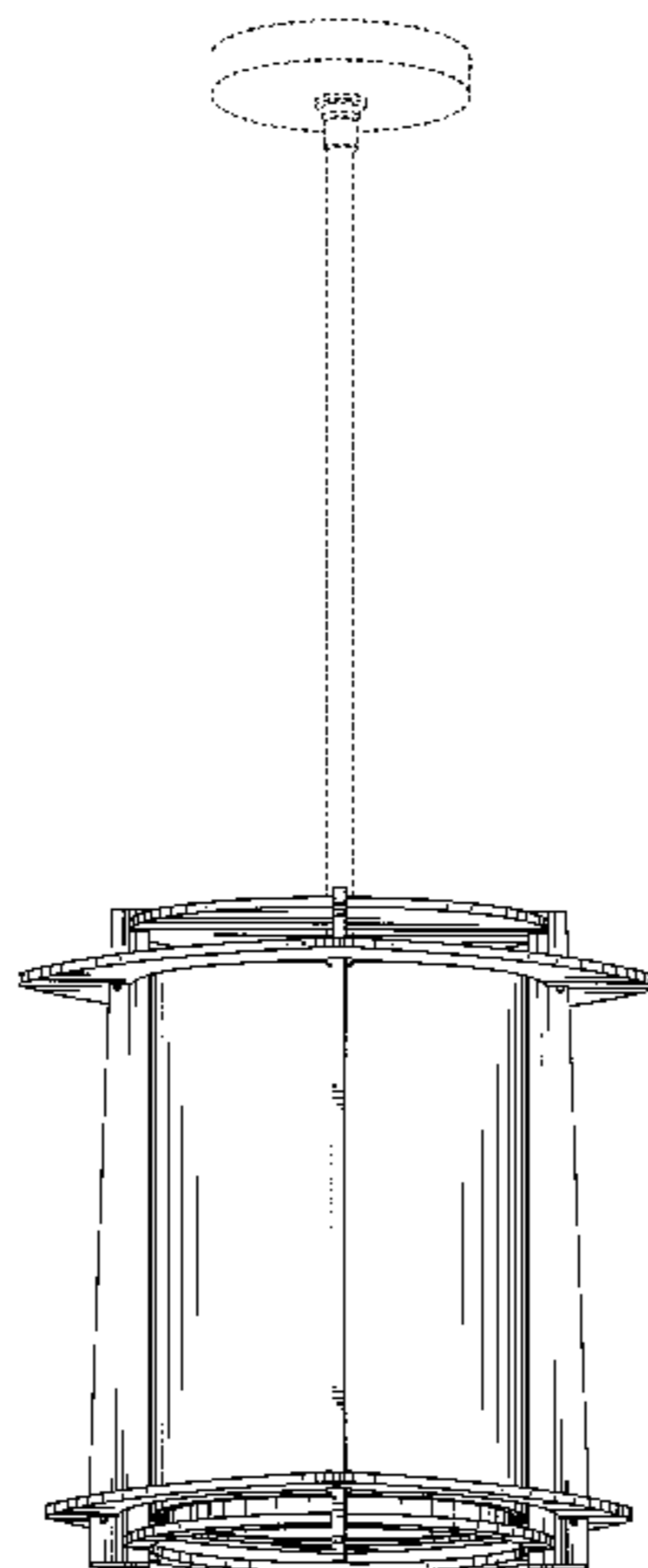
(57) **CLAIM**

The ornamental design for a lighting shade, as shown and described.

DESCRIPTION

FIG. 1 is a front perspective view of a lighting shade comprising the new design;
 FIG. 2 is a front elevational view thereof, a rear elevational view being a mirror image thereof;
 FIG. 3 is a left side elevational view thereof, a right side elevational view being a mirror image thereof;
 FIG. 4 is top view thereof;
 FIG. 5 is a bottom view thereof; and,
 FIG. 6 is a front perspective view of the lighting shade of FIG. 1 configured as a table lamp.
 The broken lines are for illustrative purposes only and form no part of the claimed design.

1 Claim, 6 Drawing Sheets



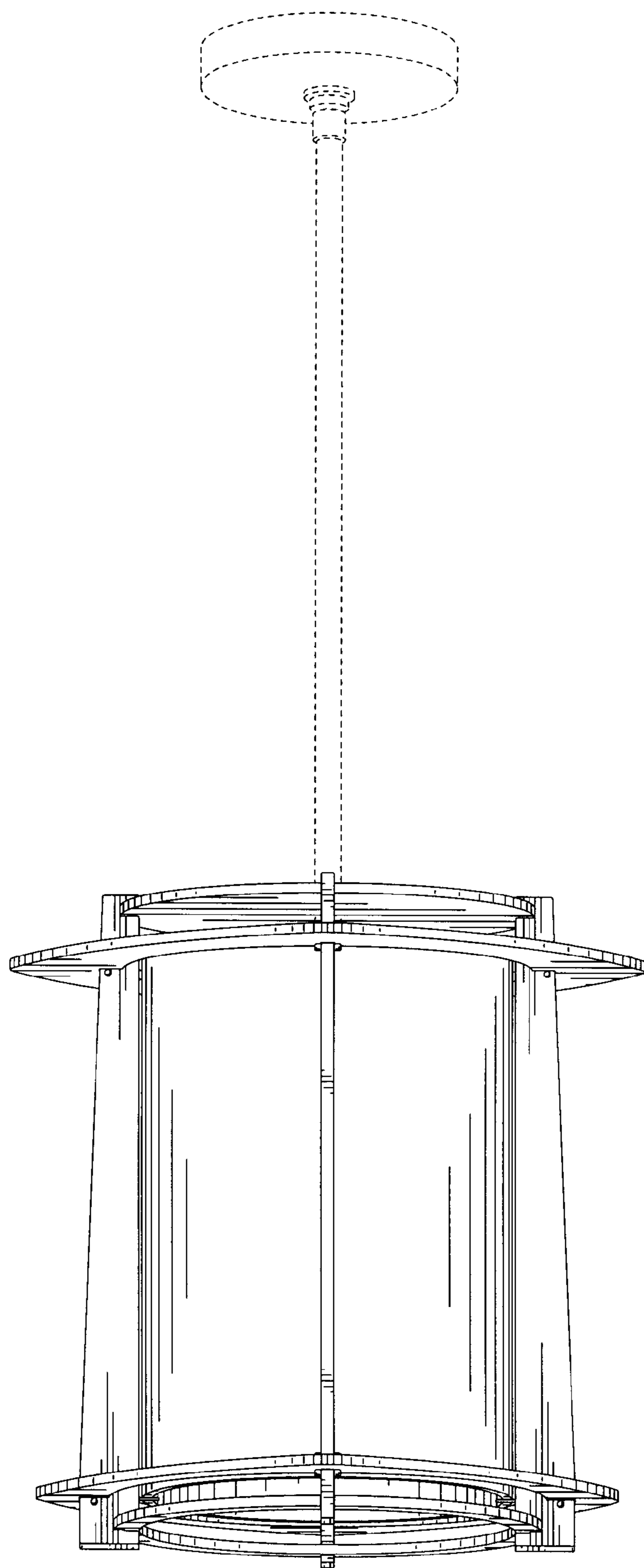


FIG. 1

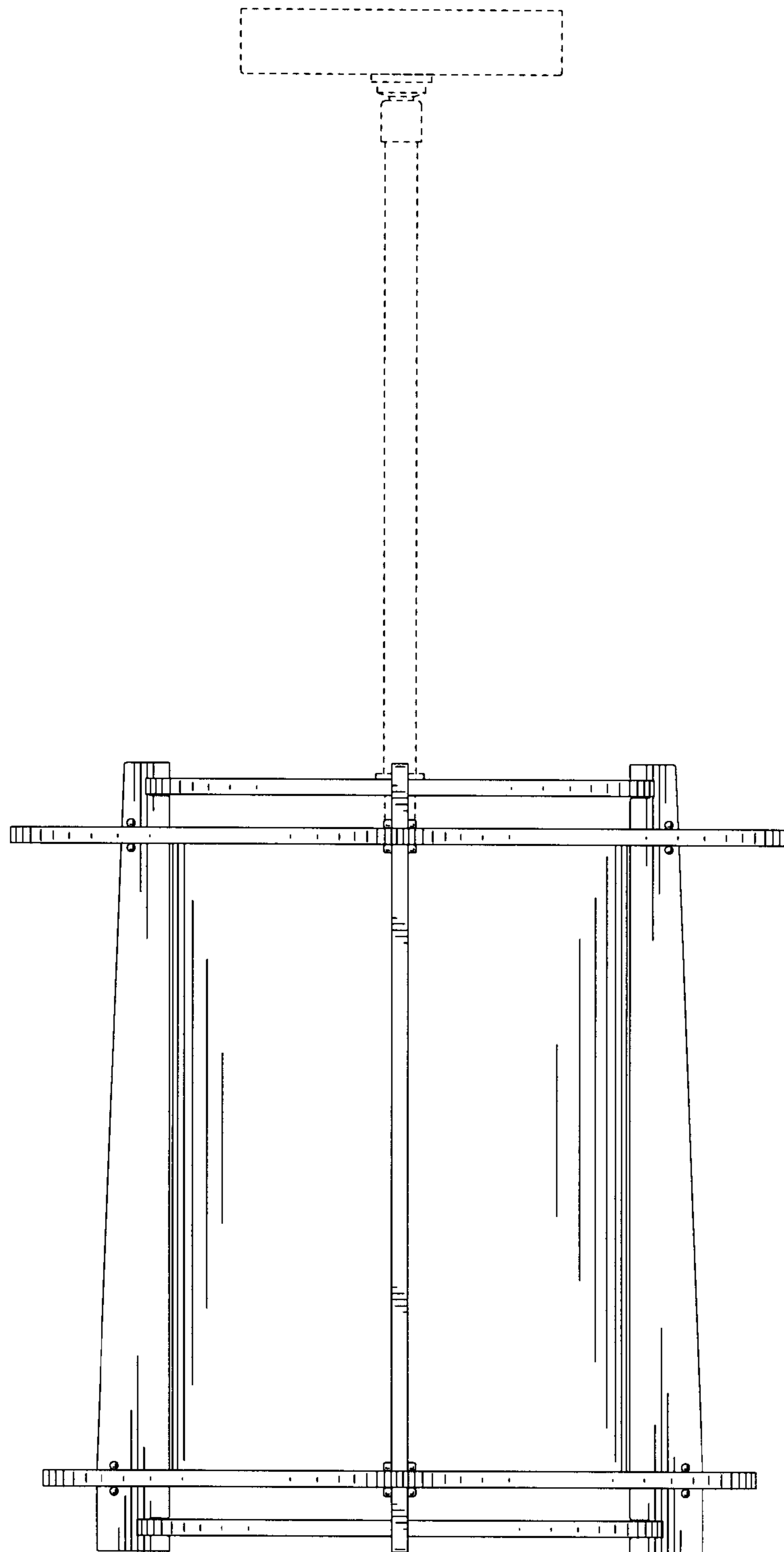


FIG. 2

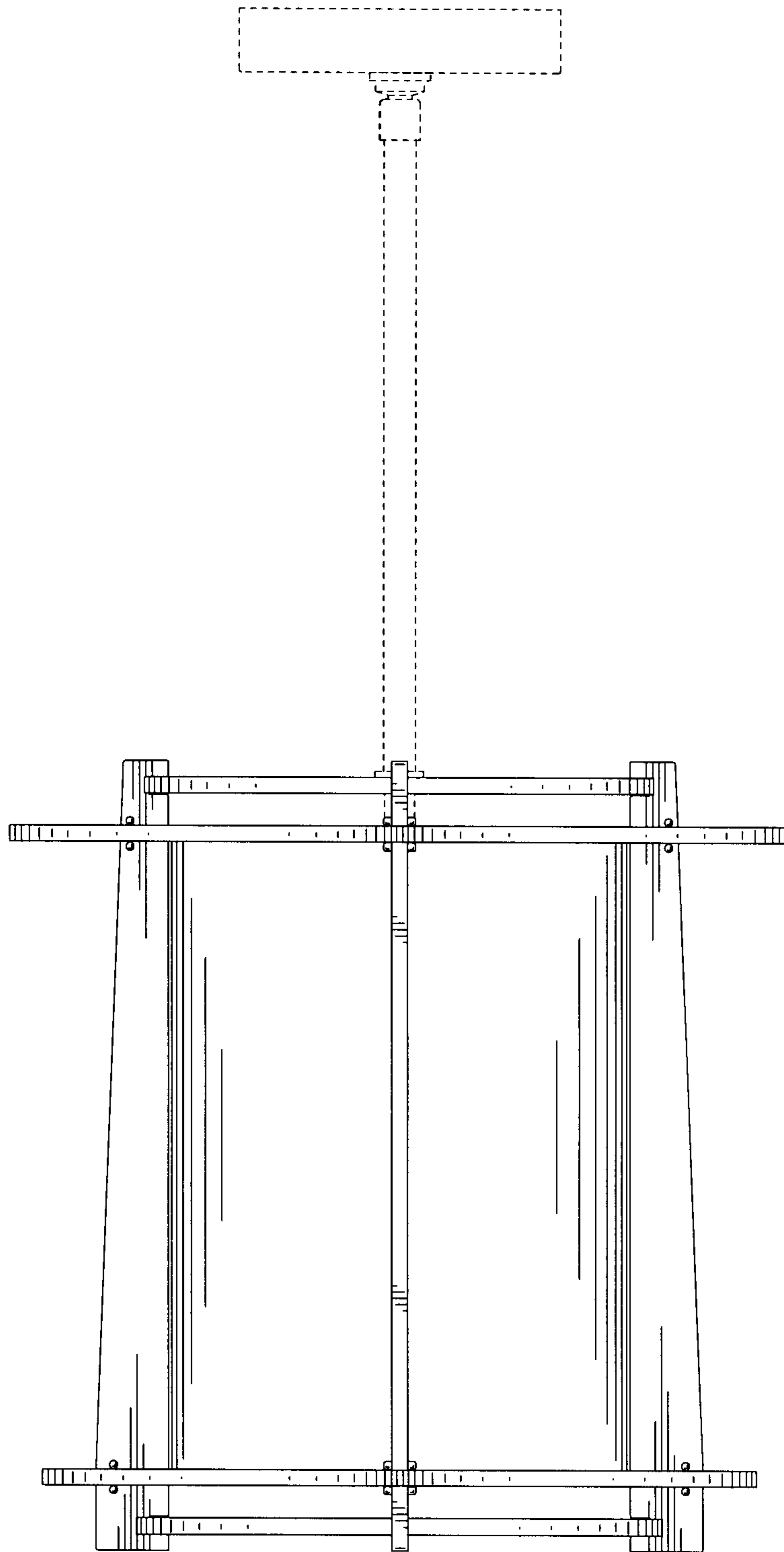


FIG. 3

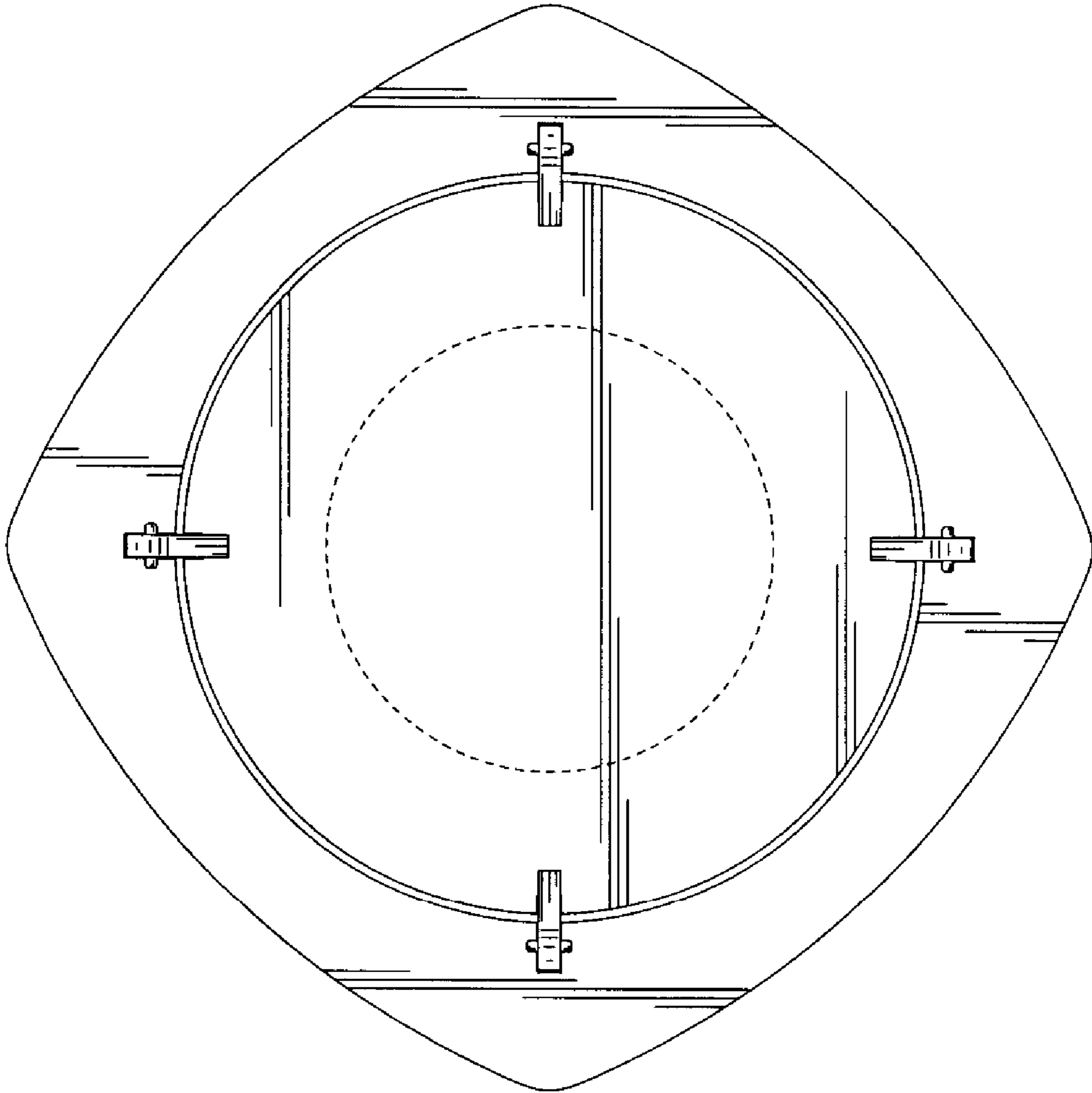


FIG. 4

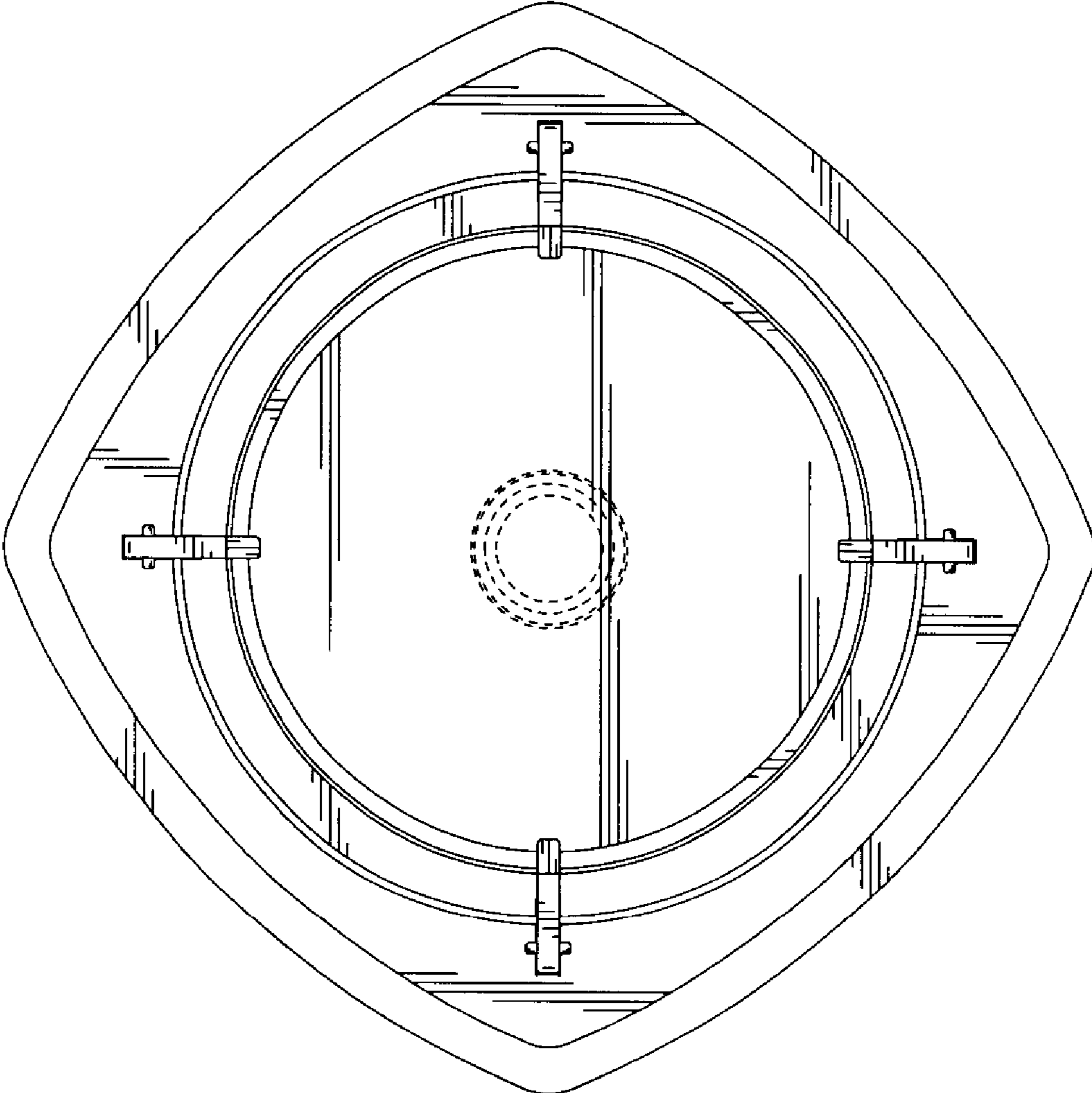


FIG. 5

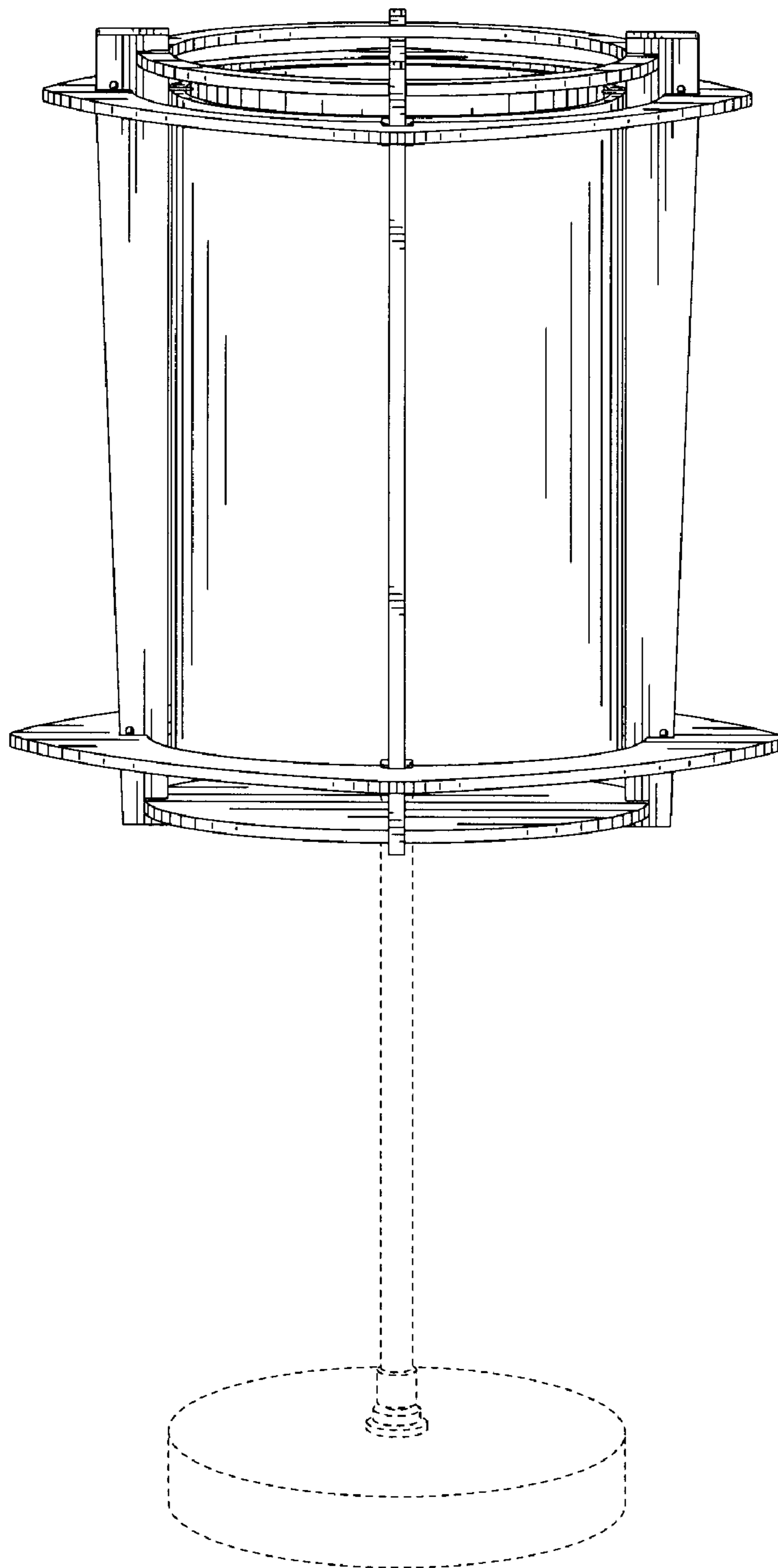


FIG. 6