



US00D532146S

(12) **United States Design Patent** (10) **Patent No.:** **US D532,146 S**
Crosby (45) **Date of Patent:** **** Nov. 14, 2006**

(54) **LIGHTING SHADE**

(75) Inventor: **Doyle Crosby**, San Rafael, CA (US)

(73) Assignee: **Boyd Lighting Fixture Company**, San Francisco, CA (US)

(**) Term: **14 Years**

(21) Appl. No.: **29/213,824**

(22) Filed: **Sep. 23, 2004**

(51) **LOC (8) Cl.** **26-99**

(52) **U.S. Cl.** **D26/118**

(58) **Field of Classification Search** D26/113-136;
362/147, 341, 186, 297, 351, 235, 309; 16/422;
D30/199; D25/57; D7/515, 402, 366; D11/164,
D11/143, 155

See application file for complete search history.

(56) **References Cited**

U.S. PATENT DOCUMENTS

49,075	A	*	8/1865	Pearlman	172/435
D78,996	S	*	7/1929	Zweig	D26/129
D153,432	S	*	4/1949	Heisey	D7/531
D214,080	S	*	5/1969	Mori	D26/134
D238,295	S	*	12/1975	Tongson	D26/134
D243,472	S	*	2/1977	Leung	D26/137
D384,222	S	*	9/1997	Cheng	D6/403

(Continued)

OTHER PUBLICATIONS

The Gamble House, by Greene and Greene, Pasadena, California, copy of photographs, displayed in Pasadena, California, built in 1908 (2 pages).*

Sketch of Concert Hall designed by Charles Rennie Mackintosh approximately 1900, and photographs of 3-D model made in about 1999 (1 page).*

Sketch and photograph of Lighting Fixture B-9444 by John Sweet, Sr., sold in the 1960's.*

Sketch of Lighting Fixture B-9470 by John Sweet, Sr., sold in the 1960's.*

Sketch of Lighting Fixture B-9520 by John Sweet, Sr., sold in the 1960's.*

Sketch of Lighting Fixture B-9530 by John Sweet, Sr., sold in the 1960's.*

Sketch of Lighting Fixture B-9555 by John Sweet, Sr., sold in the 1960's.*

Sketch of Lighting Fixture B-9571 by John Sweet, Sr., sold in the 1960's.*

Sketch of Lighting Fixture B-9601 by John Sweet, Sr., sold in the 1960's.*

Sketch of Lighting Fixture B-9646 by John Sweet, Sr., sold in the 1960's.*

Sketch of Lighting Fixture B-9649 by John Sweet, Sr., sold in the 1960's.*

Sketch of Lighting Fixture B-9730 by John Sweet, Sr., sold in the 1960's.*

Crosby, "Lighting Shade," pending U.S. Appl. No. 29/213, 834, filed Sep. 23, 2004.

Crosby, "Lighting Shade," pending U.S. Appl. No. 29/213, 825, filed Sep. 23, 2004.

Primary Examiner—Freda S. Nunn

Assistant Examiner—Kevin K. Rudzinski

(74) *Attorney, Agent, or Firm*—Heslin Rothenberg Farley & Mesiti, P.C.

(57) **CLAIM**

The ornamental design for a lighting shade, as shown and described.

DESCRIPTION

FIG. 1 is a front perspective view of a lighting shade comprising the new design;

FIG. 2 is a front elevational view thereof, a rear elevational view being a mirror image thereof;

FIG. 3 is a left side elevational view thereof, a right side elevational view being a mirror image thereof;

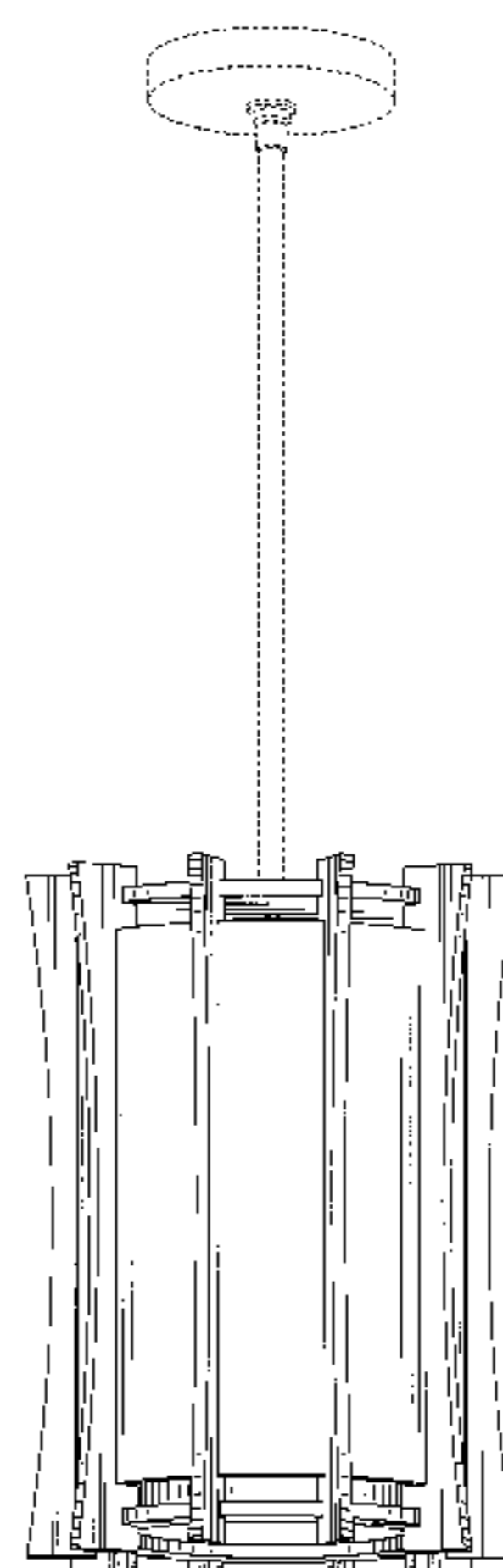
FIG. 4 is top view thereof;

FIG. 5 is a bottom view thereof; and,

FIG. 6 is a front perspective view of the lighting shade of FIG. 1 configured as a table lamp.

The broken lines are for illustrative purposes only and form no part of the claimed design.

1 Claim, 6 Drawing Sheets



US D532,146 S

Page 2

U.S. PATENT DOCUMENTS

D393,919 S *	4/1998	Dolan	D26/136	D478,778 S *	8/2003	Jarvis et al.	D7/509
6,398,390 B1 *	6/2002	Schacht	362/356	D484,435 S *	12/2003	Kimball	D11/164
D462,293 S *	9/2002	Bates et al.	D11/146	* cited by examiner			

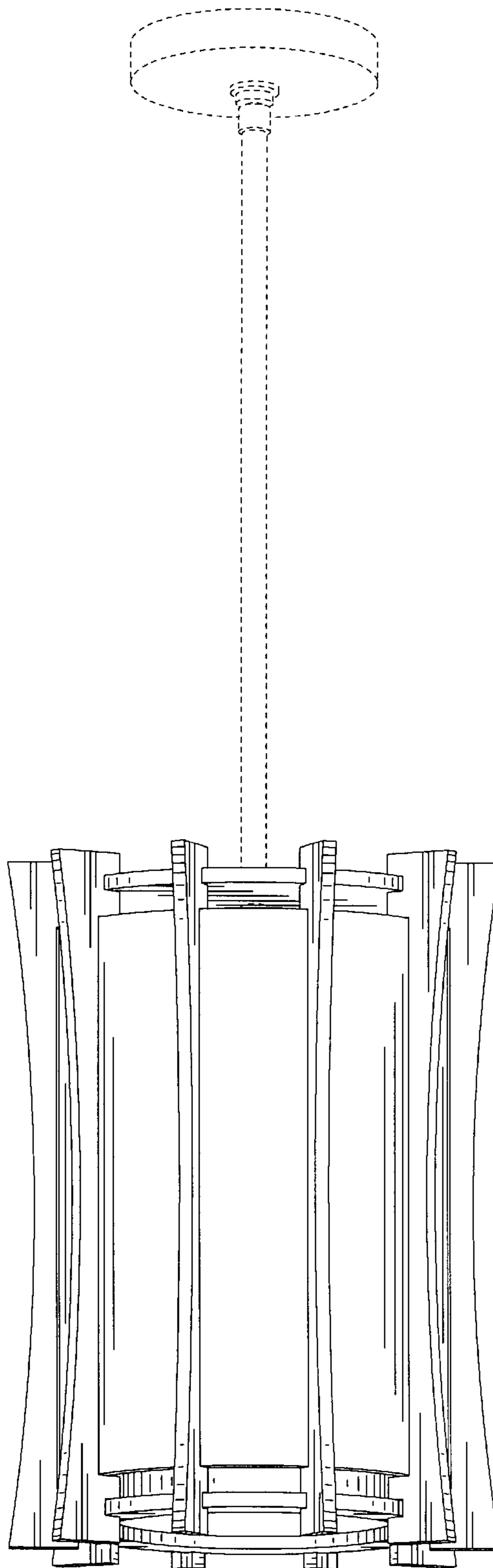


FIG. 1

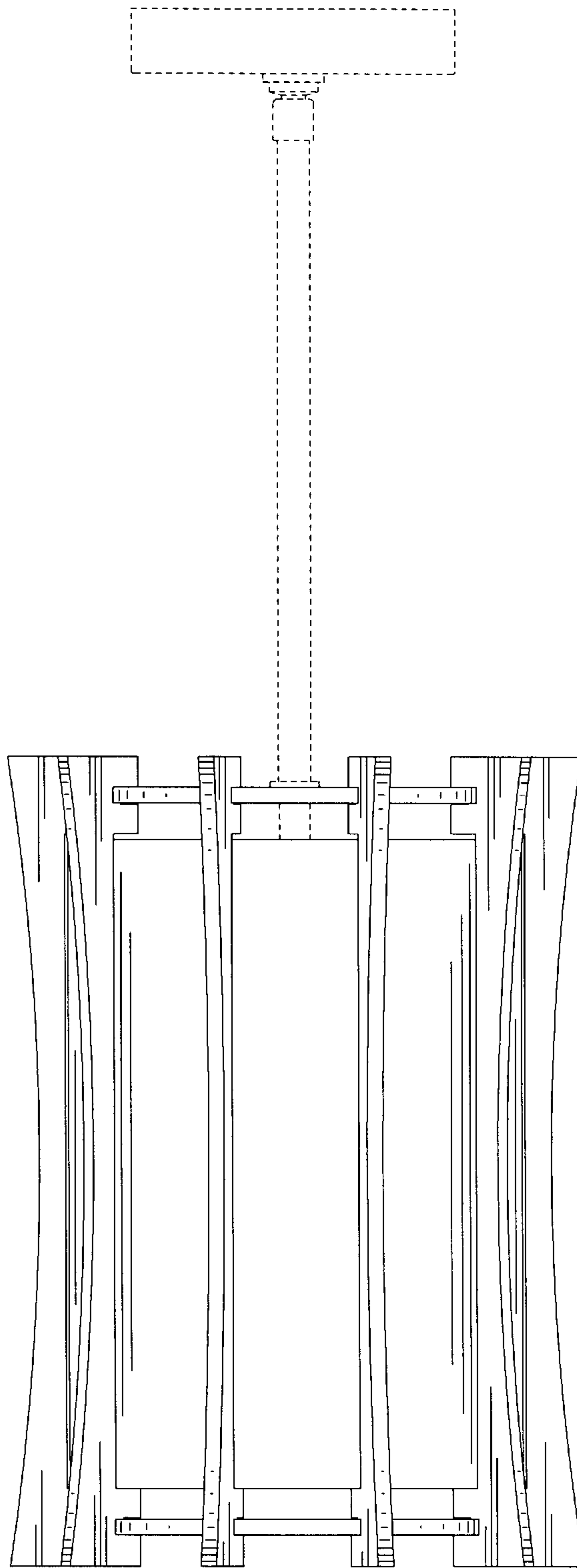


FIG. 2

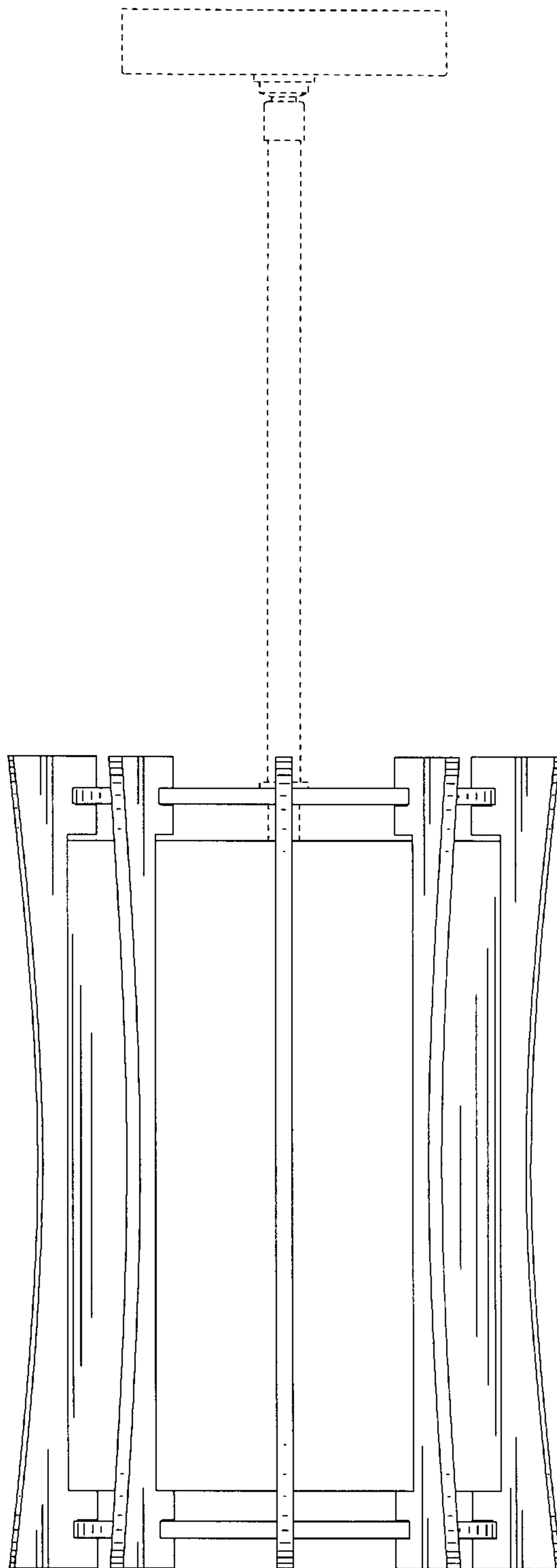


FIG. 3

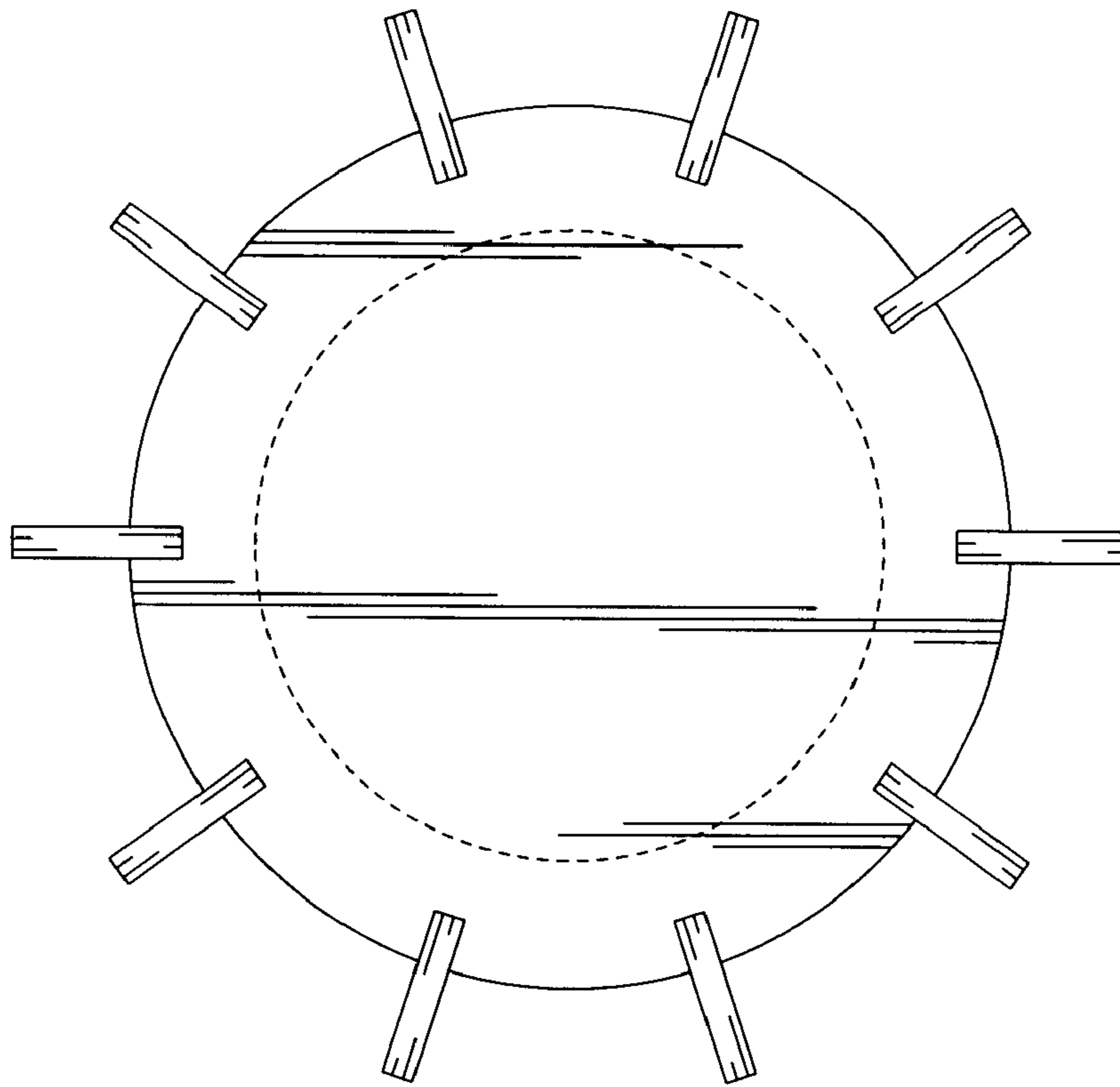


FIG. 4

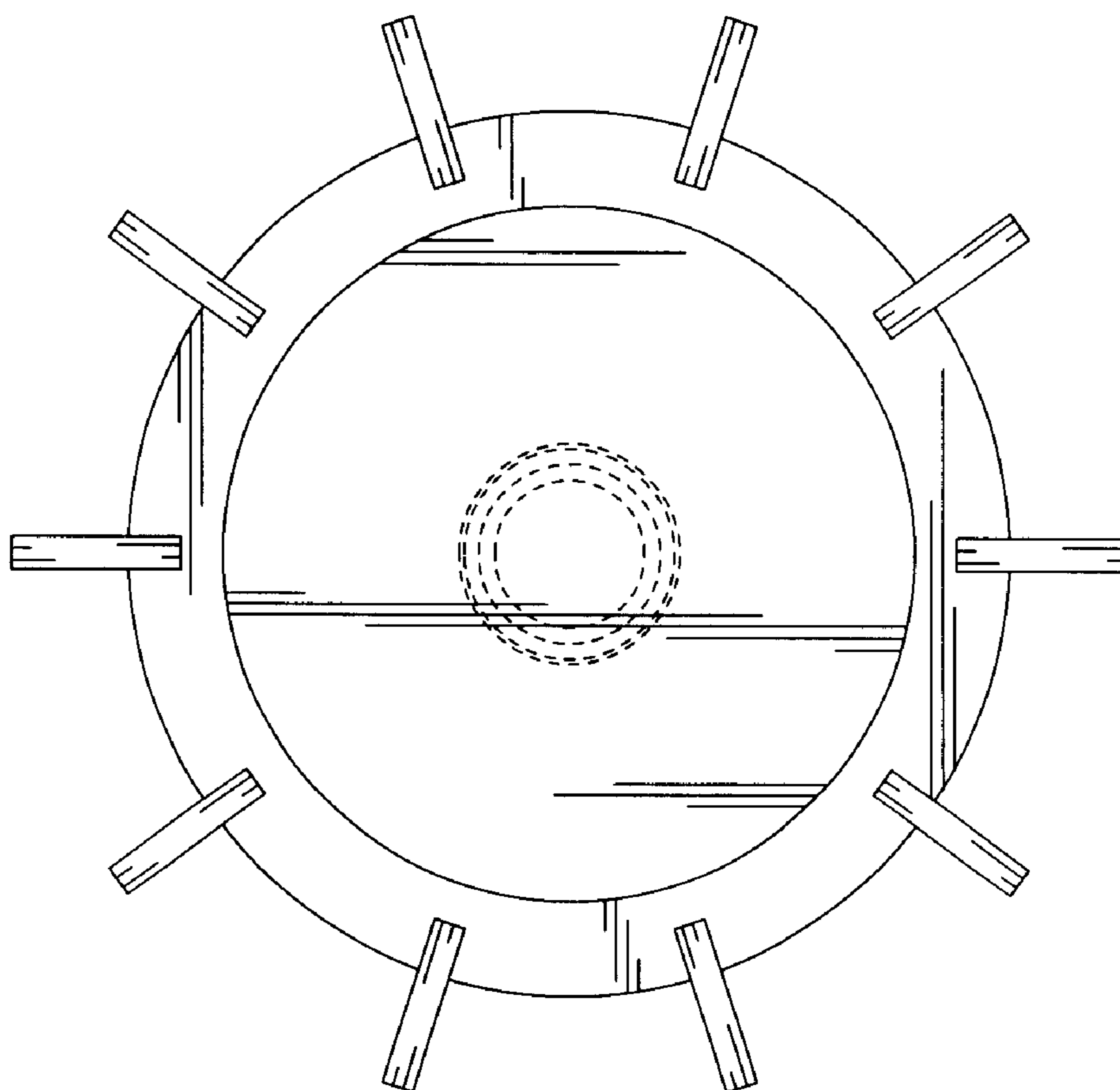


FIG. 5

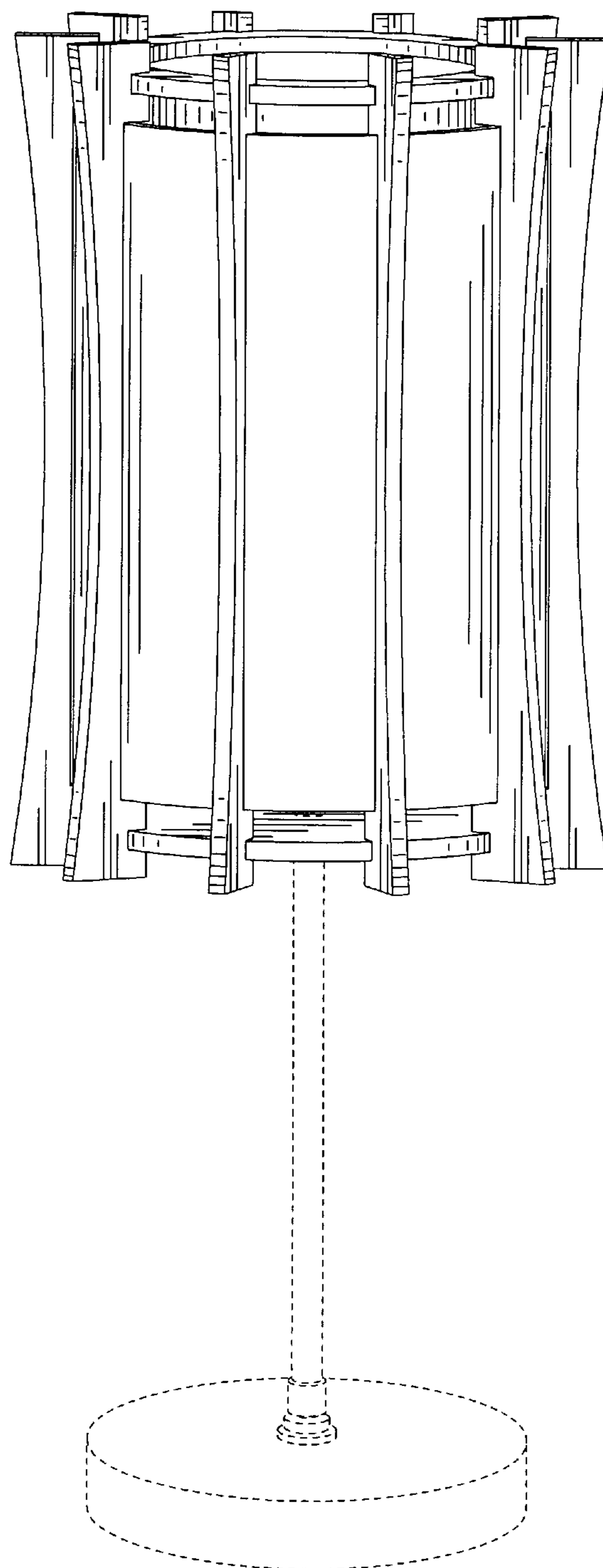


FIG. 6