



US00D532142S

(12) **United States Design Patent** (10) **Patent No.:** **US D532,142 S**  
**Matsui et al.** (45) **Date of Patent:** **\*\* Nov. 14, 2006**

(54) **LIGHT EMITTING DIODE LAMP UNIT** D494,687 S 8/2004 Matsui et al.

(75) Inventors: **Nobuyuki Matsui**, Ibaraki (JP); **Hideo Nagai**, Takatsuki (JP); **Kenji Mukai**, Shijonawate (JP); **Masanori Shimizu**, Kyotanabe (JP)

(73) Assignee: **Matsushita Electric Industrial Co., Ltd.**, Osaka (JP)

(\*\*) Term: **14 Years**

(21) Appl. No.: **29/219,414**

(22) Filed: **Dec. 16, 2004**

(30) **Foreign Application Priority Data**

Jun. 18, 2004 (JP) ..... 2004-018303  
Jun. 18, 2004 (JP) ..... 2004-018304

(51) **LOC (8) Cl.** ..... **26-03**

(52) **U.S. Cl.** ..... **D26/80; D26/138; D26/2**

(58) **Field of Classification Search** ..... D26/2,  
D26/80, 86, 138; D13/180, 182; 313/512;  
362/555, 612, 800, 231, 235, 237, 240, 241,  
362/249, 545; 345/83

See application file for complete search history.

(56) **References Cited**

**U.S. PATENT DOCUMENTS**

D245,240 S \* 8/1977 Sut ..... D26/80  
D246,203 S \* 10/1977 Harris ..... D26/80  
D262,405 S 12/1981 Zabransky  
5,808,592 A 9/1998 Mizutani et al.  
6,220,722 B1 4/2001 Begemann  
6,502,956 B1 1/2003 Wu  
D474,848 S 5/2003 Lodhie  
6,659,632 B1 12/2003 Chen  
D494,286 S 8/2004 Matsui et al.  
D494,287 S 8/2004 Matsui et al.  
D494,288 S 8/2004 Matsui et al.

**FOREIGN PATENT DOCUMENTS**

JP D1182538 8/2003  
JP D1182540 8/2003  
JP D1182541 8/2003  
JP D1182542 8/2003  
JP D1182543 8/2003  
JP D1183708 9/2003  
JP D1190712 11/2003  
JP D1191624 12/2003

\* cited by examiner

*Primary Examiner*—Clare E Heflin

(74) *Attorney, Agent, or Firm*—Brinks Hofer Gilson & Lione

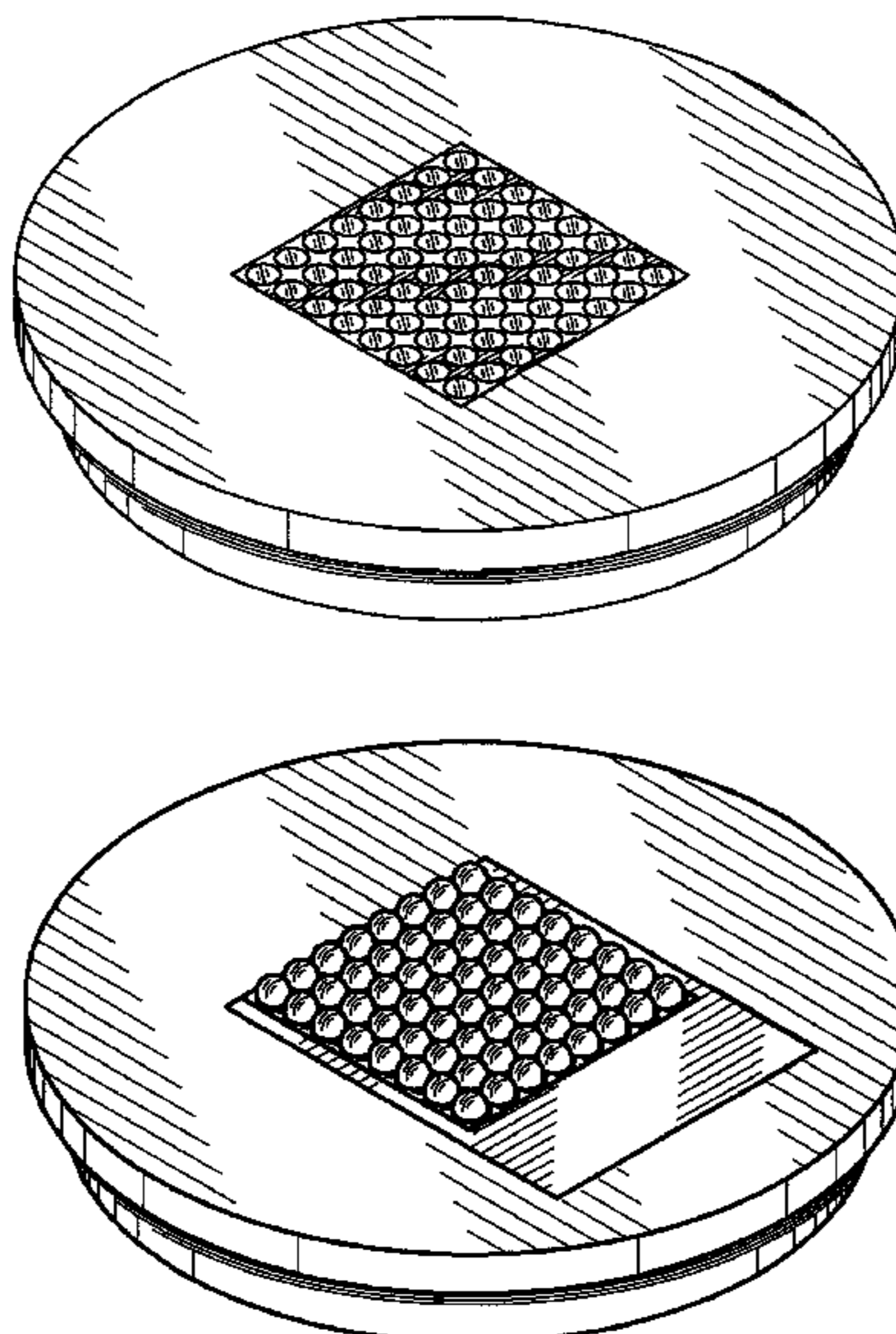
(57) **CLAIM**

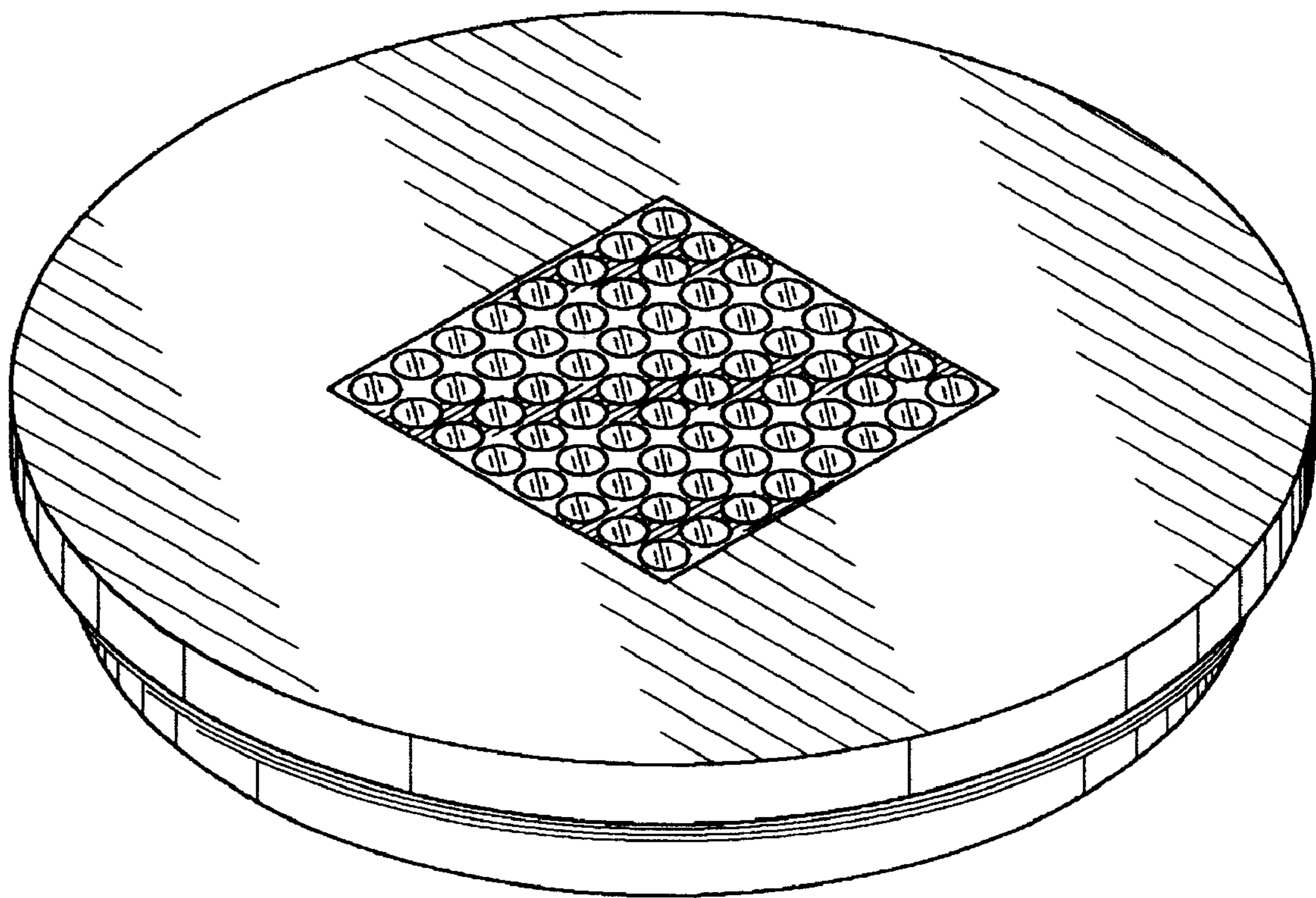
We claim the ornamental design for a light emitting diode lamp unit, as shown and described.

**DESCRIPTION**

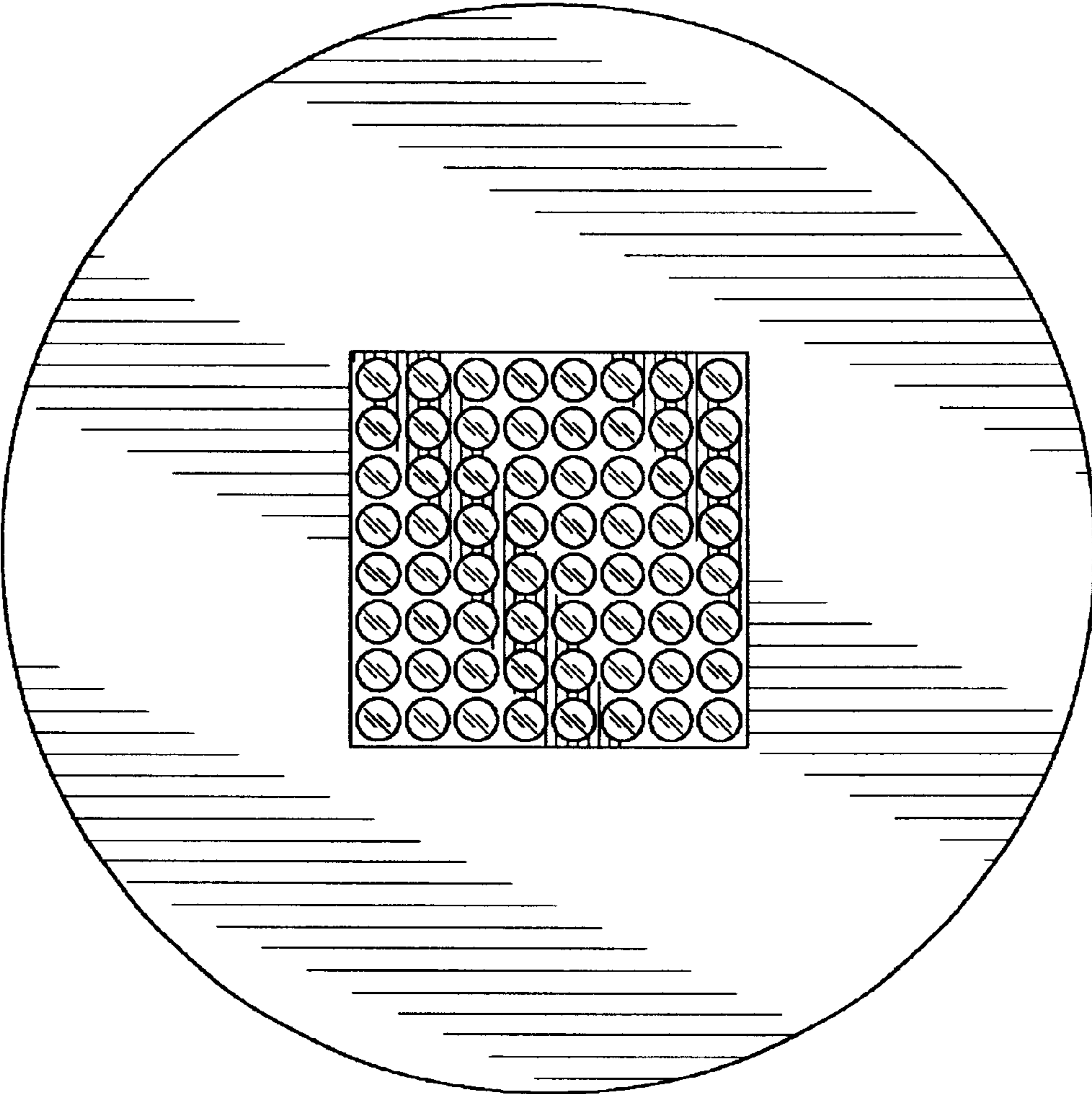
FIG. 1 is a top perspective view of first embodiment of a light emitting diode lamp unit of the present invention; FIG. 2 is a top view thereof; FIG. 3 is a bottom view thereof; FIG. 4 is a first side view thereof, wherein the second side view is a mirror image thereof; FIG. 5 is a third side view thereof, wherein the fourth side view is a mirror image thereof; FIG. 6 is a top perspective view of second embodiment of a light emitting diode lamp unit of the present invention; FIG. 7 is a top view thereof; FIG. 8 is a bottom view thereof; FIG. 9 is a first side view thereof, wherein the second side view is a mirror image thereof; and, FIG. 10 is a third side view thereof, wherein the fourth side view is a mirror image thereof.

**1 Claim, 10 Drawing Sheets**

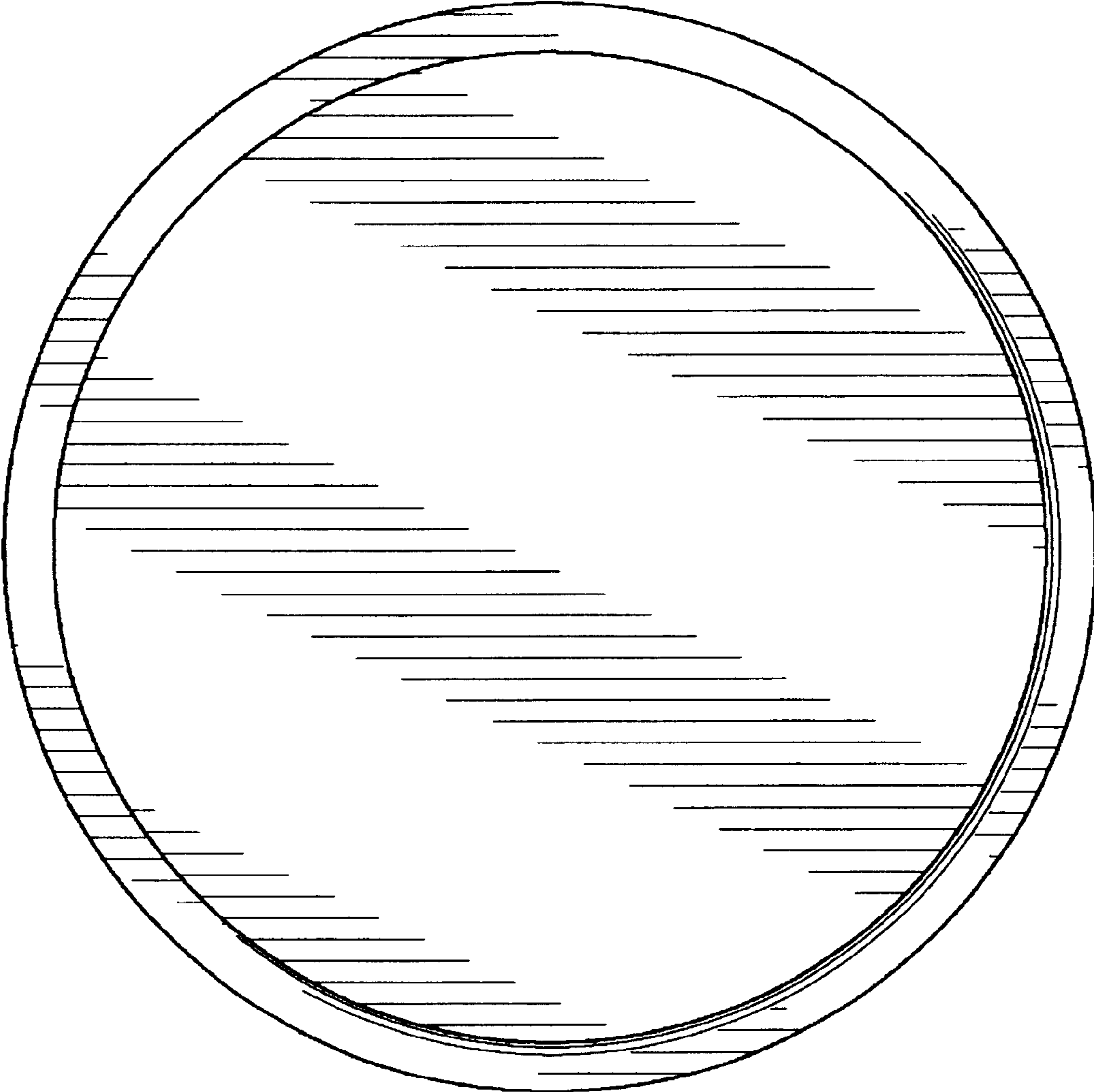




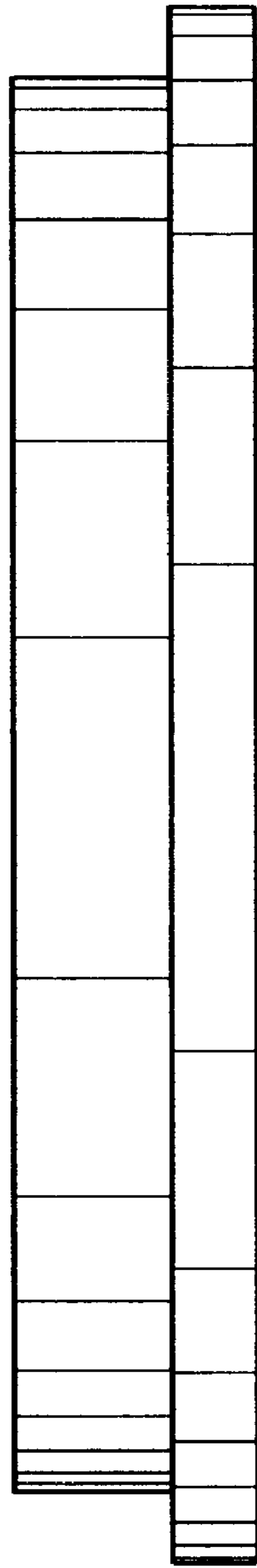
**FIG. 1**



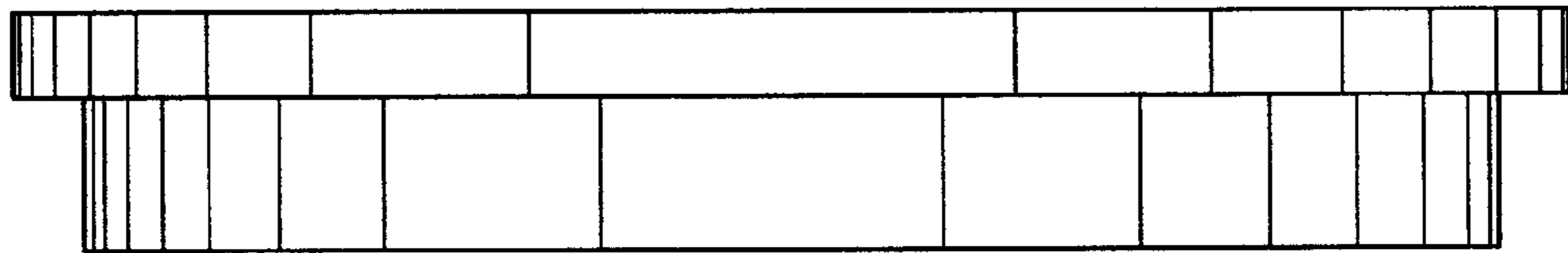
**FIG. 2**



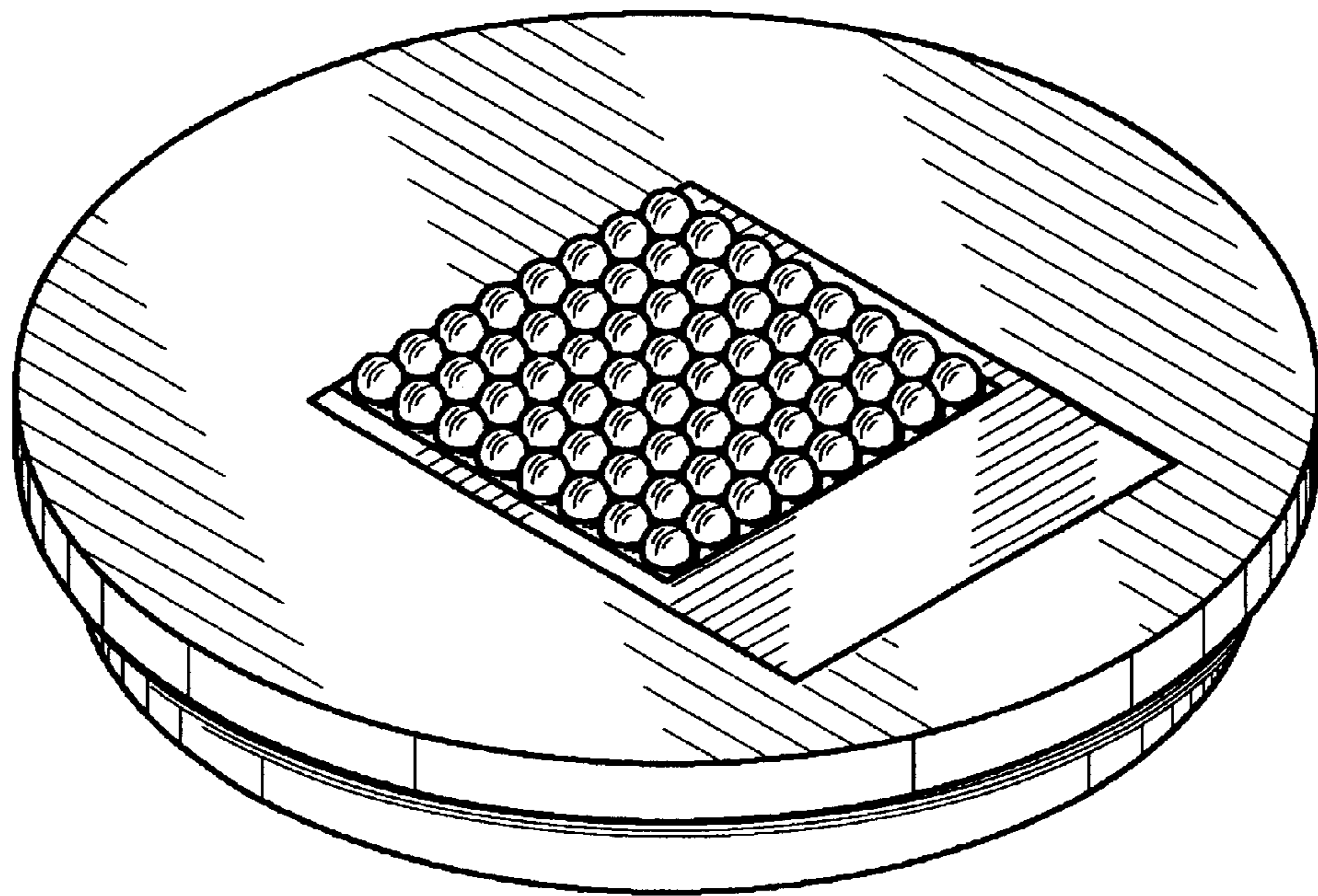
**FIG. 3**



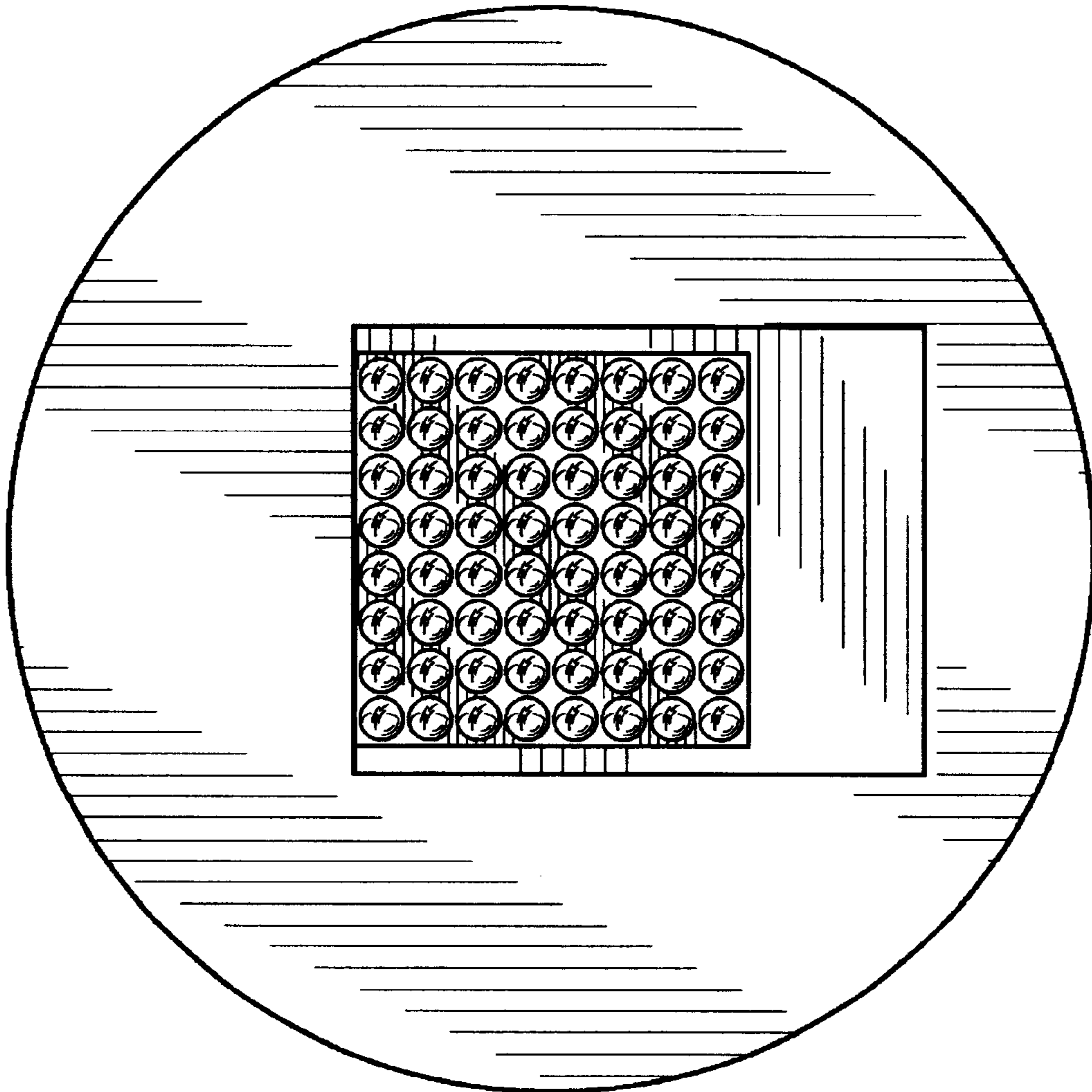
**FIG. 4**



**FIG. 5**

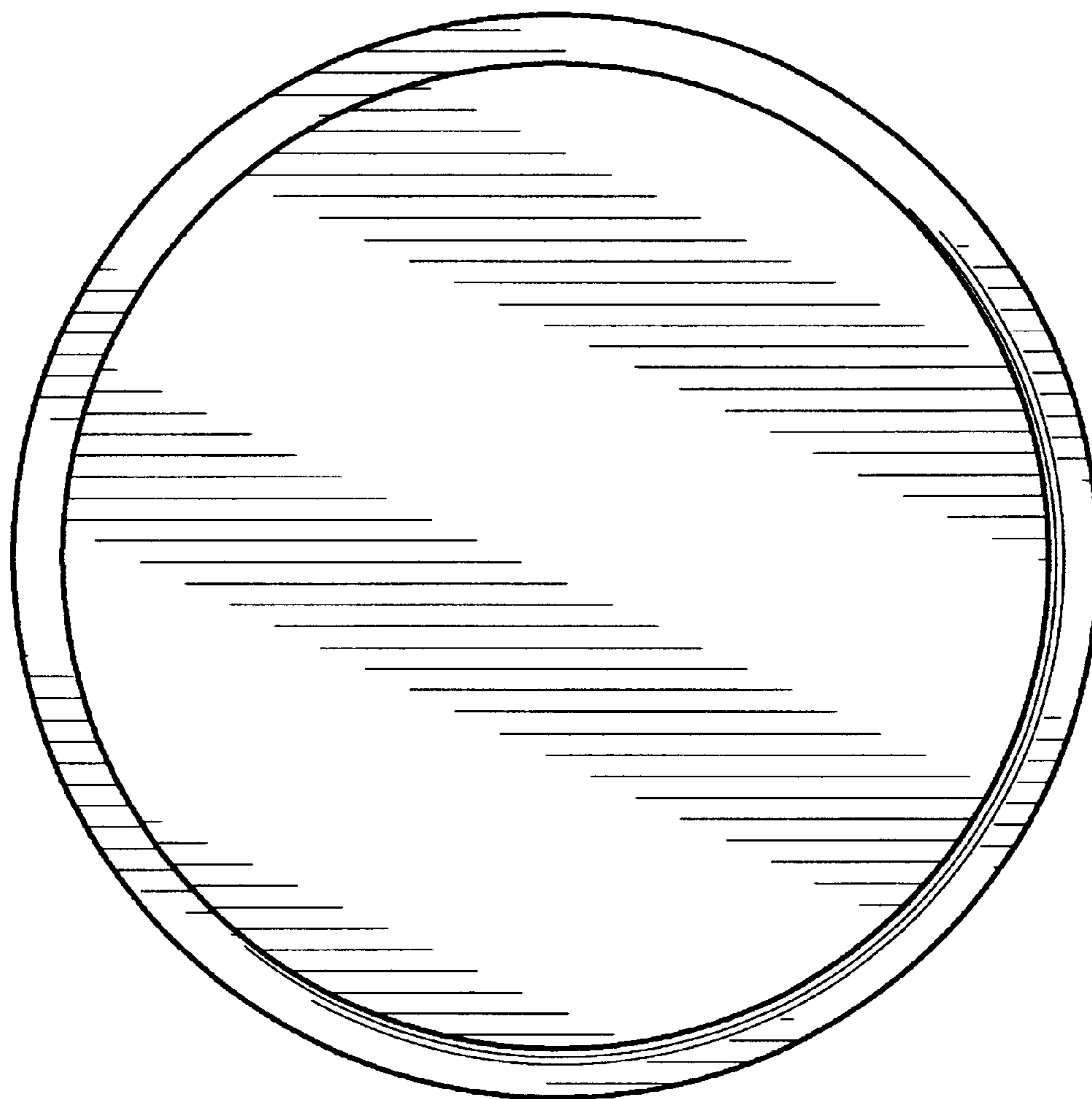


**FIG. 6**

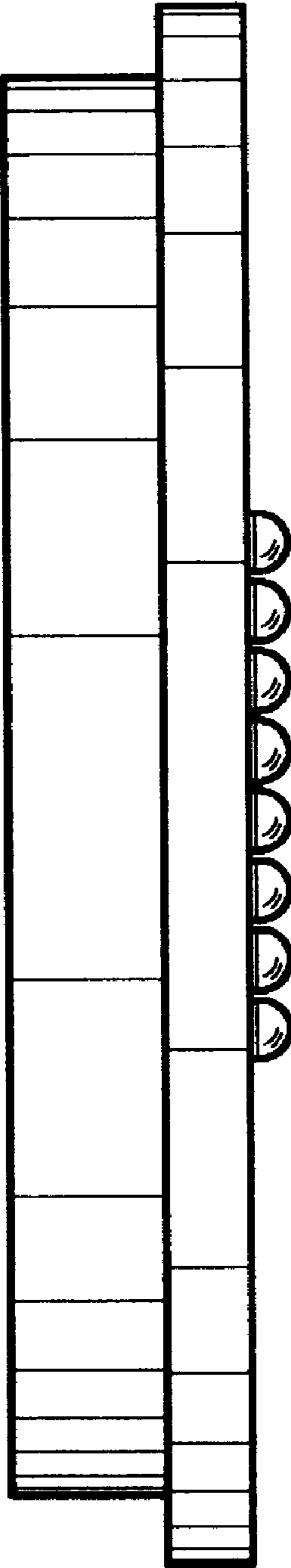


**FIG. 7**

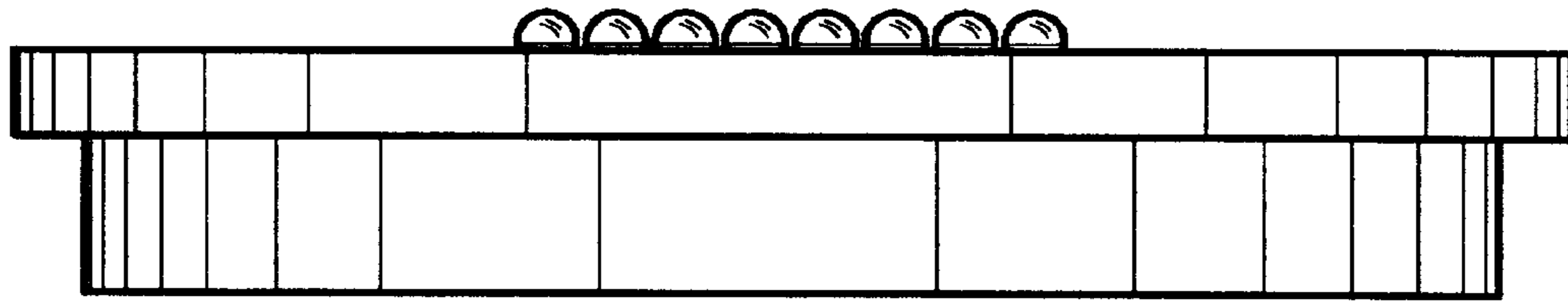




**FIG. 8**



**FIG. 9**



**FIG. 10**