



US00D532139S

(12) **United States Design Patent**  
**Shurtleff**

(10) **Patent No.:** **US D532,139 S**

(45) **Date of Patent:** **\*\* Nov. 14, 2006**

(54) **CEILING FAN LIGHT KIT**

(75) Inventor: **Mark Shurtleff**, Long Beach, CA (US)

(73) Assignee: **Air Cool Industrial Co., Ltd.**,  
Taichung Hsien (TW)

(\*\*) Term: **14 Years**

(21) Appl. No.: **29/241,834**

(22) Filed: **Nov. 2, 2005**

(51) **LOC (8) Cl.** ..... **26-05**

(52) **U.S. Cl.** ..... **D26/59**

(58) **Field of Classification Search** ..... D26/59,  
D26/51, 72, 80-86, 73; D23/377, 379, 385,  
D23/411; 362/96; 416/5

See application file for complete search history.

(56) **References Cited**

**U.S. PATENT DOCUMENTS**

D421,799 S \* 3/2000 Zuege ..... D23/377  
D452,908 S \* 1/2002 Dolan ..... D23/411

\* cited by examiner

*Primary Examiner*—Lisa Lichtenstein

(74) *Attorney, Agent, or Firm*—Troxell Law Office, PLLC

(57) **CLAIM**

The ornamental design for a ceiling fan light kit, as shown and described.

**DESCRIPTION**

FIG. 1 is a perspective view of a ceiling fan light kit showing my new design;

FIG. 2 is a front end elevation view thereof;

FIG. 3 is a rear end elevation view thereof;

FIG. 4 is a left side elevation view thereof;

FIG. 5 is a right side elevation view thereof;

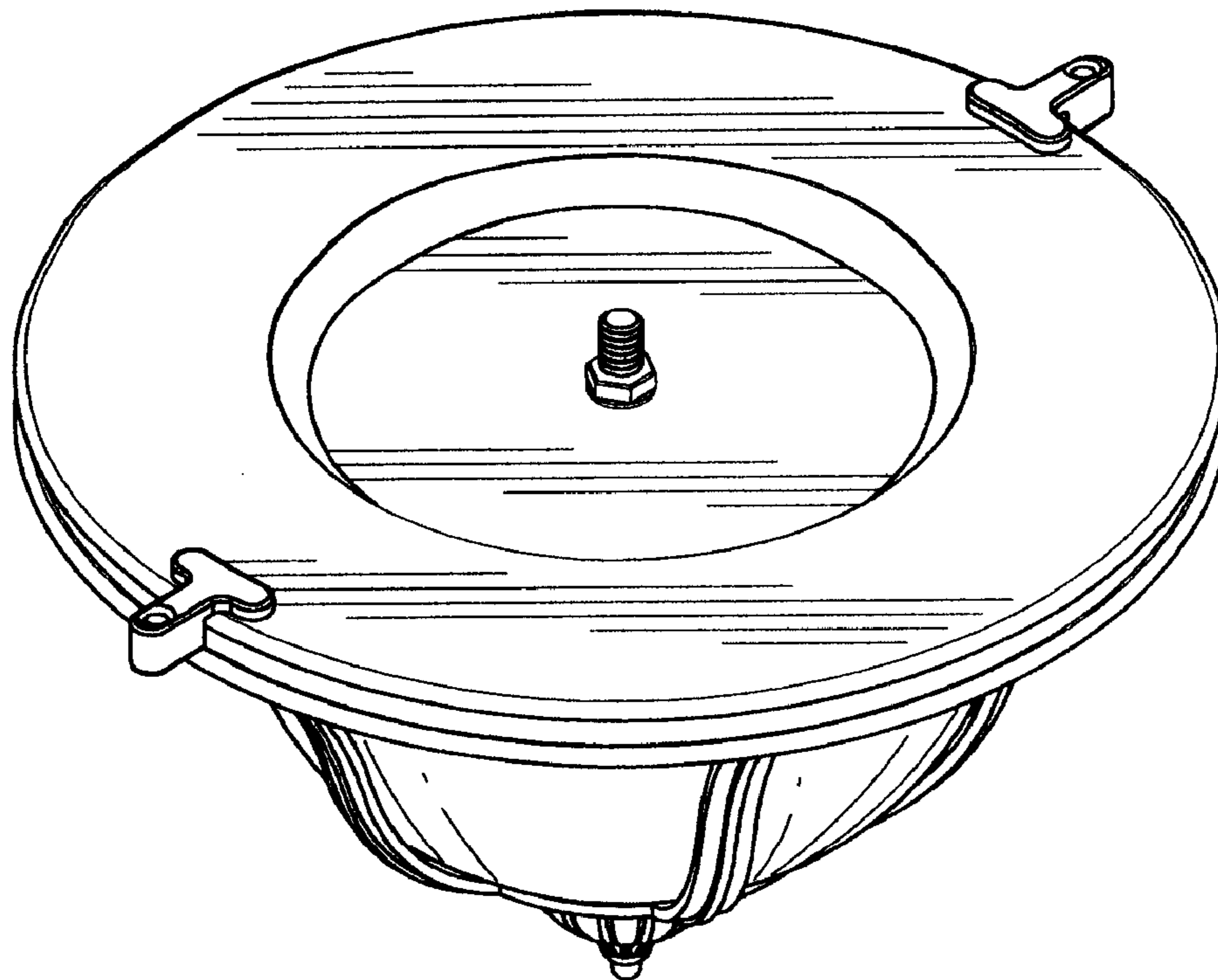
FIG. 6 is a top plan view thereof;

FIG. 7 is a bottom plan view thereof; and,

FIG. 8 is a front end view of the combined ceiling fan motor housing and light kit in accordance with my design, shown in its environment.

The broken lines in the views show environmental features, which are for illustrative purposes only and form no part of the claimed design.

**1 Claim, 5 Drawing Sheets**



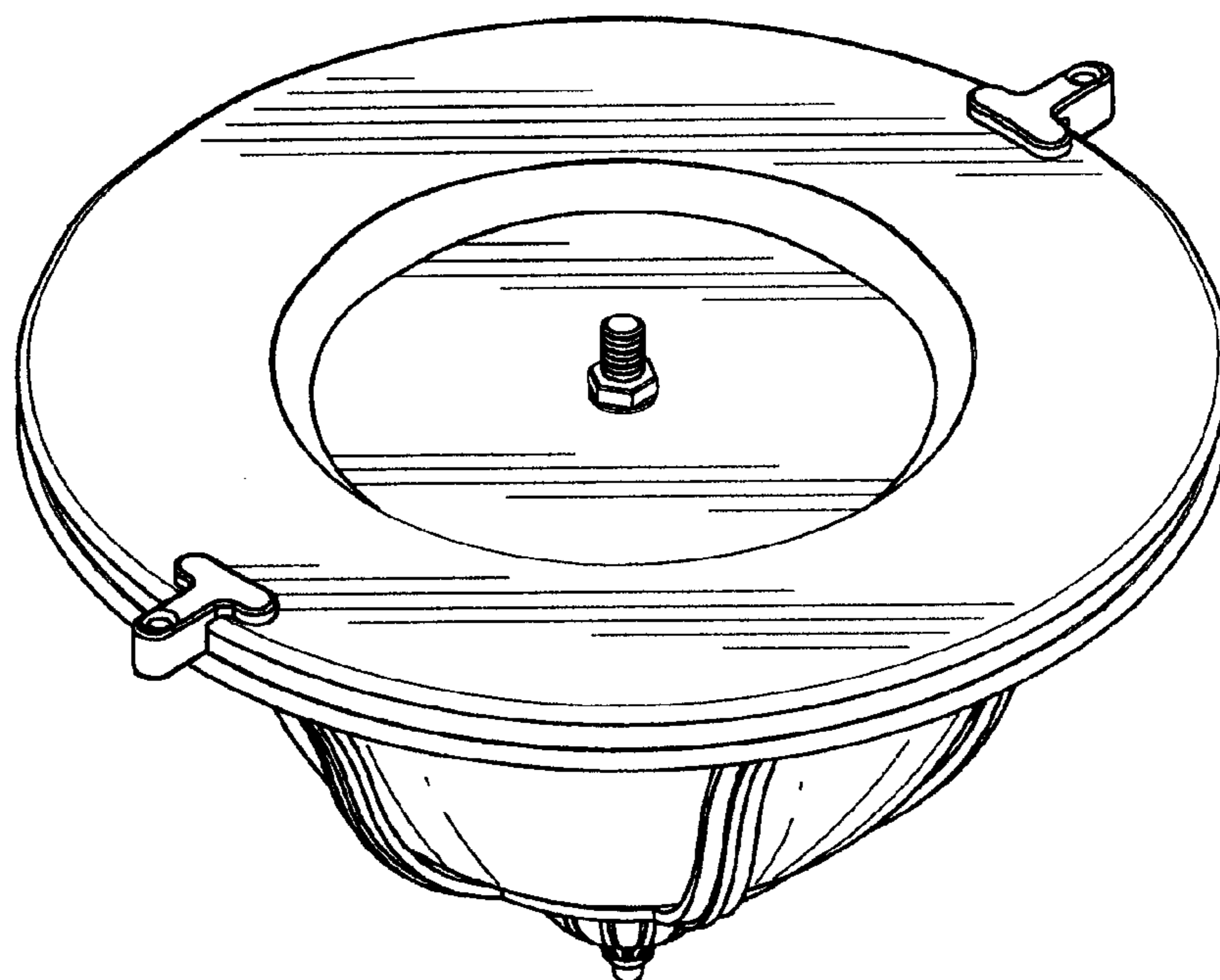


FIG. 1

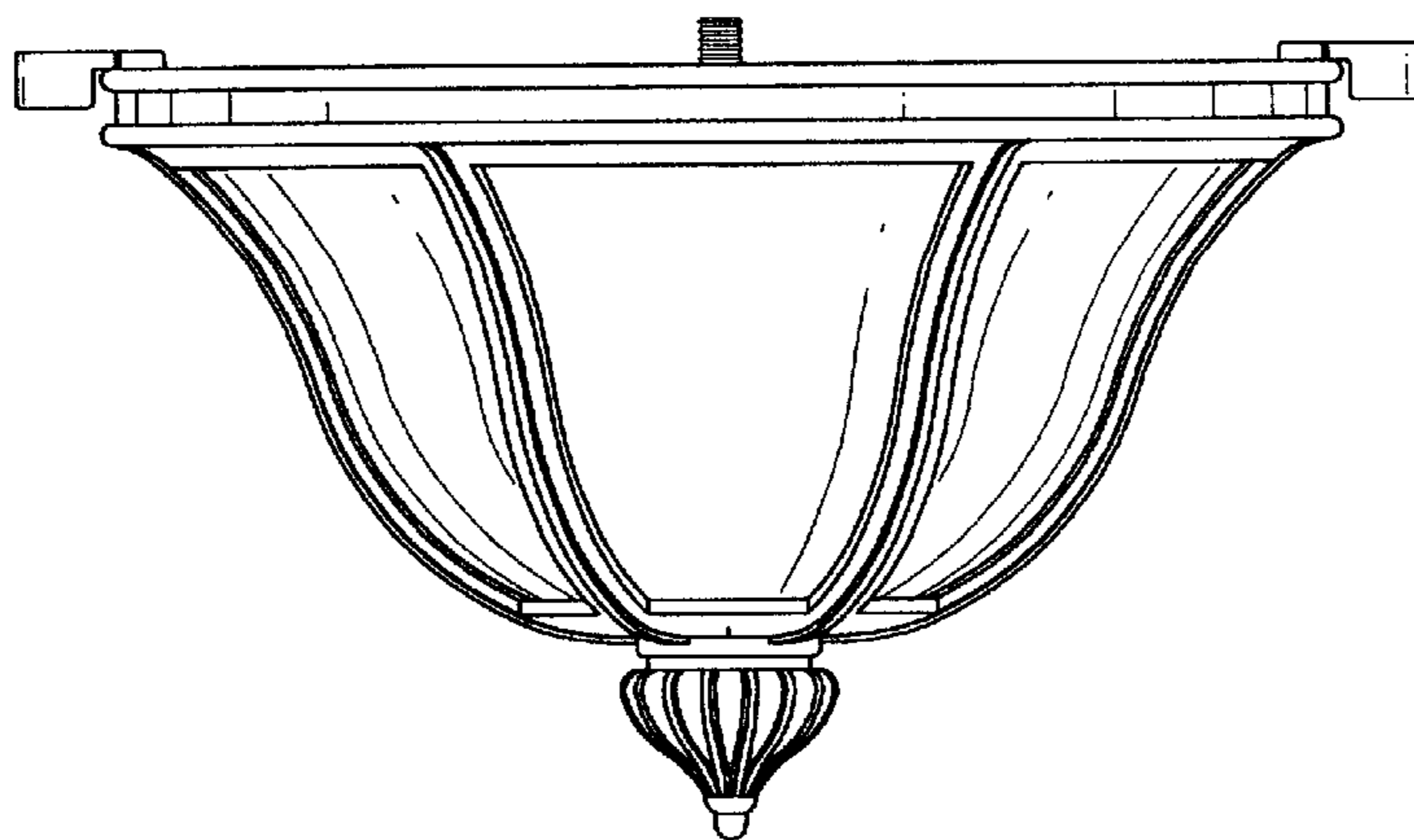


FIG. 2

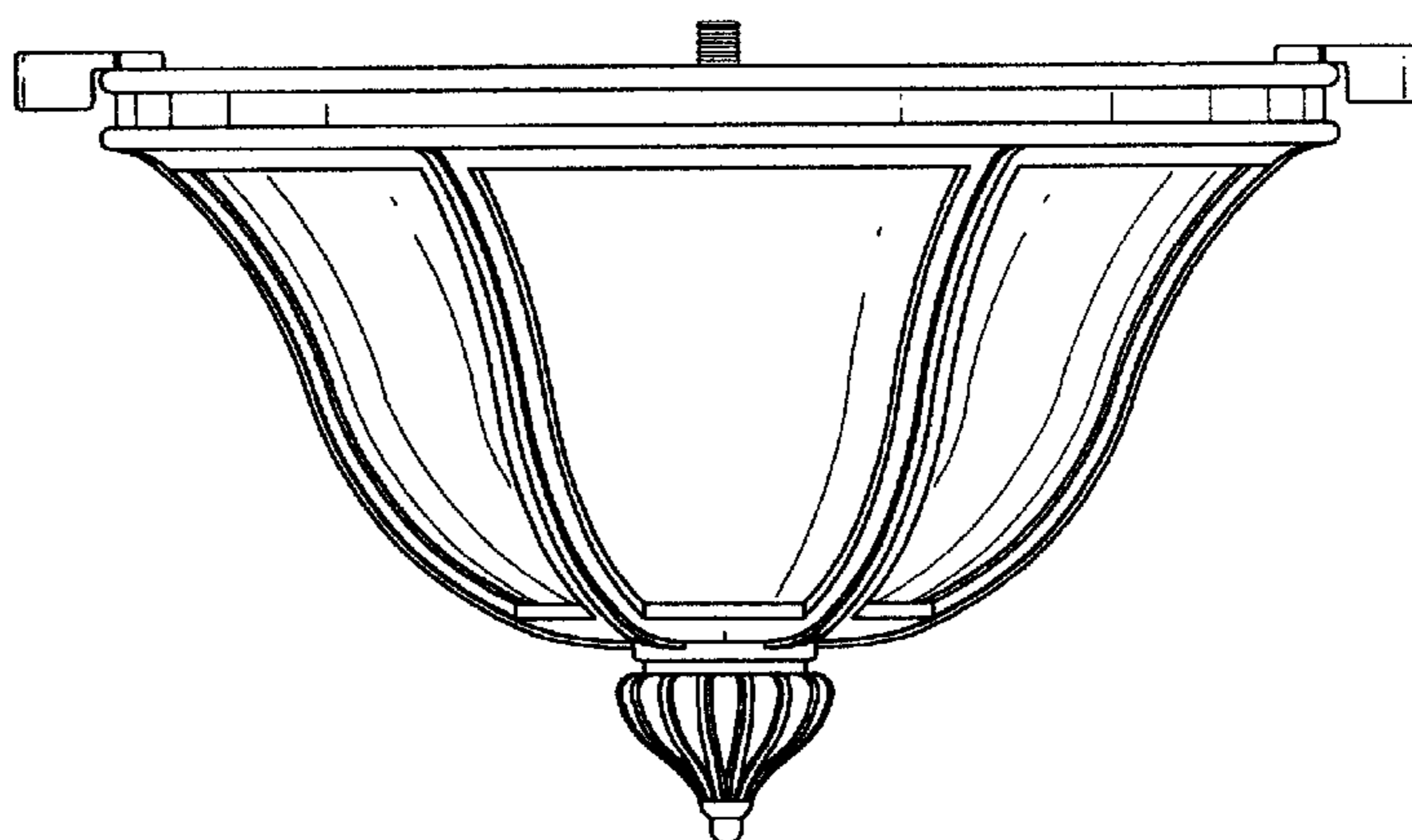


FIG. 3

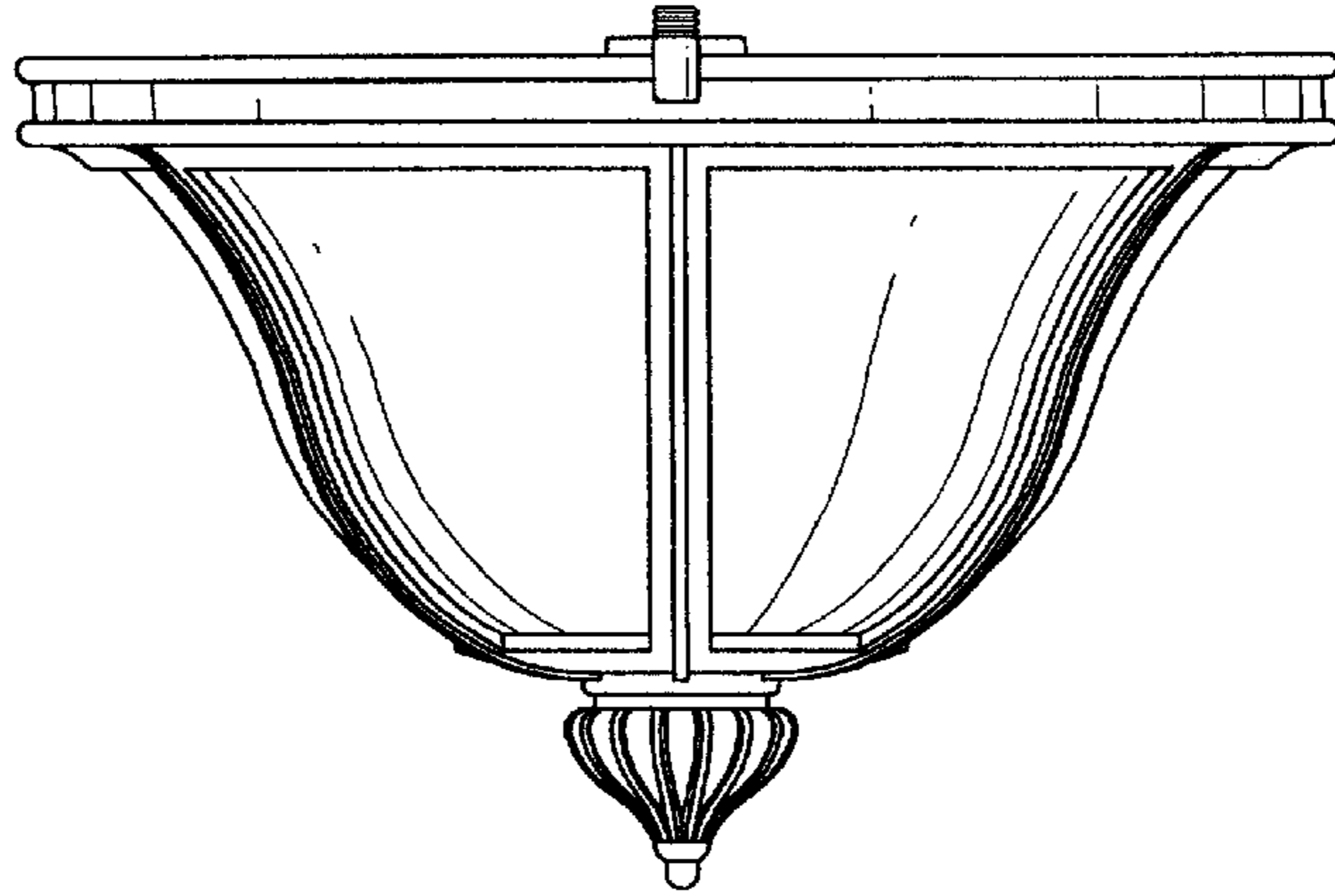


FIG. 4

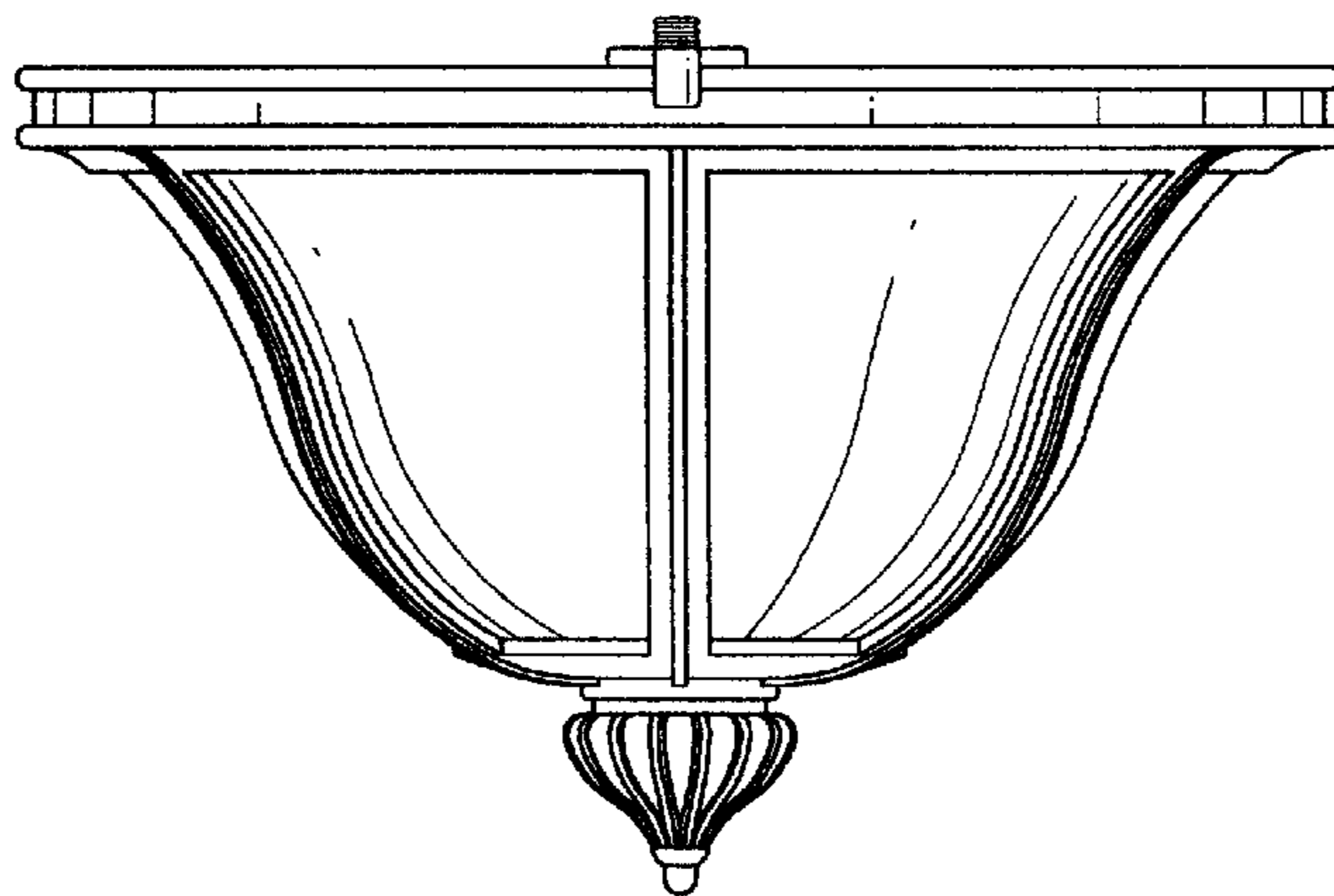


FIG. 5

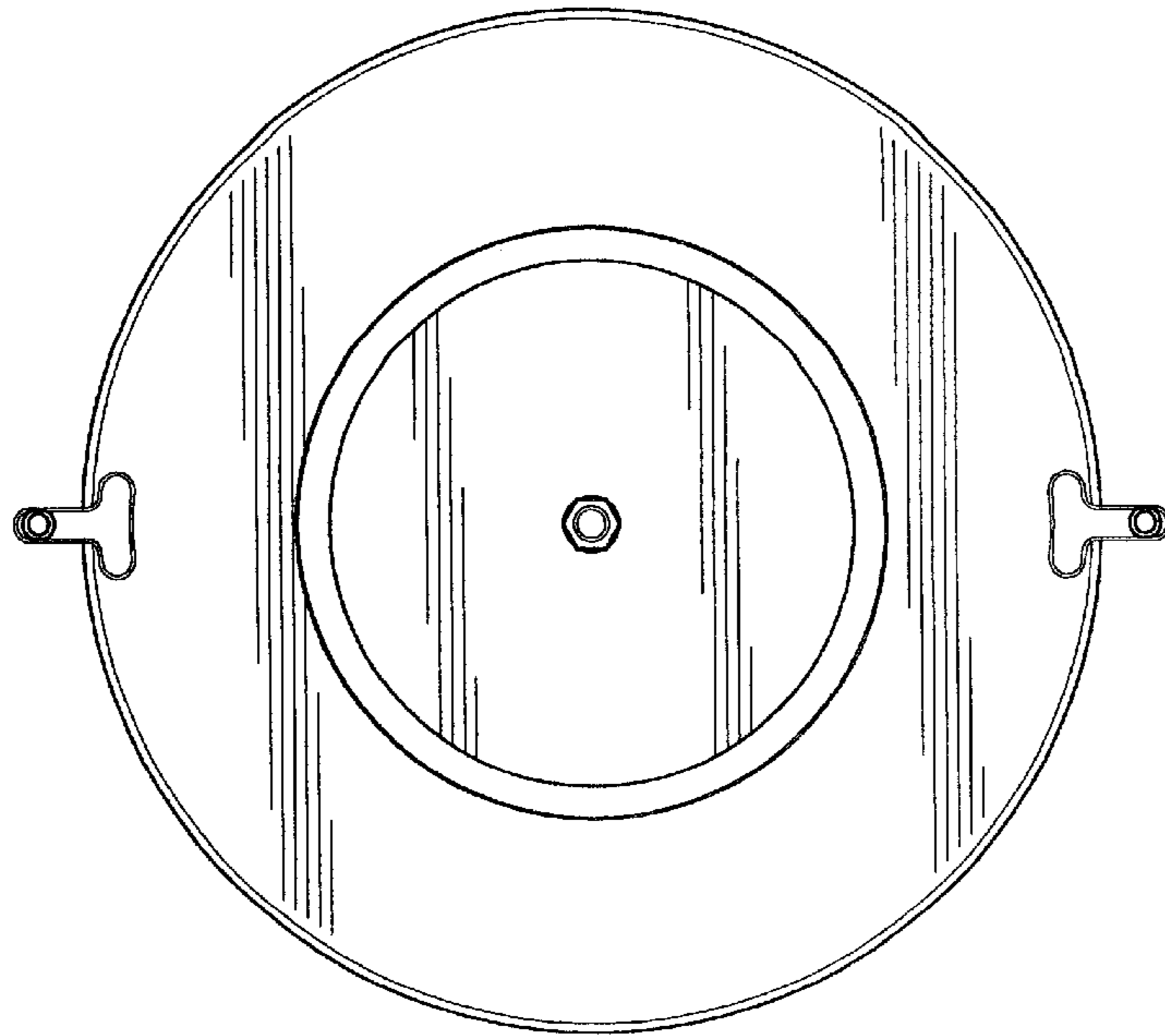


FIG. 6

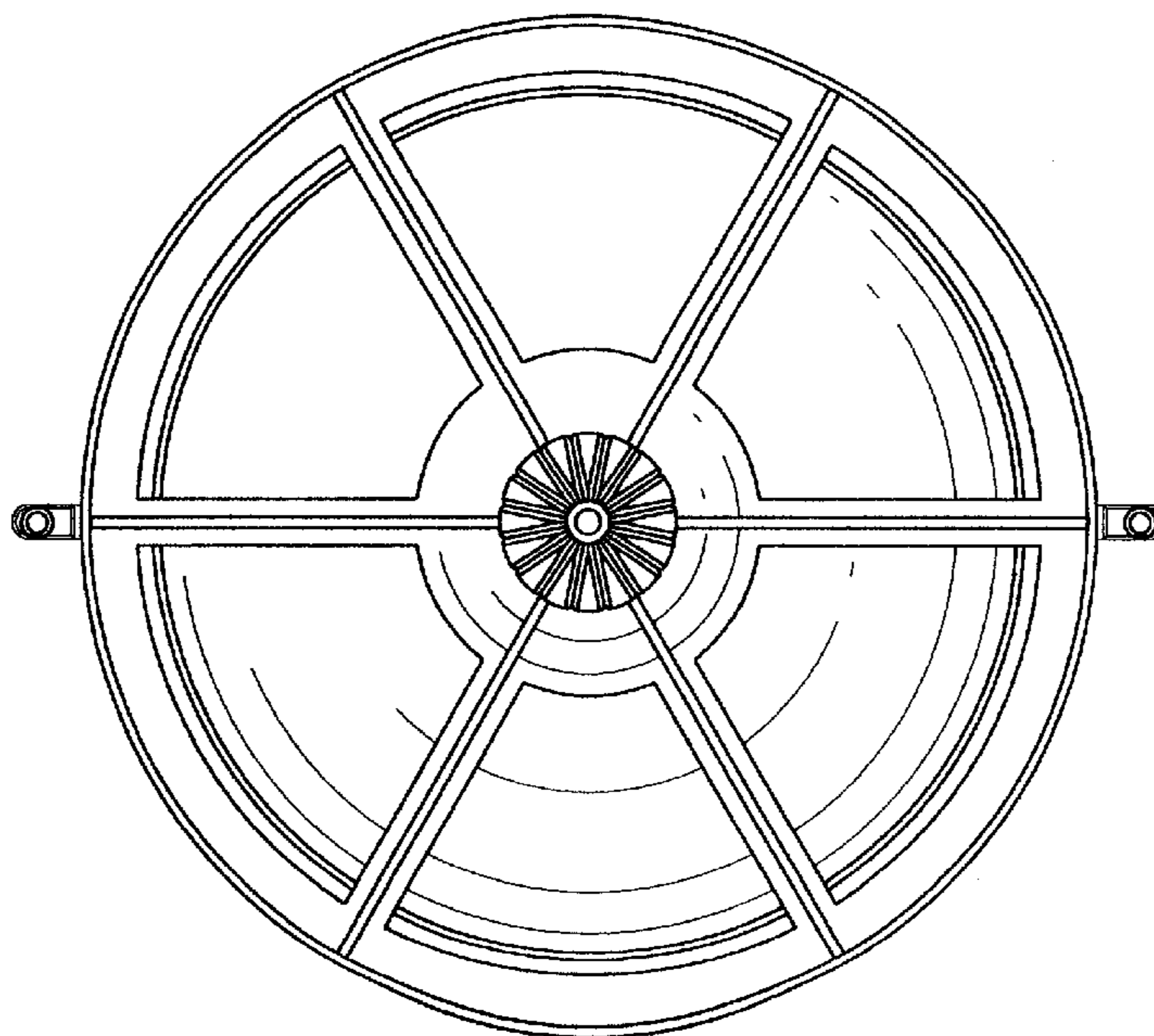


FIG. 7

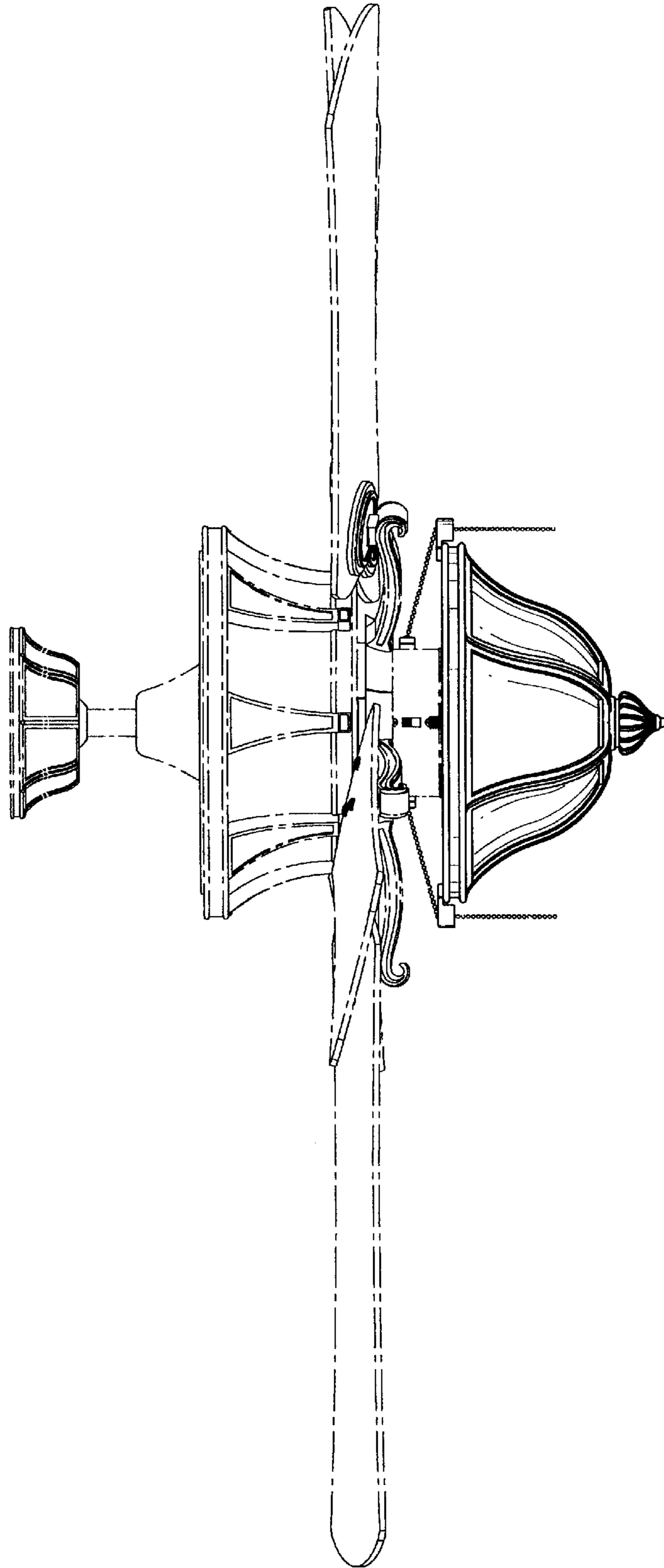


FIG. 8