



US00D532136S

(12) **United States Design Patent**  
**Krieger et al.**

(10) **Patent No.:** **US D532,136 S**

(45) **Date of Patent:** **\*\* Nov. 14, 2006**

(54) **SPOTLIGHT**

(75) Inventors: **Michael Krieger**, Miami Beach, FL (US); **Kevin Ellsworth**, Hollywood, FL (US)

(73) Assignee: **Vector Products, Inc.**, Fort Lauderdale, FL (US)

(\*\*) Term: **14 Years**

(21) Appl. No.: **29/239,898**

(22) Filed: **Oct. 6, 2005**

(51) **LOC (8) Cl.** ..... **26-02**

(52) **U.S. Cl.** ..... **D26/45**

(58) **Field of Classification Search** ..... D26/37-50;  
362/157, 158, 171-174, 183-208  
See application file for complete search history.

(56) **References Cited**

U.S. PATENT DOCUMENTS

D481,815 S \* 11/2003 Krieger et al. .... D26/45  
D504,533 S \* 4/2005 Hussaini et al. .... D26/45

D506,278 S \* 6/2005 Dayan ..... D26/45  
D518,214 S \* 3/2006 Krieger et al. .... D26/45  
D519,235 S \* 4/2006 Krieger et al. .... D26/45

\* cited by examiner

*Primary Examiner*—Marcus A. Jackson

(74) *Attorney, Agent, or Firm*—Venable LLP; Robert Kinberg; Manni Li

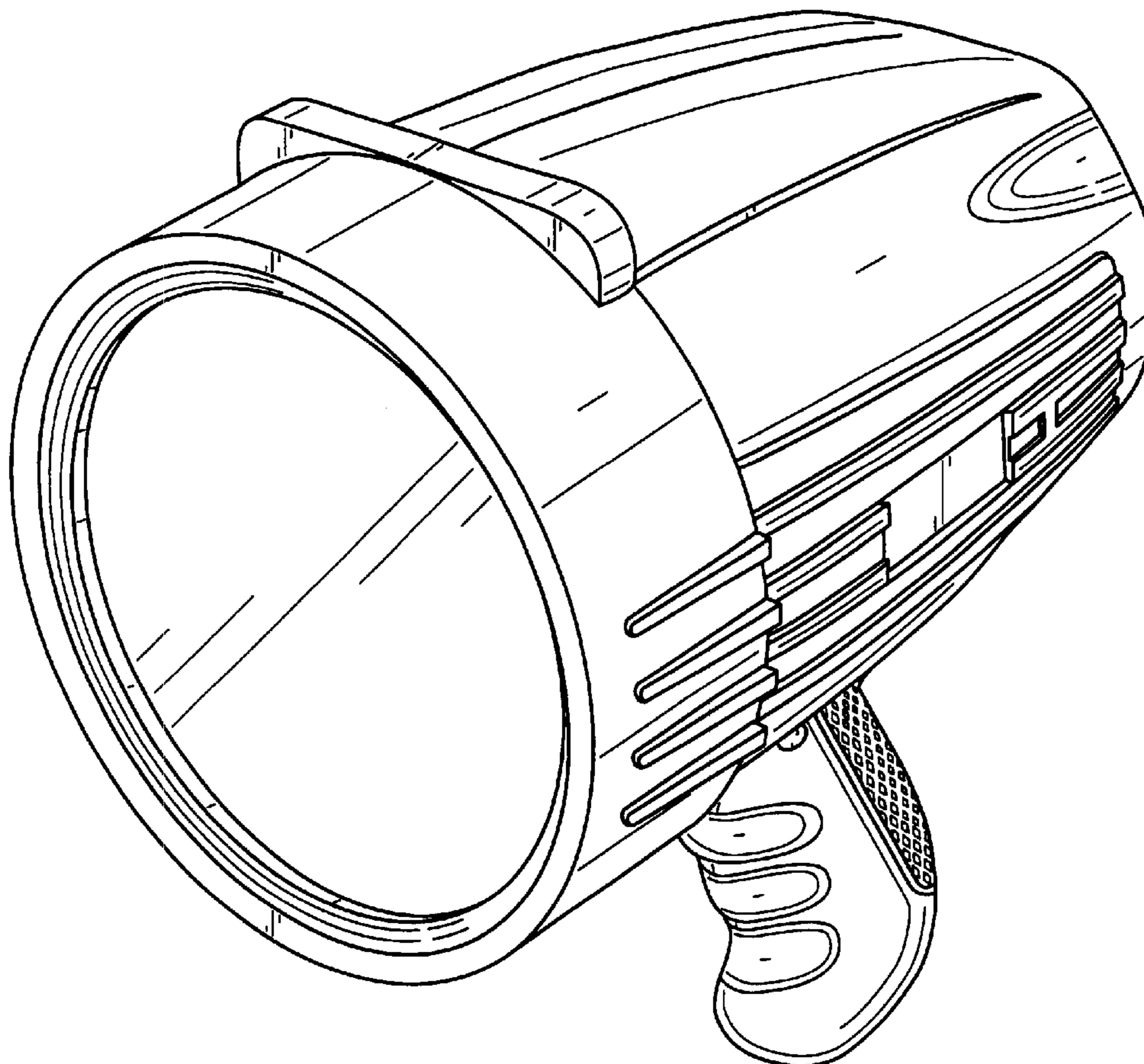
(57) **CLAIM**

The ornamental design for a spotlight, as shown and described.

**DESCRIPTION**

FIG. 1 is a perspective view from the front-top-right side of the spotlight showing our new design;  
FIG. 2 is a front view of the design shown in FIG. 1;  
FIG. 3 is a rear view of the design shown in FIG. 1;  
FIG. 4 is a left side view of the design shown in FIG. 1;  
FIG. 5 is a right side view of the design shown in FIG. 1;  
FIG. 6 is a top view of the design shown in FIG. 1; and,  
FIG. 7 is a bottom view of the design shown in FIG. 1.

**1 Claim, 7 Drawing Sheets**



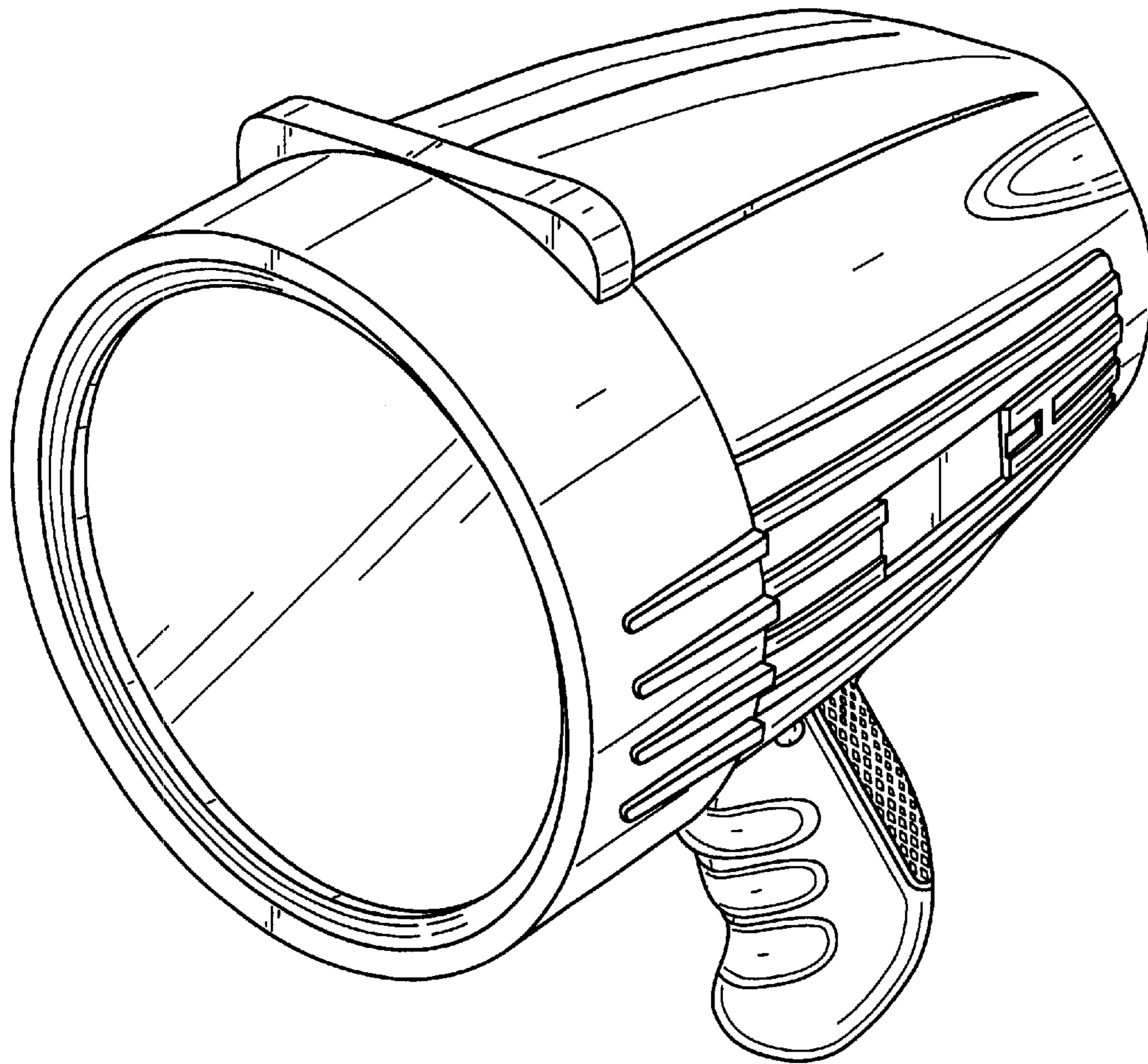


FIG. 1

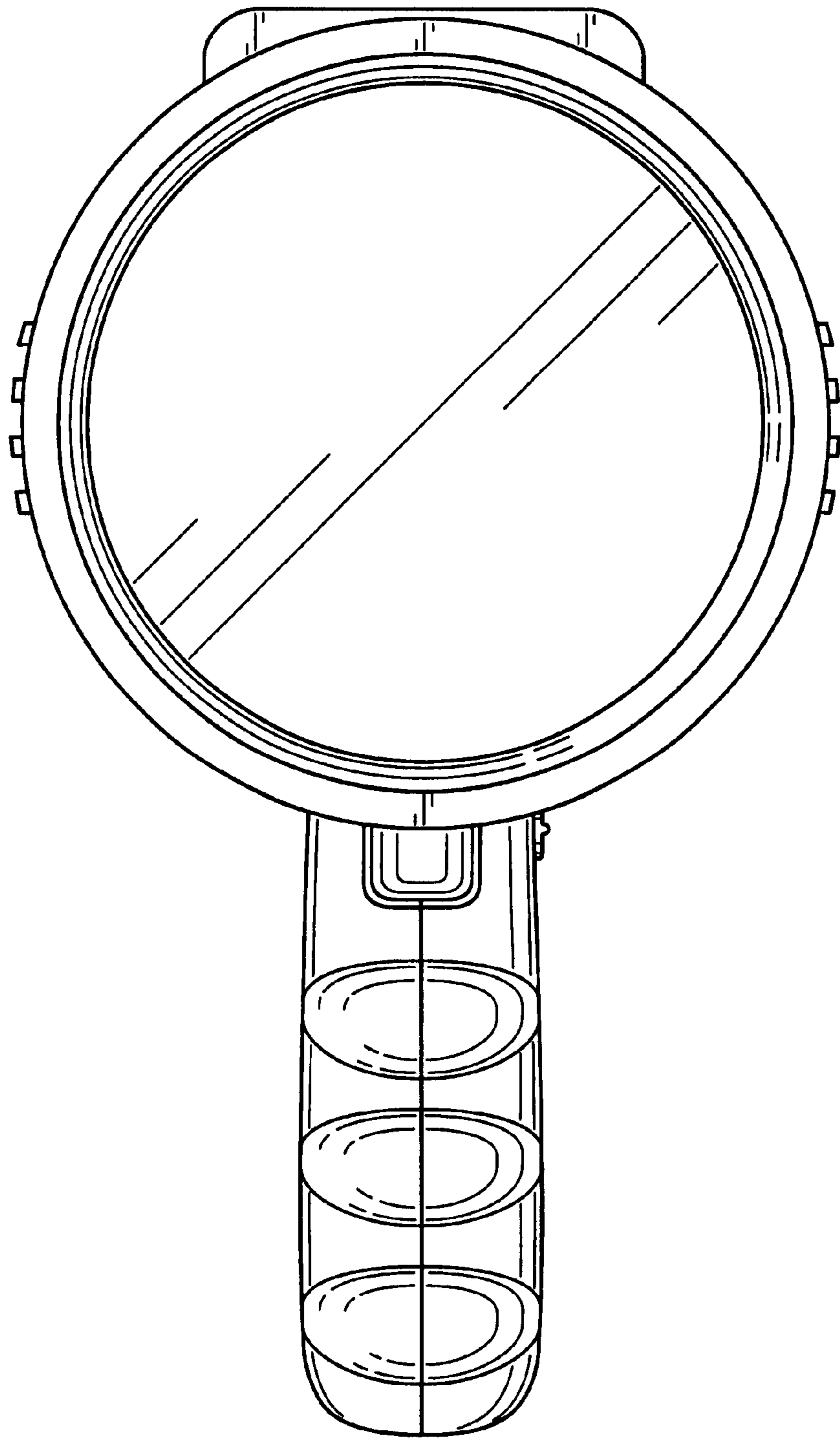


FIG. 2

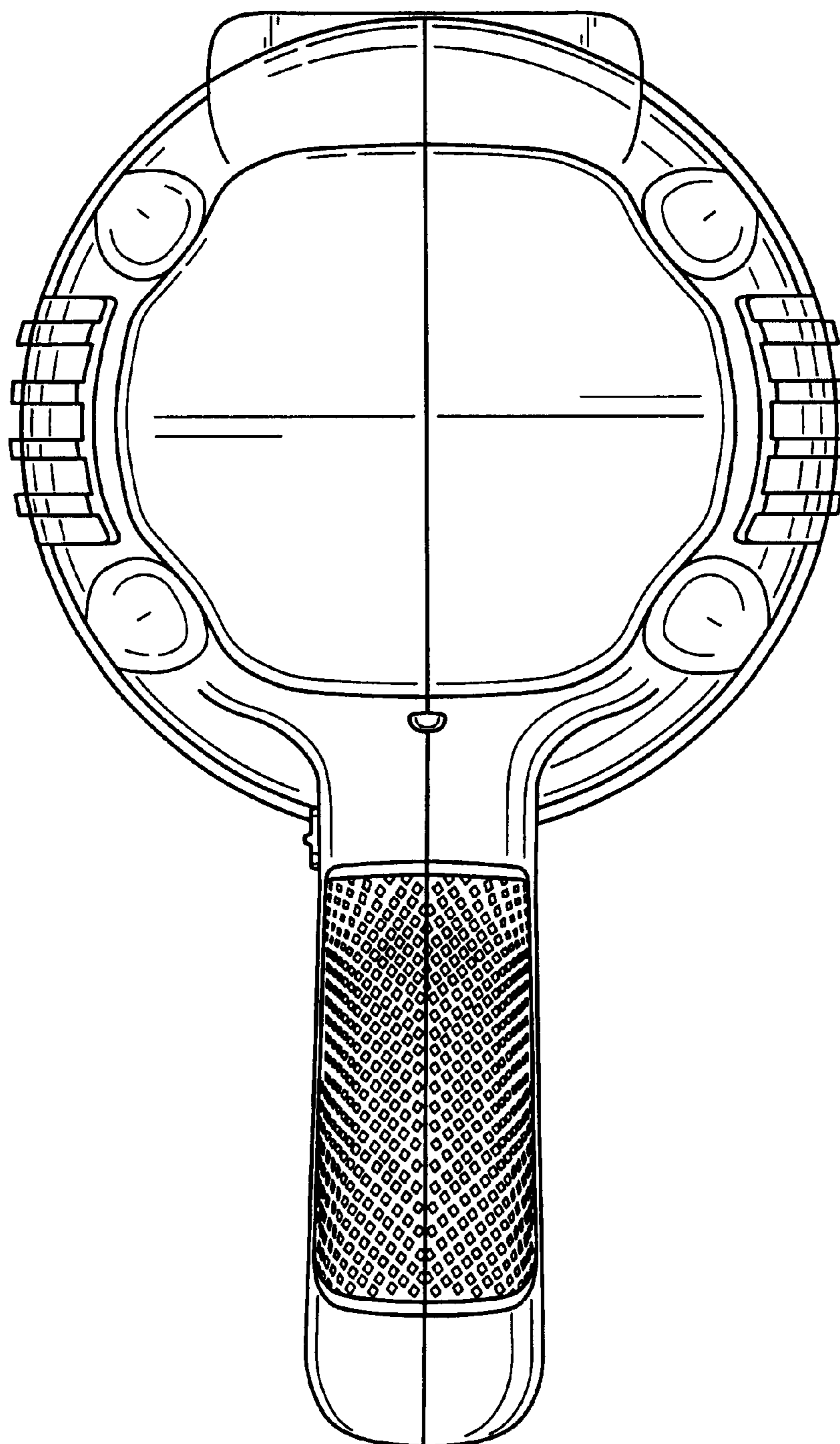


FIG. 3

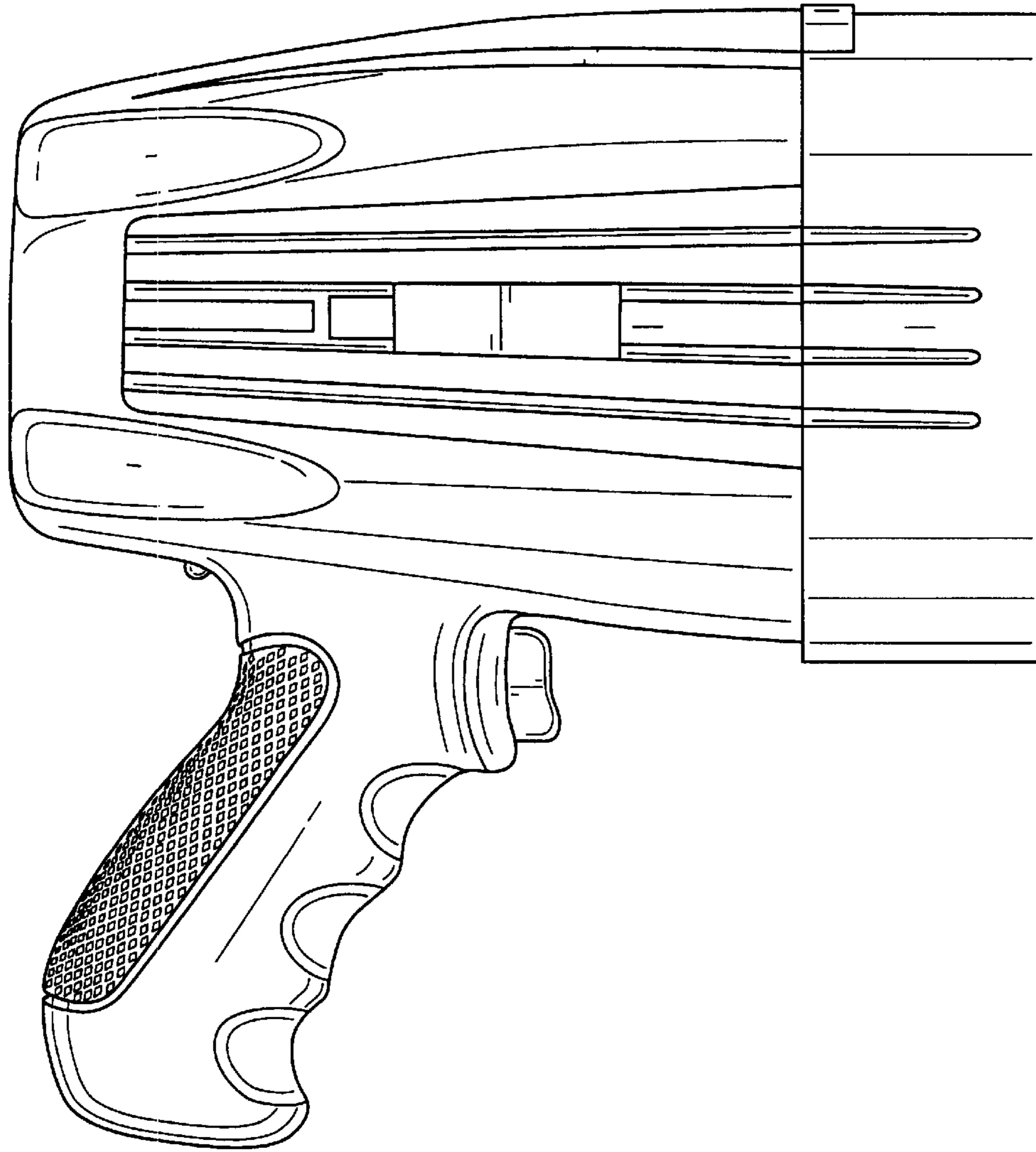


FIG. 4

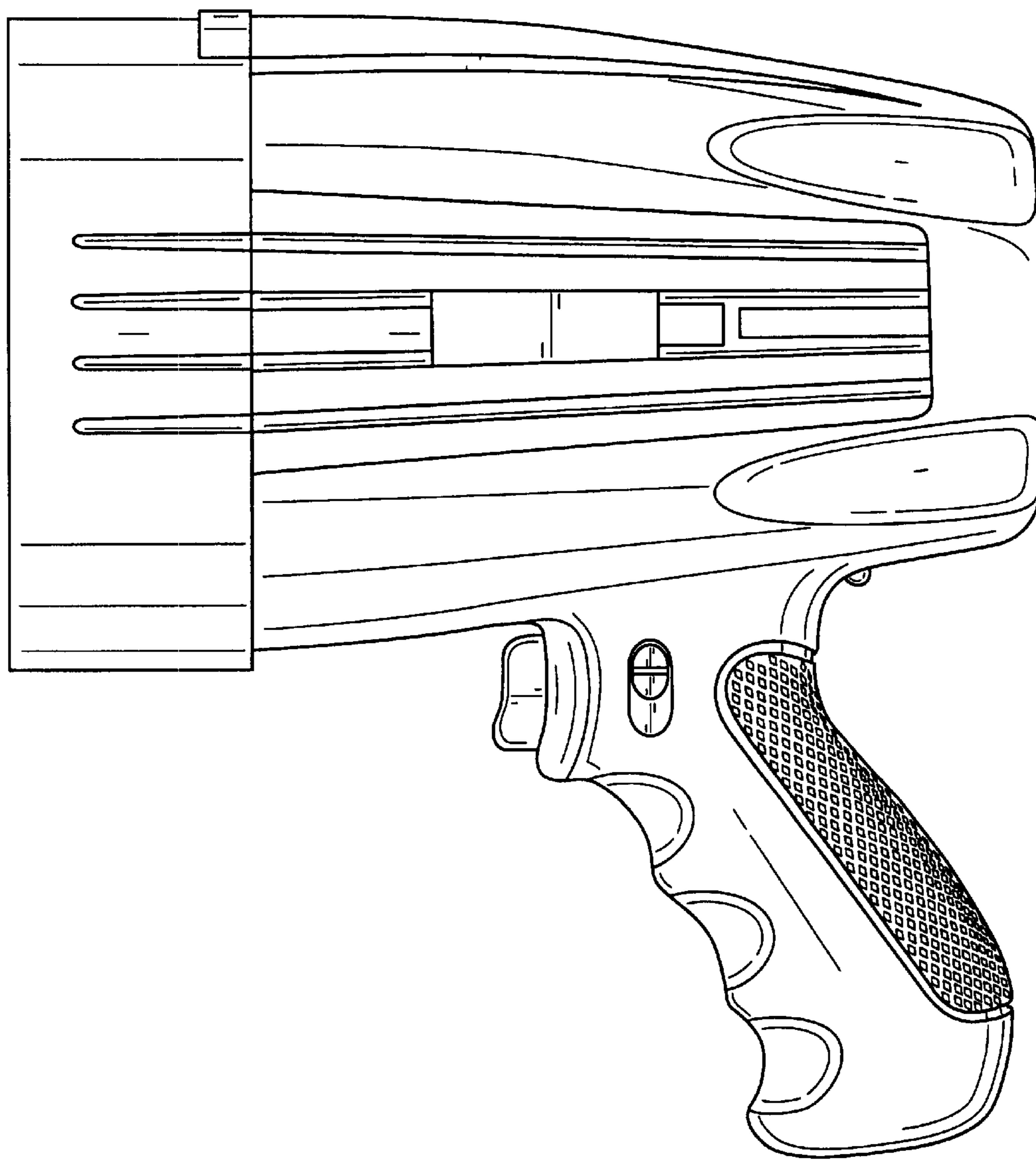


FIG. 5

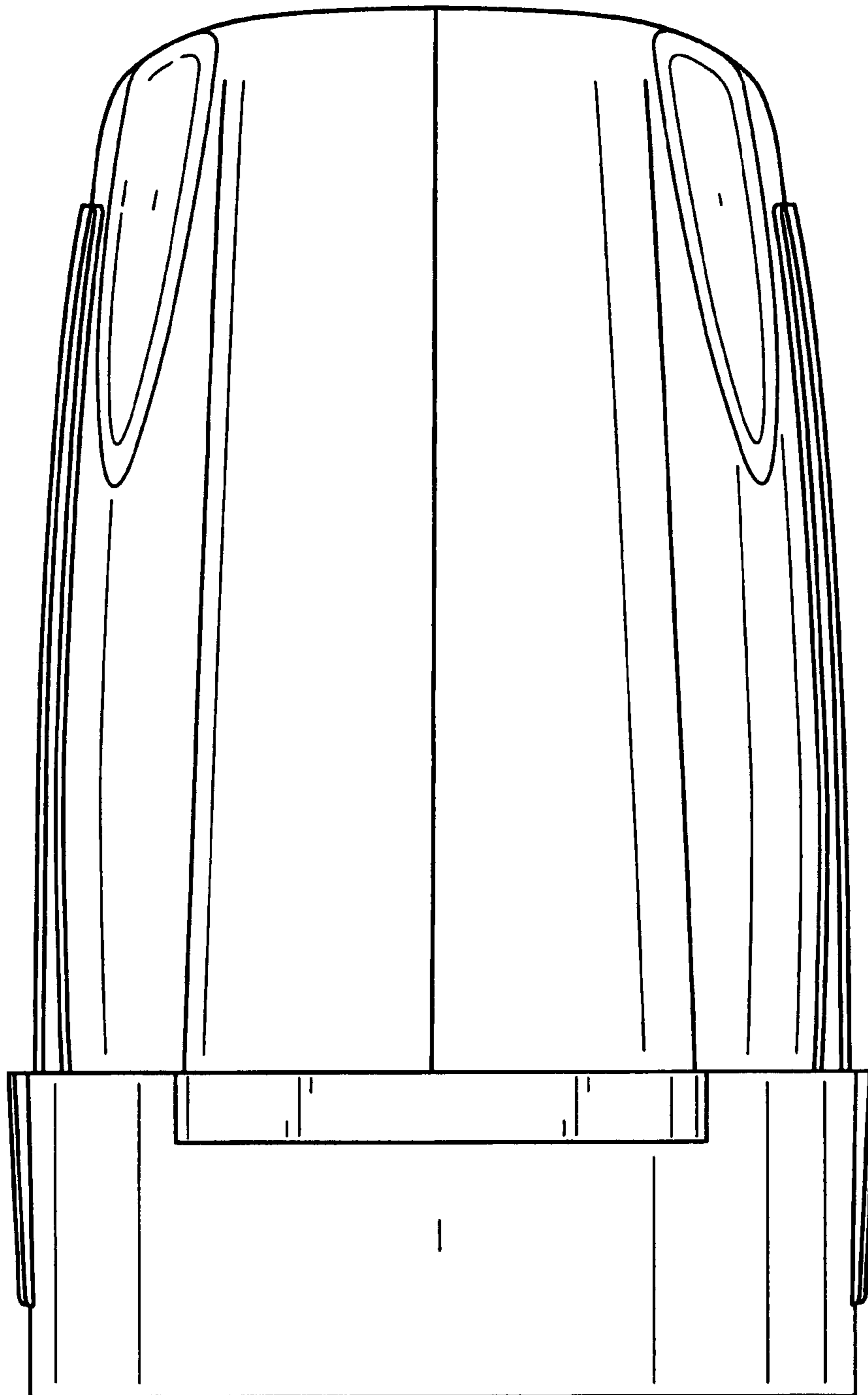


FIG. 6

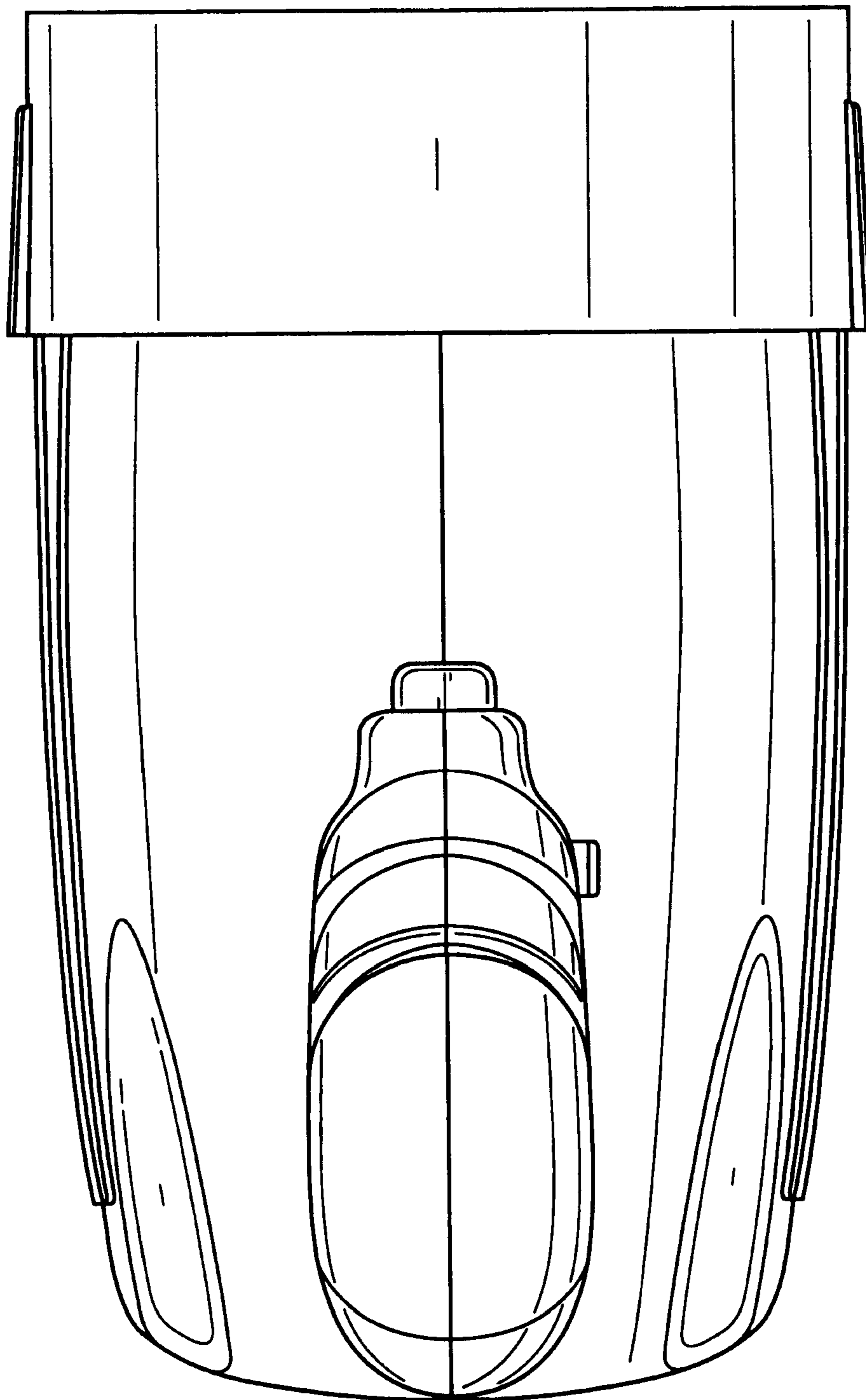


FIG. 7