

US00D532133S

(12) **United States Design Patent** (10) **Patent No.:** **US D532,133 S**  
**Holsinger et al.** (45) **Date of Patent:** **\*\* Nov. 14, 2006**

(54) **LANTERN**

(75) Inventors: **Philip M. Holsinger**, Topeka, KS (US);  
**Kenneth G. Schlup, Jr.**, Newton, KS (US)

(73) Assignee: **The Coleman Company, Inc.**, Wichita, KS (US)

(\*\*) Term: **14 Years**

(21) Appl. No.: **29/229,904**

(22) Filed: **May 13, 2005**

(51) **LOC (8) Cl.** ..... **26-02**

(52) **U.S. Cl.** ..... **D26/40**

(58) **Field of Classification Search** ..... D26/37-50;  
362/157, 158, 171-174, 183-208  
See application file for complete search history.

(56) **References Cited**

**U.S. PATENT DOCUMENTS**

3,807,938	A	4/1974	Hastings
3,941,554	A	3/1976	Curtis
4,131,414	A	12/1978	Curtis
4,321,656	A	3/1982	Gruver, Jr.
4,535,390	A	8/1985	Curtis et al.
4,599,683	A	7/1986	Beckham et al.
4,663,697	A	5/1987	Stearns et al.
D311,777	S	10/1990	Stearns
D337,644	S	7/1993	Stearns et al.
5,293,306	A	3/1994	Bamber
D350,830	S	9/1994	Bamber
5,533,892	A	7/1996	Long

(Continued)

**OTHER PUBLICATIONS**

U.S. Appl. No. 29/229,725, filed May 11, 2005, Holsinger et al.

The Coleman Company, Inc., "Coleman Lanterns," Coleman Collectors' Guide 1903-1954 on CD-ROM, pp. 1-30.

The Coleman Company, Inc., "Coleman Lamps," Coleman Collectors' Guide 1903-1954 on CD-ROM, pp. 1-57.

Tucker, Carl R., "Coleman Lighting Systems," Coleman Collectors' Guide 1903-1954 on CD-ROM, pp. 1-34, The Coleman Company, Inc., 1993.

*Primary Examiner*—Marcus A. Jackson

(74) *Attorney, Agent, or Firm*—Leydig, Voit & Mayer, Ltd.

(57) **CLAIM**

The ornamental design for a lantern, as shown and described.

**DESCRIPTION**

FIG. 1 is a front view of a first embodiment of a lantern in accordance with the present invention;

FIG. 2 is a rear view thereof;

FIG. 3 is a left side view thereof;

FIG. 4 is a right side view thereof;

FIG. 5 is a top view thereof;

FIG. 6 is a bottom view thereof;

FIG. 7 is a front view of the same embodiment of the lantern shown in FIG. 1, with broken lines removed in this view;

FIG. 8 is a rear view thereof;

FIG. 9 is a left side view thereof;

FIG. 10 is a right side view thereof;

FIG. 11 is a top view thereof;

FIG. 12 is a bottom view thereof;

FIG. 13 is a front view of a second embodiment of a lantern in accordance with the present invention;

FIG. 14 is a rear view thereof;

FIG. 15 is a left side view thereof;

FIG. 16 is a right side view thereof;

FIG. 17 is a top view thereof;

FIG. 18 is a bottom view thereof;

FIG. 19 is a front view of the same embodiment of the lantern shown in FIG. 13, with broken lines removed in this view;

FIG. 20 is a rear view thereof;

FIG. 21 is a left side view thereof;

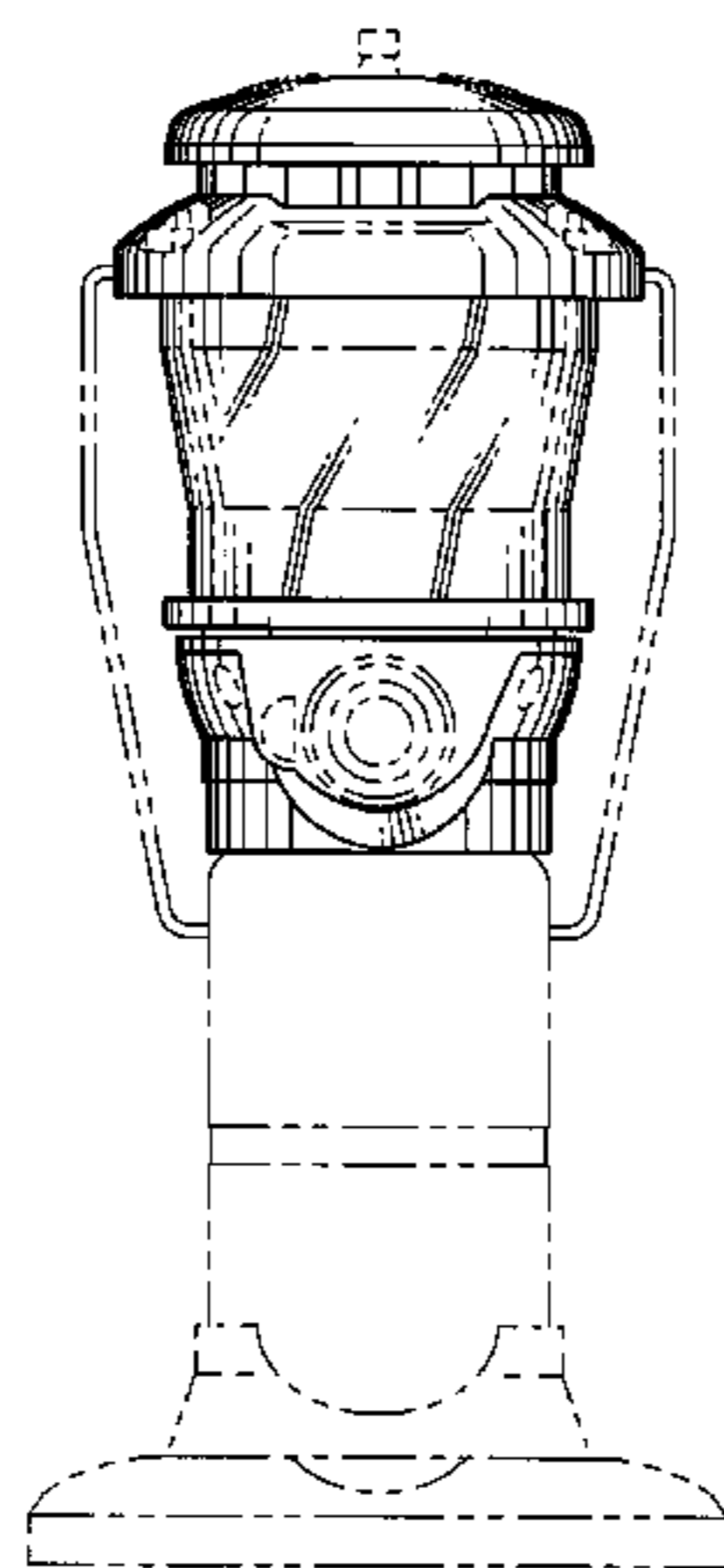
FIG. 22 is a right side view thereof;

FIG. 23 is a top view thereof; and,

FIG. 24 is a bottom view thereof.

The broken line showing is for illustrative purposes only and forms no part of the claimed design.

**1 Claim, 10 Drawing Sheets**



# US D532,133 S

Page 2

## U.S. PATENT DOCUMENTS

D374,099 S	9/1996	Bamber	
D390,984 S	2/1998	Long et al.	
D393,323 S	4/1998	Howard et al.	
5,758,949 A	6/1998	Van Deursen	
D397,467 S	8/1998	Howard et al.	
D399,016 S	9/1998	Howard et al.	
5,836,757 A	11/1998	Long et al.	
5,860,729 A	1/1999	Bamber	
5,902,100 A	5/1999	Long	
6,030,094 A	2/2000	Sedovic et al.	
6,042,366 A	3/2000	Long et al.	
D424,227 S	5/2000	Long	
D433,762 S	* 11/2000	Yuen .....	D26/40
D440,677 S	4/2001	Long et al.	
D441,887 S	5/2001	Long et al.	
D443,087 S	5/2001	Israel et al.	
D443,088 S	5/2001	Skidmore et al.	
D443,706 S	6/2001	Israel et al.	
D448,518 S	9/2001	Long et al.	
D450,867 S	* 11/2001	Long et al. ....	D26/37
D451,220 S	11/2001	Long et al.	
6,378,551 B1	4/2002	Long	
6,394,630 B1	5/2002	Skidmore et al.	
6,485,290 B1	11/2002	Long	
D468,039 S	* 12/2002	Poon .....	D26/40
6,488,495 B1	12/2002	Long et al.	
D483,892 S	* 12/2003	Poon .....	D26/40
D485,928 S	* 1/2004	Leung et al. ....	D26/40
D487,597 S	3/2004	Leung et al.	
D487,809 S	* 3/2004	Leung et al. ....	D26/40
6,846,091 B1	1/2005	Long	
6,848,809 B1	2/2005	Long	
D503,006 S	* 3/2005	May et al. ....	D26/40
D509,921 S	* 9/2005	Lam .....	D26/40

\* cited by examiner

FIG. 1

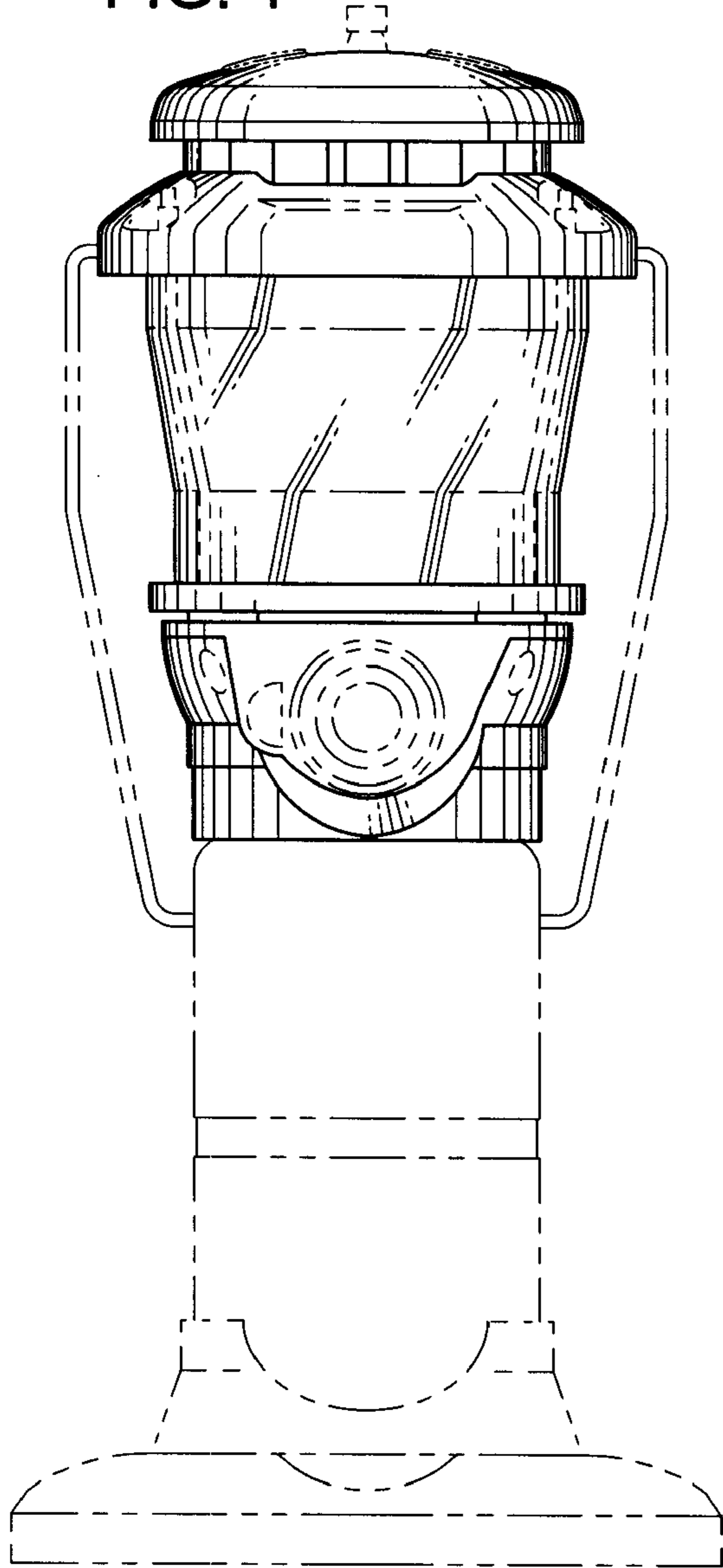


FIG. 2

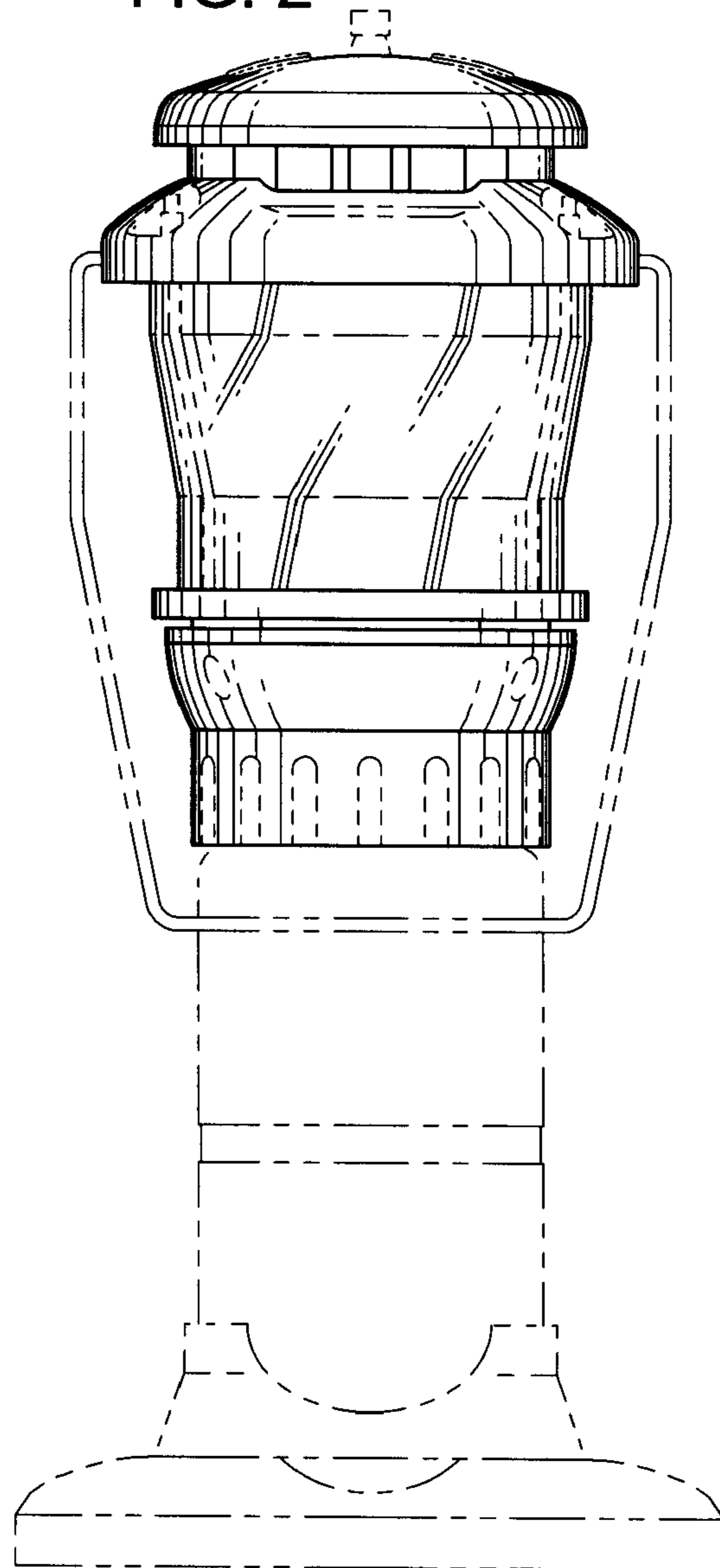


FIG. 3

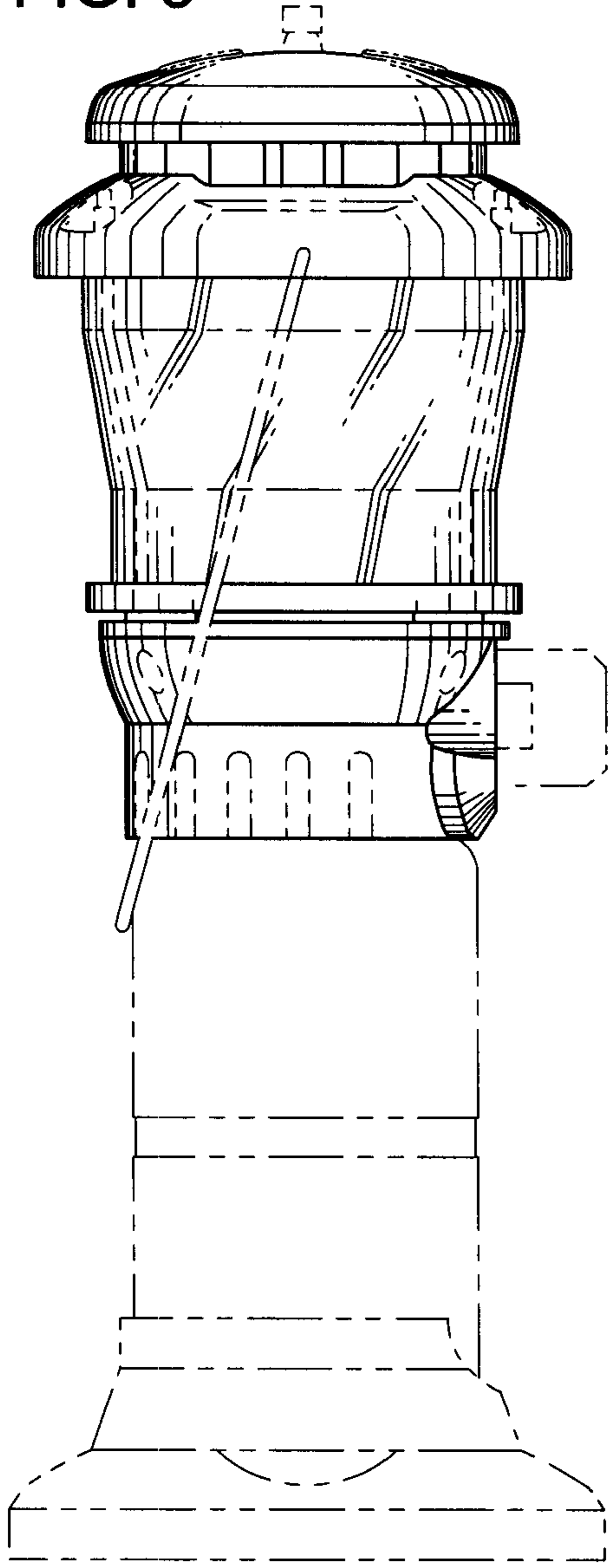


FIG. 4

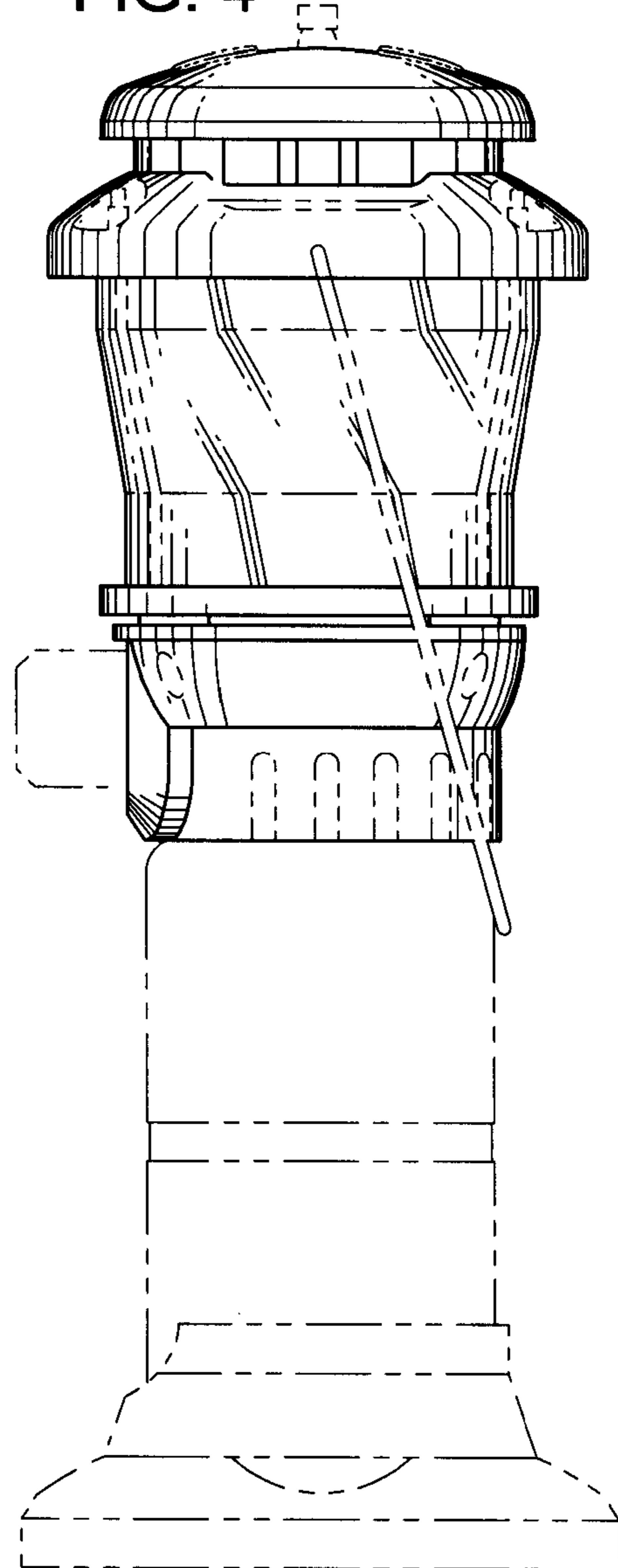


FIG. 5

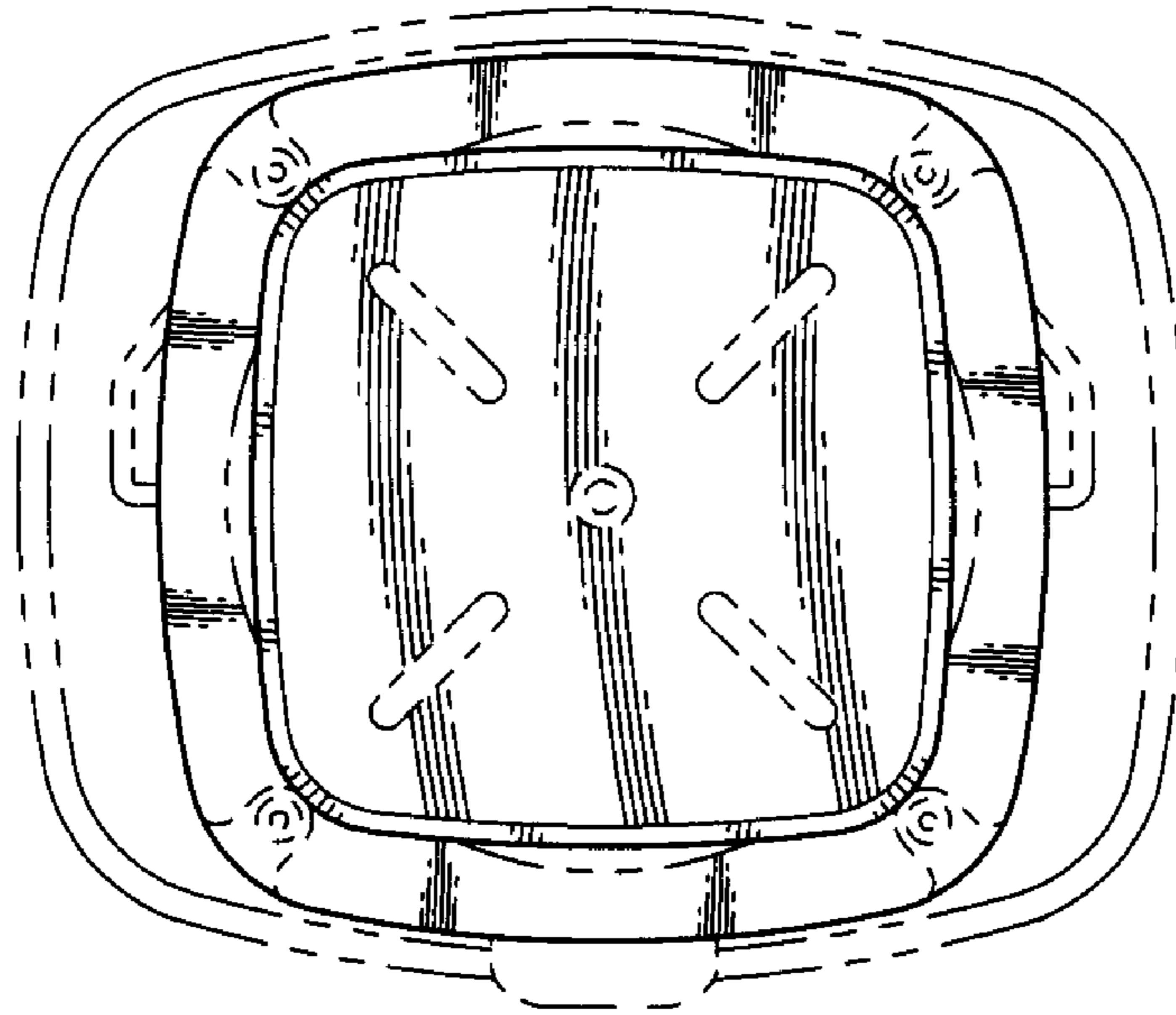


FIG. 6

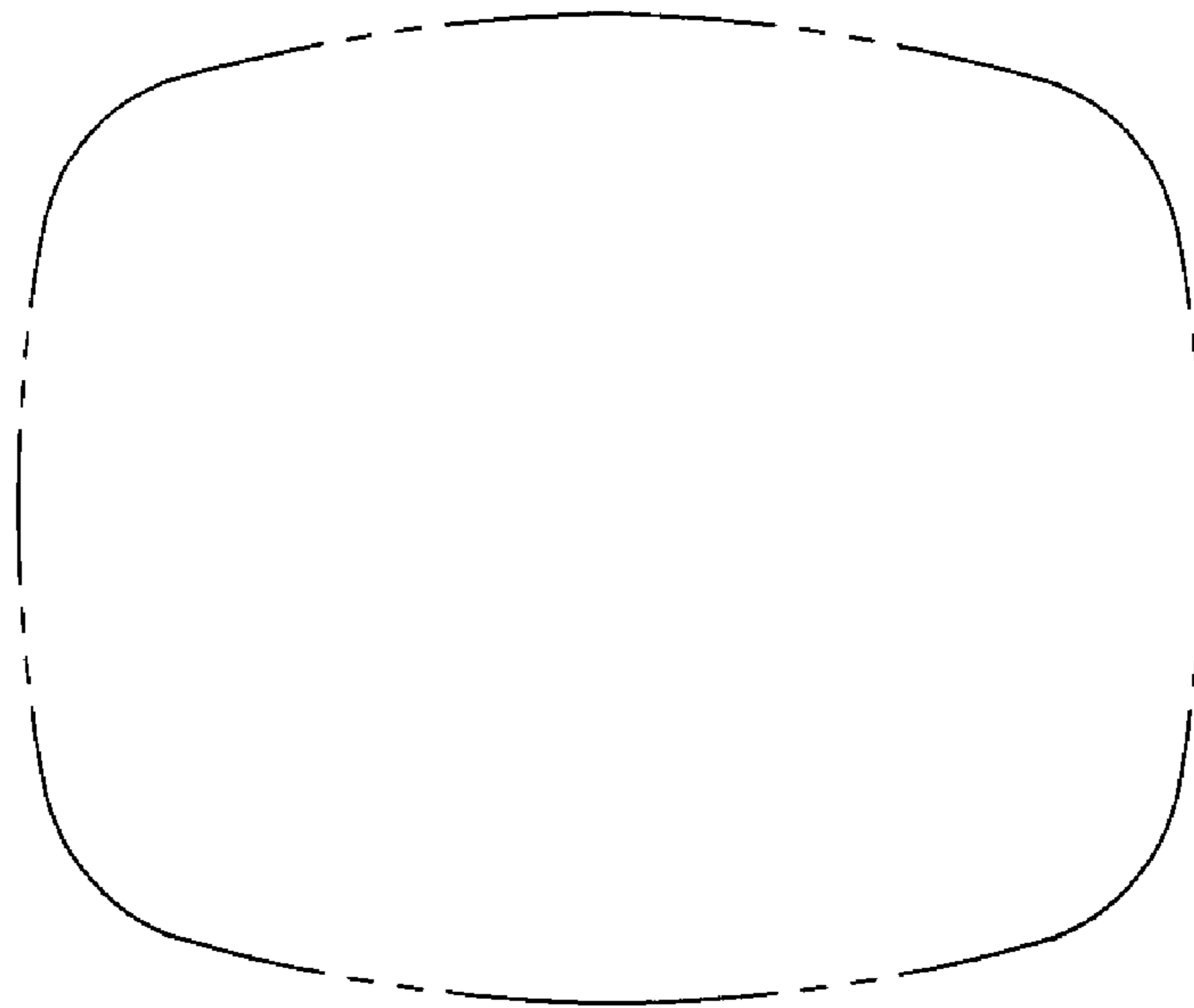


FIG. 7

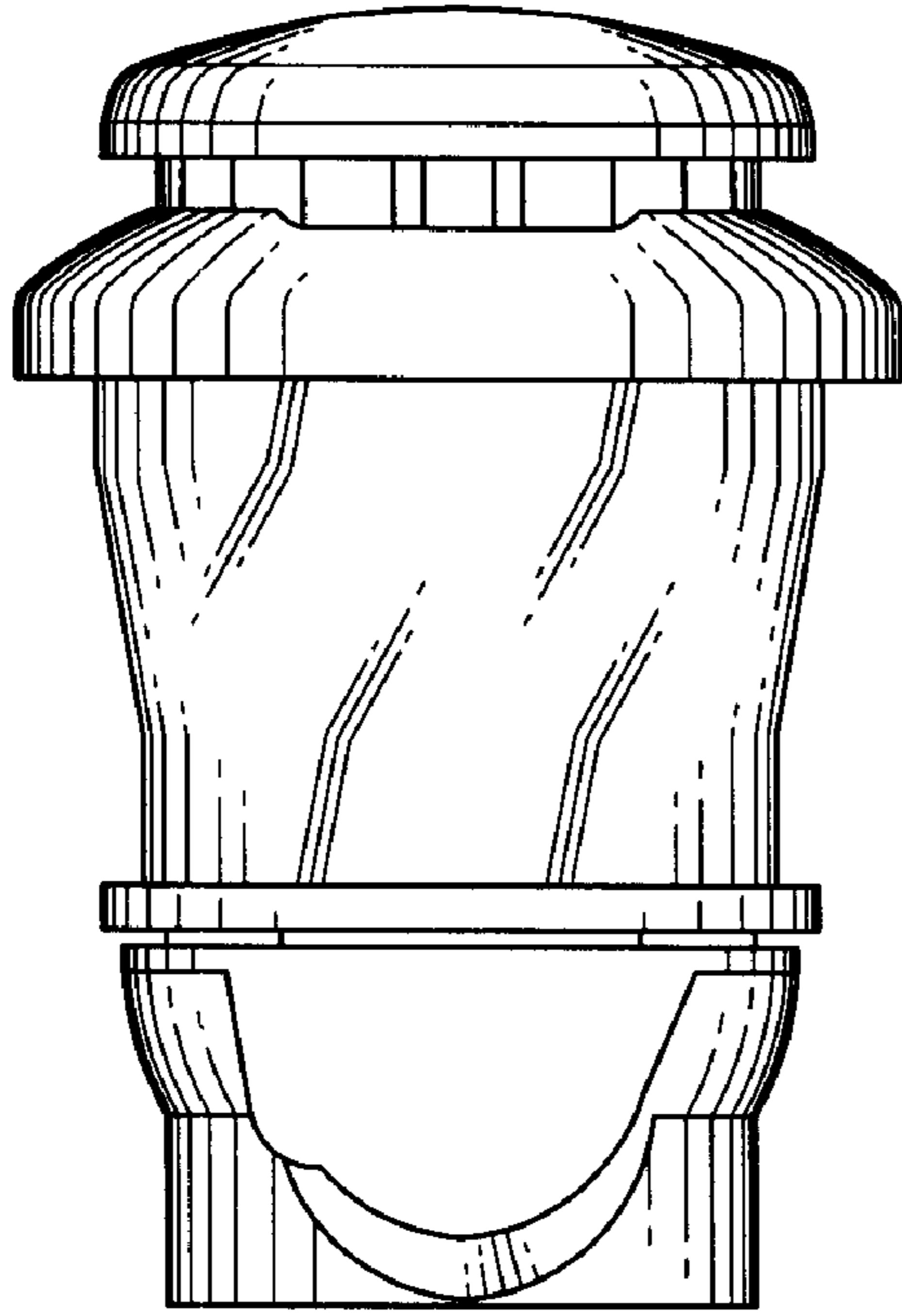


FIG. 8

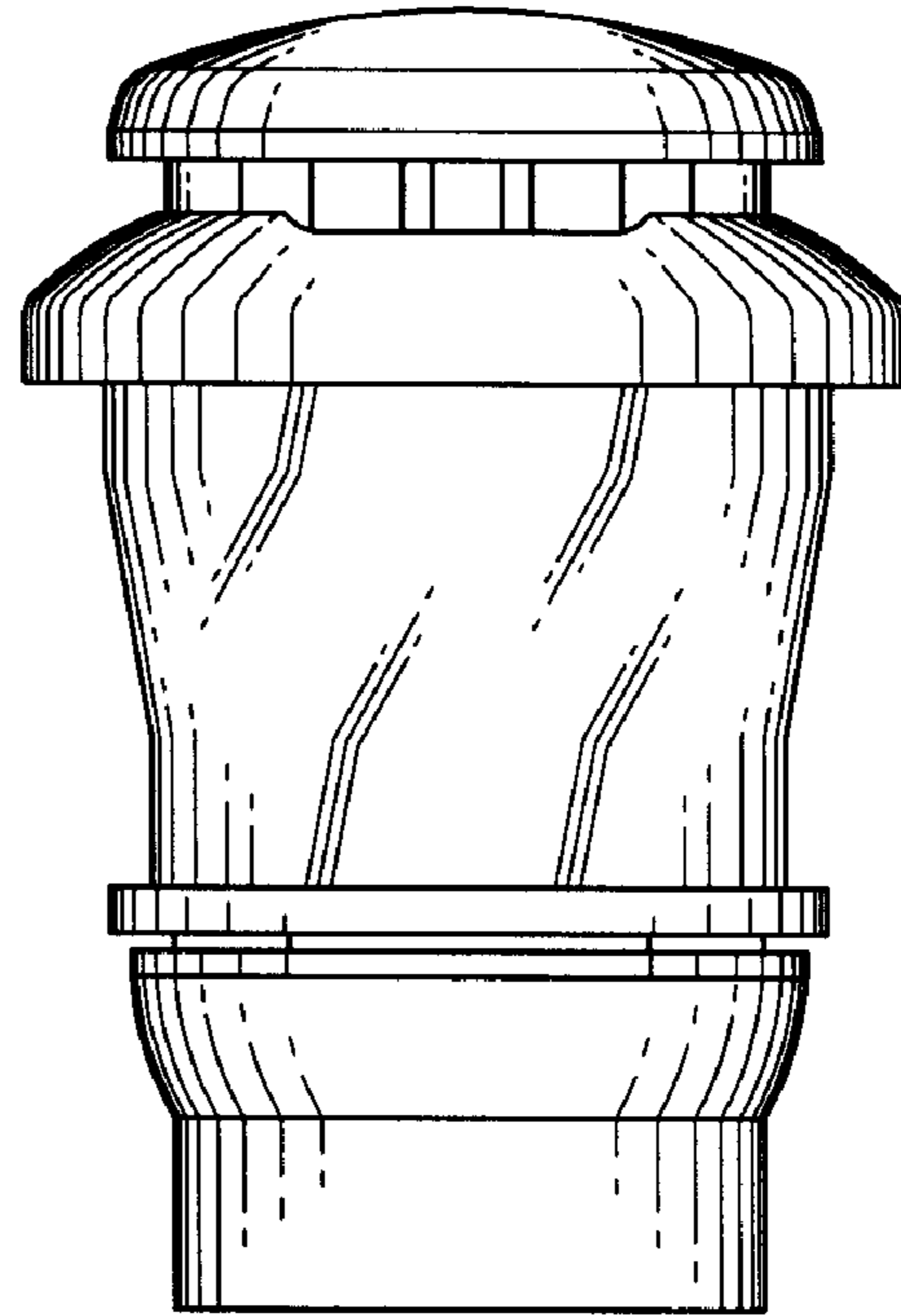


FIG. 9

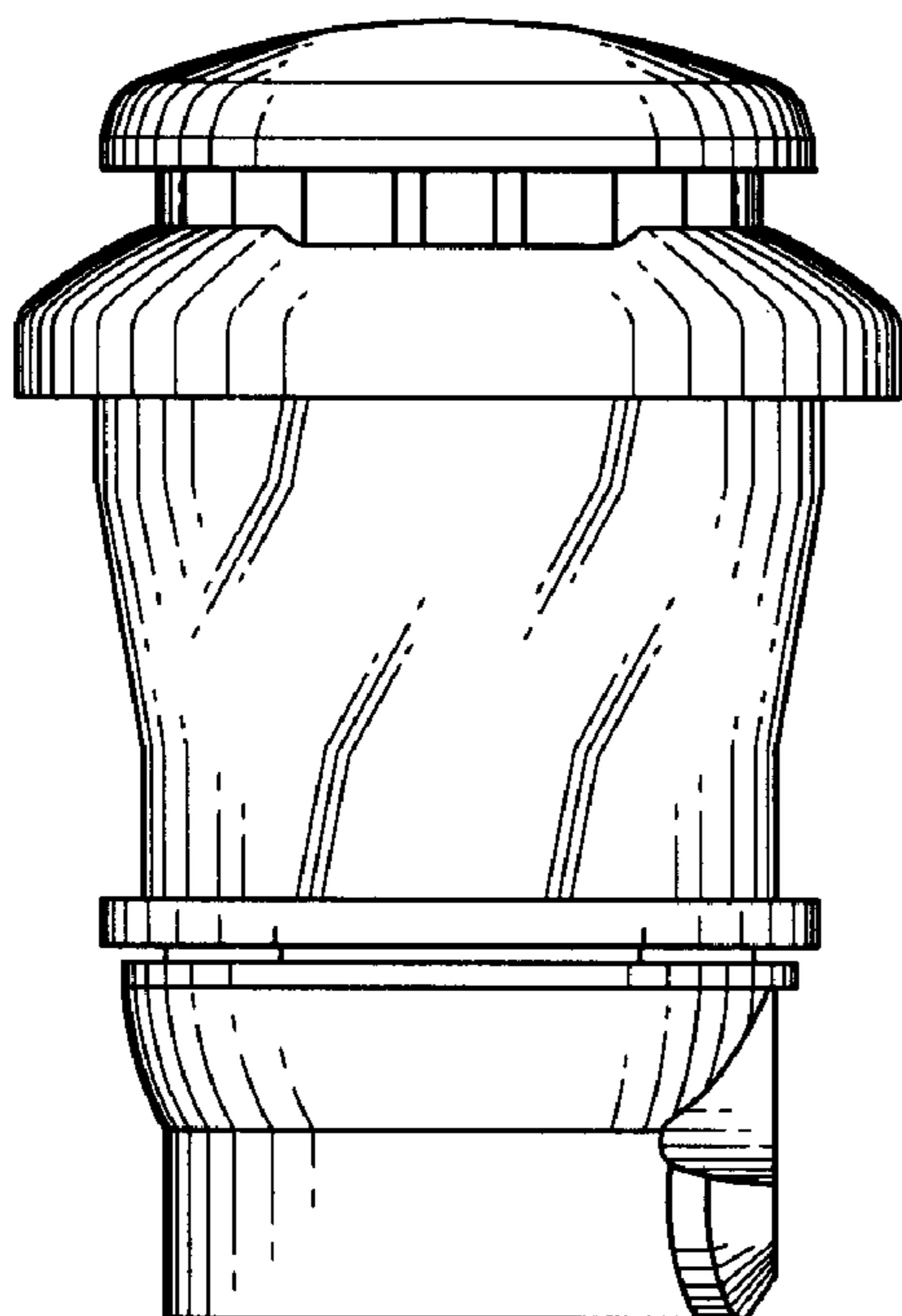


FIG. 10

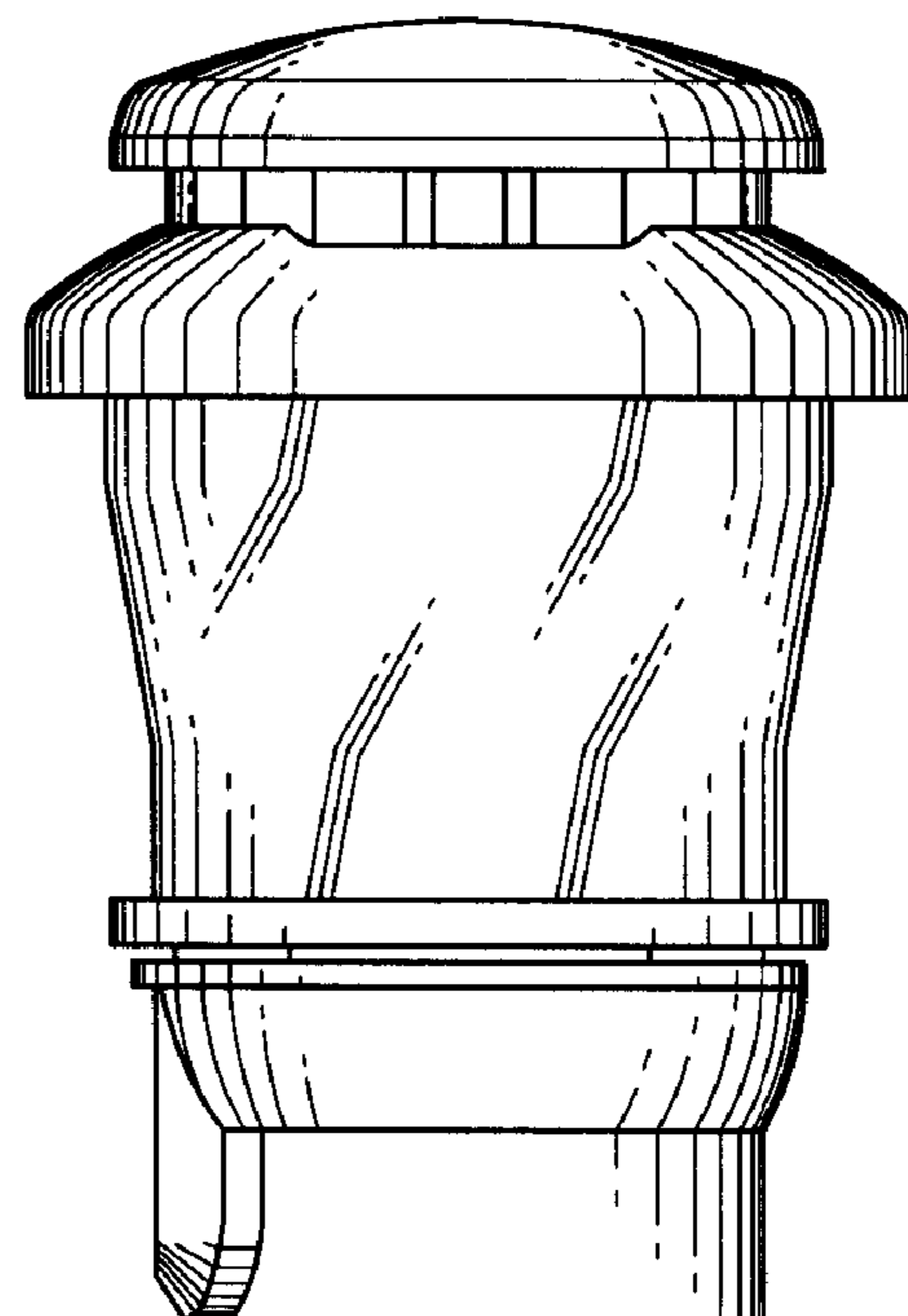


FIG. 11

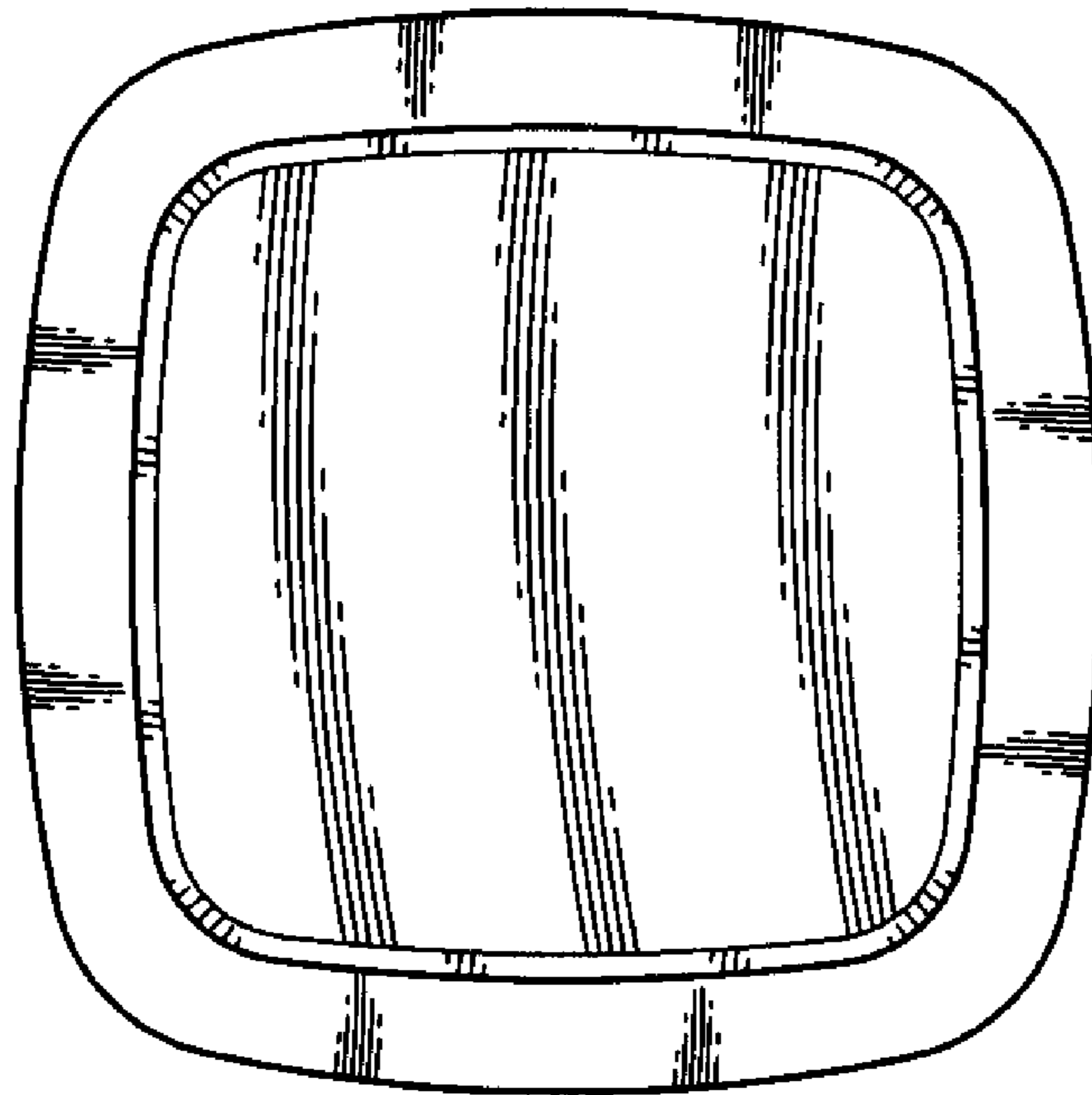


FIG. 12

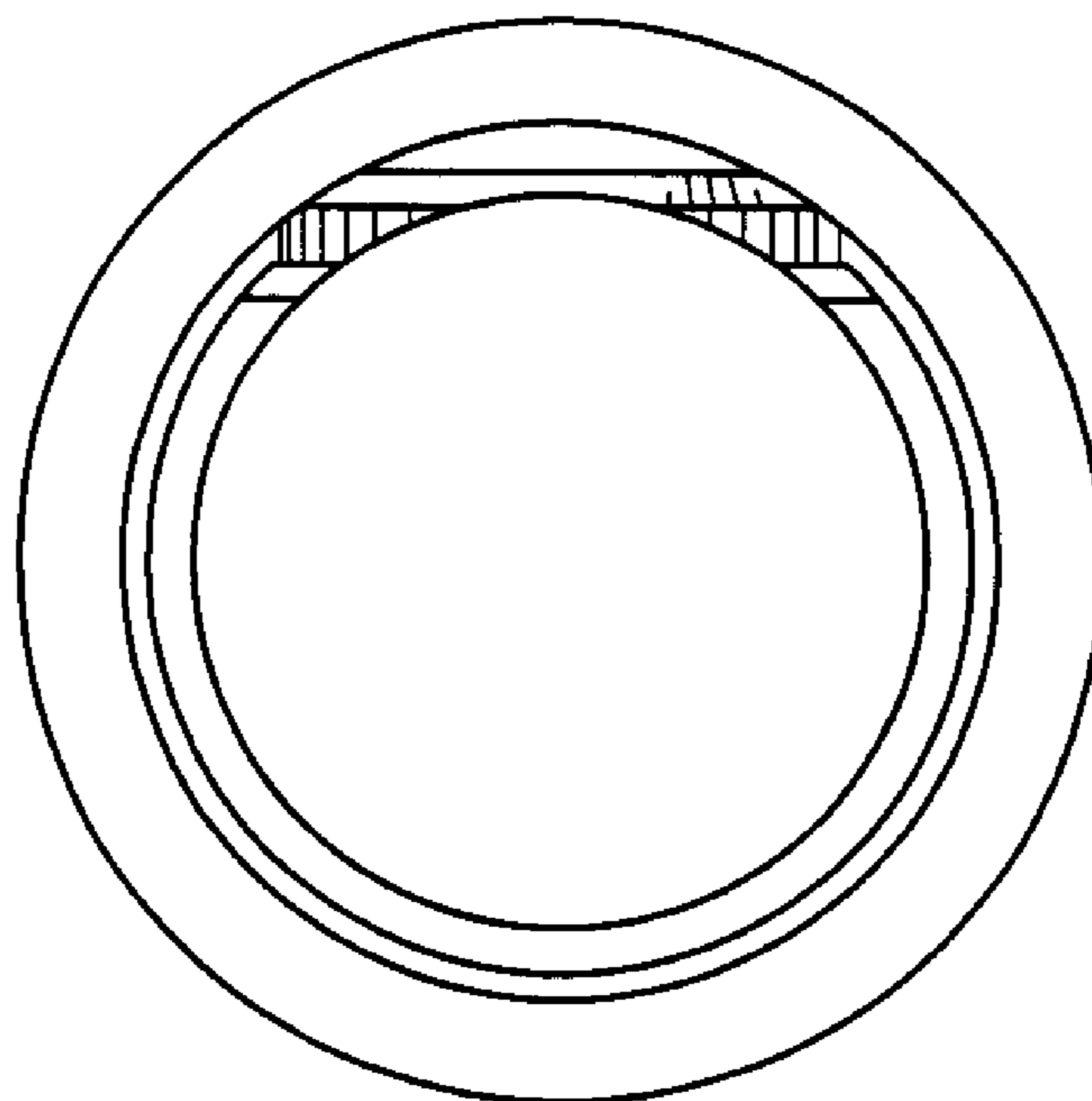


FIG. 13

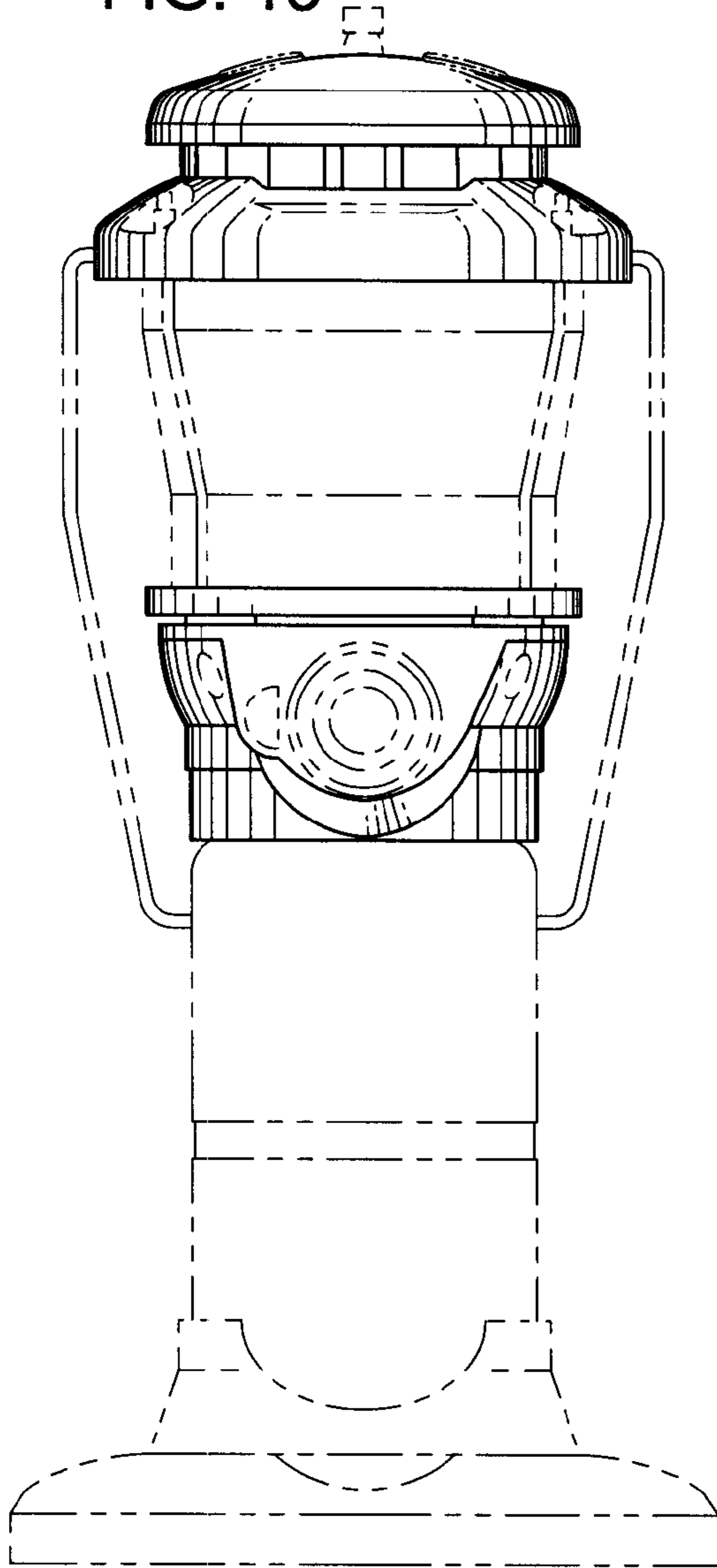


FIG. 14

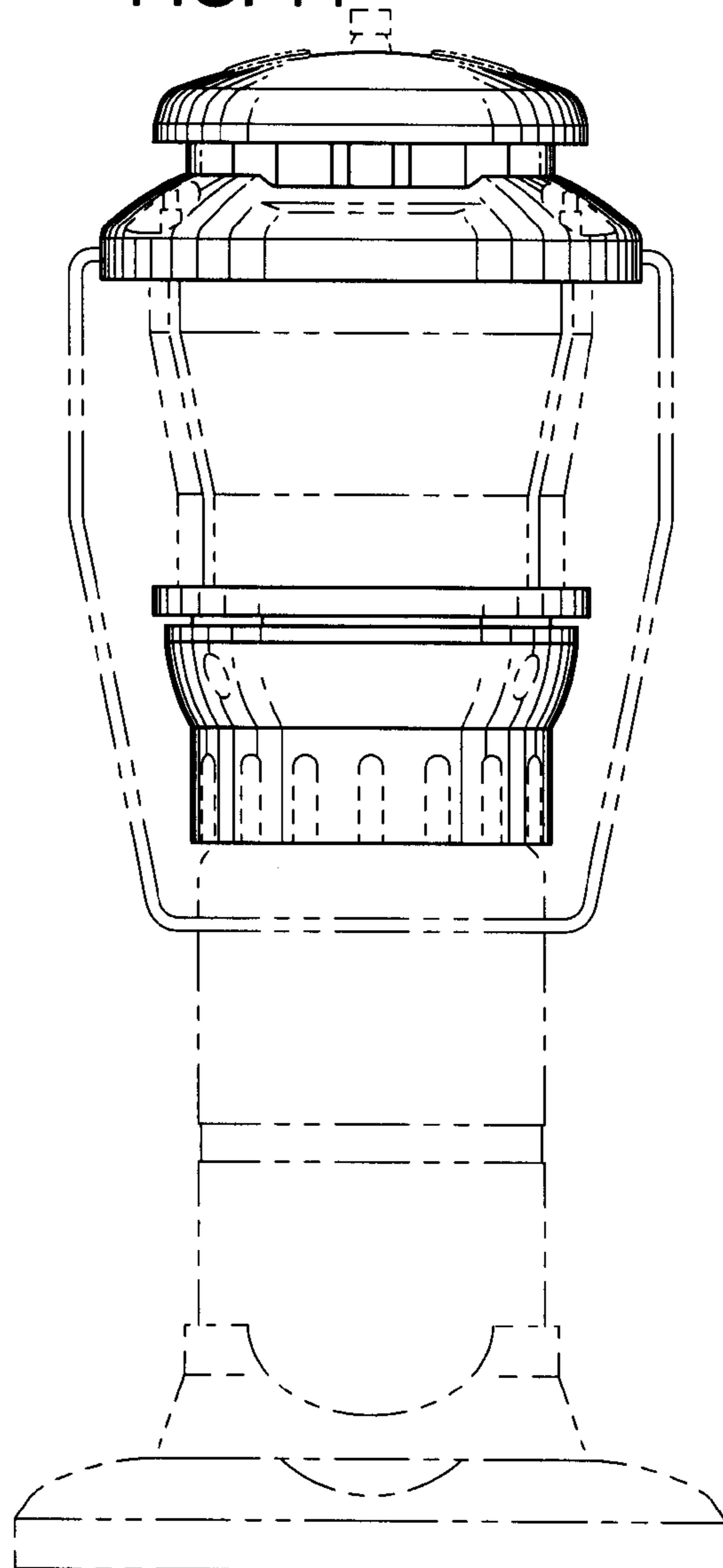




FIG. 15

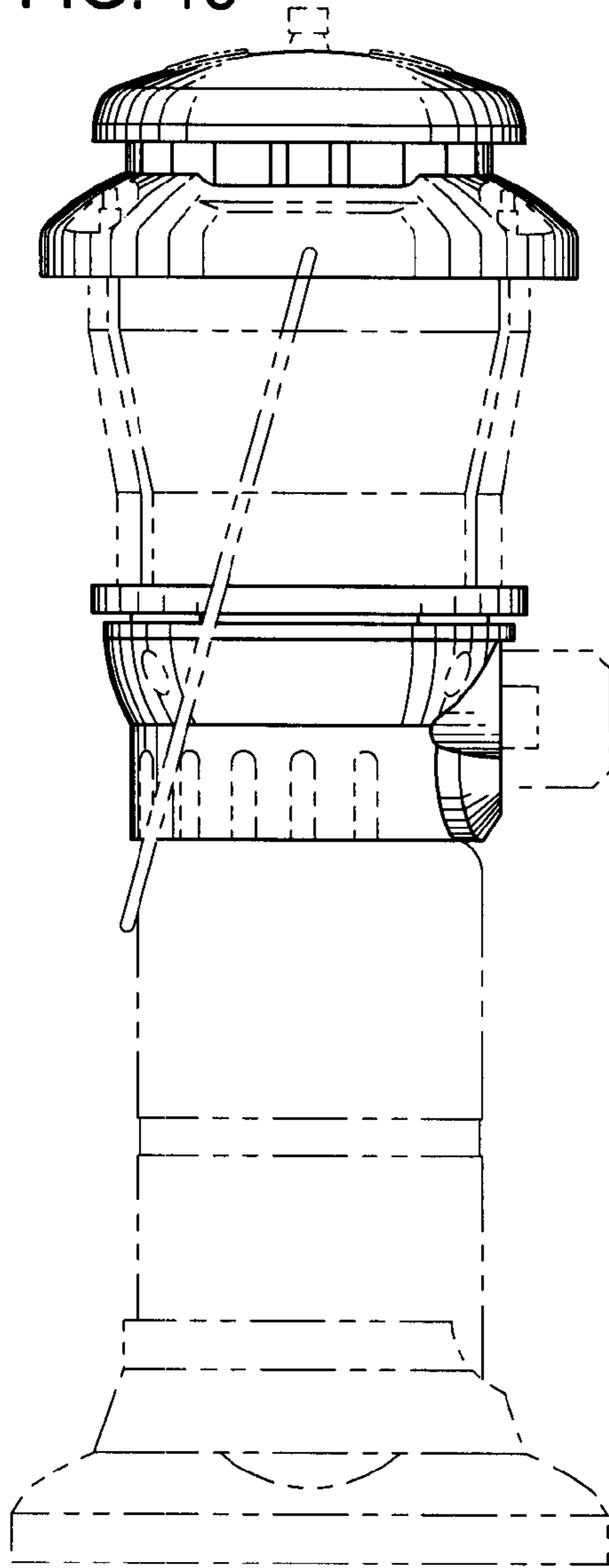


FIG. 16

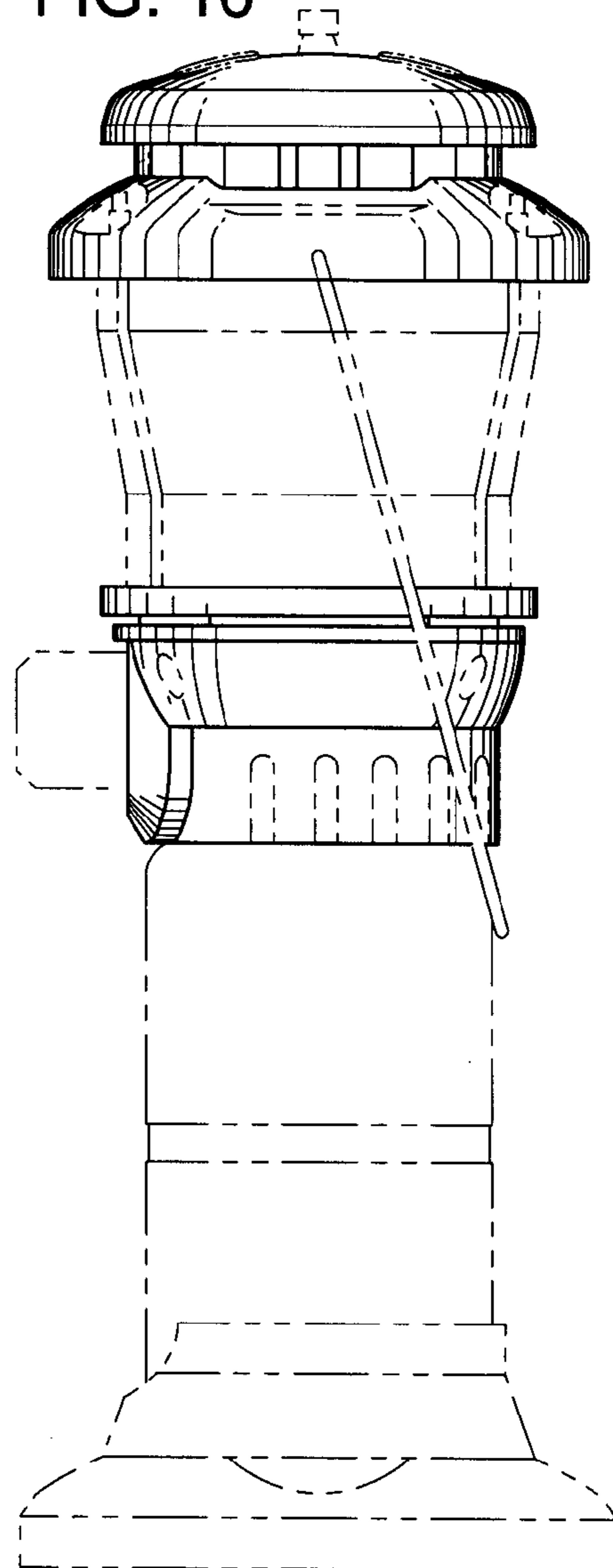


FIG. 17

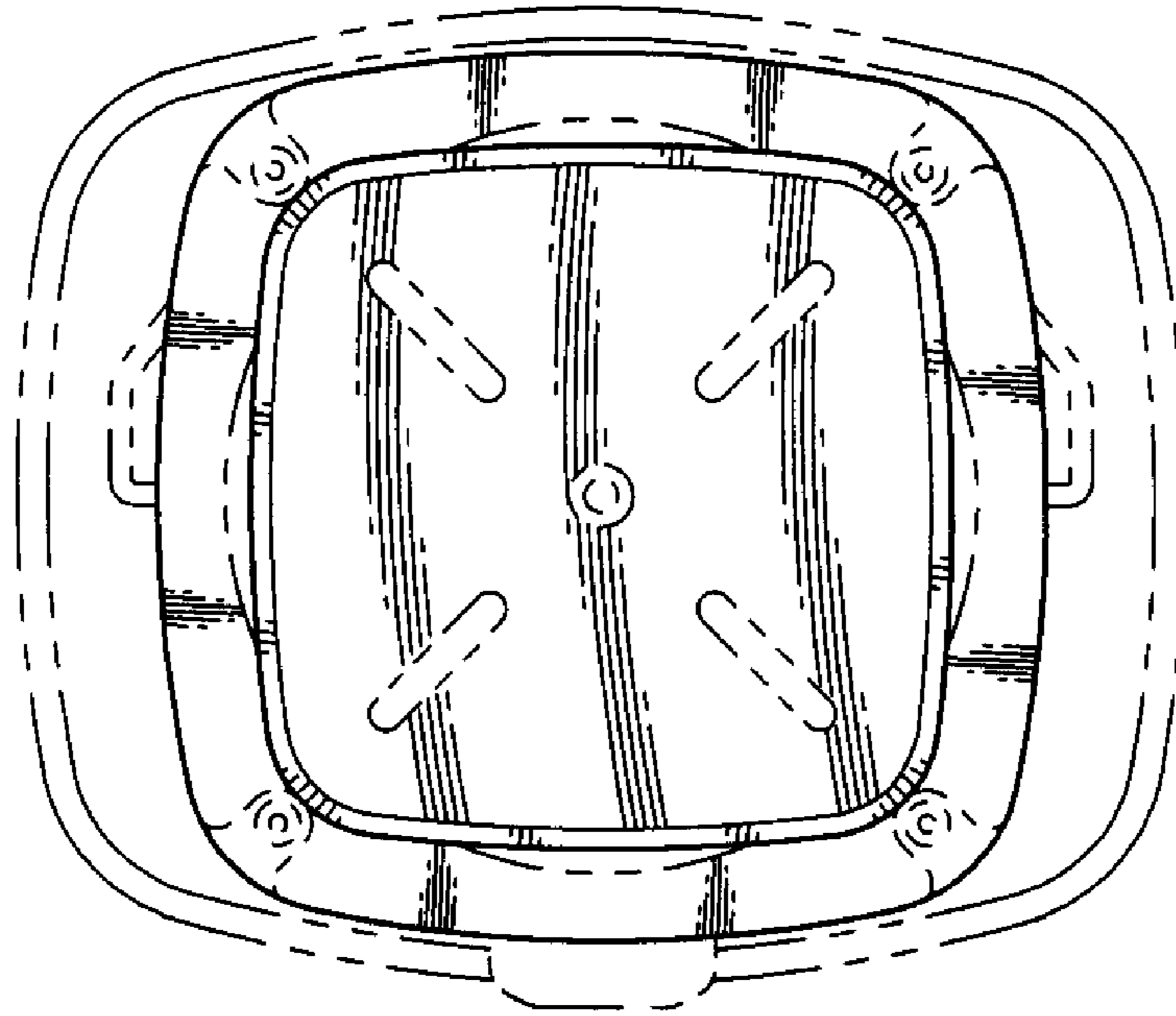


FIG. 18

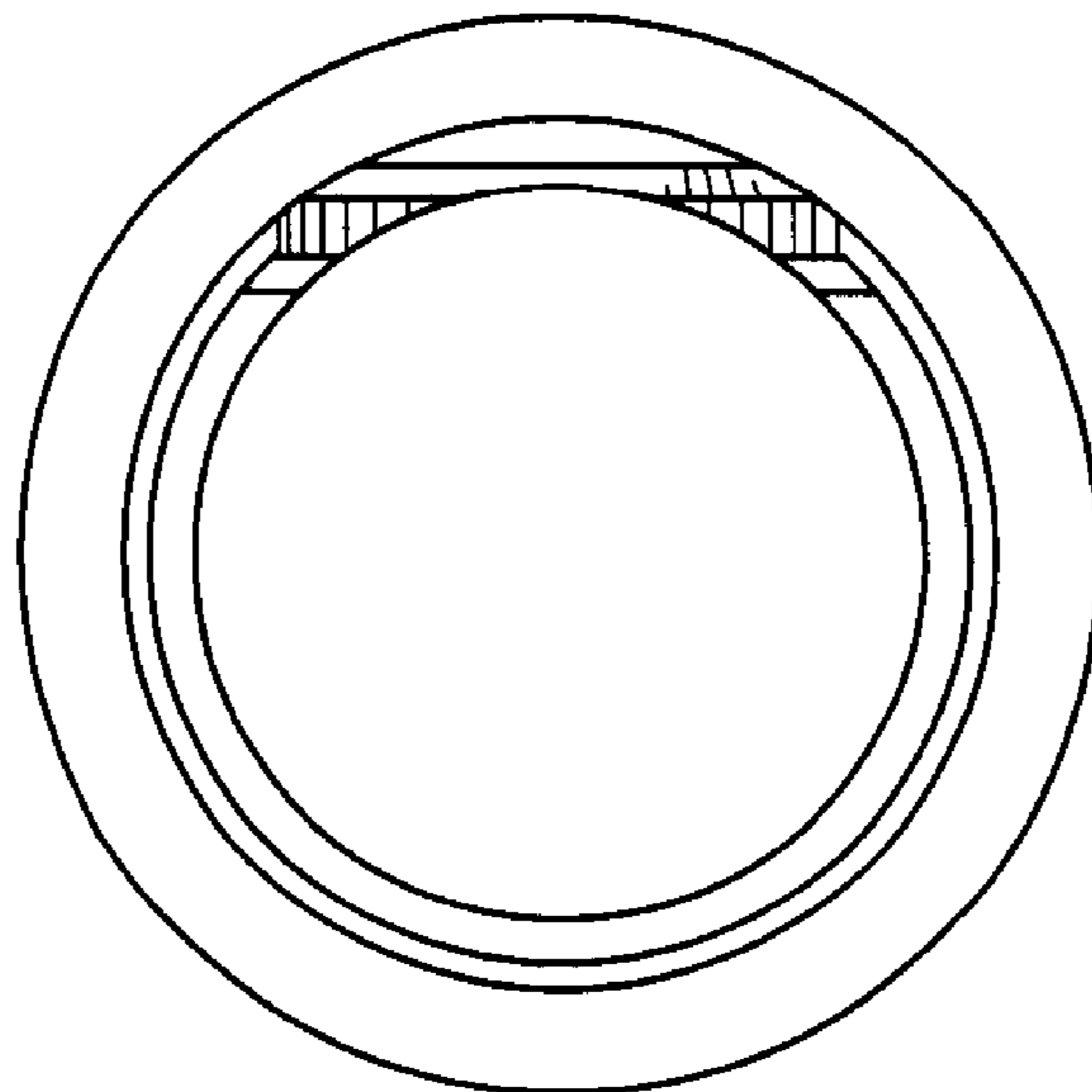


FIG. 19

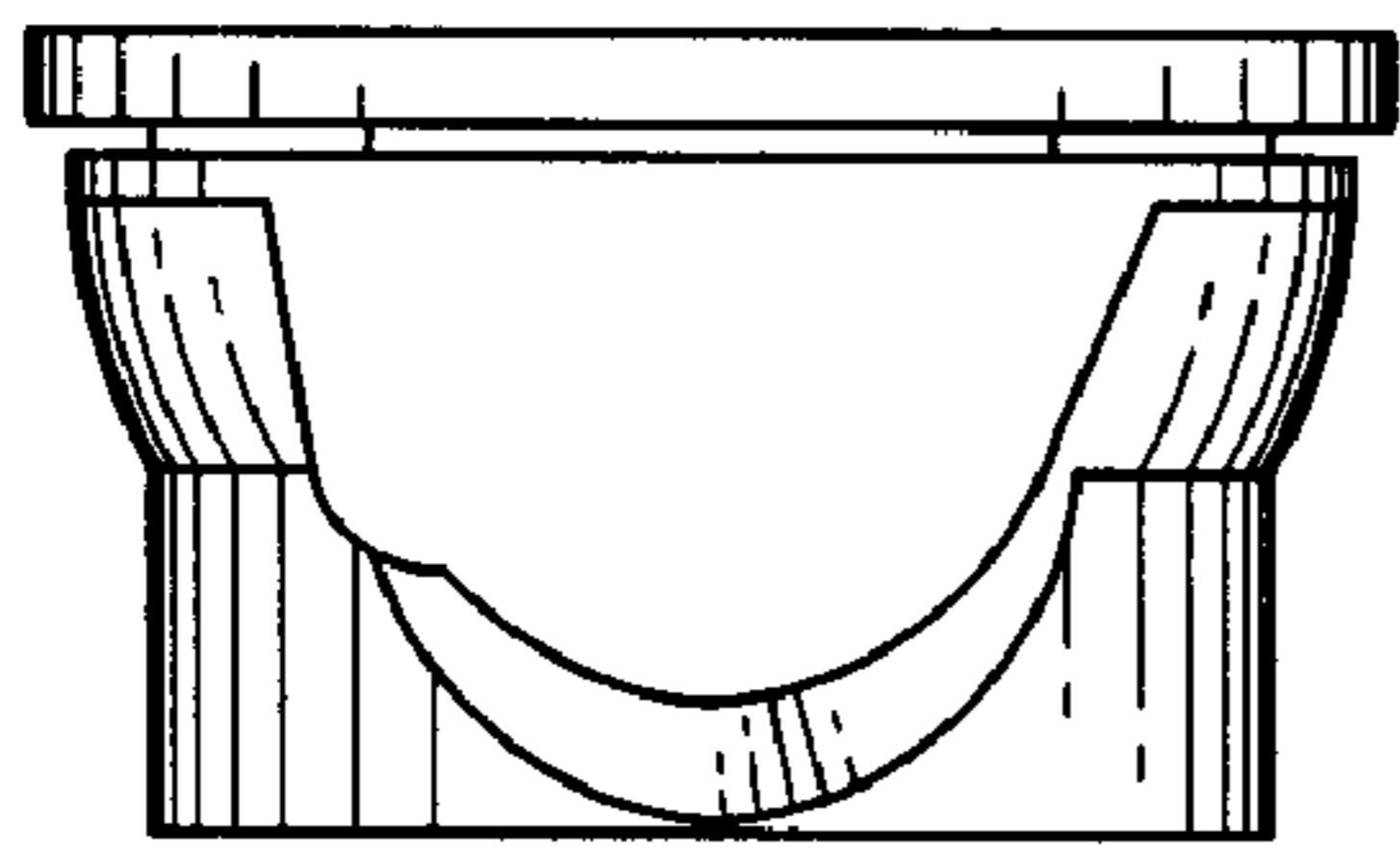
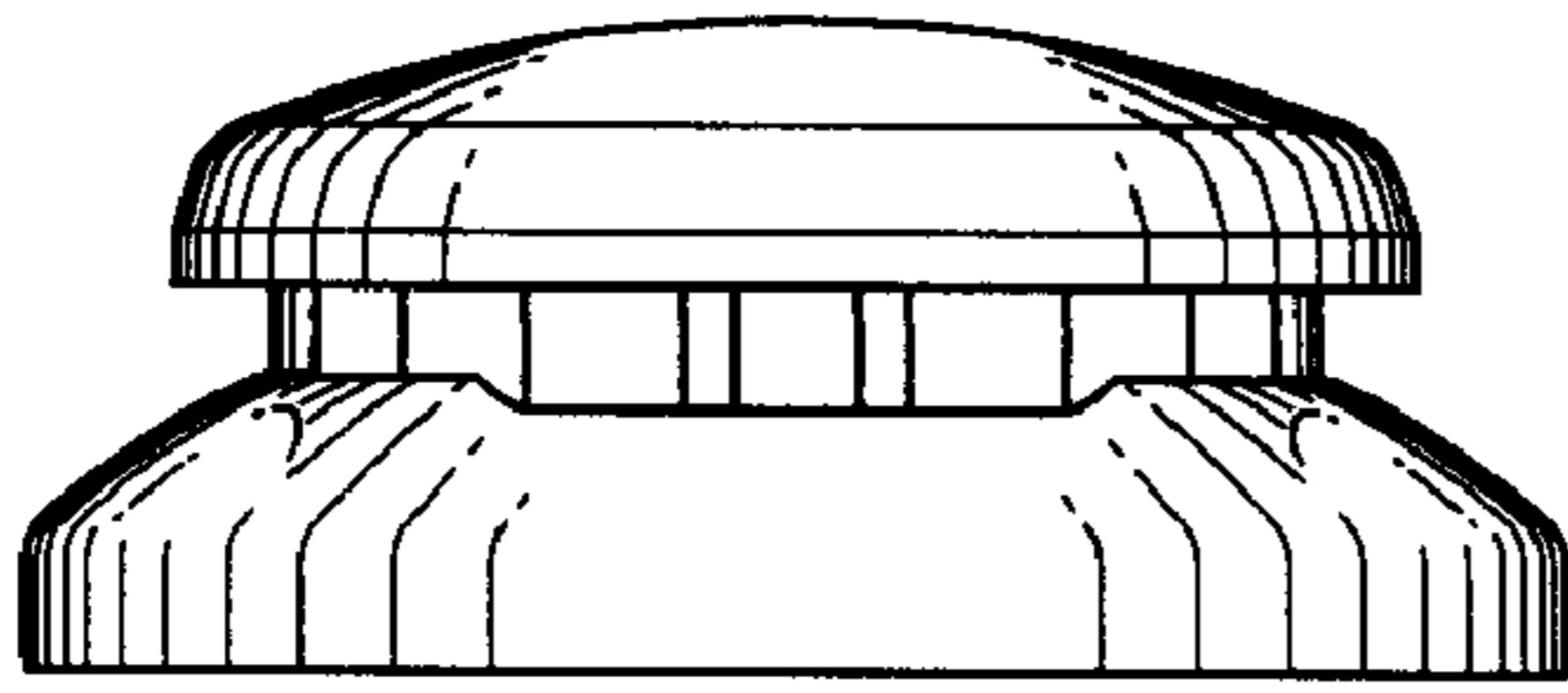


FIG. 20

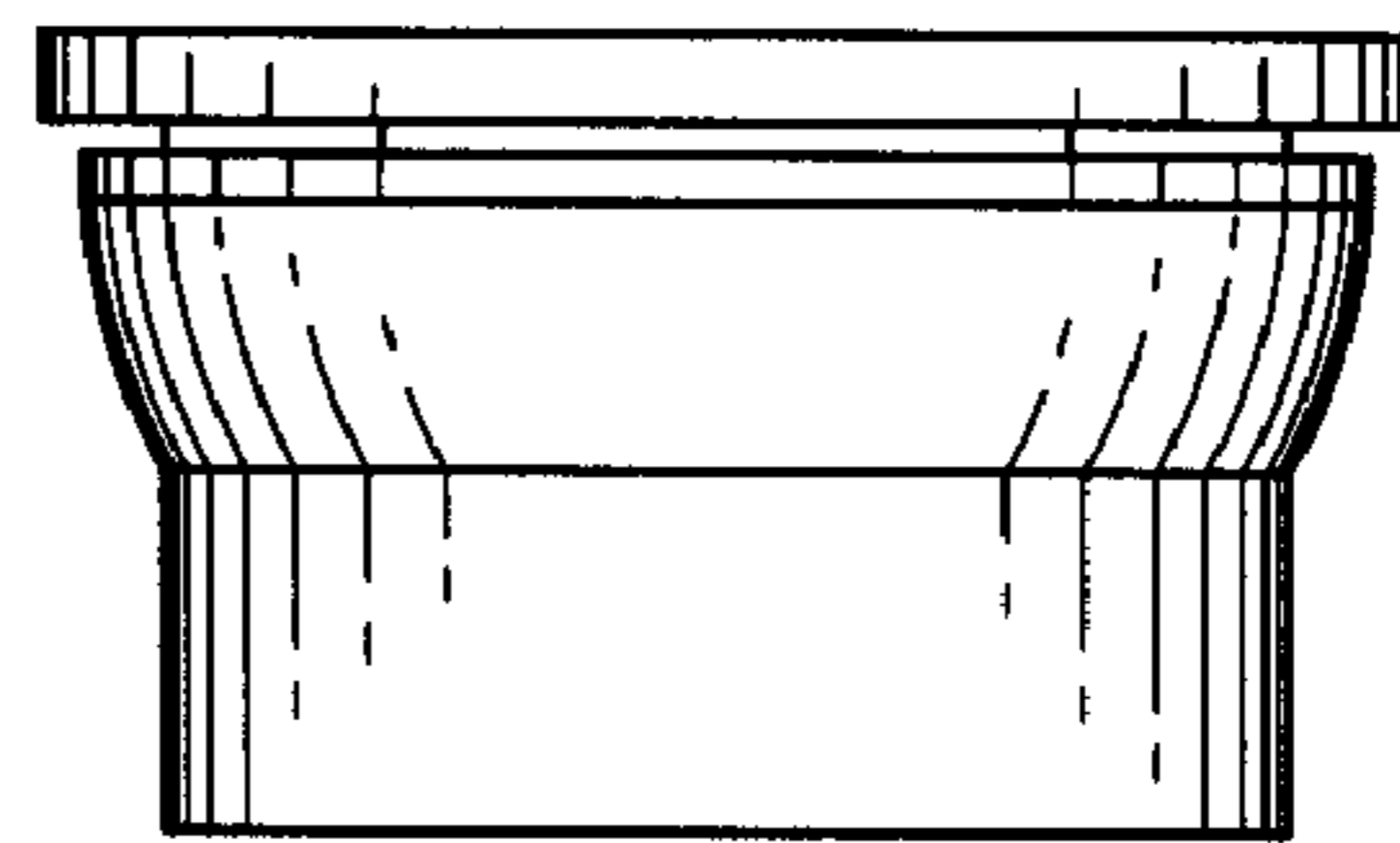
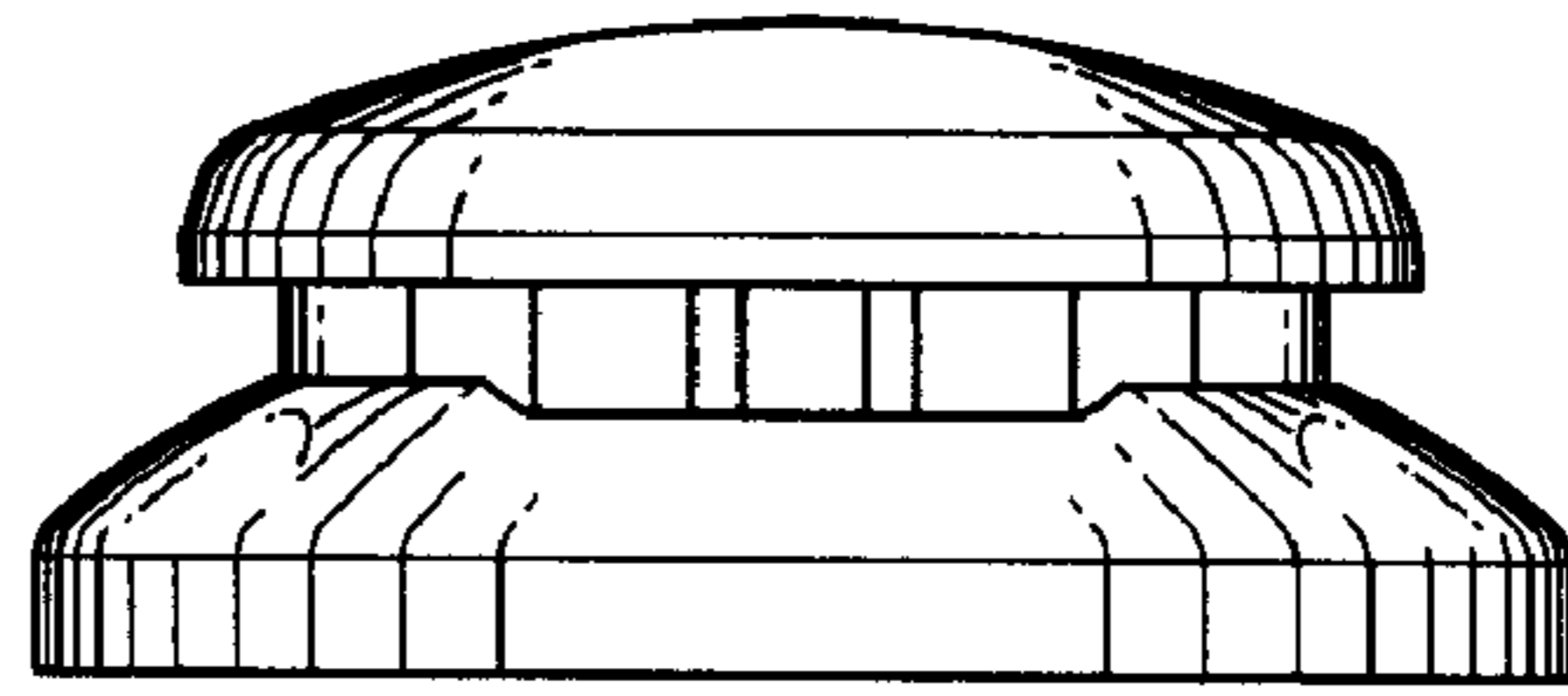


FIG. 21

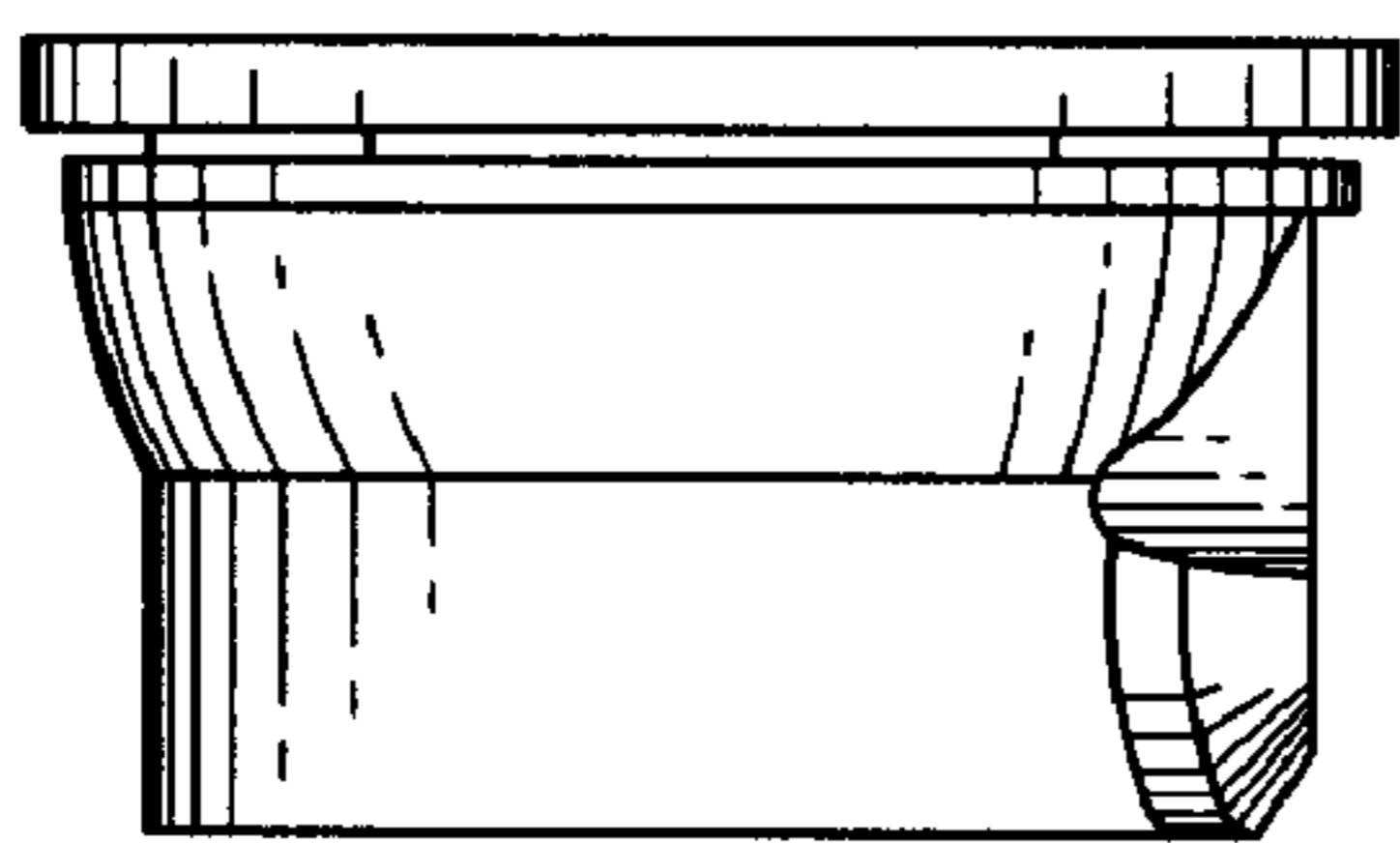
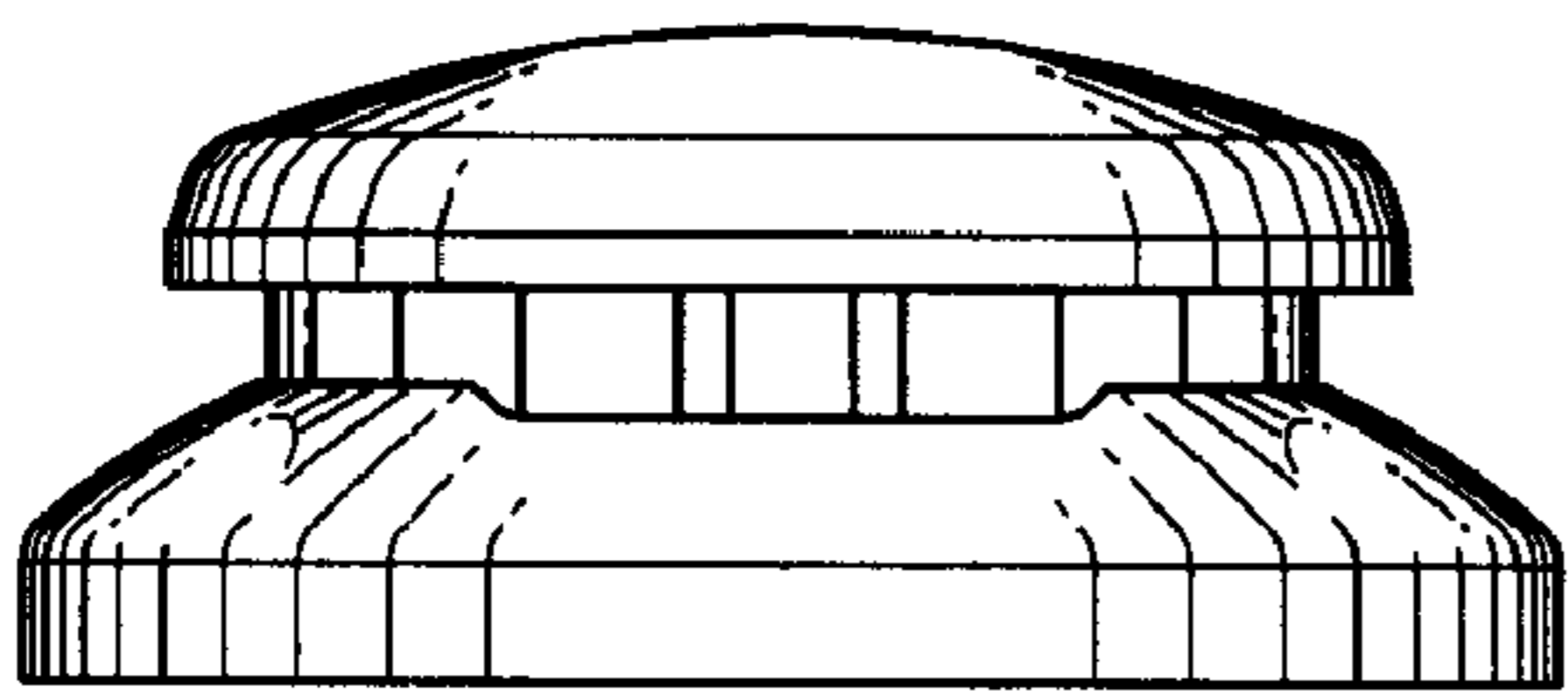


FIG. 22

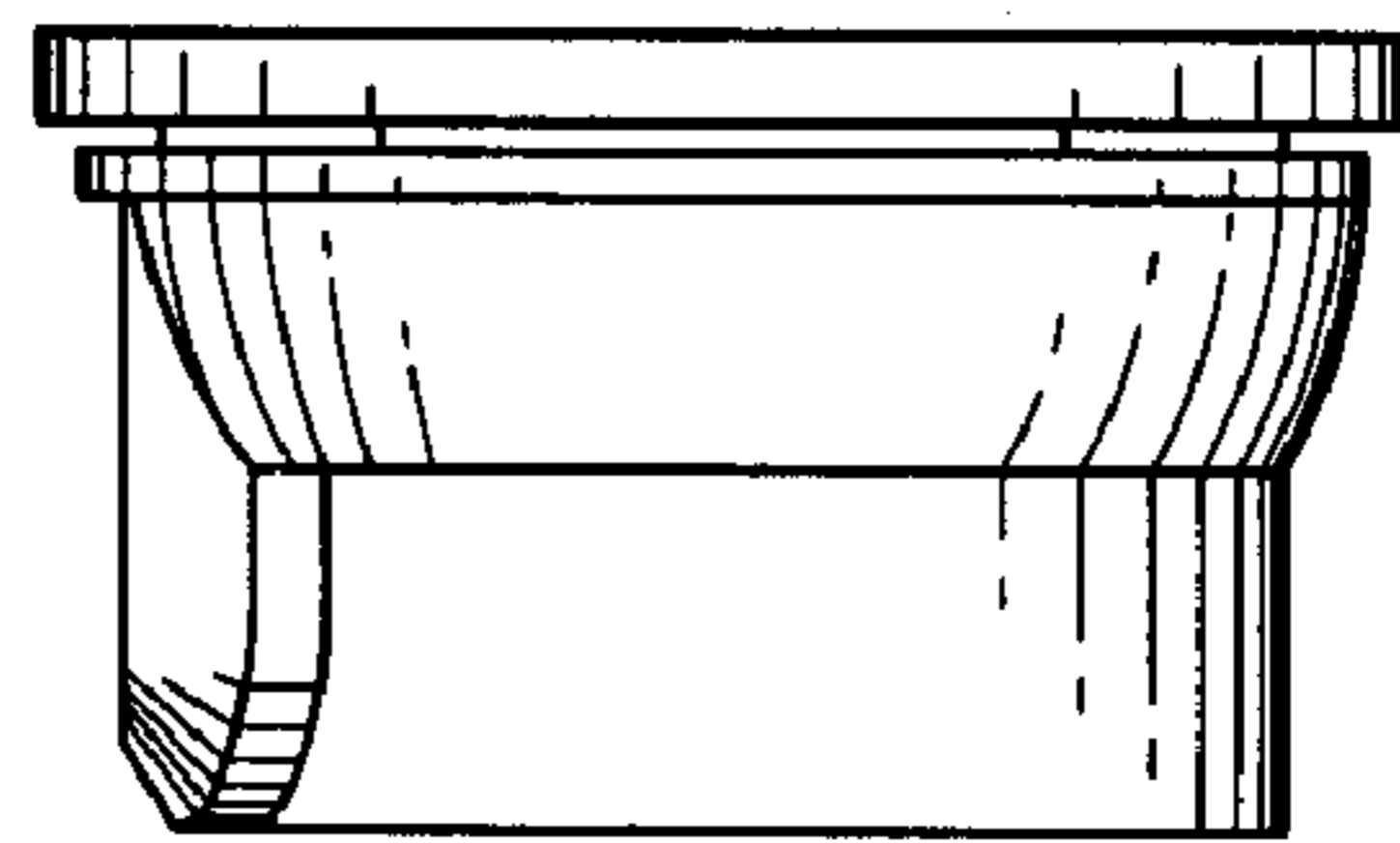
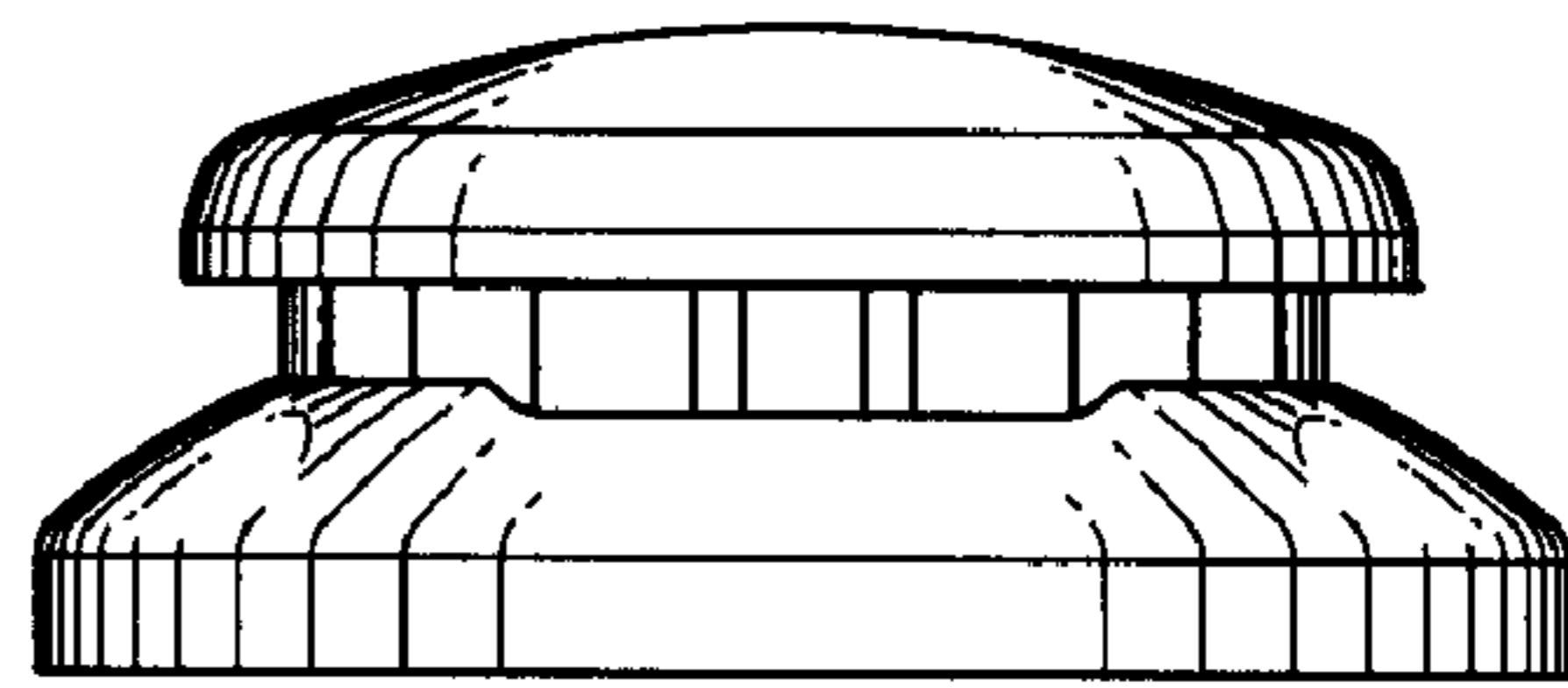


FIG. 23

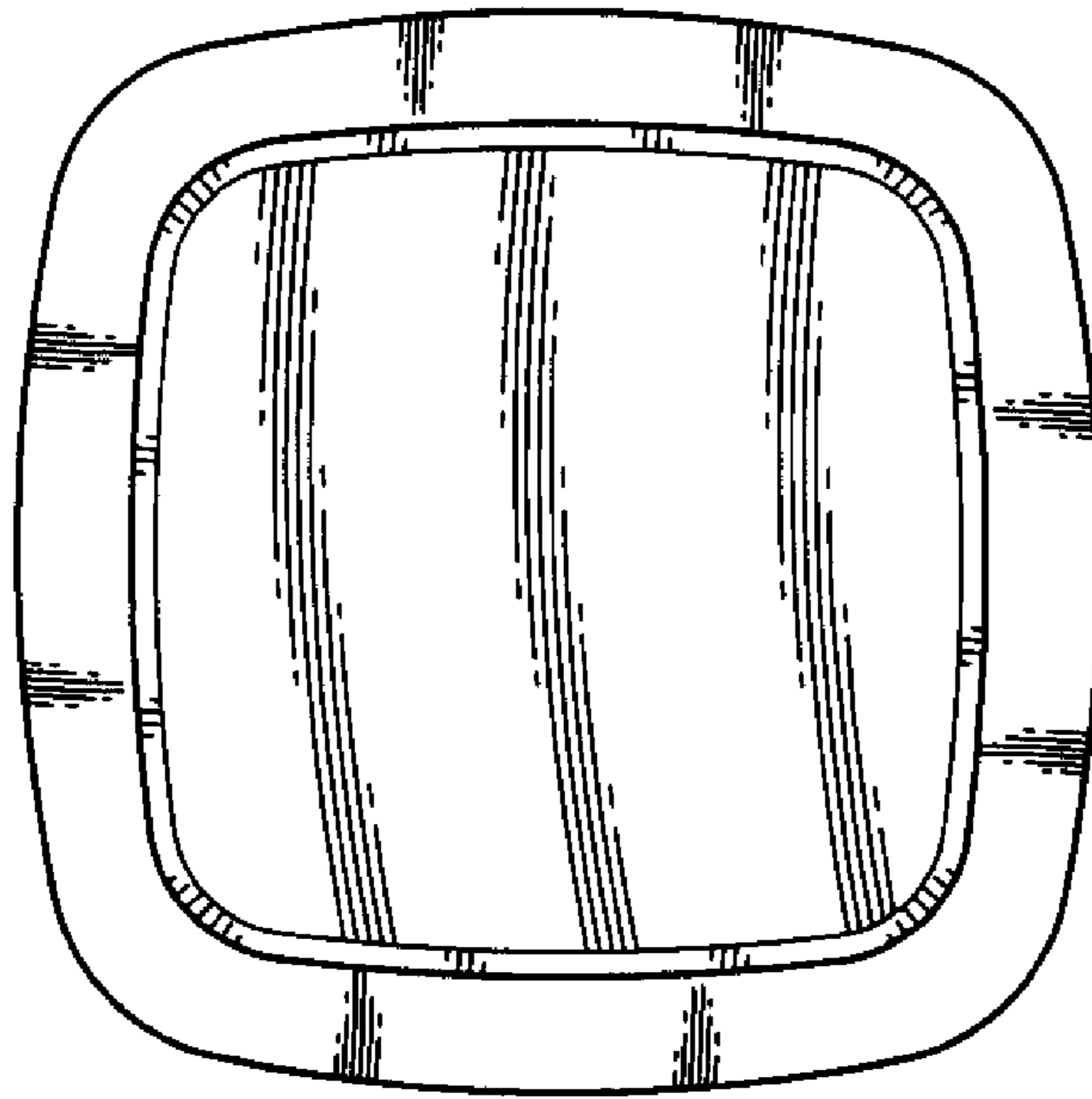


FIG. 24

