



US00D532132S

(12) **United States Design Patent** (10) **Patent No.:** **US D532,132 S**
Holsinger et al. (45) **Date of Patent:** **** Nov. 14, 2006**

(54) **LANTERN**
(75) Inventors: **Philip M. Holsinger**, Topeka, KS (US);
Kenneth G. Schlup, Jr., Newton, KS
(US)
(73) Assignee: **The Coleman Company, Inc.**, Wichita,
KS (US)
(**) Term: **14 Years**

(21) Appl. No.: **29/229,725**
(22) Filed: **May 11, 2005**
(51) **LOC (8) Cl.** **26-02**
(52) **U.S. Cl.** **D26/40**
(58) **Field of Classification Search** D26/37-50;
362/157, 158, 171-174, 183-208
See application file for complete search history.

(56) **References Cited**
U.S. PATENT DOCUMENTS

| | | |
|-------------|---------|----------------|
| 3,807,938 A | 4/1974 | Hastings |
| 3,941,554 A | 3/1976 | Curtis |
| 4,131,414 A | 12/1978 | Curtis |
| 4,321,656 A | 3/1982 | Gruver, Jr. |
| 4,535,390 A | 8/1985 | Curtis et al. |
| 4,599,683 A | 7/1986 | Beckham et al. |
| 4,663,697 A | 5/1987 | Stearns et al. |
| D311,777 S | 10/1990 | Stearns |
| D337,644 S | 7/1993 | Stearns et al. |
| 5,293,306 A | 3/1994 | Bamber |
| D350,830 S | 9/1994 | Bamber |
| 5,533,892 A | 7/1996 | Long |

(Continued)

OTHER PUBLICATIONS

U.S. Appl. No. 29/229,904, Holsinger et al., filed May 13,
2005.
The Coleman Company, Inc., "Coleman Lanterns," Cole-
man Collectors' Guide 1903-1954 on CD-ROM, pp. 1-30.
The Coleman Company, Inc., "Coleman Lamps," Coleman
Collectors' Guide 1903-1954 on CD-ROM, pp. 1-57.

Tucker, Carl R., "Coleman Lighting Systems," Coleman
Collectors' Guide 1903-1954 on CD-ROM, pp. 1-34, The
Coleman Company, Inc., 1993.

Primary Examiner—Marcus A. Jackson
(74) *Attorney, Agent, or Firm*—Leydig, Voit & Mayer, Ltd.

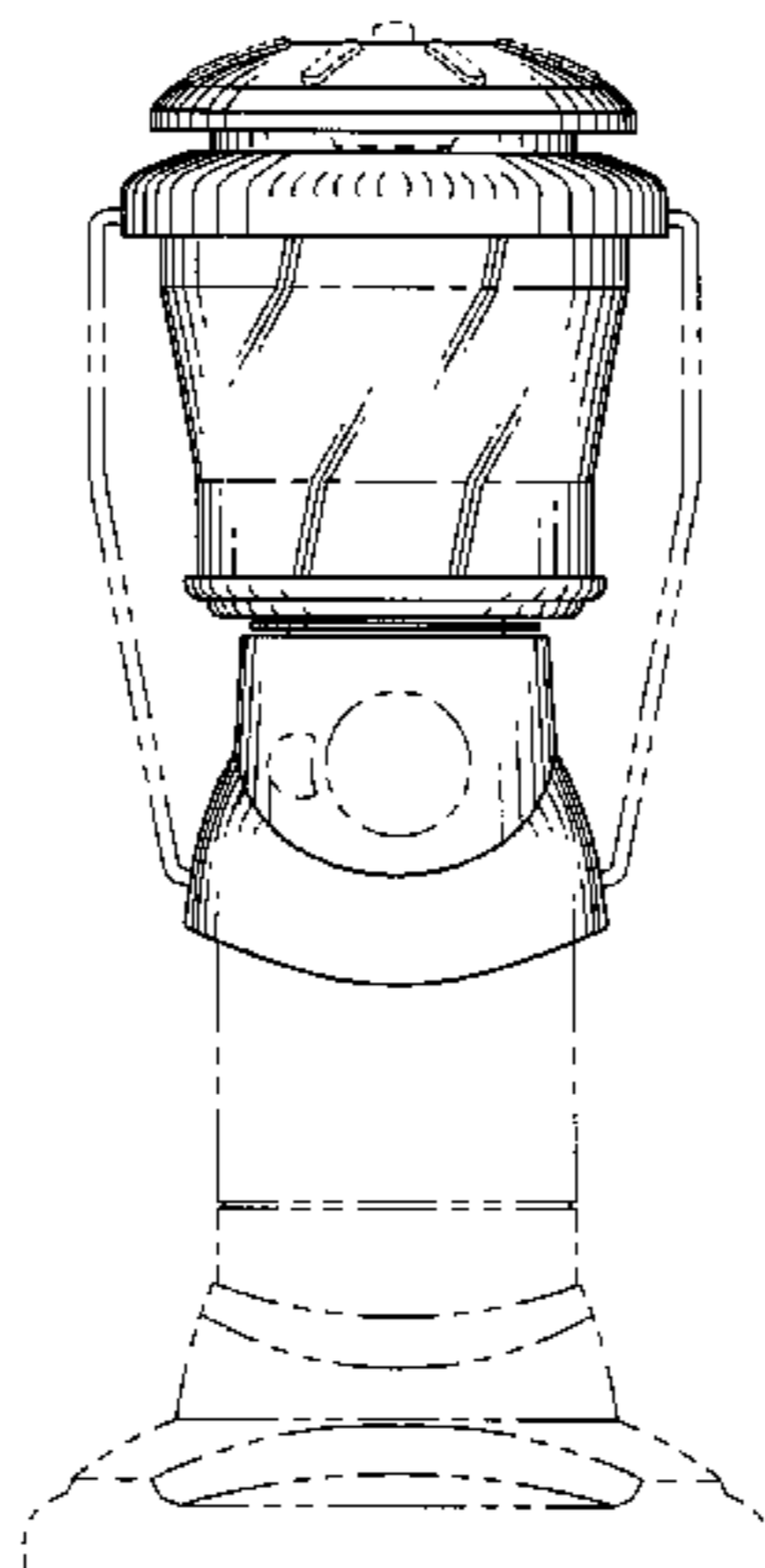
(57) **CLAIM**

The ornamental design for a lantern, as shown and
described.

DESCRIPTION

FIG. 1 is a front view of a first embodiment of a lantern in
accordance with the present invention;
FIG. 2 is a rear view thereof;
FIG. 3 is a left side view thereof;
FIG. 4 is a right side view thereof;
FIG. 5 is a top view thereof;
FIG. 6 is a bottom view thereof;
FIG. 7 is a front view of the same embodiment of the lantern
shown in FIG. 1, with broken lines removed in this view;
FIG. 8 is a rear view thereof;
FIG. 9 is a left side view thereof;
FIG. 10 is a right side view thereof;
FIG. 11 is a top view thereof;
FIG. 12 is a bottom view thereof;
FIG. 13 is a front view of a second embodiment of a lantern
in accordance with the present invention;
FIG. 14 is a rear view thereof;
FIG. 15 is a left side view thereof;
FIG. 16 is a right side view thereof;
FIG. 17 is a top view thereof;
FIG. 18 is a bottom view thereof;
FIG. 19 is a front view of the same embodiment of the
lantern shown in FIG. 13, with broken lines removed in this
view;
FIG. 20 is a rear view thereof;
FIG. 21 is a left side view thereof;
FIG. 22 is a right side view thereof;
FIG. 23 is a top view thereof; and,
FIG. 24 is a bottom view thereof.
The broken line showing is for illustrative purposes only and
forms no part of the claimed design.

1 Claim, 11 Drawing Sheets



US D532,132 S

Page 2

U.S. PATENT DOCUMENTS

| | | | |
|--------------|-----------|-------------------|--------|
| D374,099 S | 9/1996 | Bamber | |
| D390,984 S | 2/1998 | Long et al. | |
| D393,323 S | 4/1998 | Howard et al. | |
| 5,758,949 A | 6/1998 | Van Deursen | |
| D397,467 S | 8/1998 | Howard et al. | |
| D399,016 S | 9/1998 | Howard et al. | |
| 5,836,757 A | 11/1998 | Long et al. | |
| 5,860,729 A | 1/1999 | Bamber | |
| 5,902,100 A | 5/1999 | Long | |
| 6,030,094 A | 2/2000 | Sedovic et al. | |
| 6,042,366 A | 3/2000 | Long et al. | |
| D424,227 S | 5/2000 | Long | |
| D433,762 S | * 11/2000 | Yuen | D26/40 |
| D440,677 S | 4/2001 | Long et al. | |
| D441,887 S | 5/2001 | Long et al. | |
| D443,087 S | 5/2001 | Israel et al. | |
| D443,088 S | 5/2001 | Skidmore et al. | |
| D443,706 S | 6/2001 | Israel et al. | |
| D448,518 S | 9/2001 | Long et al. | |
| D450,867 S | * 11/2001 | Long et al. | D26/37 |
| D451,220 S | 11/2001 | Long et al. | |
| 6,378,551 B1 | 4/2002 | Long | |
| 6,394,630 B1 | 5/2002 | Skidmore et al. | |
| 6,485,290 B1 | 11/2002 | Long | |
| D468,039 S | * 12/2002 | Poon | D26/40 |
| 6,488,495 B1 | 12/2002 | Long et al. | |
| D483,892 S | * 12/2003 | Poon | D26/40 |
| D485,928 S | * 1/2004 | Leung et al. | D26/40 |
| D487,597 S | 3/2004 | Leung et al. | |
| D487,809 S | * 3/2004 | Leung et al. | D26/40 |
| 6,846,091 B1 | 1/2005 | Long | |
| 6,848,809 B1 | 2/2005 | Long | |
| D503,006 S | * 3/2005 | May et al. | D26/40 |
| D509,921 S | * 9/2005 | Lam | D26/40 |

* cited by examiner

FIG. 1

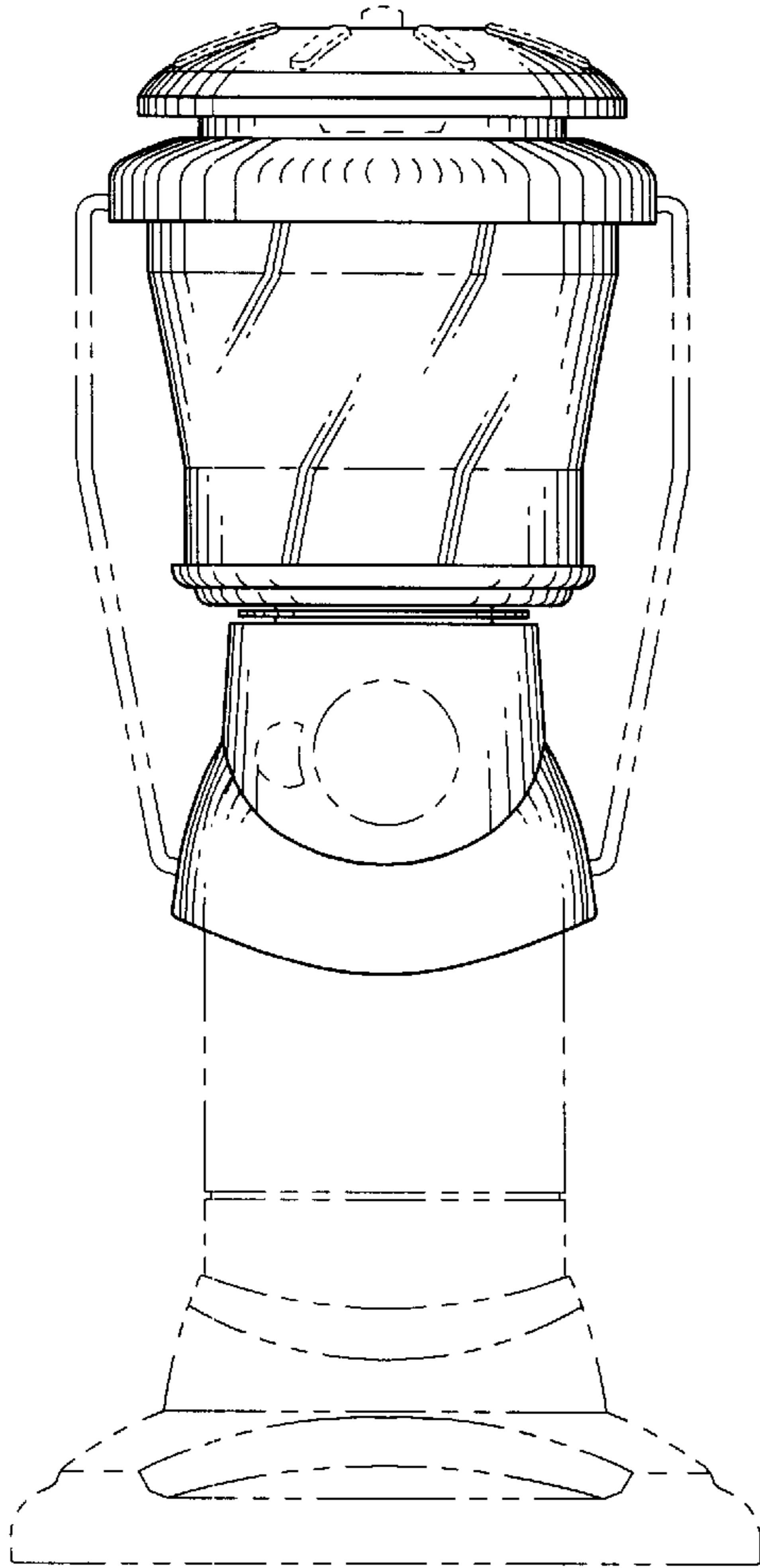


FIG. 2

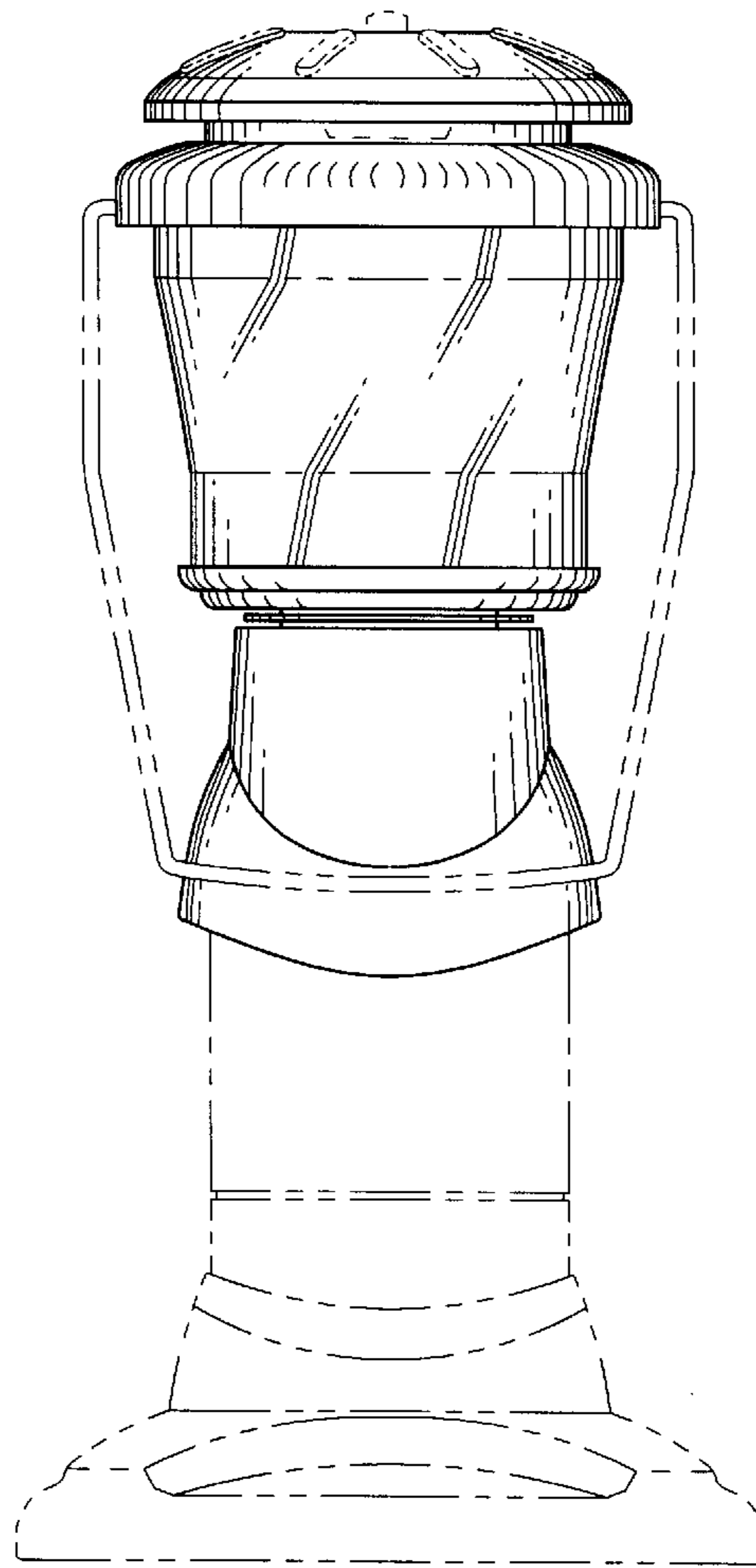


FIG. 3

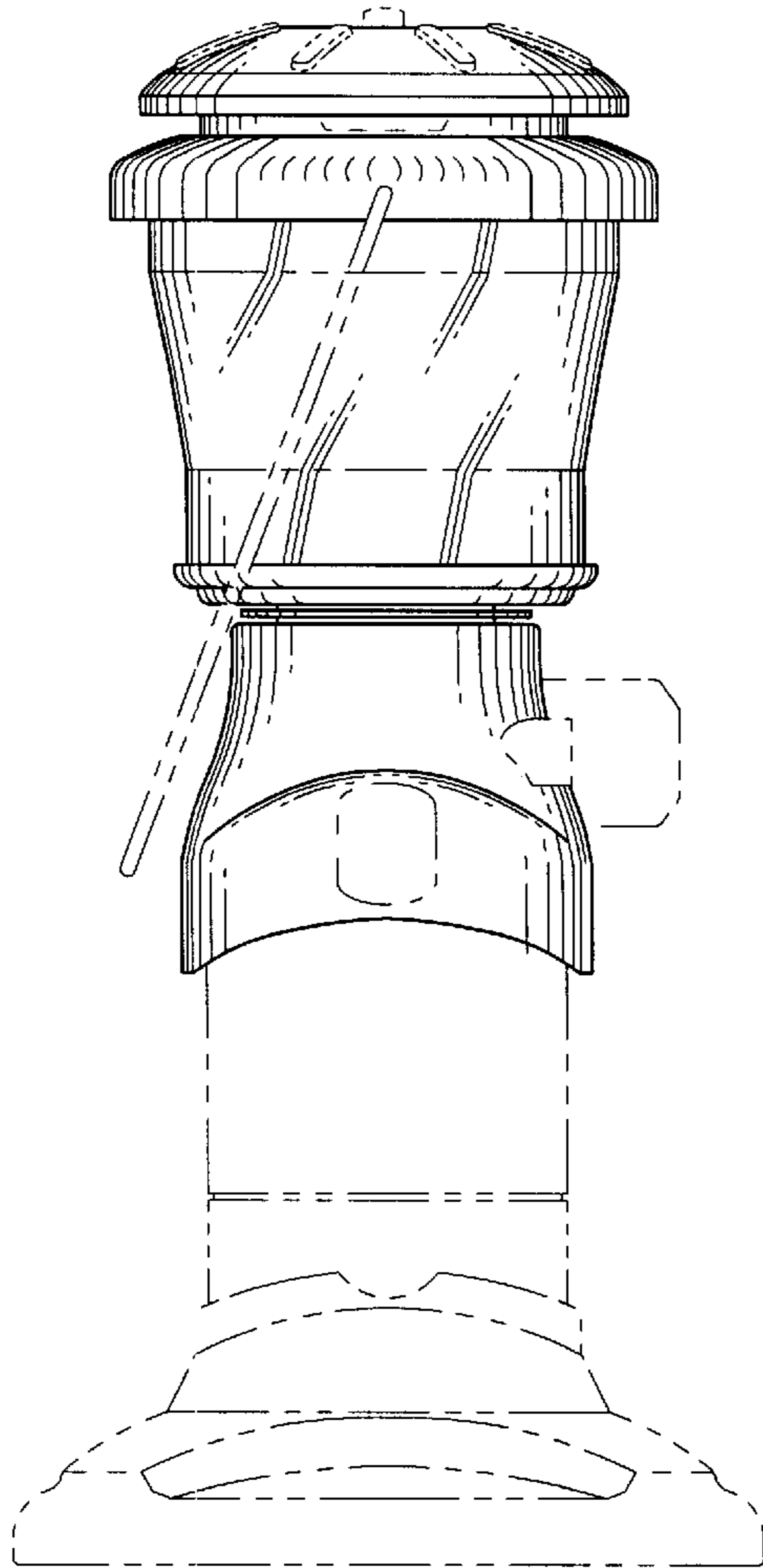


FIG. 4

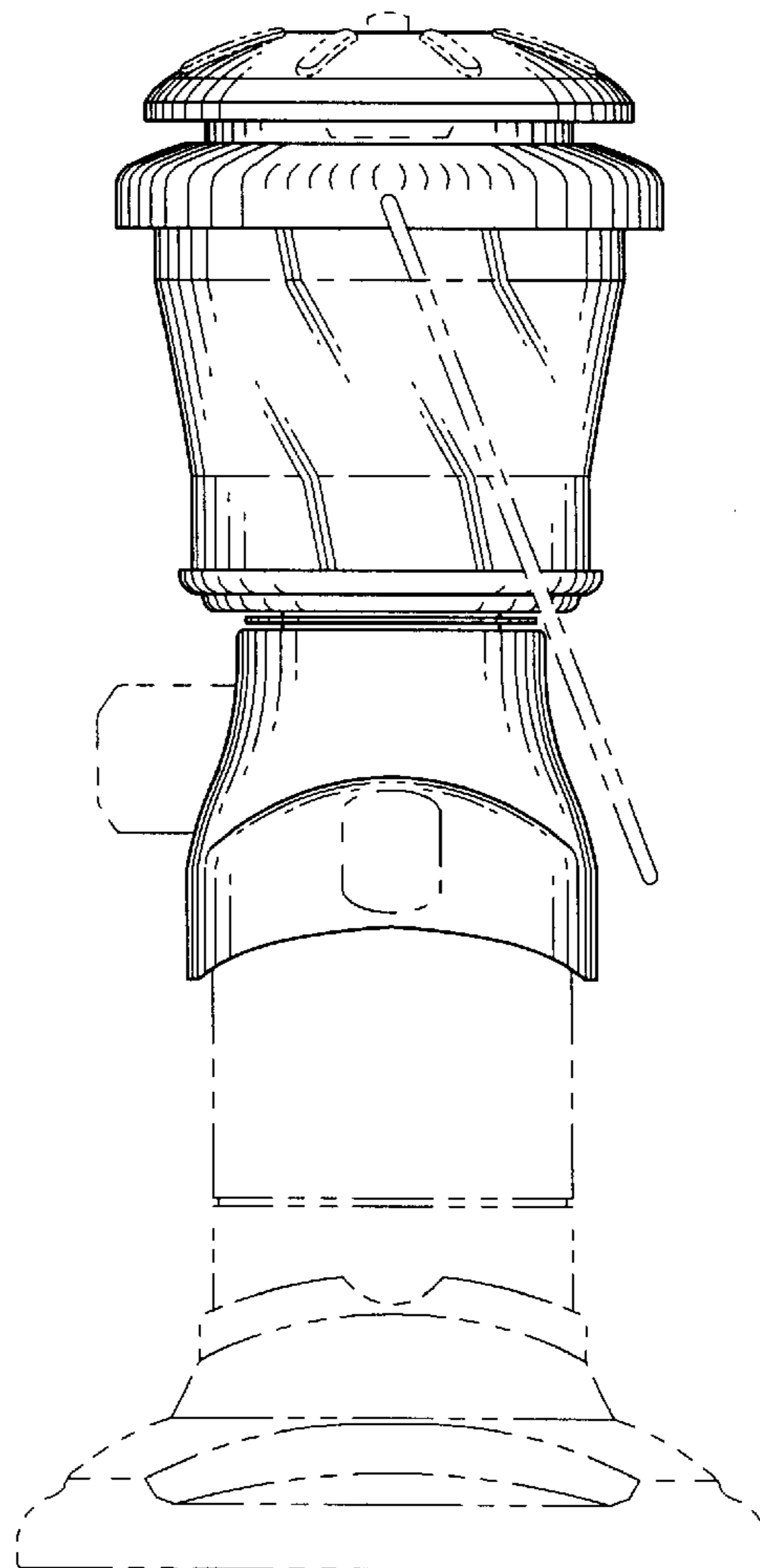


FIG. 5

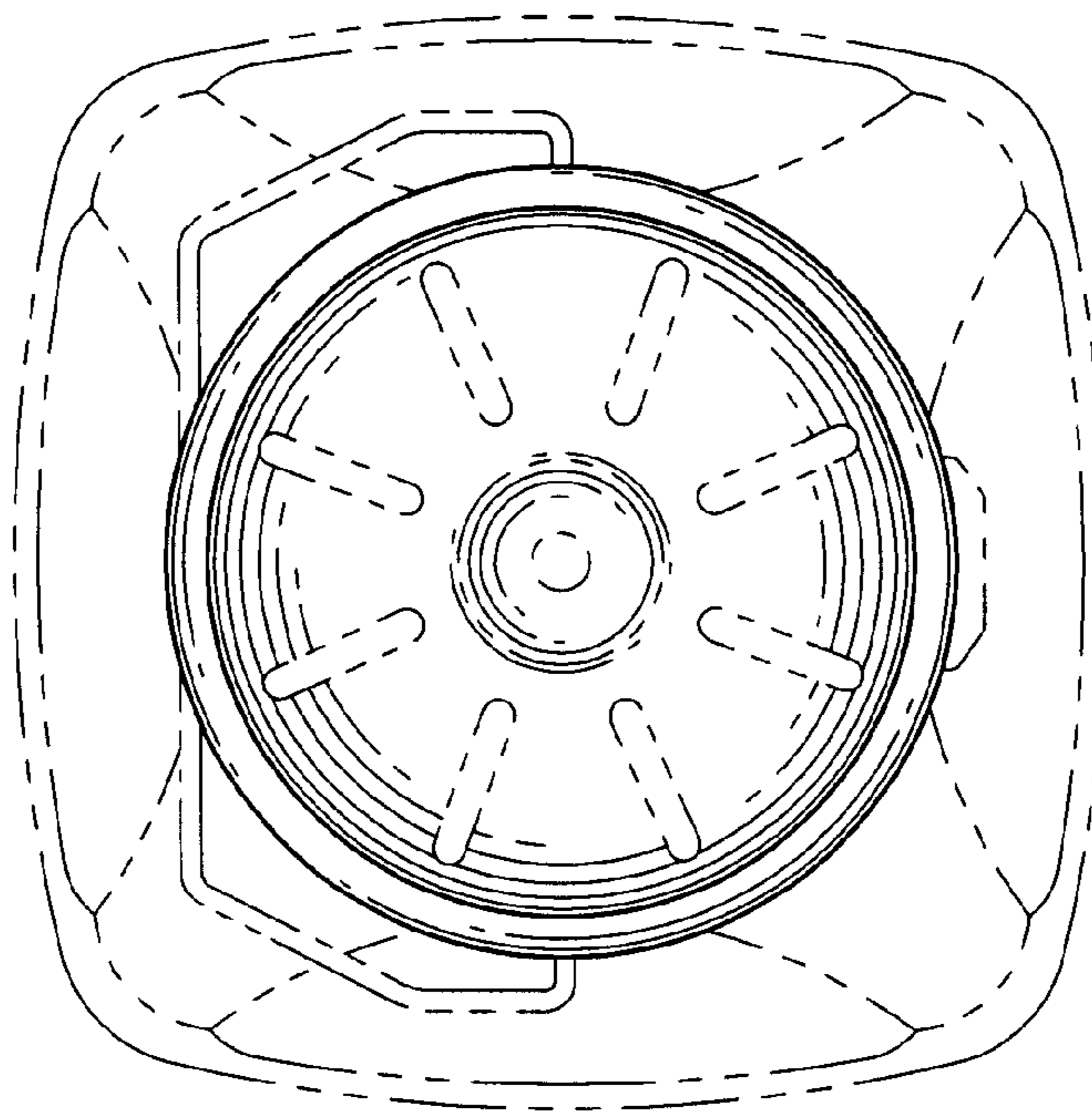


FIG. 6

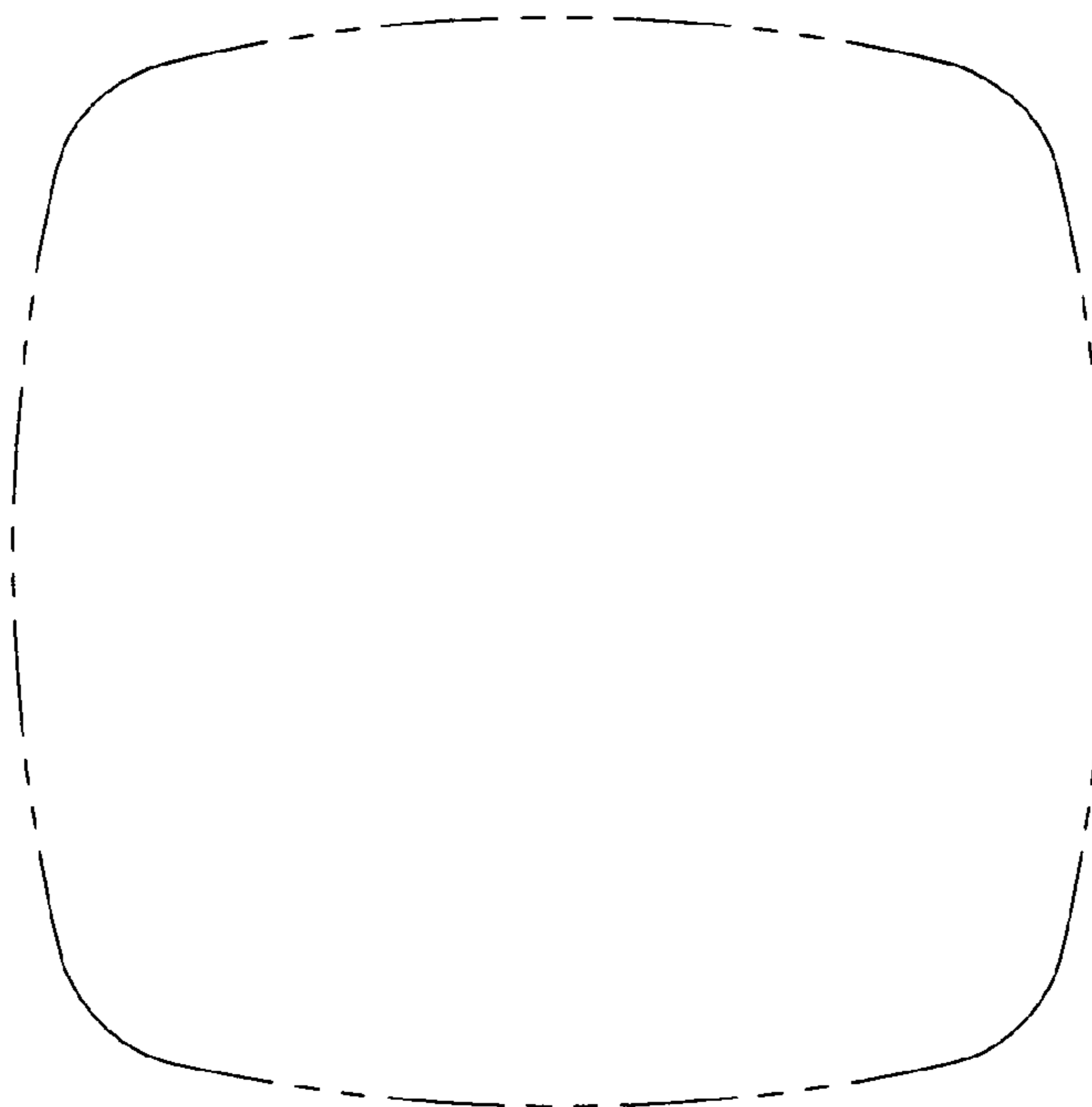


FIG. 7

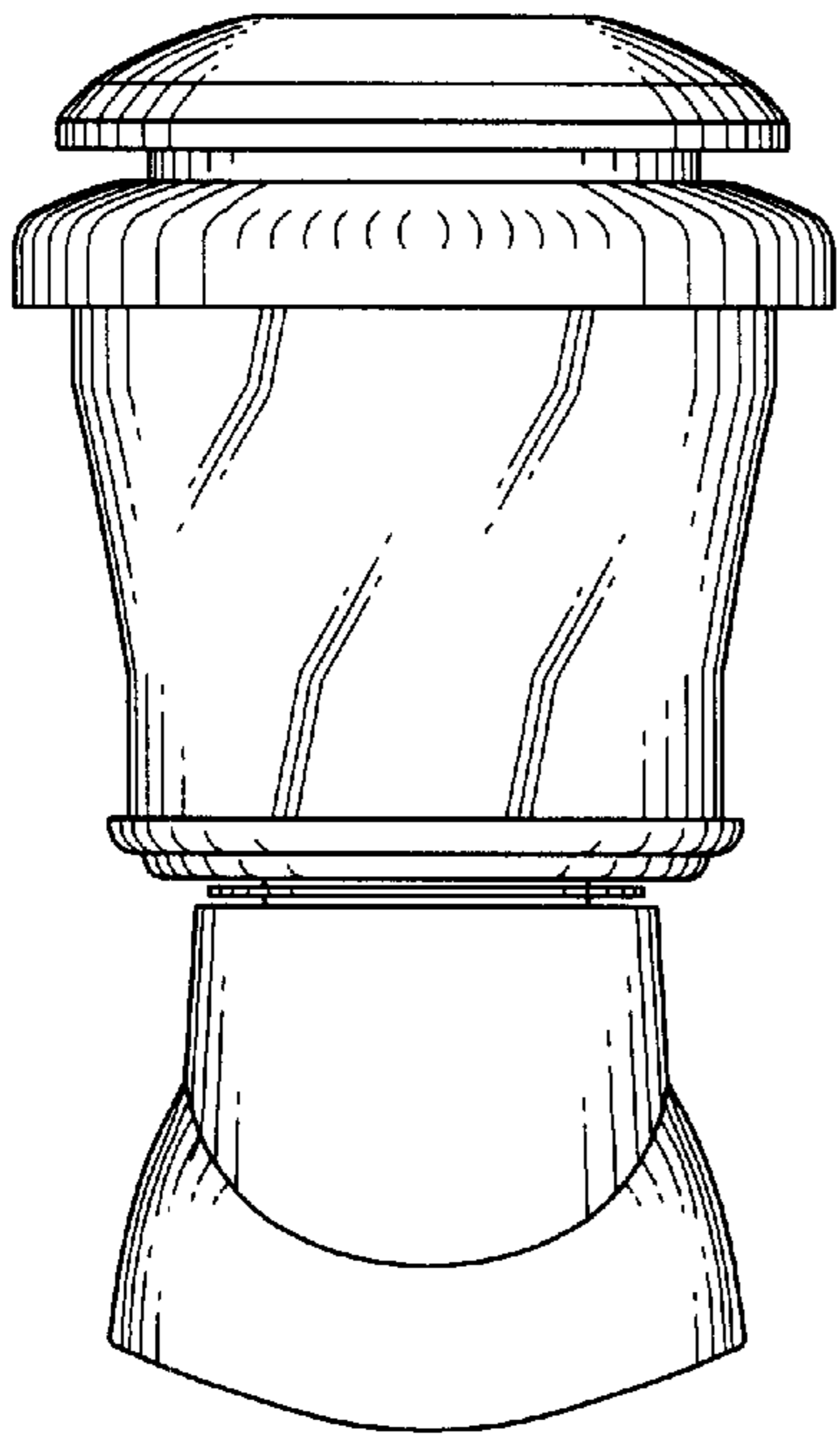


FIG. 8

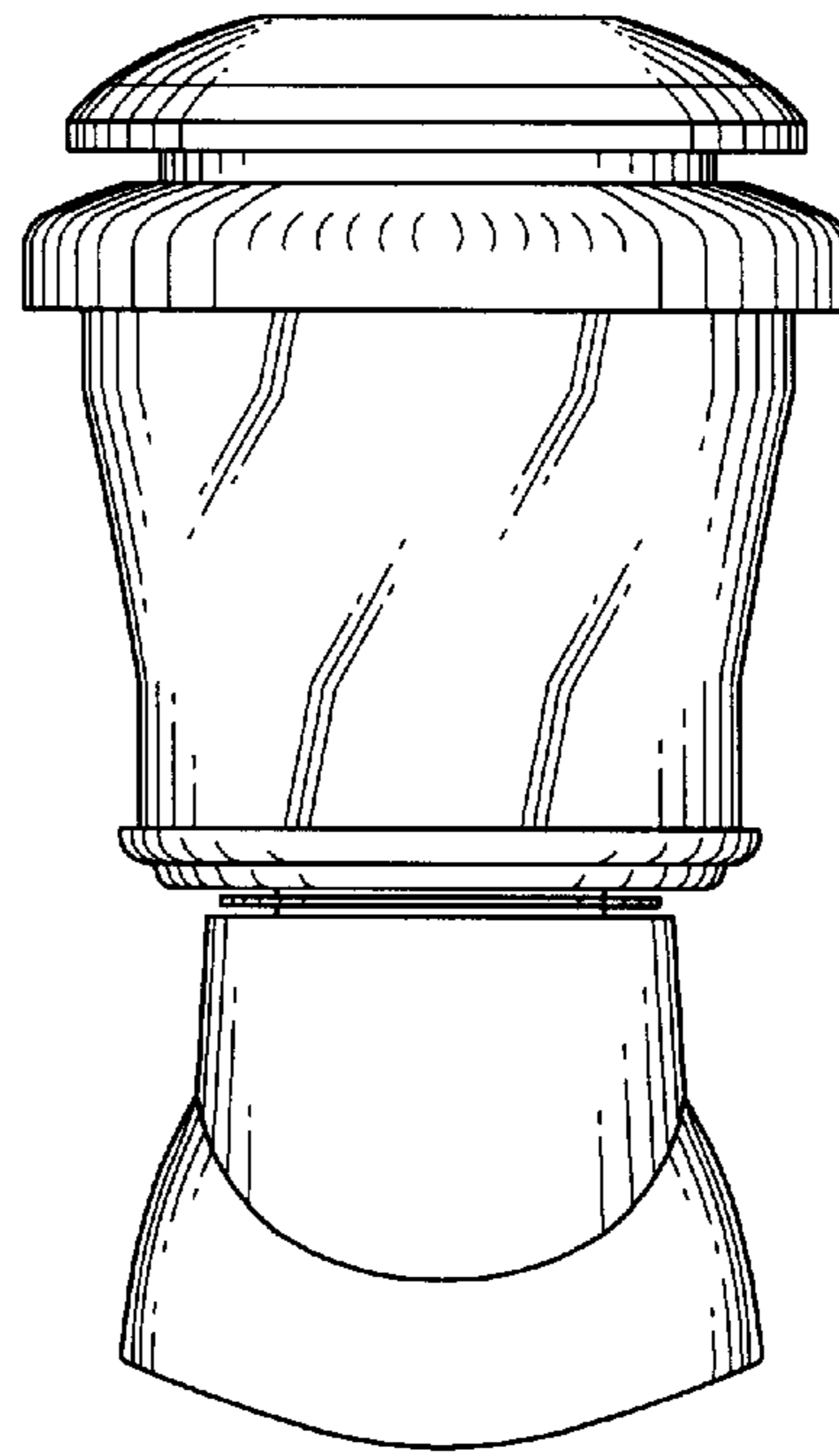


FIG. 9

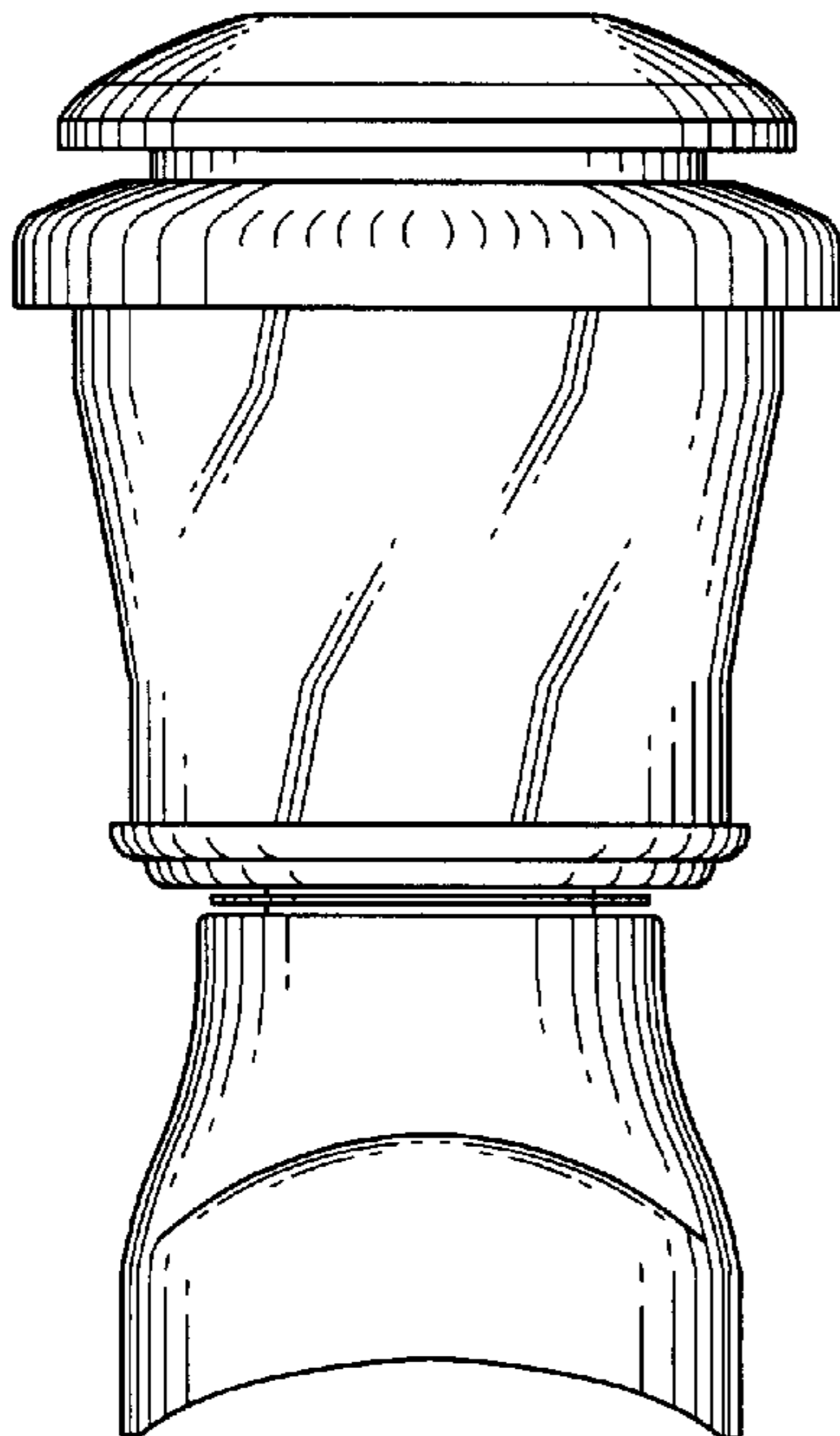


FIG. 10

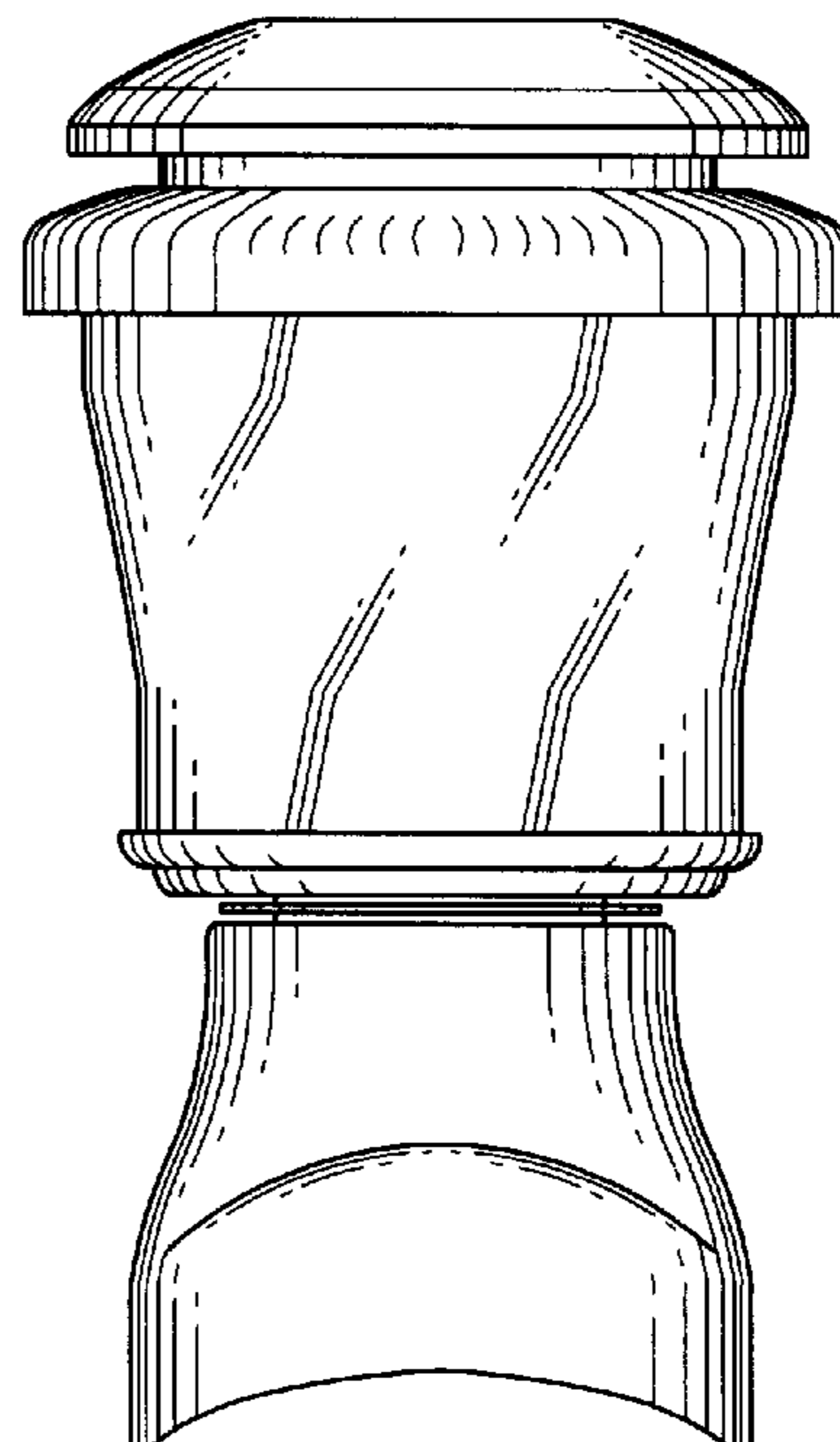


FIG. 11

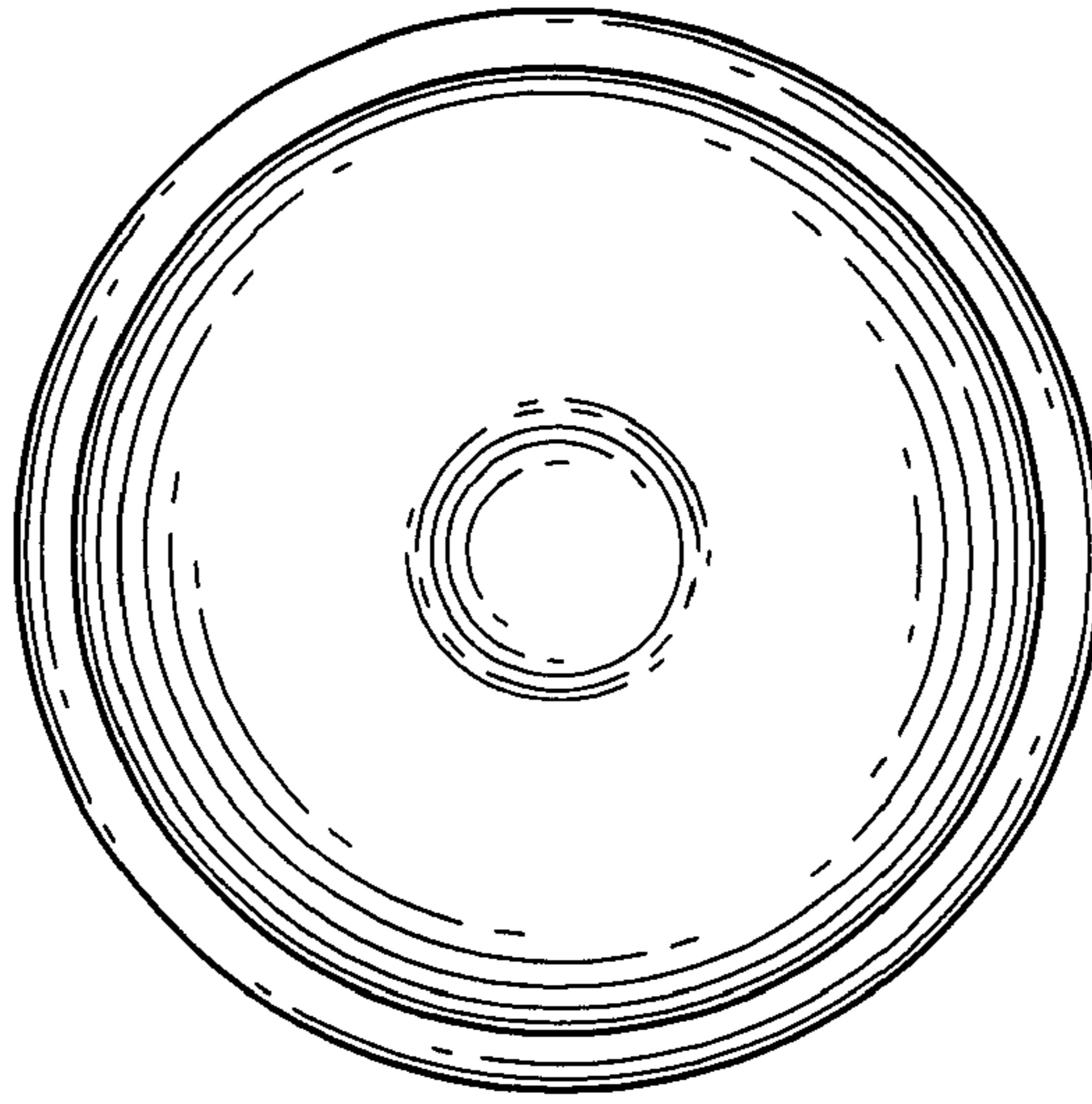


FIG. 12

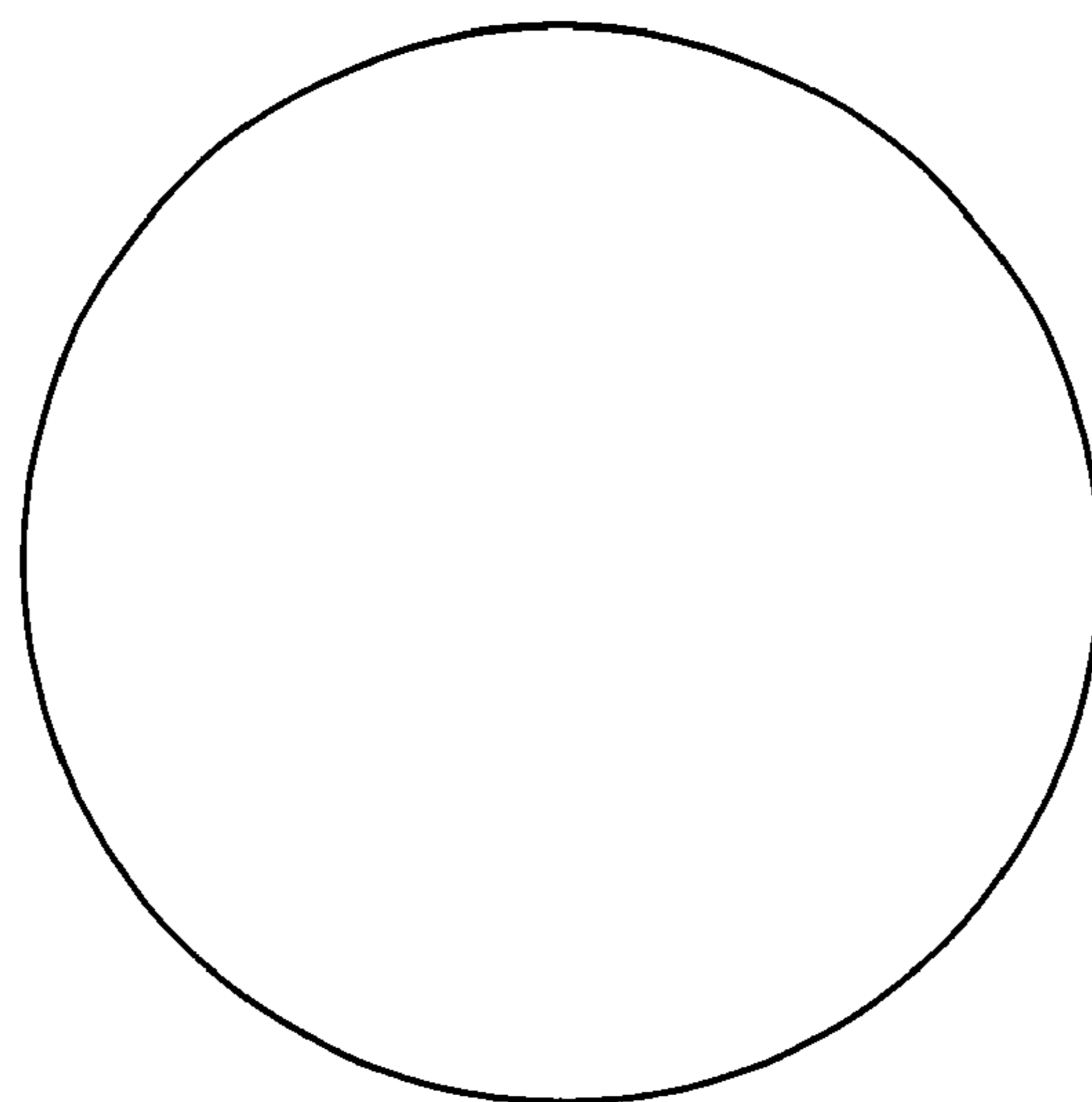


FIG. 13

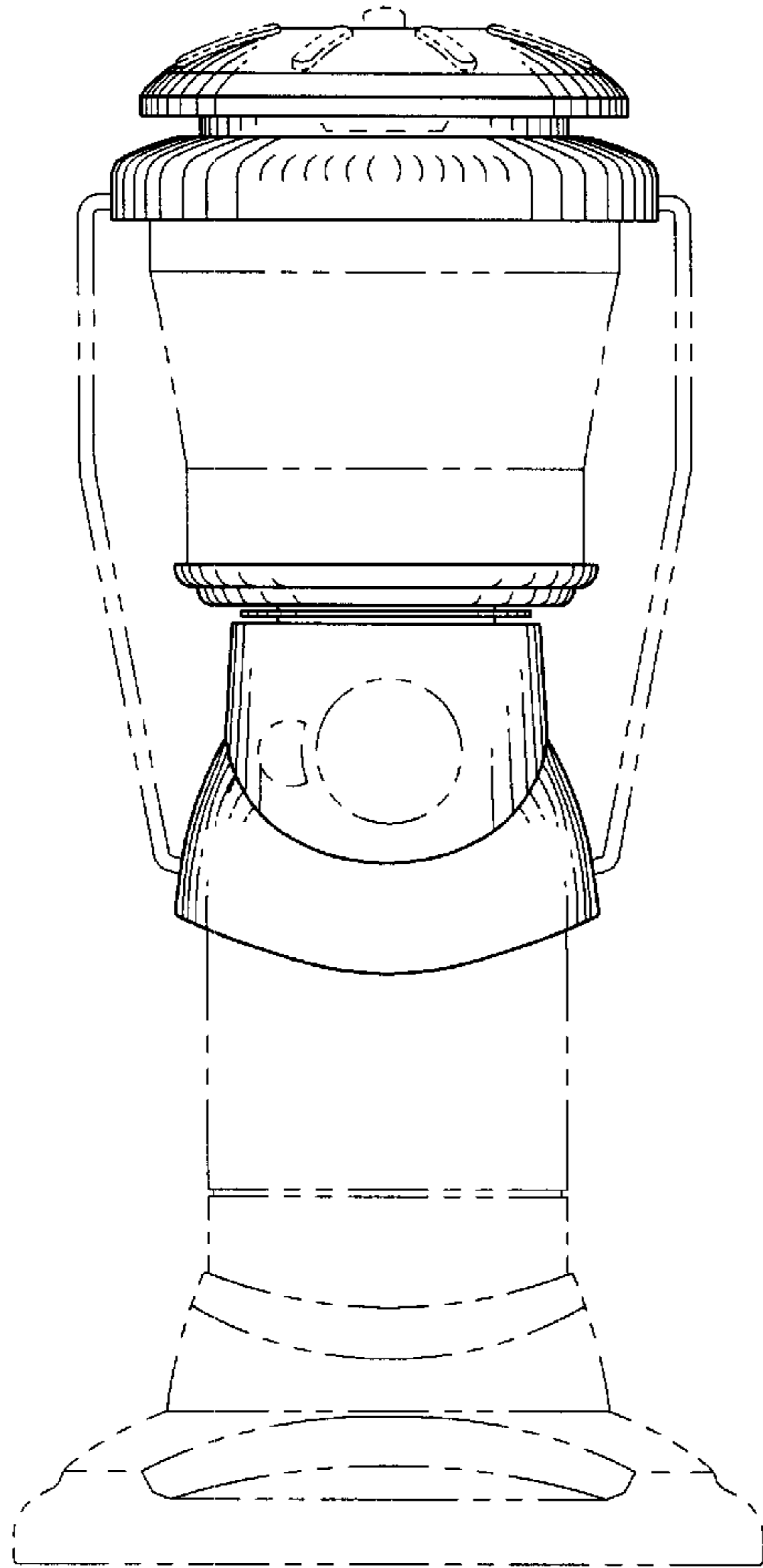


FIG. 14

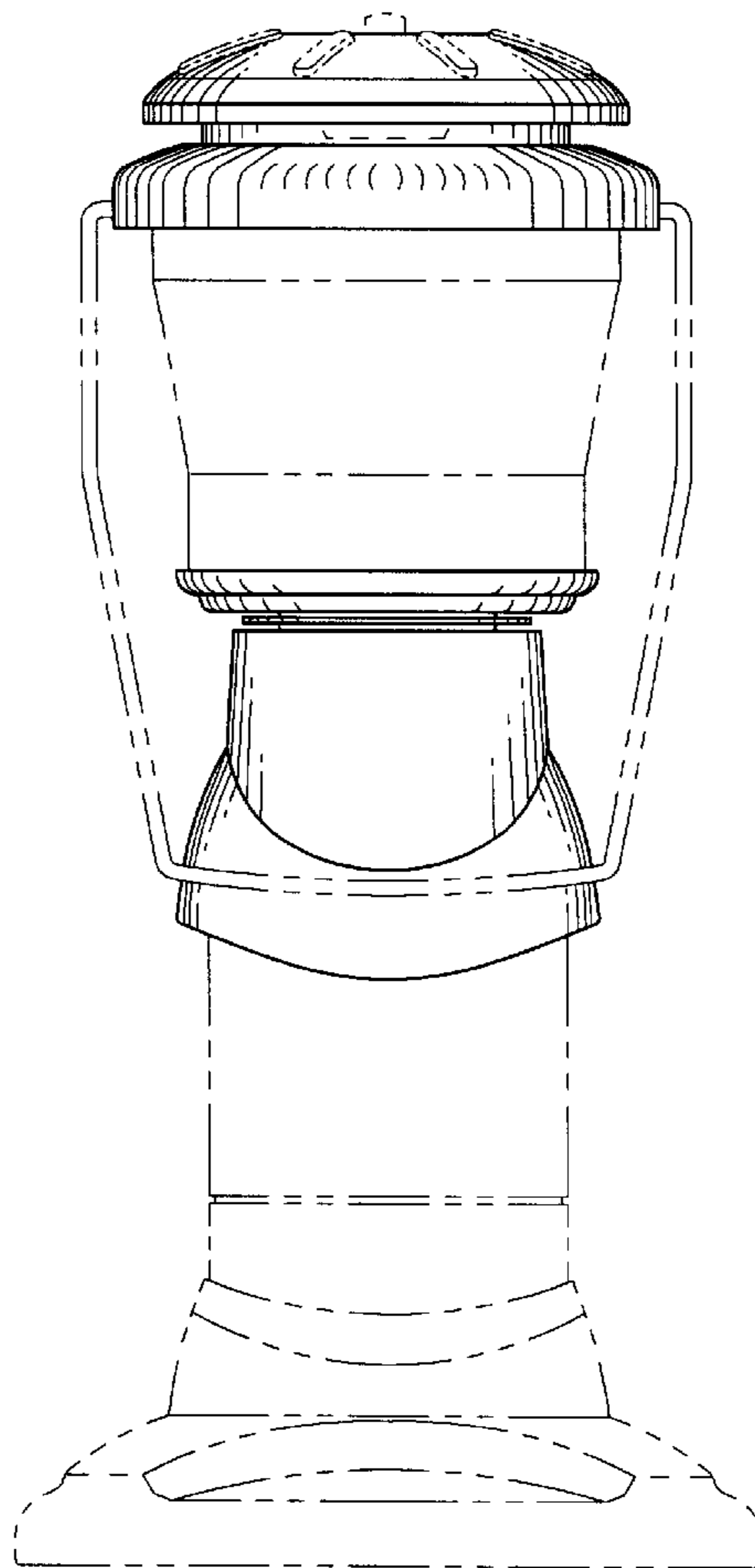


FIG. 15

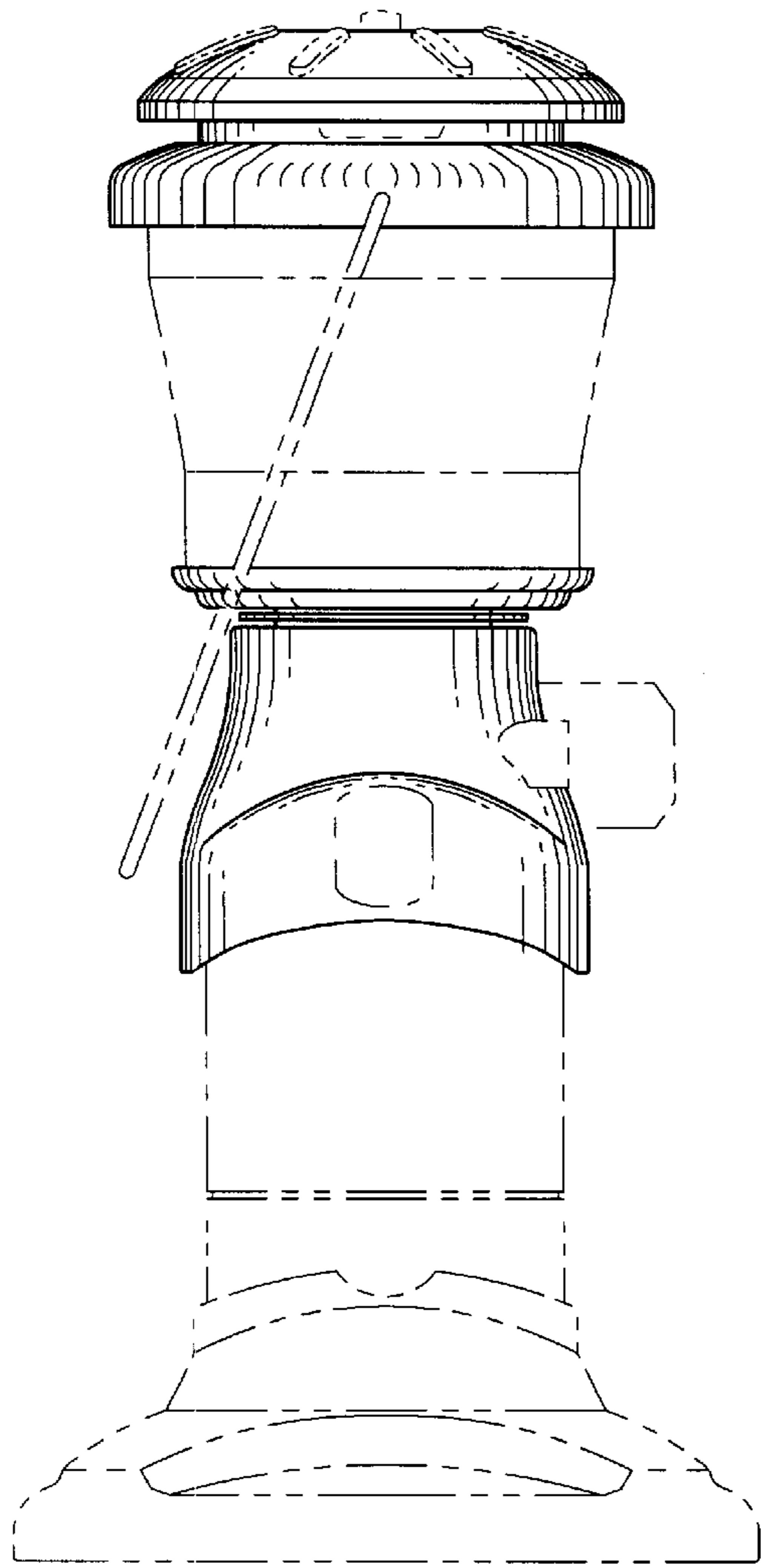


FIG. 16

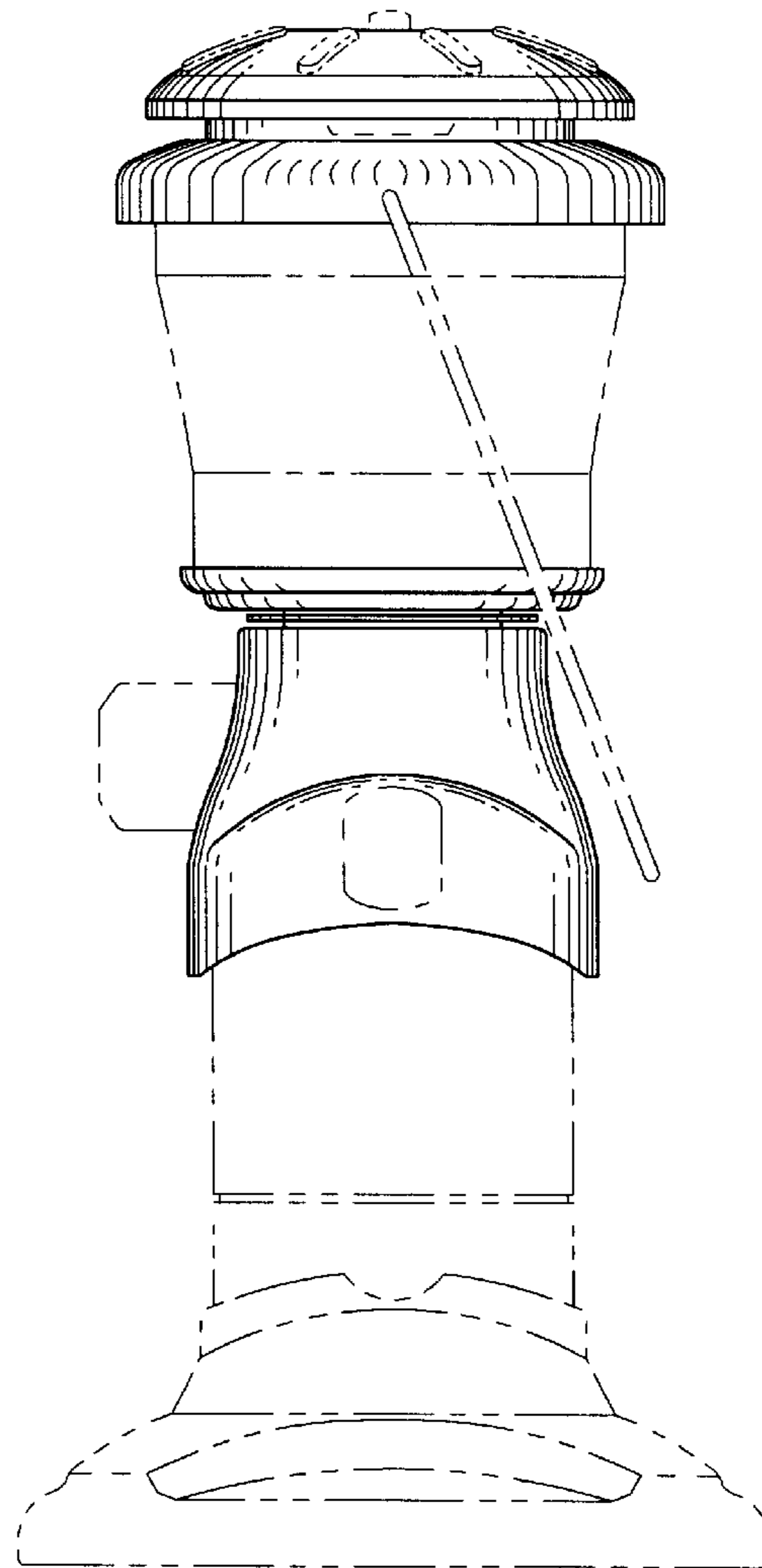


FIG. 17

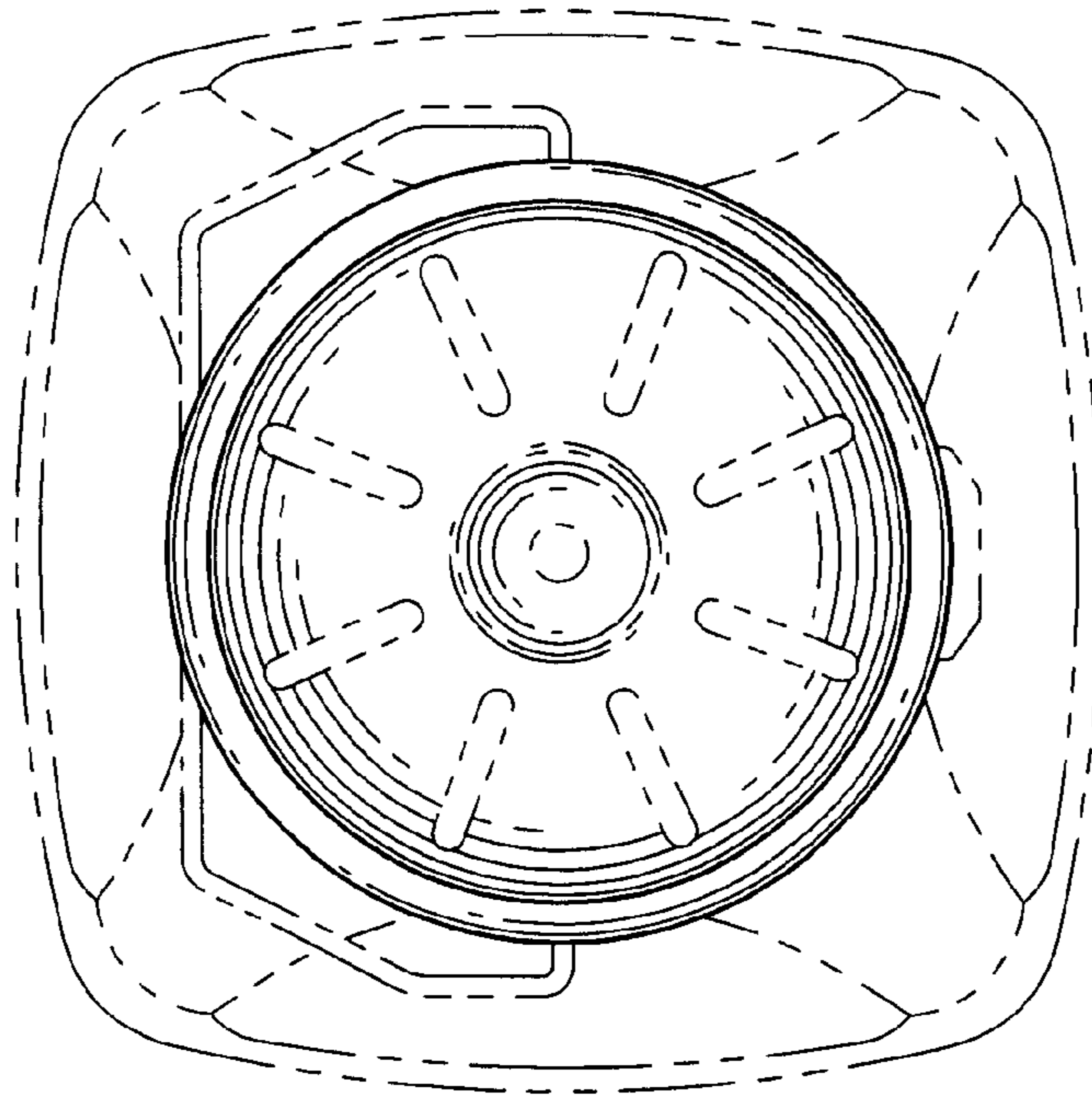


FIG. 18

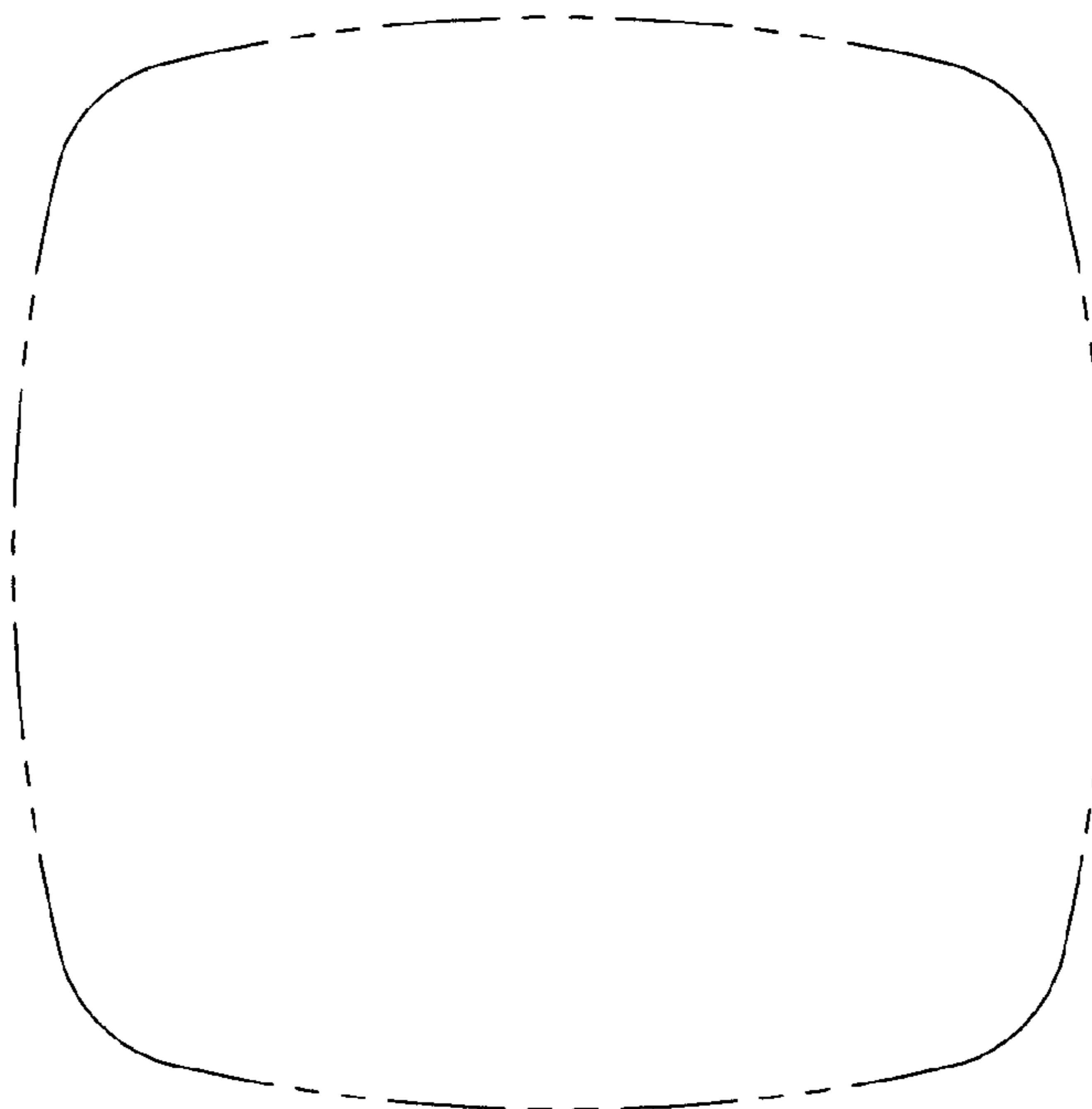


FIG. 19

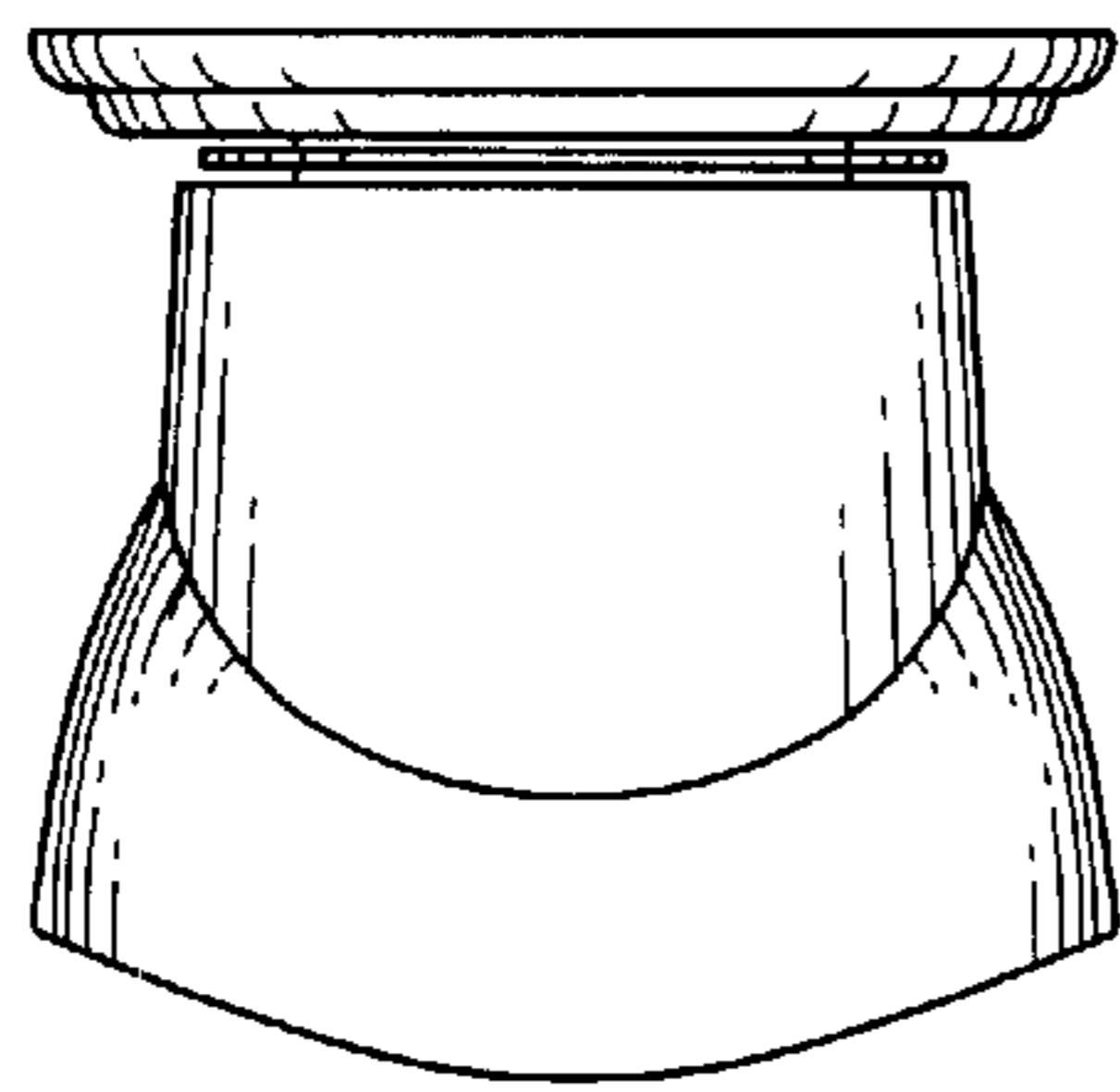
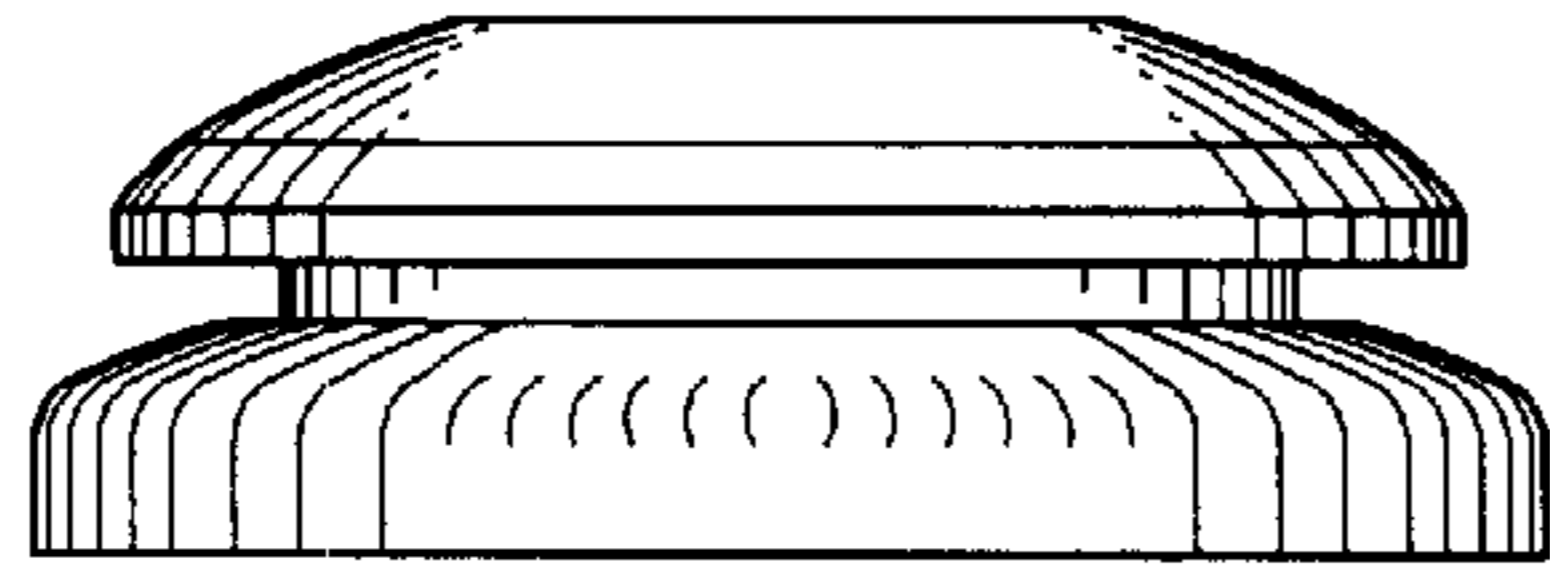


FIG. 20

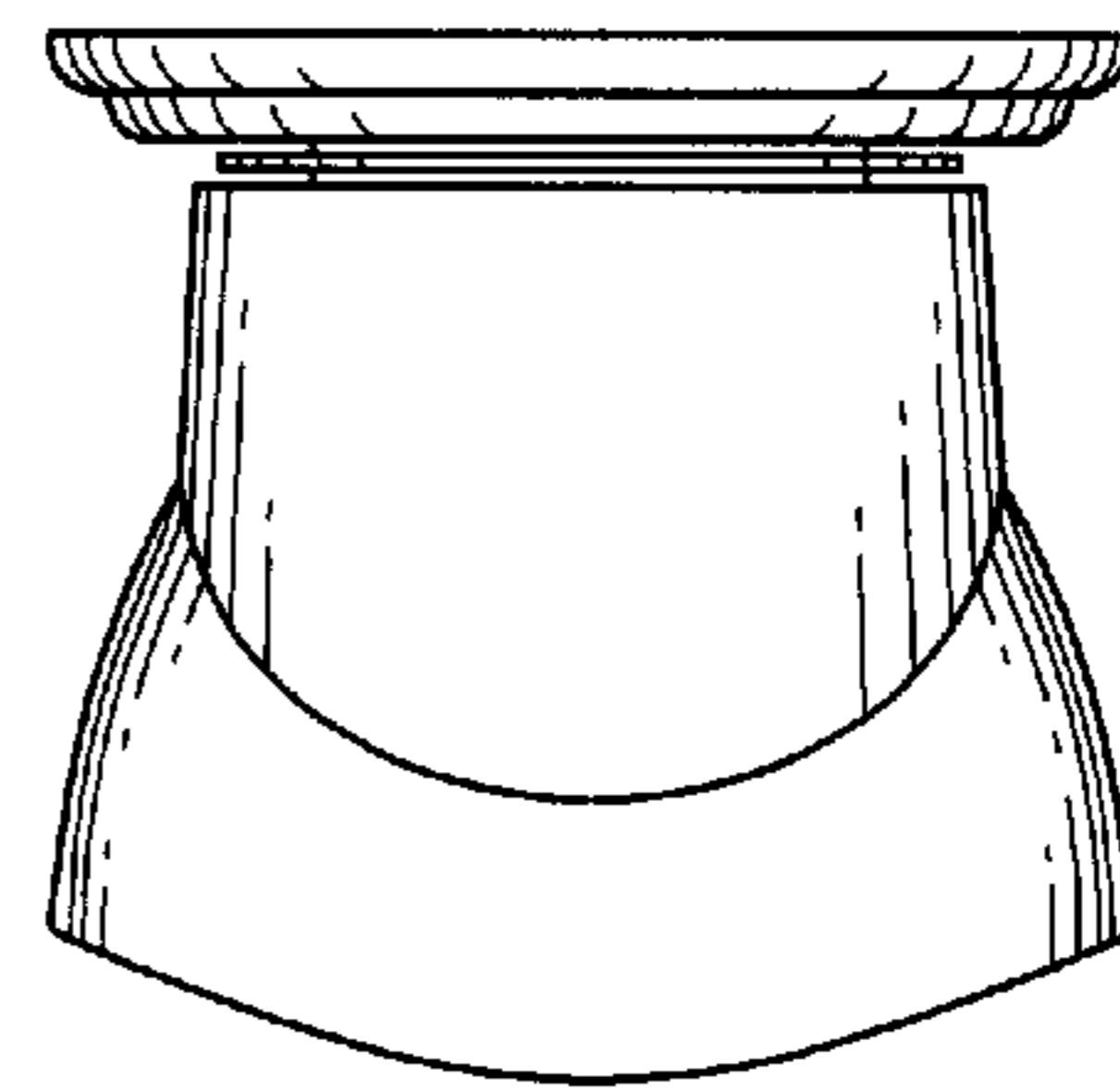
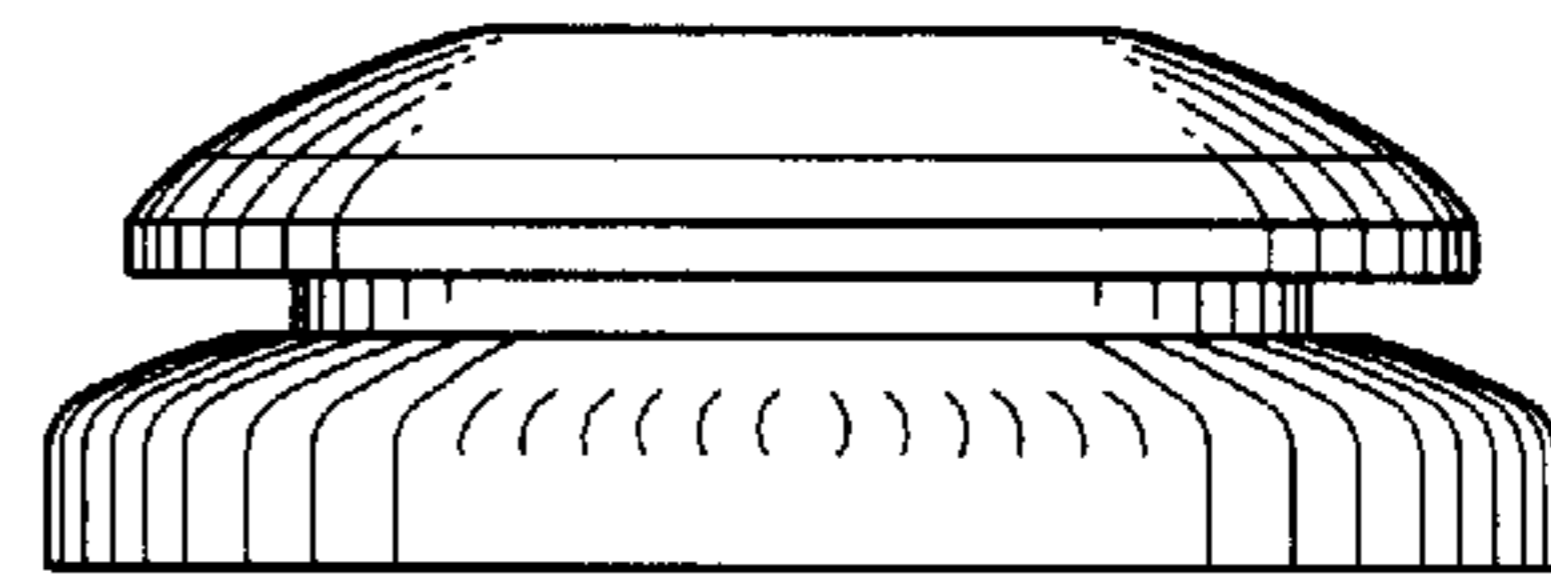


FIG. 21

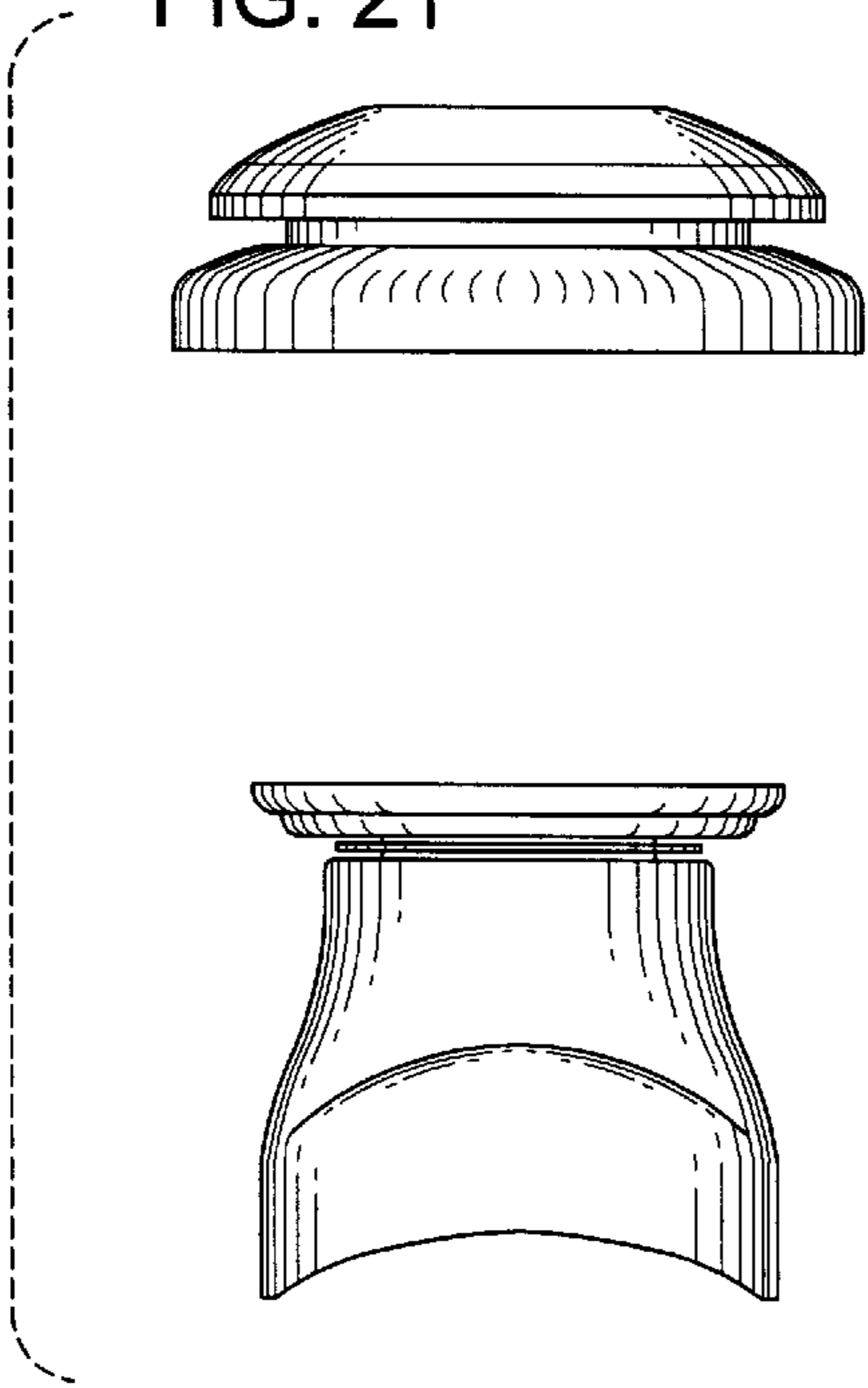


FIG. 22

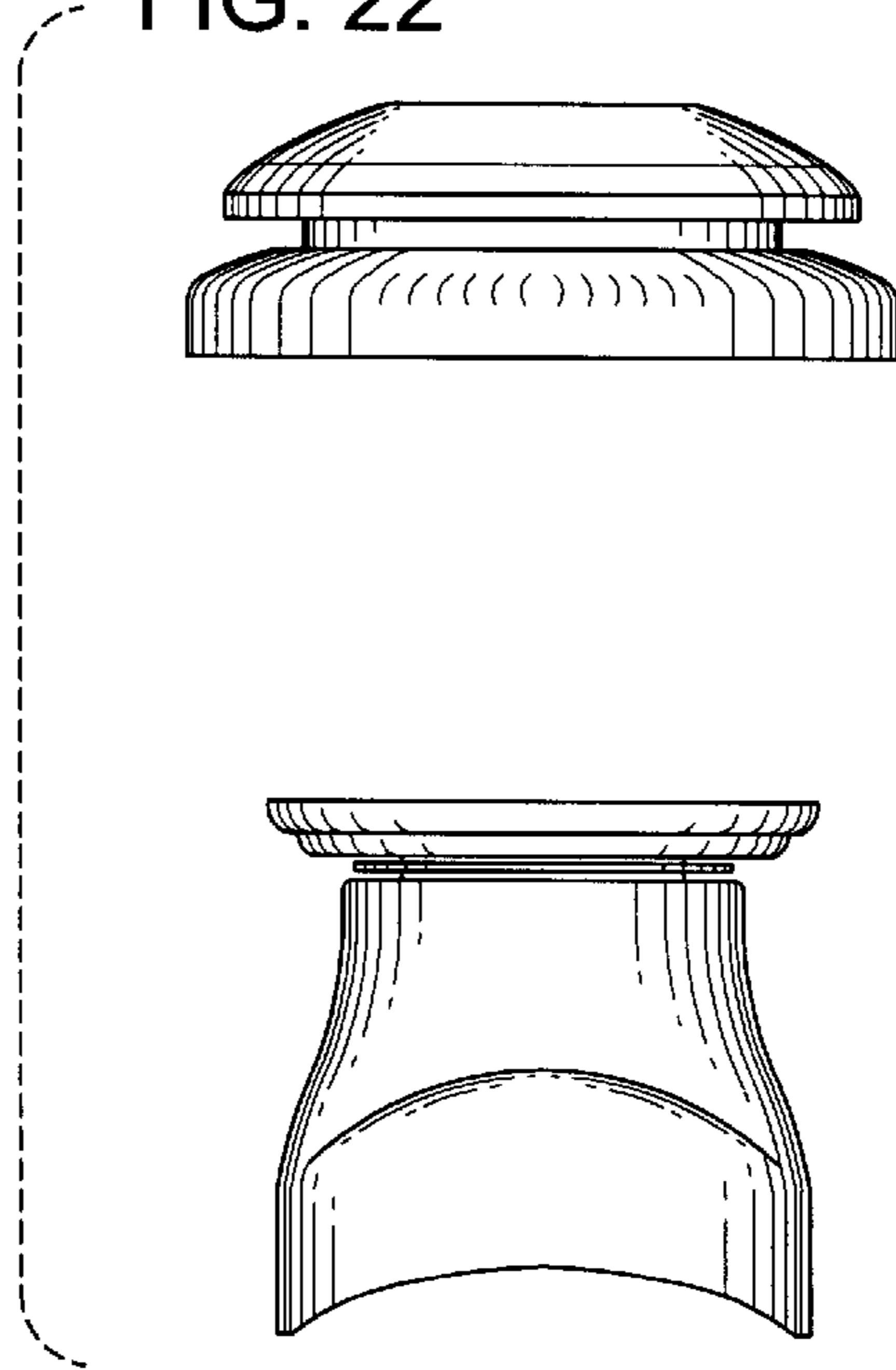


FIG. 23

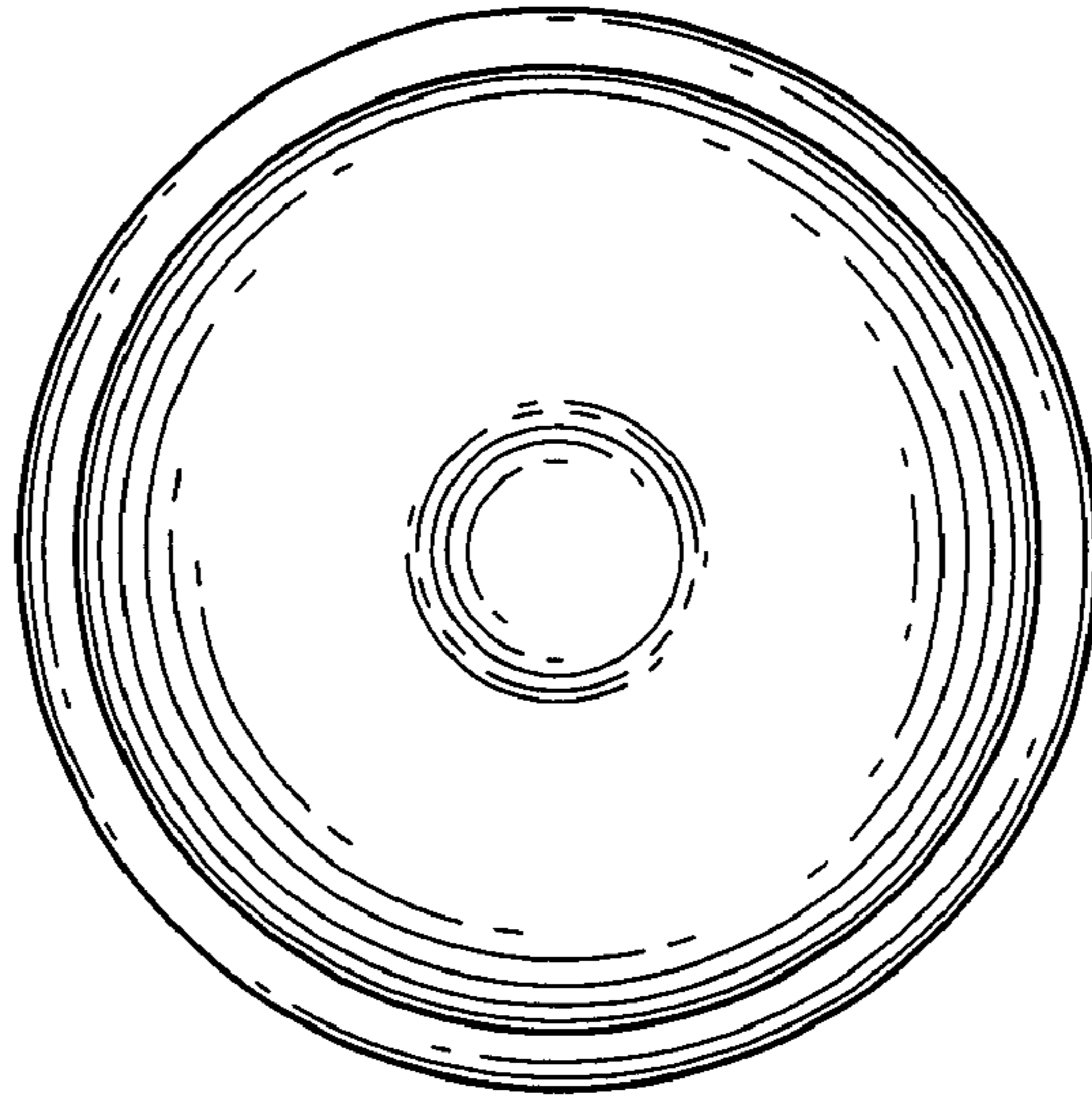


FIG. 24

