



US00D532131S

(12) **United States Design Patent**  
**Thuma et al.**

(10) **Patent No.:** **US D532,131 S**

(45) **Date of Patent:** **\*\* Nov. 14, 2006**

(54) **FLASHLIGHT**

D479,350 S \* 9/2003 Herman ..... D26/38

(75) Inventors: **Michael Thuma**, LaGrange, IL (US);  
**Paul Mann**, Oak Park, IL (US)

\* cited by examiner

*Primary Examiner*—Marcus A. Jackson

(73) Assignee: **NTM Industries, LLC**, LaGrange, IL  
(US)

(57) **CLAIM**

The ornamental design for a flashlight, as shown and described.

(\*\*) Term: **14 Years**

(21) Appl. No.: **29/230,111**

**DESCRIPTION**

(22) Filed: **May 17, 2005**

(51) **LOC (8) Cl.** ..... **26-02**

(52) **U.S. Cl.** ..... **D26/38**

(58) **Field of Classification Search** ..... D26/37-50;  
362/157, 158, 171-174, 183-208

See application file for complete search history.

FIG. 1 is a first perspective view of the flashlight.

FIG. 2 is a second perspective view thereof.

FIG. 3 is a first top view thereof.

FIG. 4 is a first side view thereof.

FIG. 5 is a bottom view thereof.

FIG. 6 is a third perspective view thereof.

FIG. 7 is a second top view thereof.

FIG. 8 is a second side view thereof; and,

FIG. 9 is a second bottom view thereof.

The broken line showing of the other parts are for illustrative purposes only and forms no part of the claimed design.

(56) **References Cited**

**U.S. PATENT DOCUMENTS**

D459,190 S \* 6/2002 Chen ..... D8/105

D474,391 S \* 5/2003 Padden et al. .... D8/99

**1 Claim, 3 Drawing Sheets**

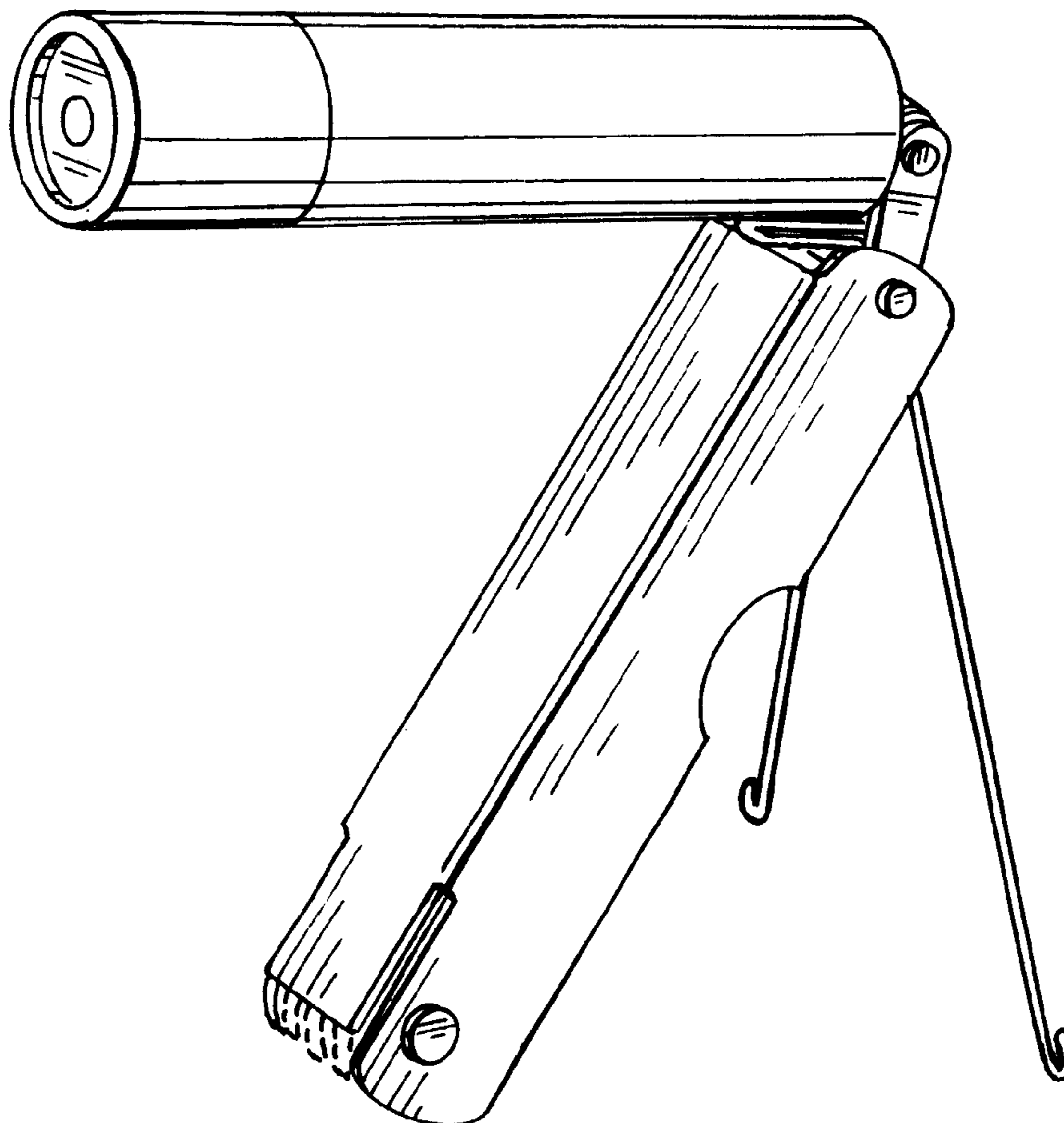


FIG. 1

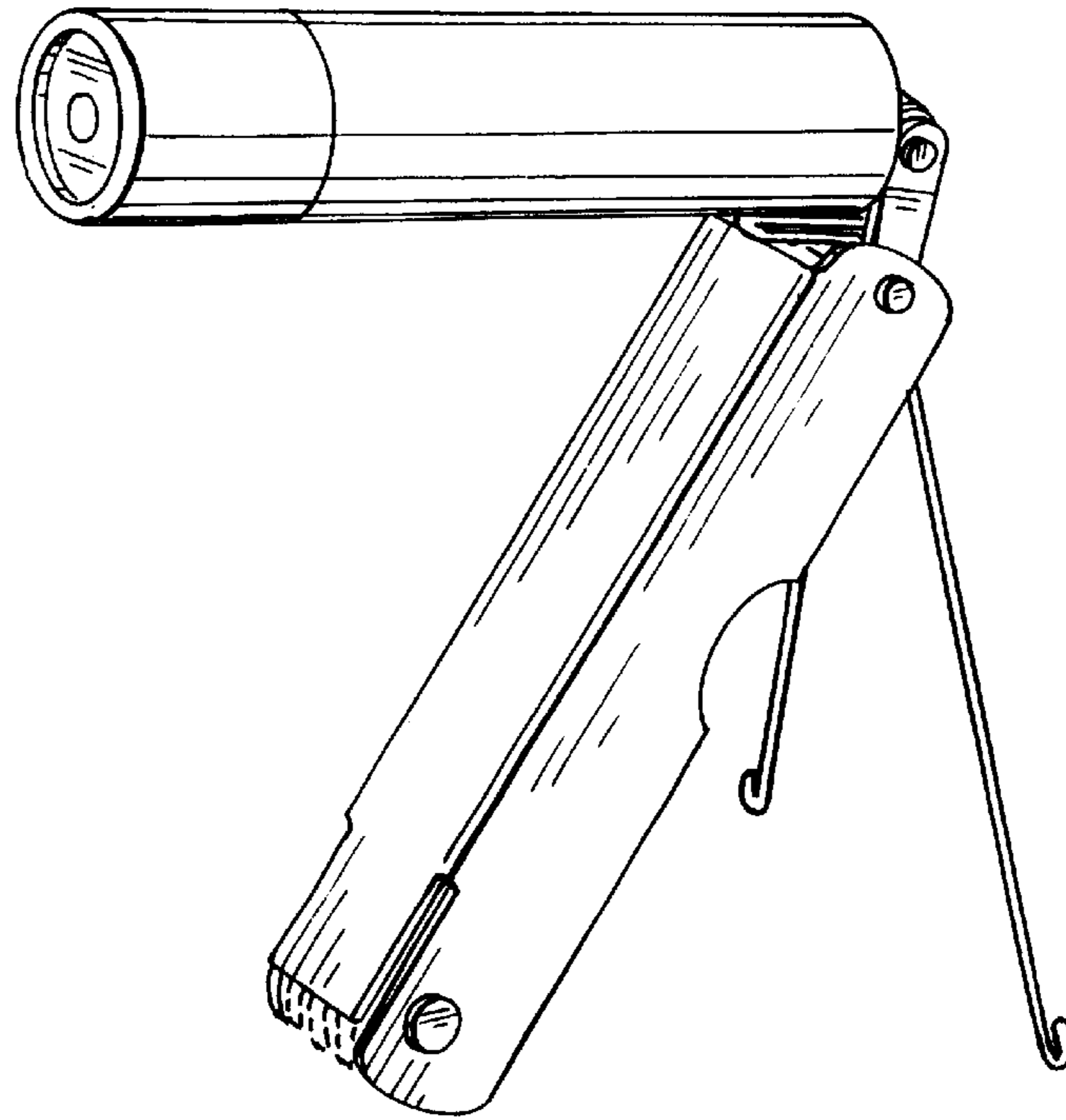


FIG. 2

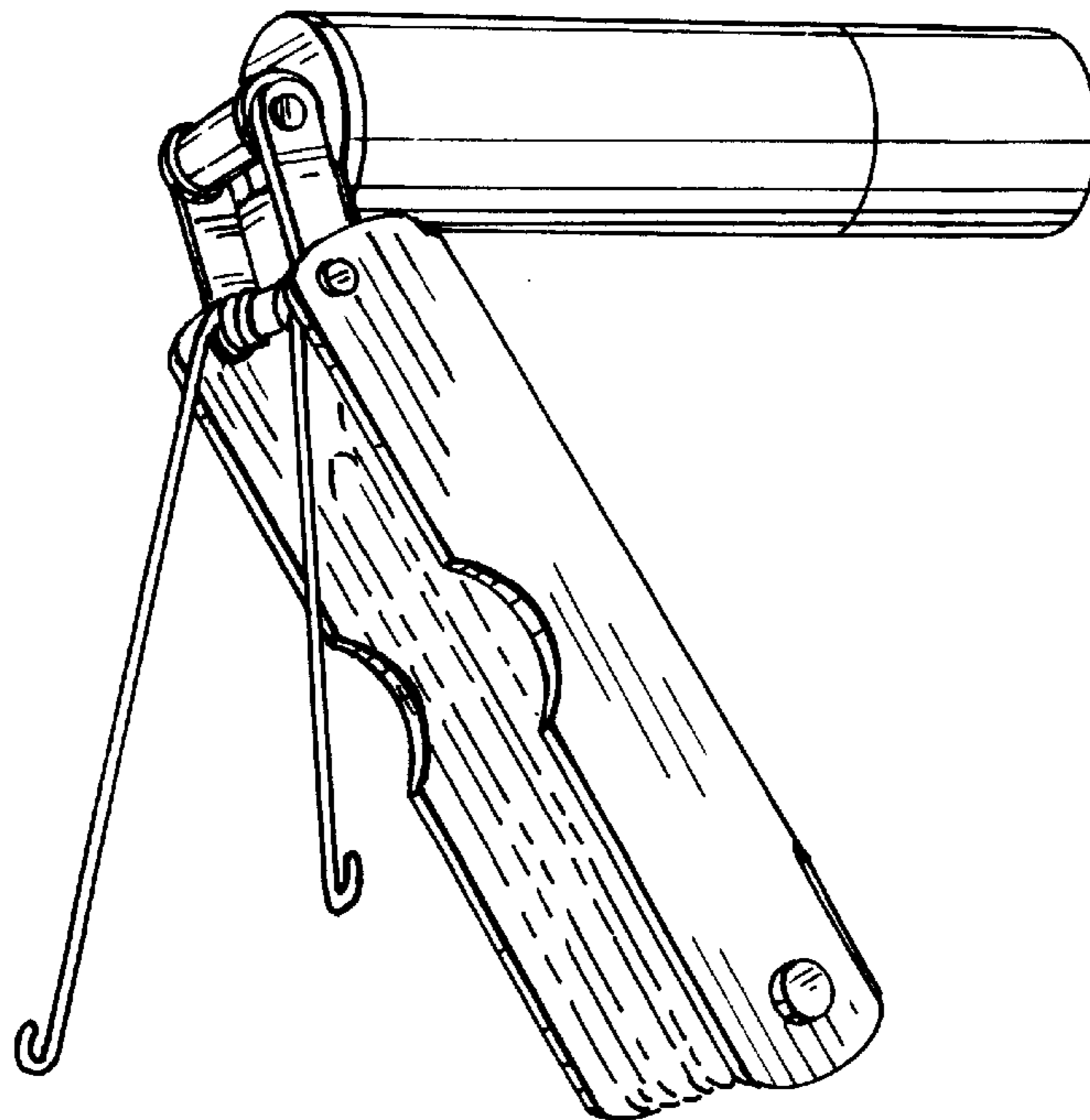


FIG. 3

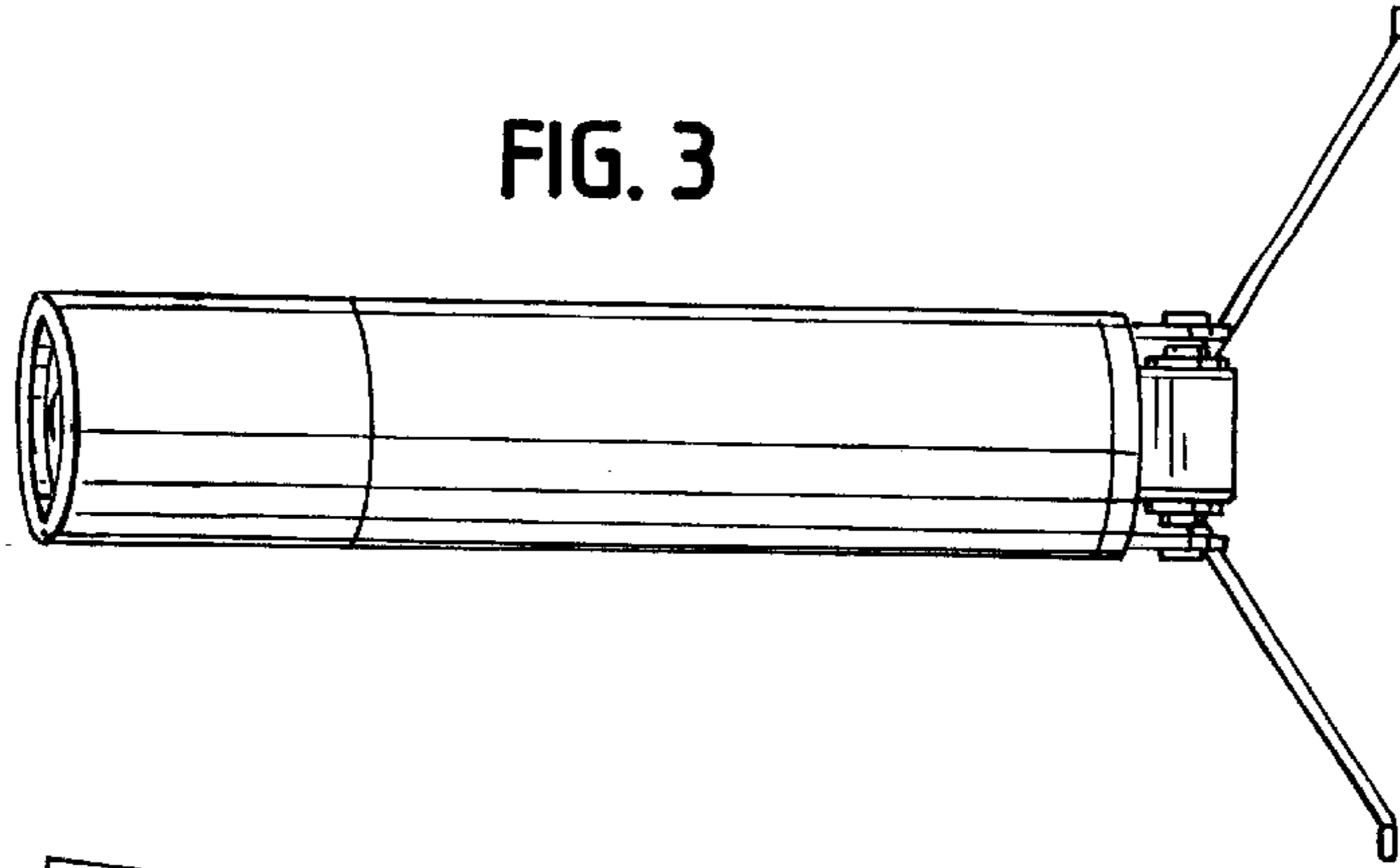


FIG. 4

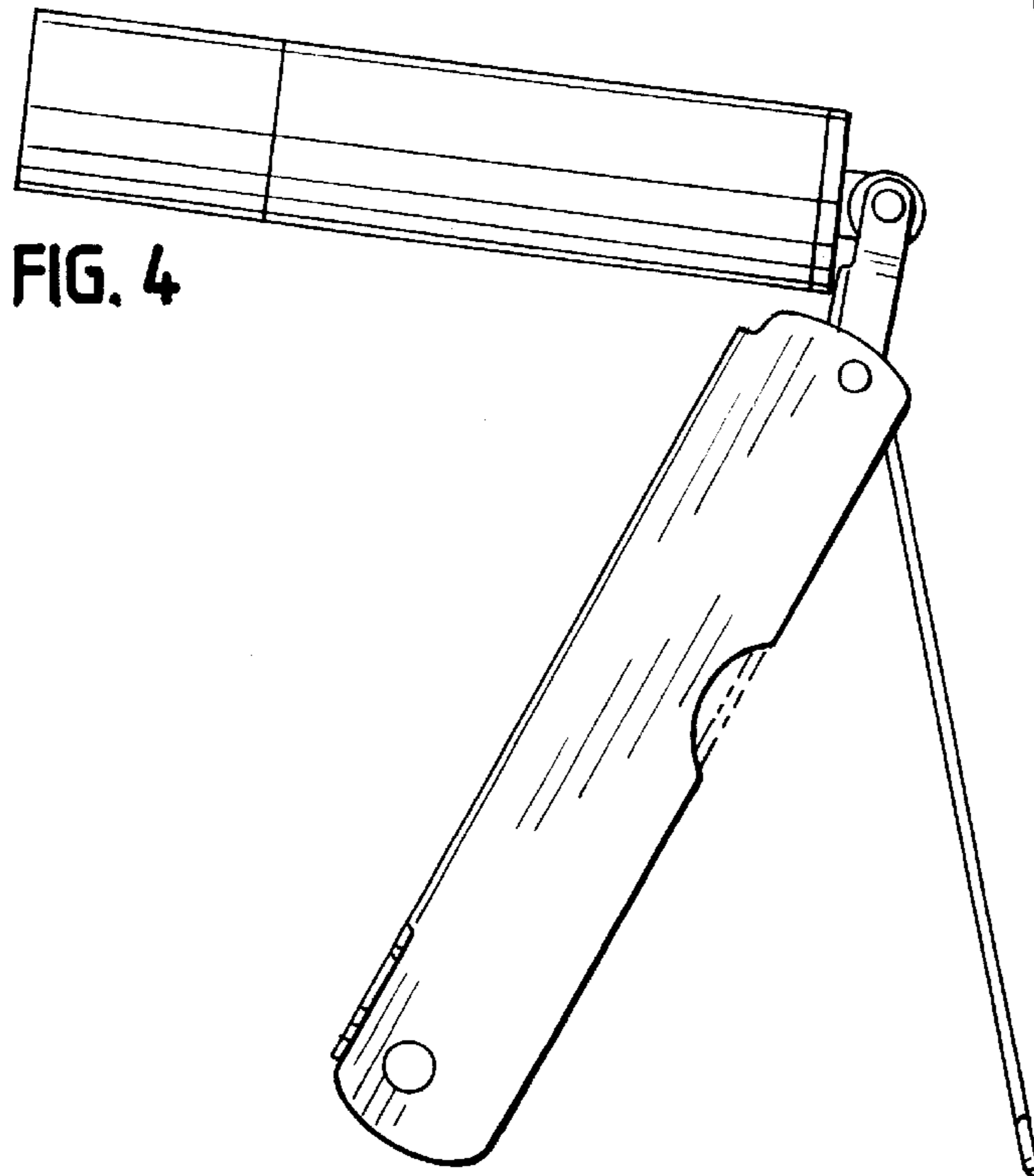


FIG. 5

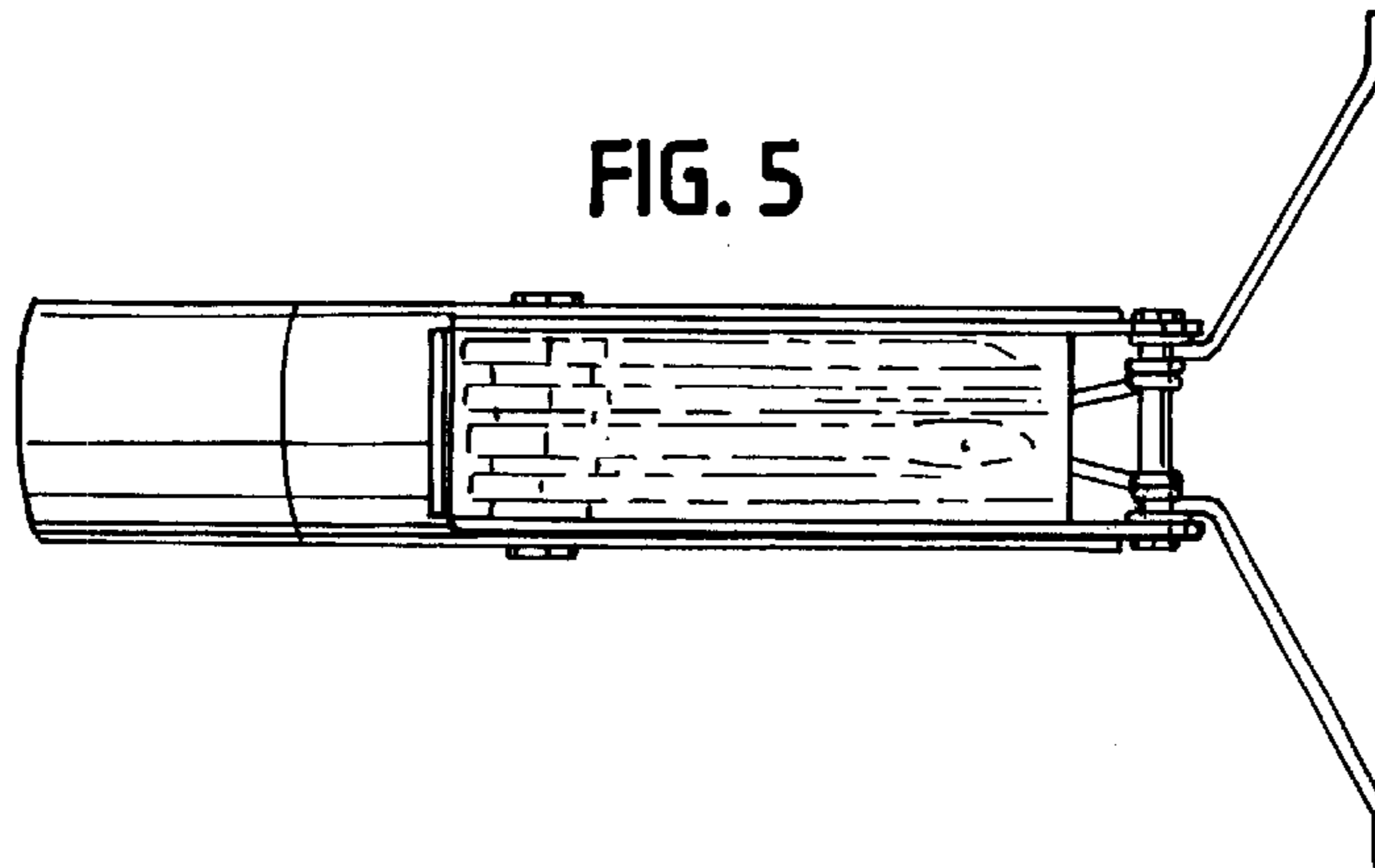


FIG. 6

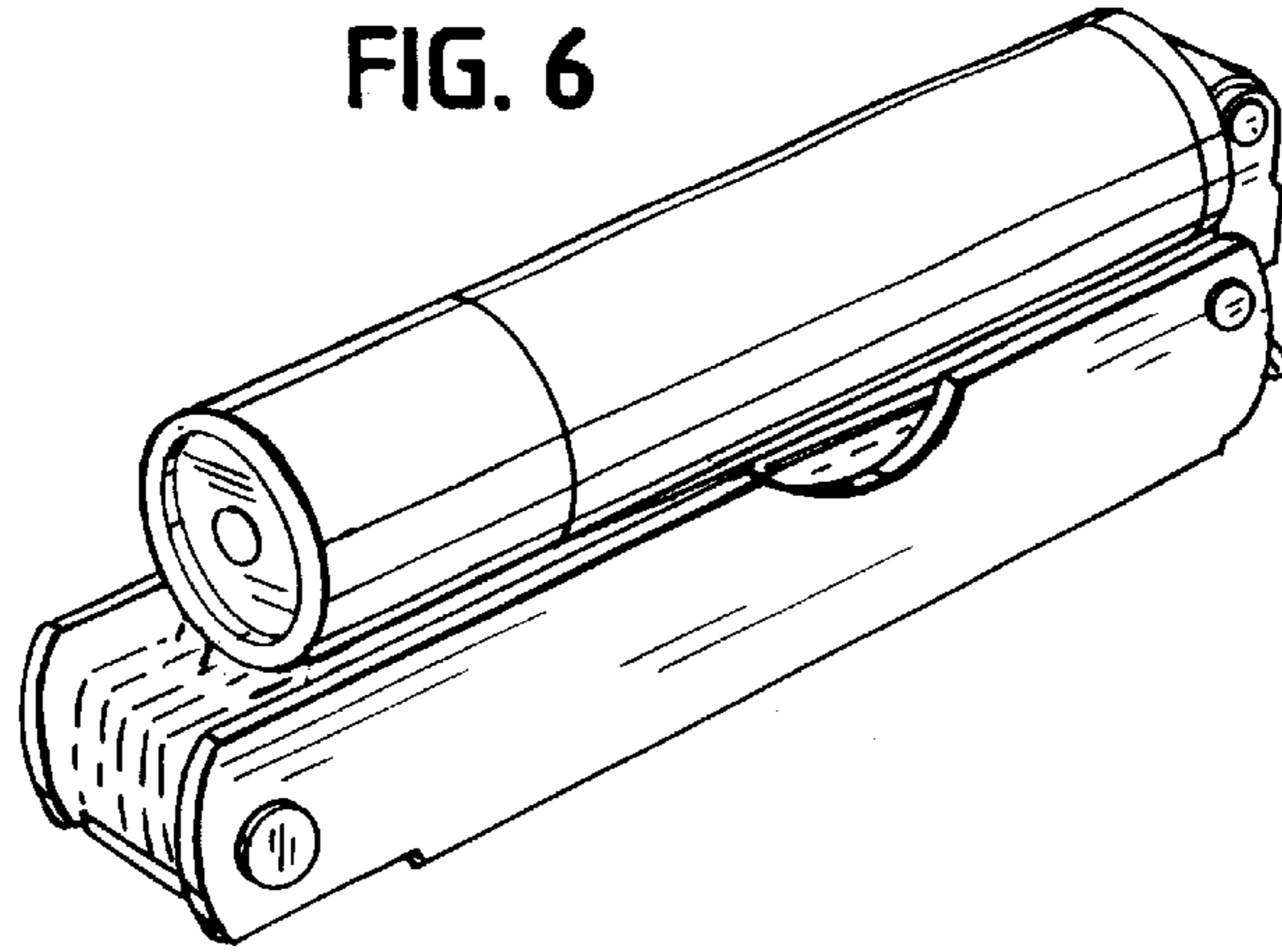


FIG. 7

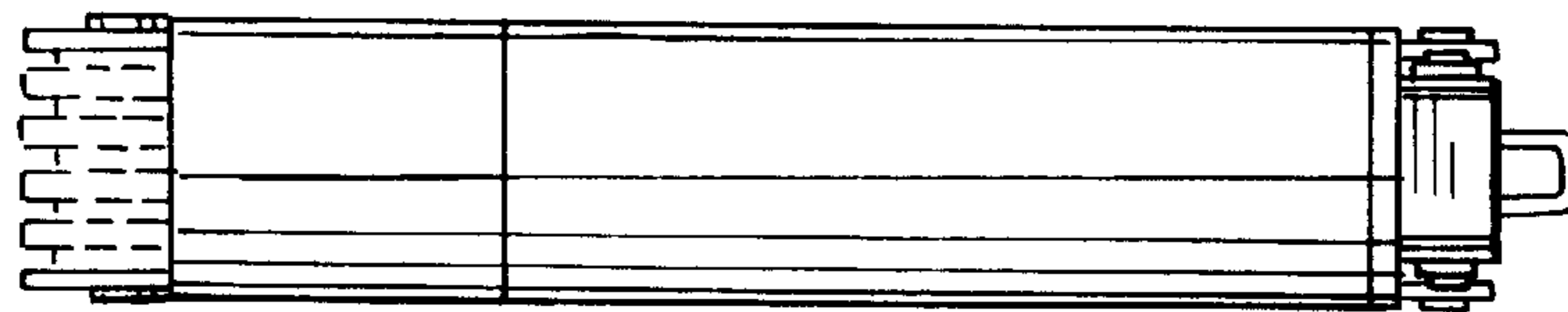


FIG. 8

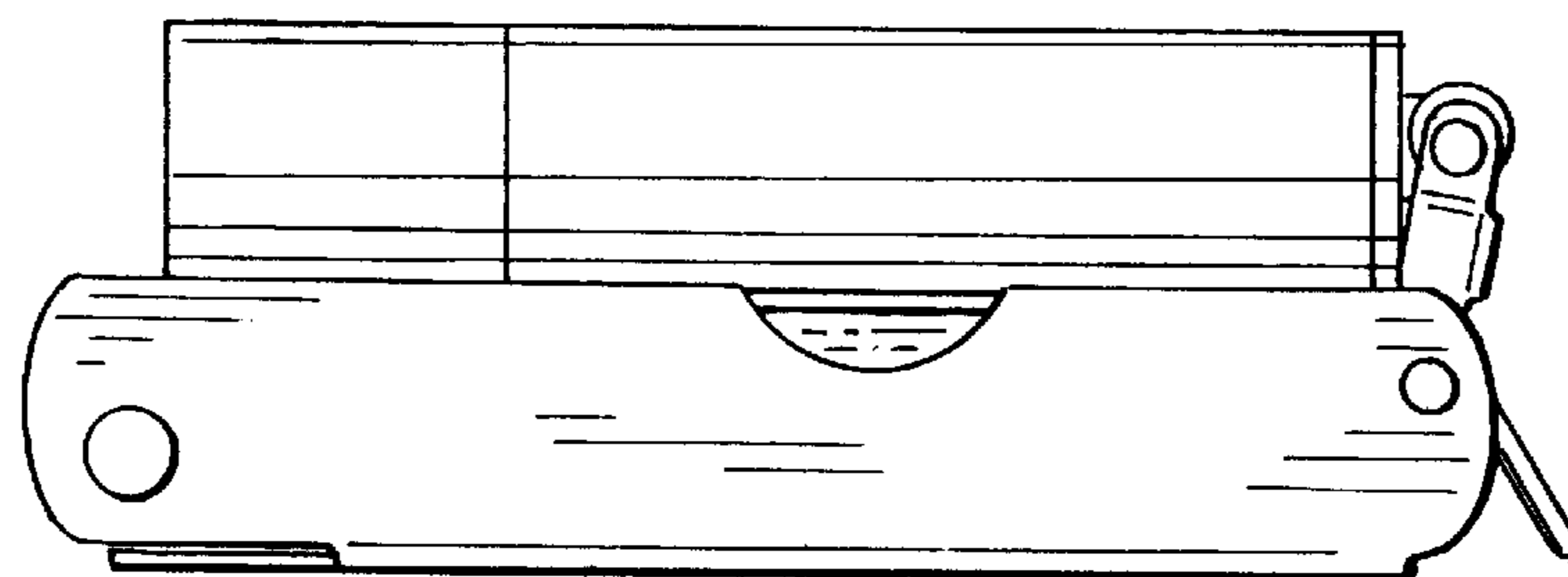


FIG. 9

