



US00D532130S

(12) **United States Design Patent**  
**Yeh**

(10) **Patent No.:** **US D532,130 S**

(45) **Date of Patent:** **\*\* Nov. 14, 2006**

(54) **VEHICLE LIGHT**

D506,844 S \* 6/2005 Lin ..... D26/28  
D510,148 S \* 9/2005 Huang ..... D26/28

(75) Inventor: **Keng-Chin Yeh**, Taipei (TW)

\* cited by examiner

(73) Assignee: **Grang Fair Industrial Co., Ltd.**,  
Taipei (TW)

*Primary Examiner*—Marcus A. Jackson  
(74) *Attorney, Agent, or Firm*—Rosenberg, Klein & Lee

(\*\*) Term: **14 Years**

(57) **CLAIM**

(21) Appl. No.: **29/245,743**

The ornamental design for a vehicle light, as shown and described.

(22) Filed: **Dec. 29, 2005**

**DESCRIPTION**

(51) **LOC (8) Cl.** ..... **26-06**

(52) **U.S. Cl.** ..... **D26/28**

(58) **Field of Classification Search** ..... D26/28–36;  
362/459–468, 475–478, 485–487

See application file for complete search history.

FIG. 1 is a perspective view of a vehicle light showing my new design;

FIG. 2 is a front elevational view thereof;

FIG. 3 is a rear elevational view thereof;

FIG. 4 is a left side elevational view thereof;

FIG. 5 is a right side elevational view thereof;

FIG. 6 is a top plan view thereof; and,

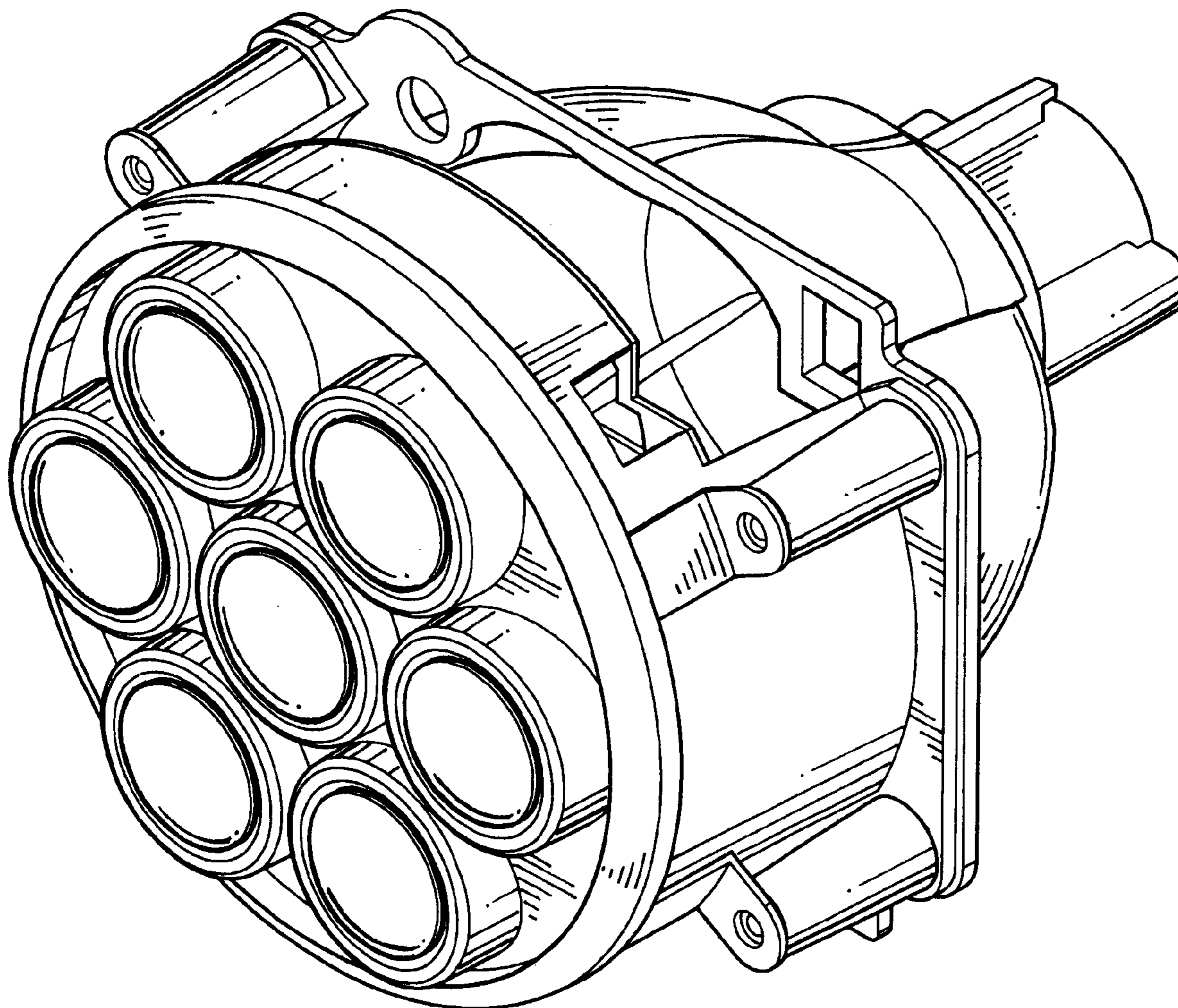
FIG. 7 is a bottom plan view thereof.

(56) **References Cited**

**U.S. PATENT DOCUMENTS**

D503,004 S \* 3/2005 Jiao et al. .... D26/28

**1 Claim, 4 Drawing Sheets**



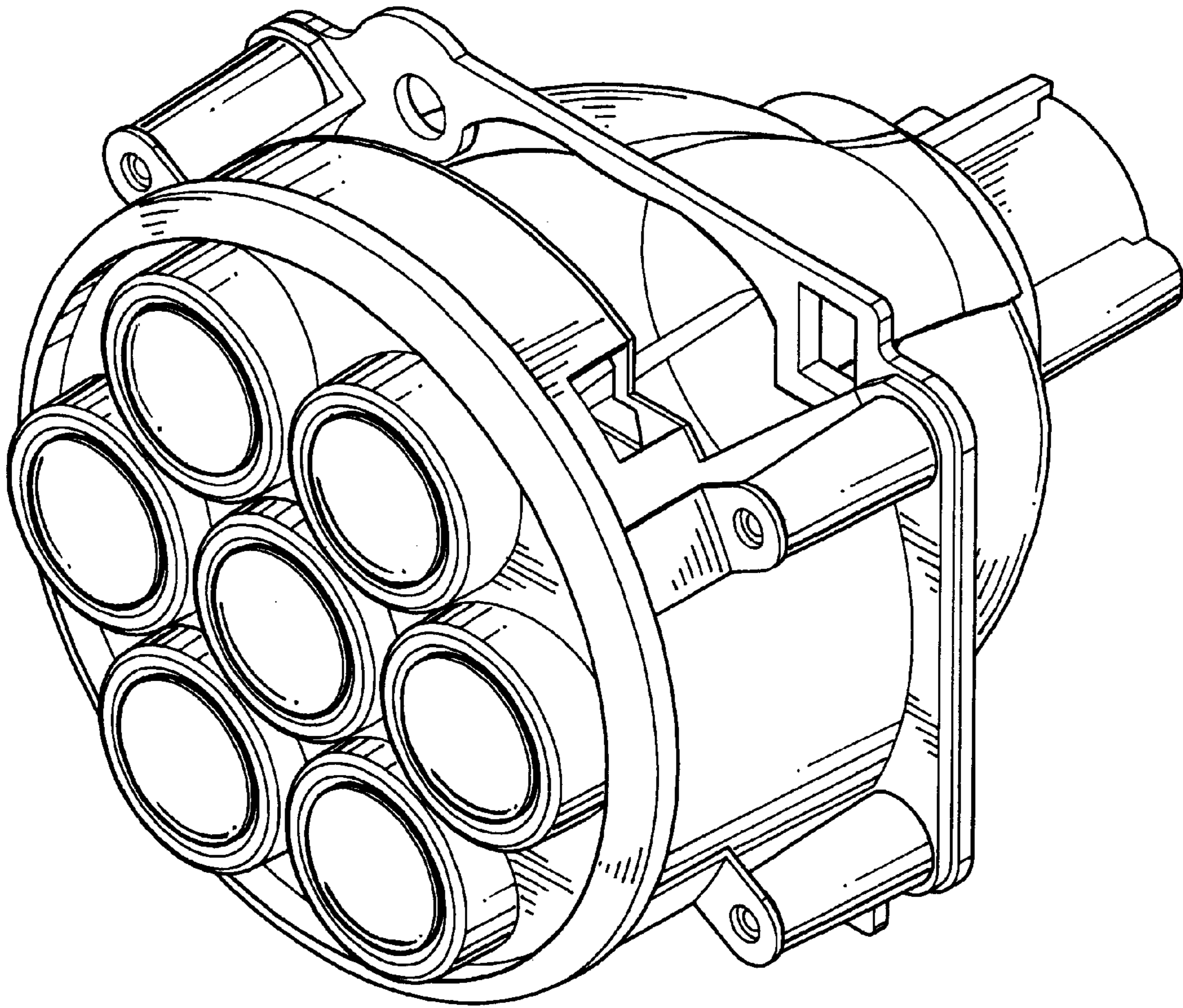


FIG. 1

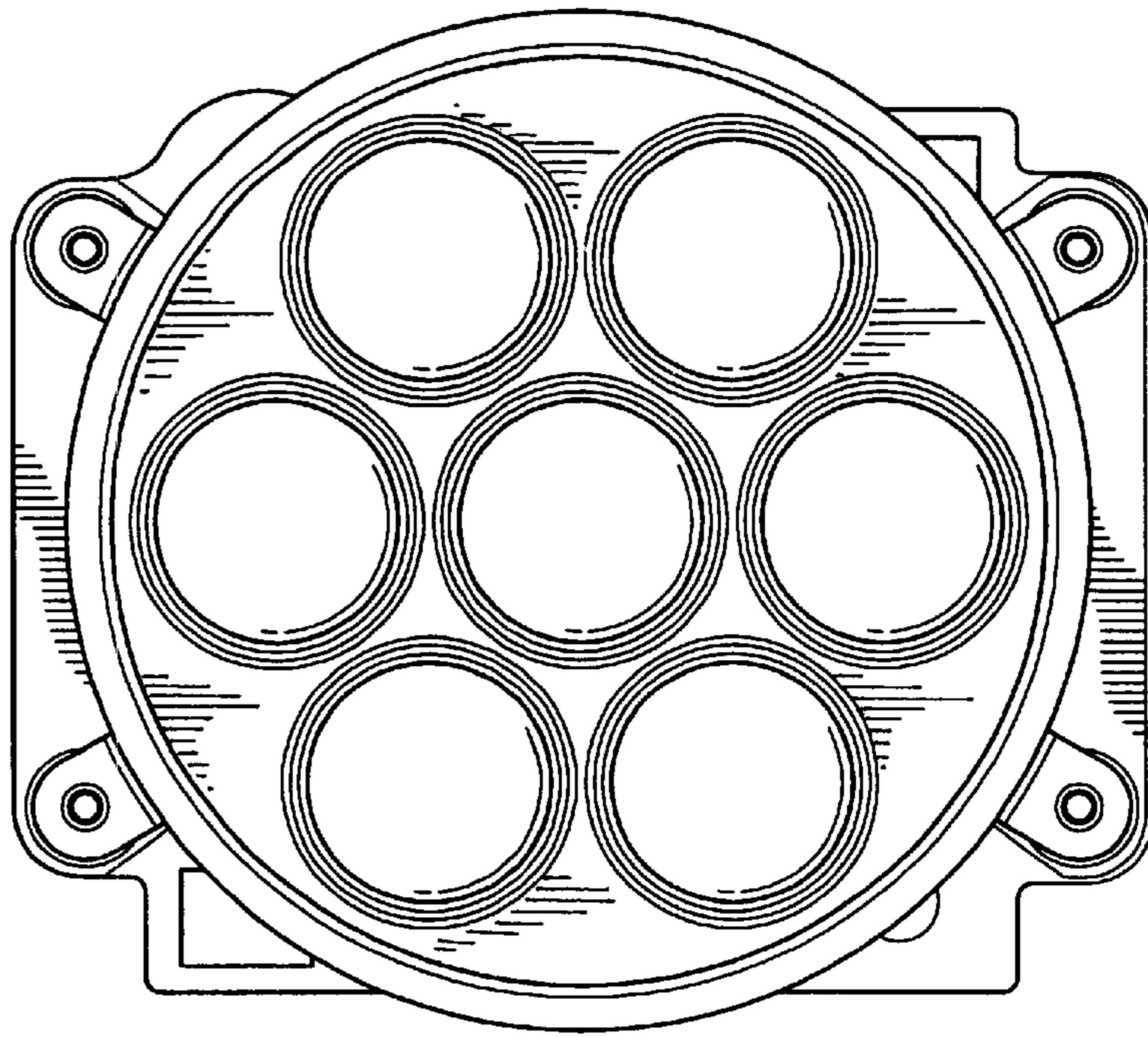


FIG. 2

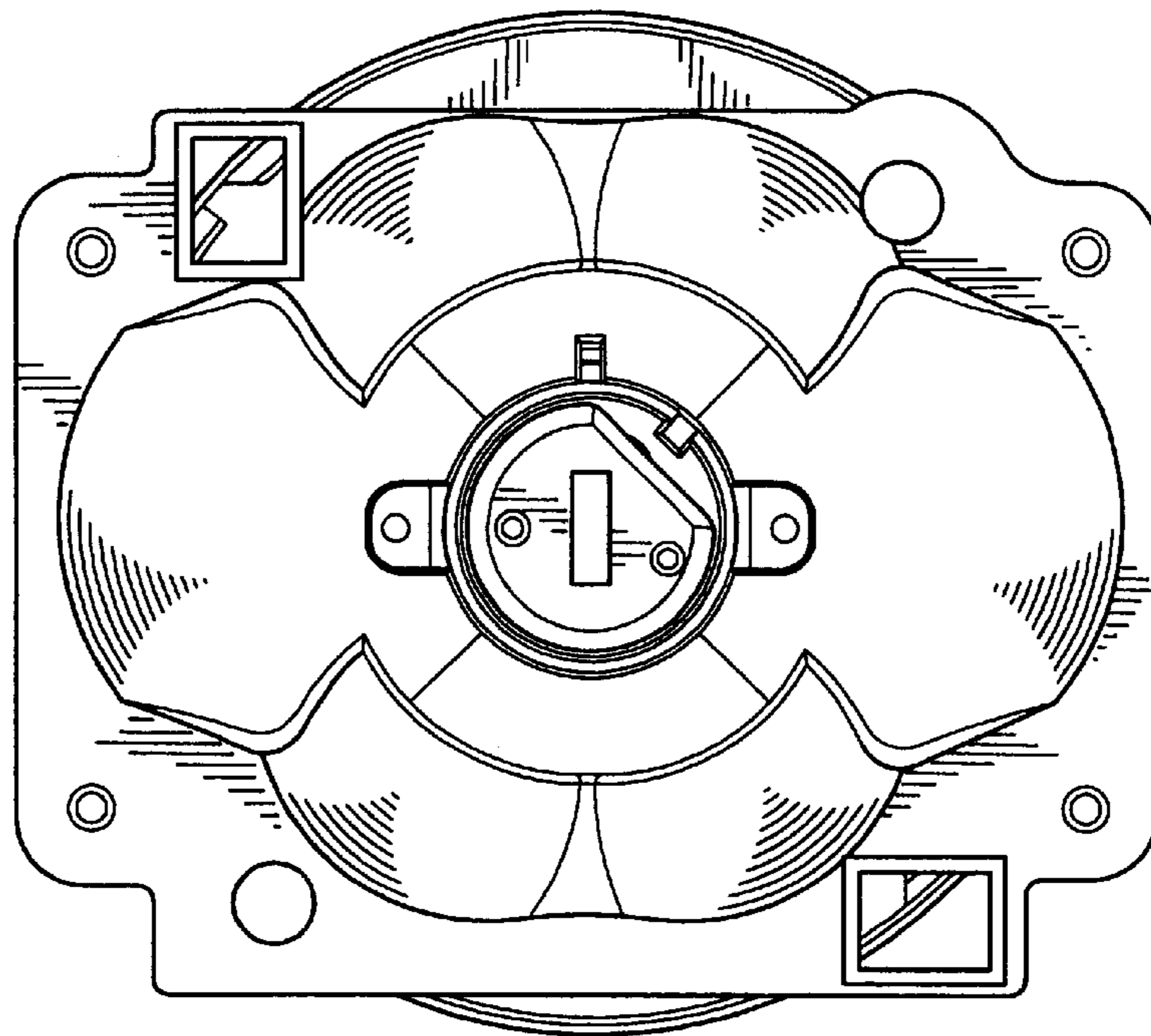


FIG. 3

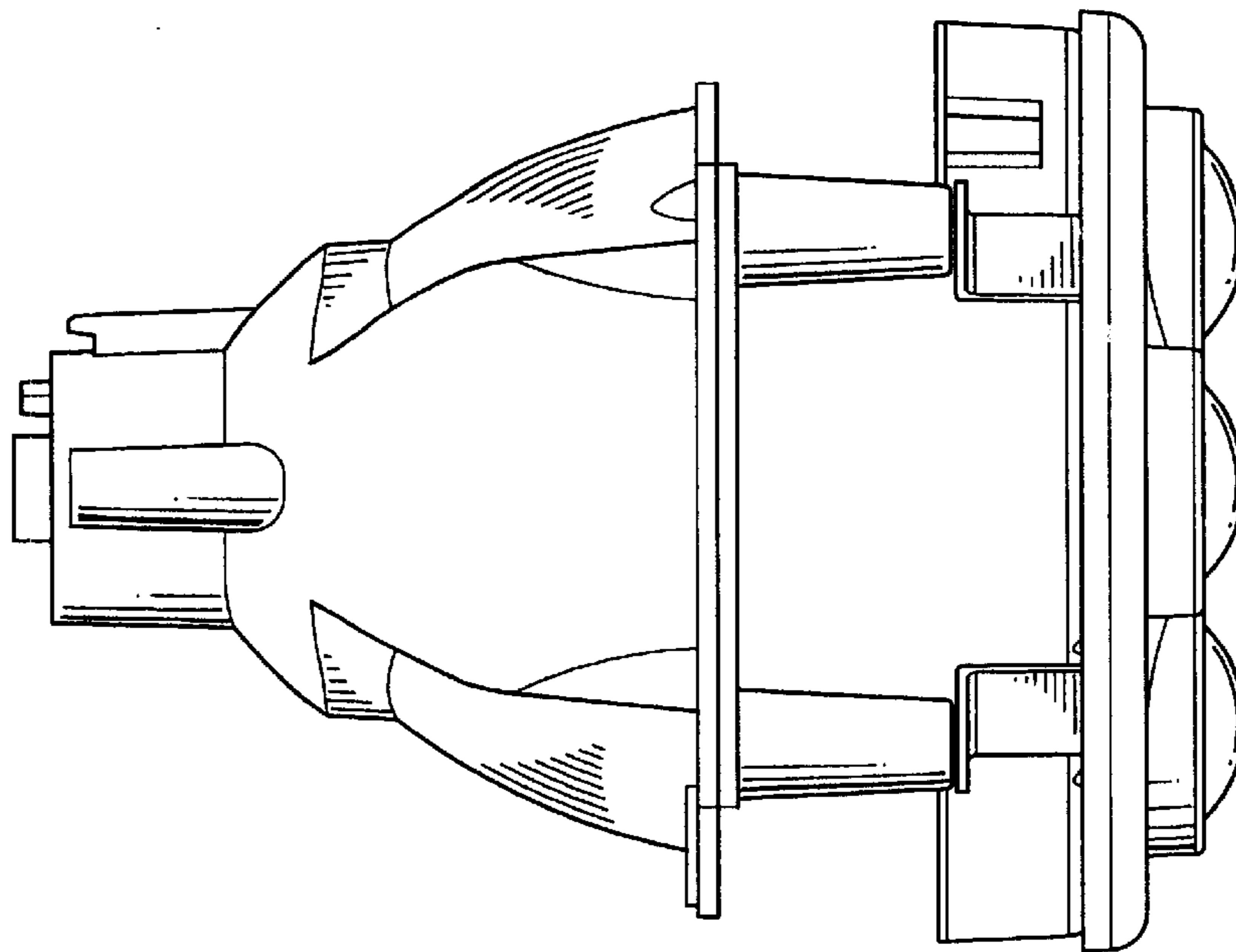


FIG. 4

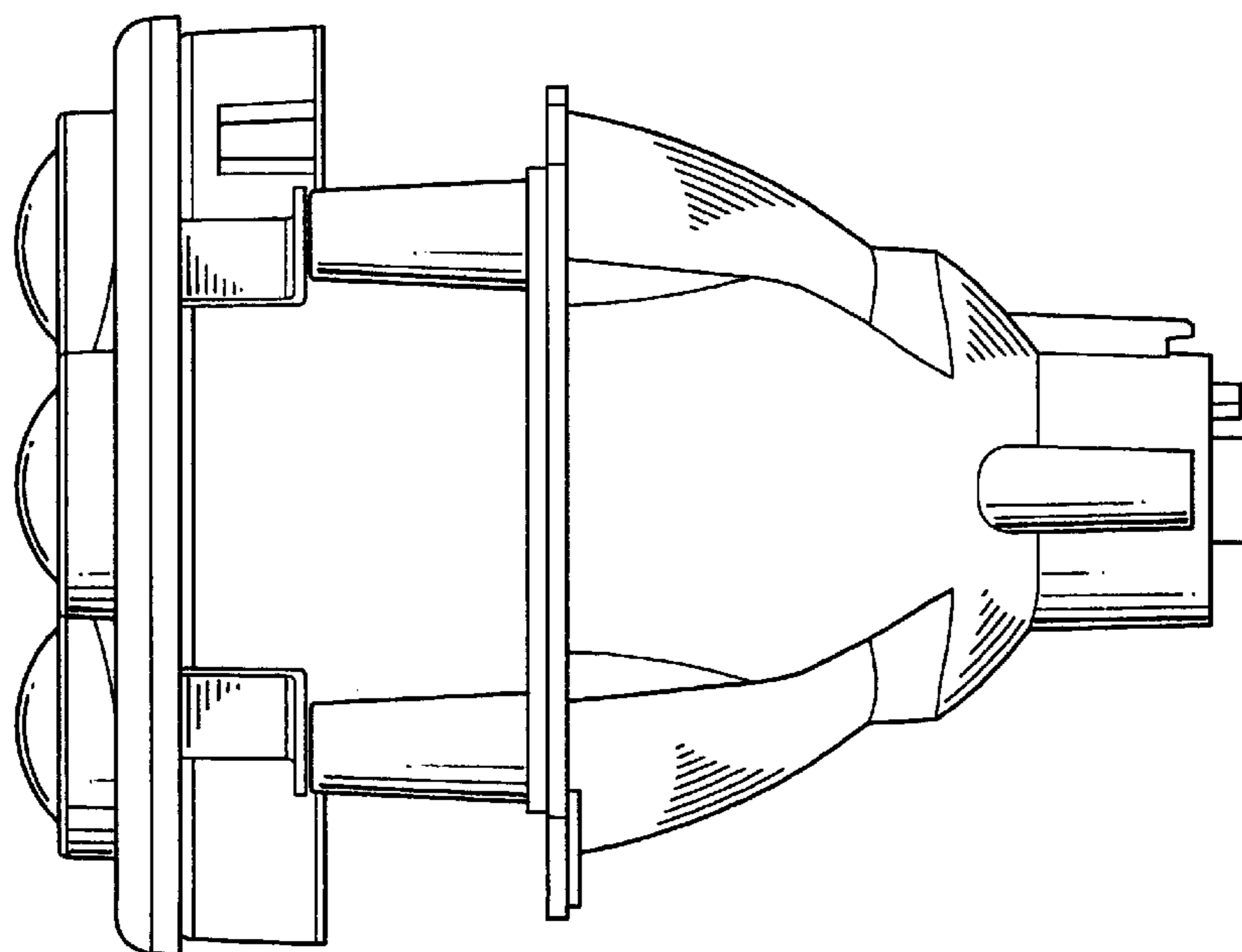


FIG. 5

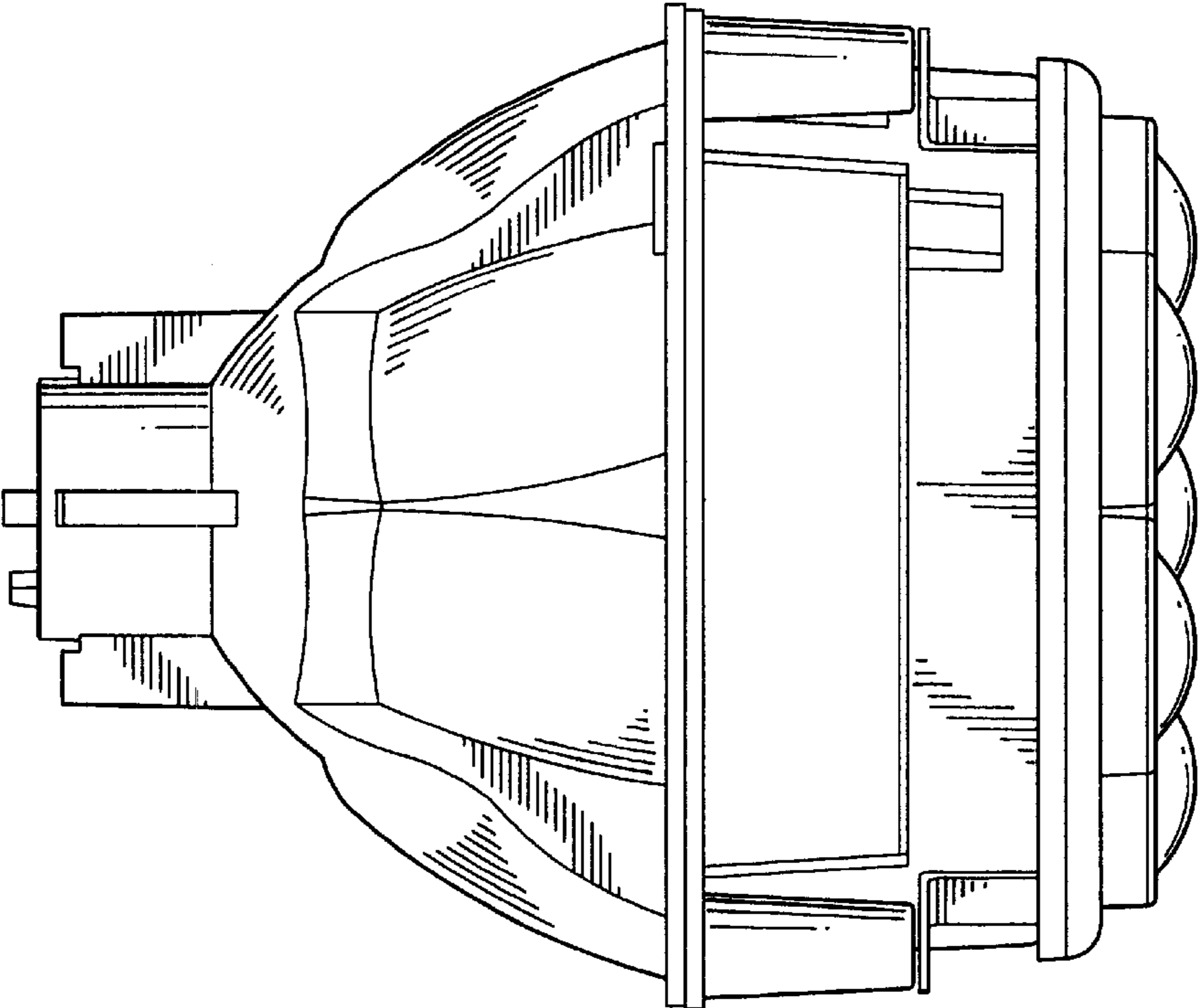


FIG. 6

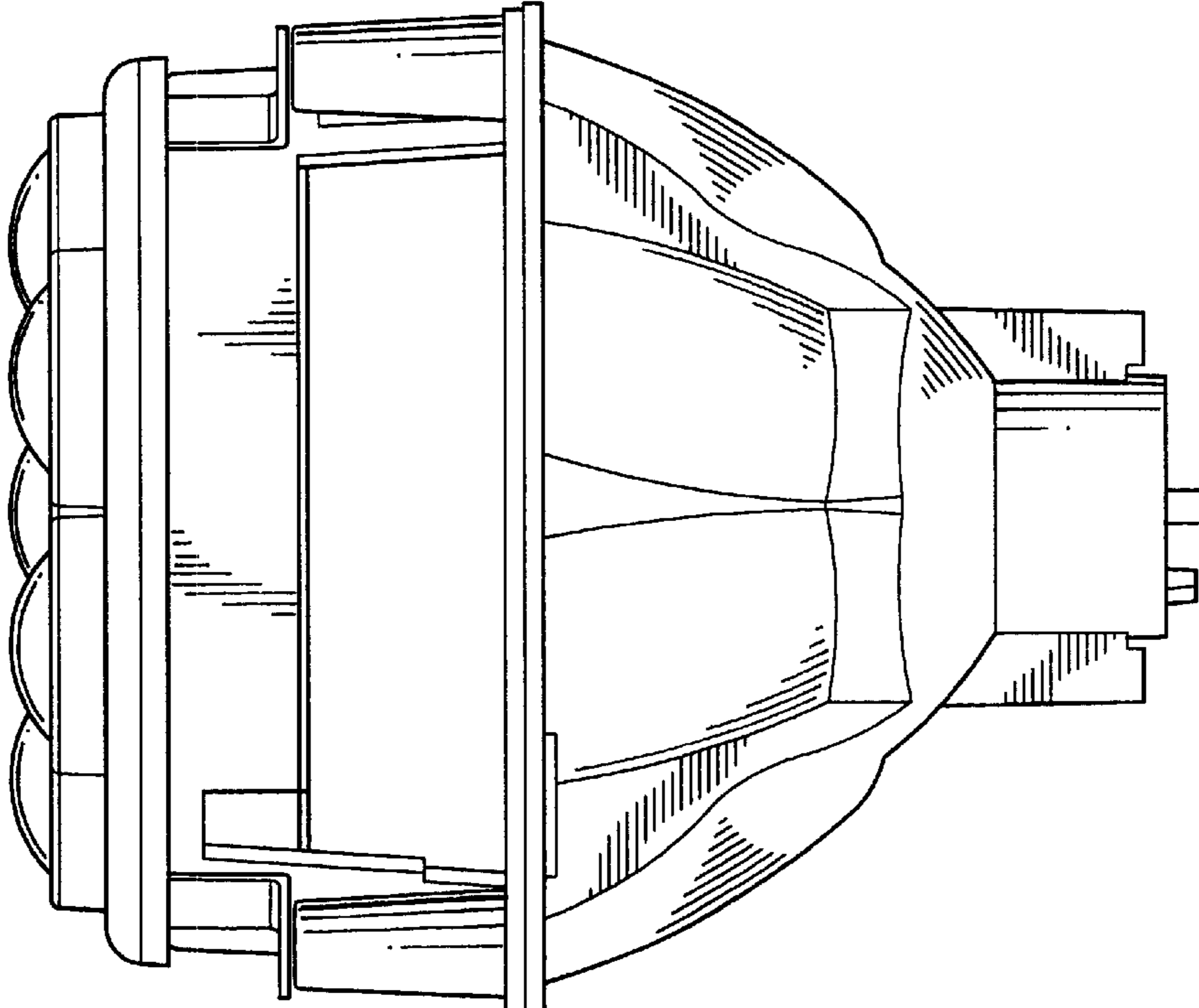


FIG. 7