



US00D532129S

(12) **United States Design Patent**
Chen

(10) **Patent No.:** **US D532,129 S**

(45) **Date of Patent:** **** Nov. 14, 2006**

(54) **HEADLIGHT FOR BICYCLES**

(75) Inventor: **Ming-Chang Chen**, Tainan Hsien (TW)

(73) Assignee: **Co-Union Industry Co., Ltd.**, Tainan Hsien (TW)

(**) Term: **14 Years**

(21) Appl. No.: **29/244,726**

(22) Filed: **Dec. 14, 2005**

(51) **LOC (8) Cl.** **26-06**

(52) **U.S. Cl.** **D26/28**

(58) **Field of Classification Search** D26/28-36;
362/459-468, 475-478, 485-487, 183-208
See application file for complete search history.

(56) **References Cited**

U.S. PATENT DOCUMENTS

- D497,444 S * 10/2004 Okuda et al. D26/28
- D498,550 S * 11/2004 Chen D26/28
- D513,083 S * 12/2005 Okuda et al. D26/28

- D513,333 S * 12/2005 Okuda et al. D26/28
- D514,239 S * 1/2006 Okuda D26/28
- D523,574 S * 6/2006 Lee D26/28

* cited by examiner

Primary Examiner—Marcus A. Jackson

(74) *Attorney, Agent, or Firm*—Bacon & Thomas

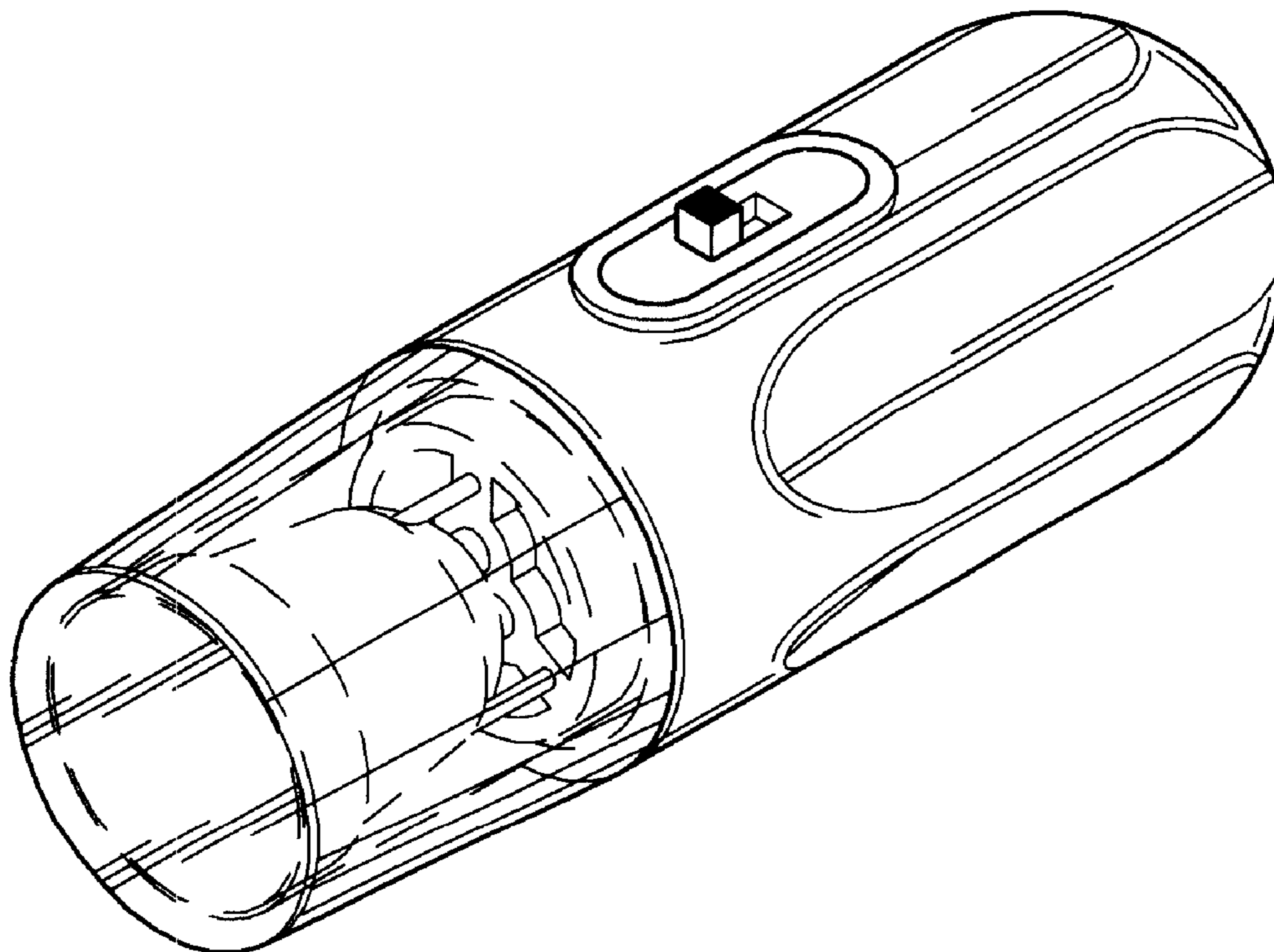
(57) **CLAIM**

The ornamental design for a headlight for bicycles, as shown and described.

DESCRIPTION

FIG. 1 is a perspective view of a headlight for bicycles showing my design;
 FIG. 2 is a front elevational view thereof;
 FIG. 3 is a rear elevational view thereof;
 FIG. 4 is a left side elevational view thereof;
 FIG. 5 is a right side elevational view thereof;
 FIG. 6 is a top plan view thereof; and,
 FIG. 7 is a bottom plan view thereof.

1 Claim, 3 Drawing Sheets



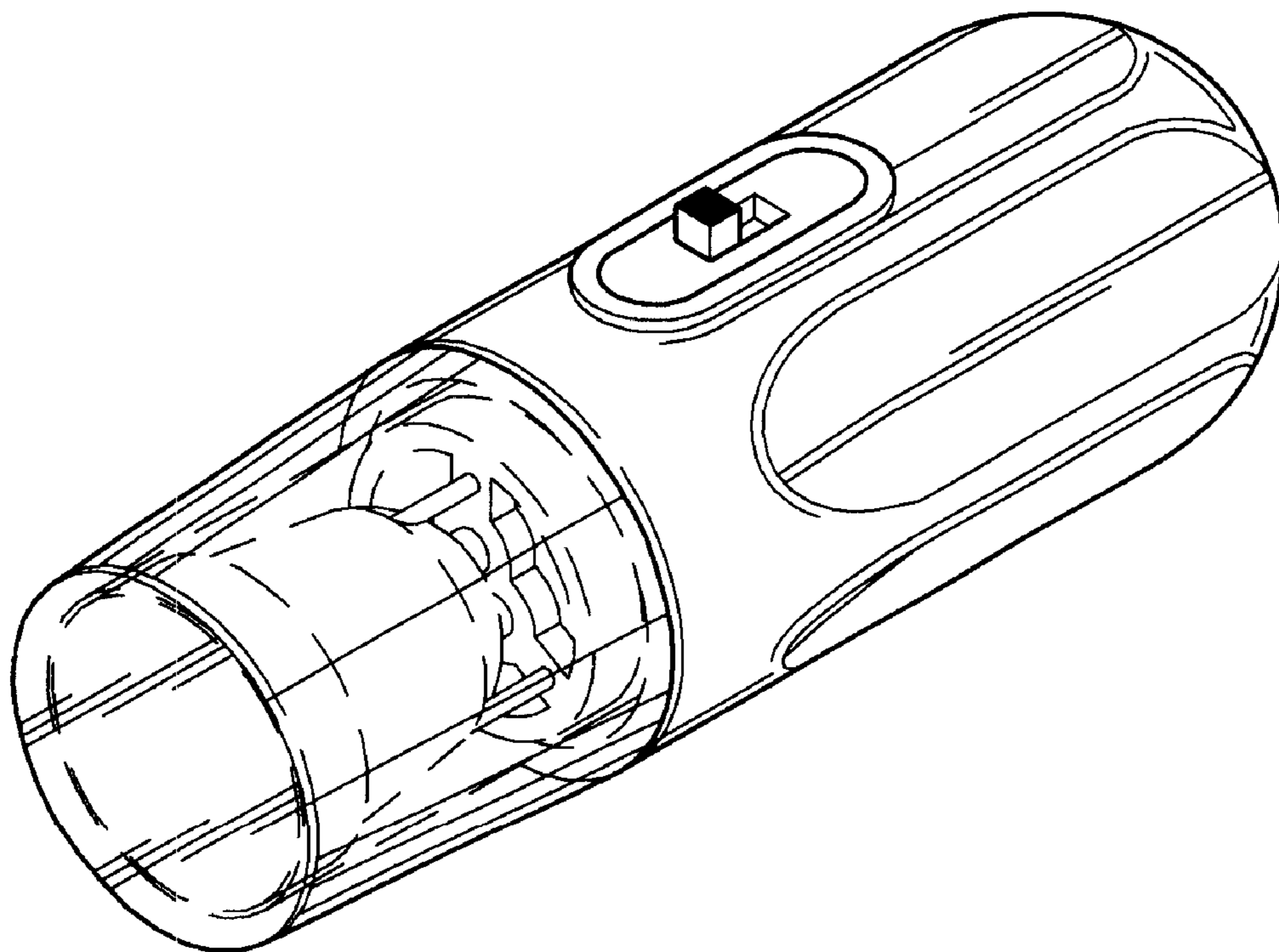


FIG. 1

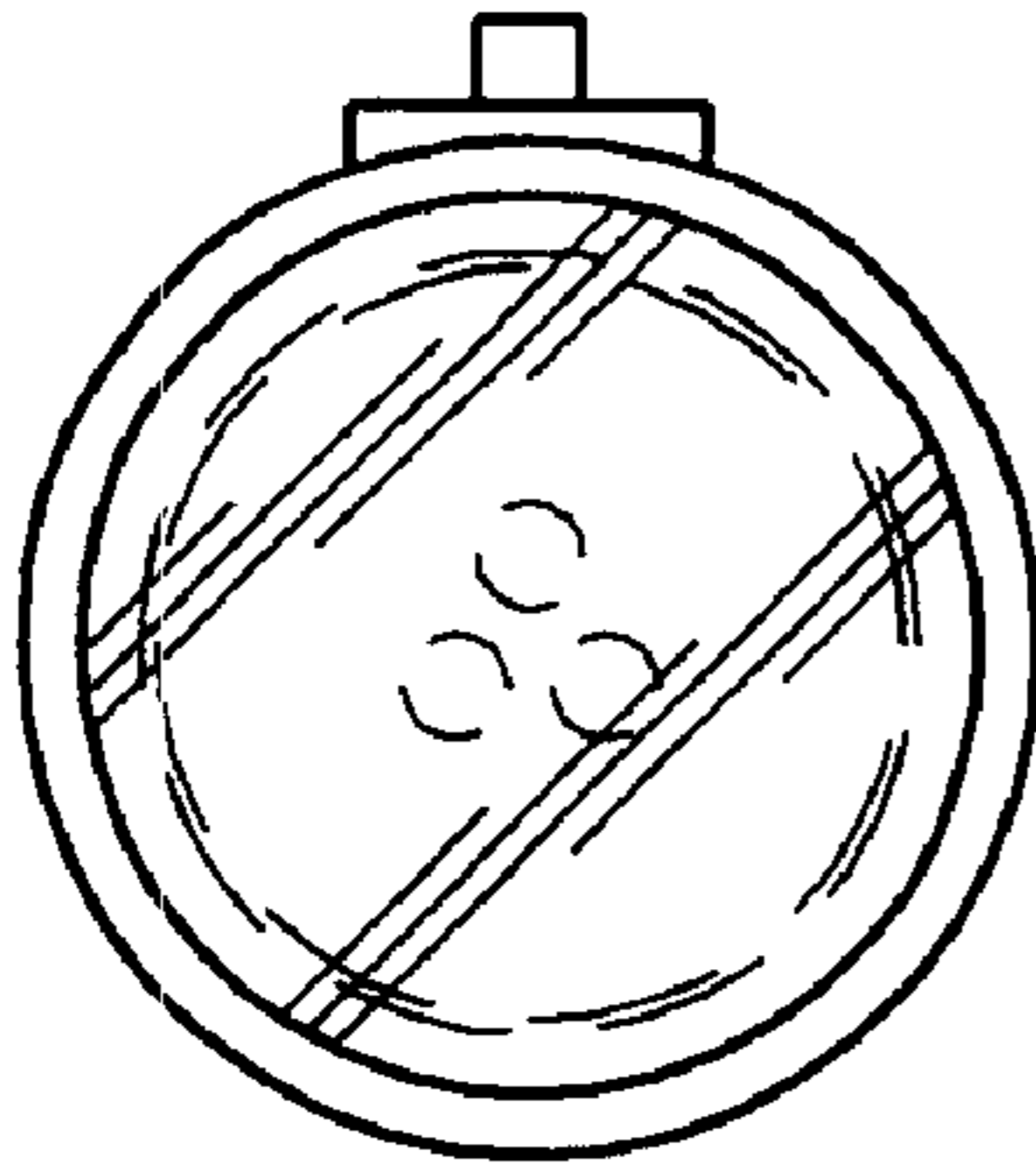


FIG. 2

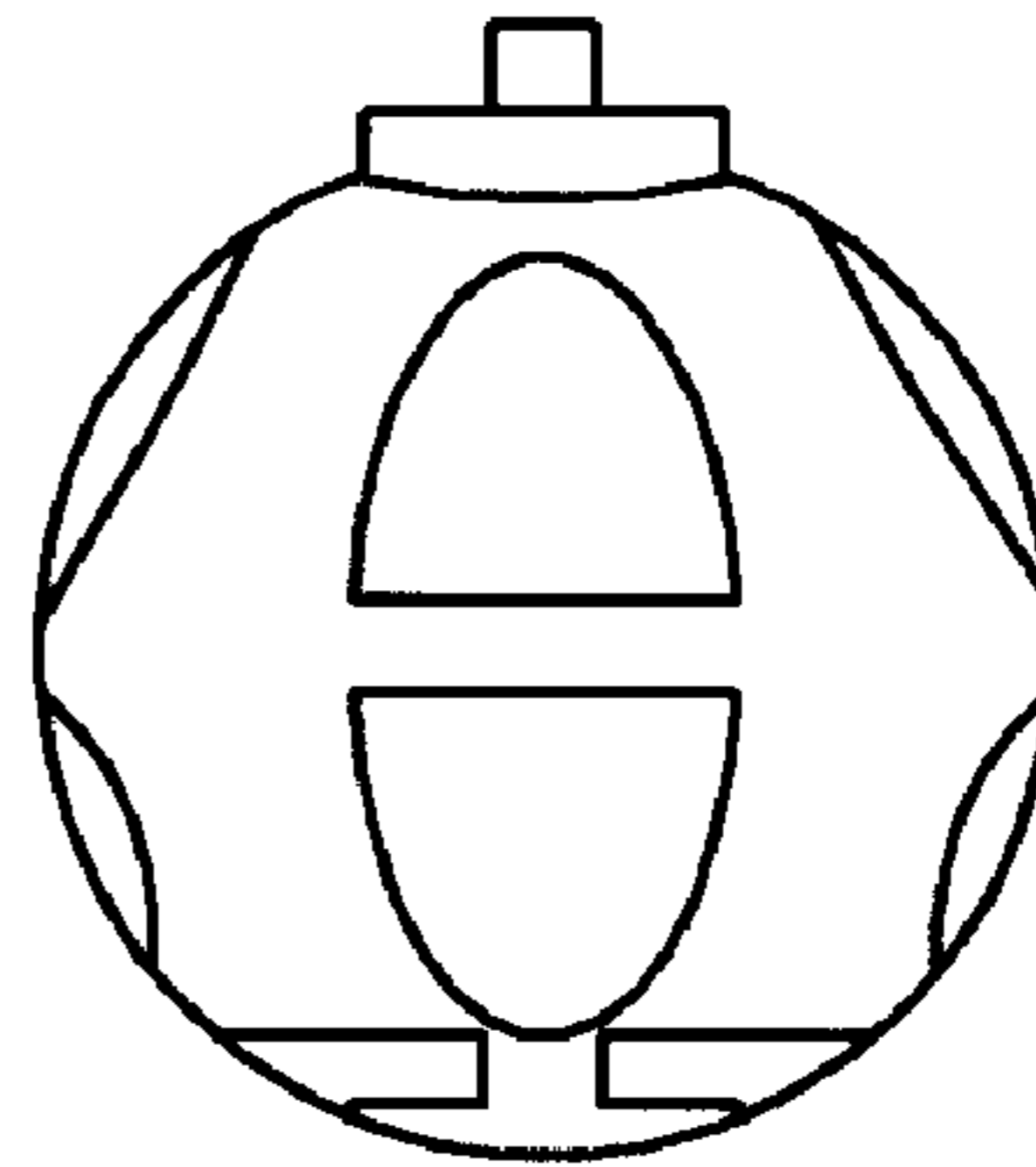


FIG. 3

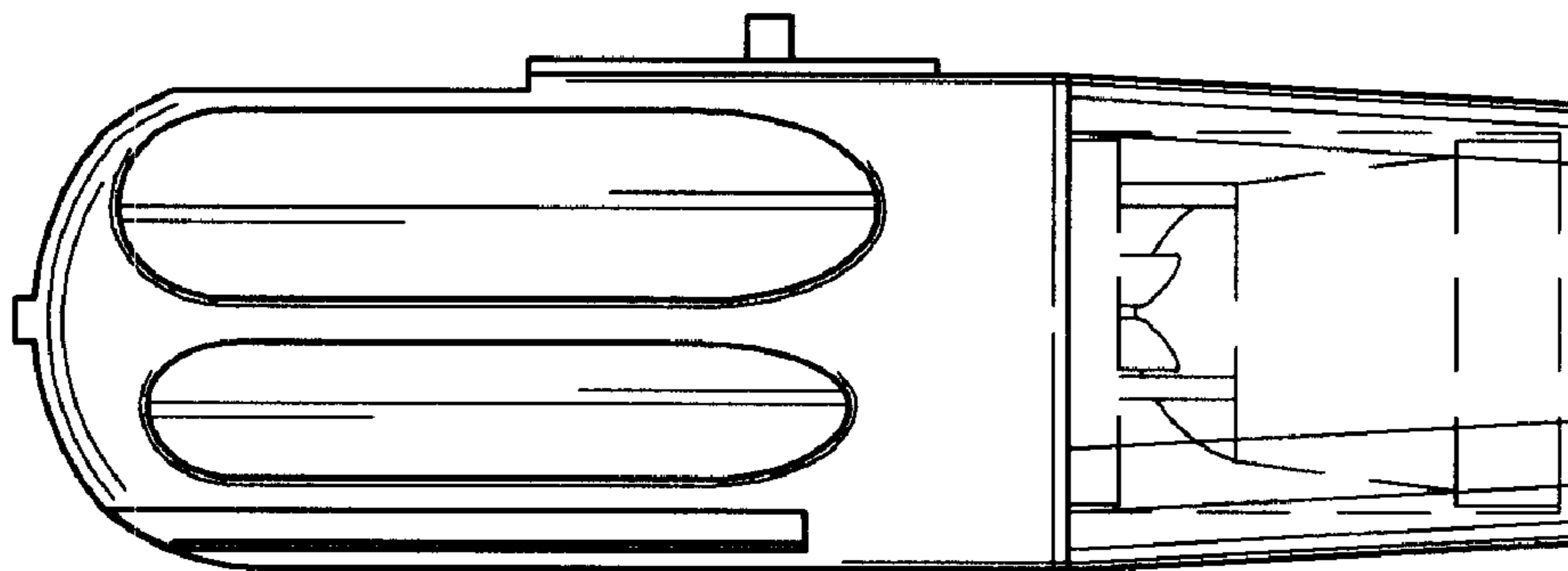


FIG. 4

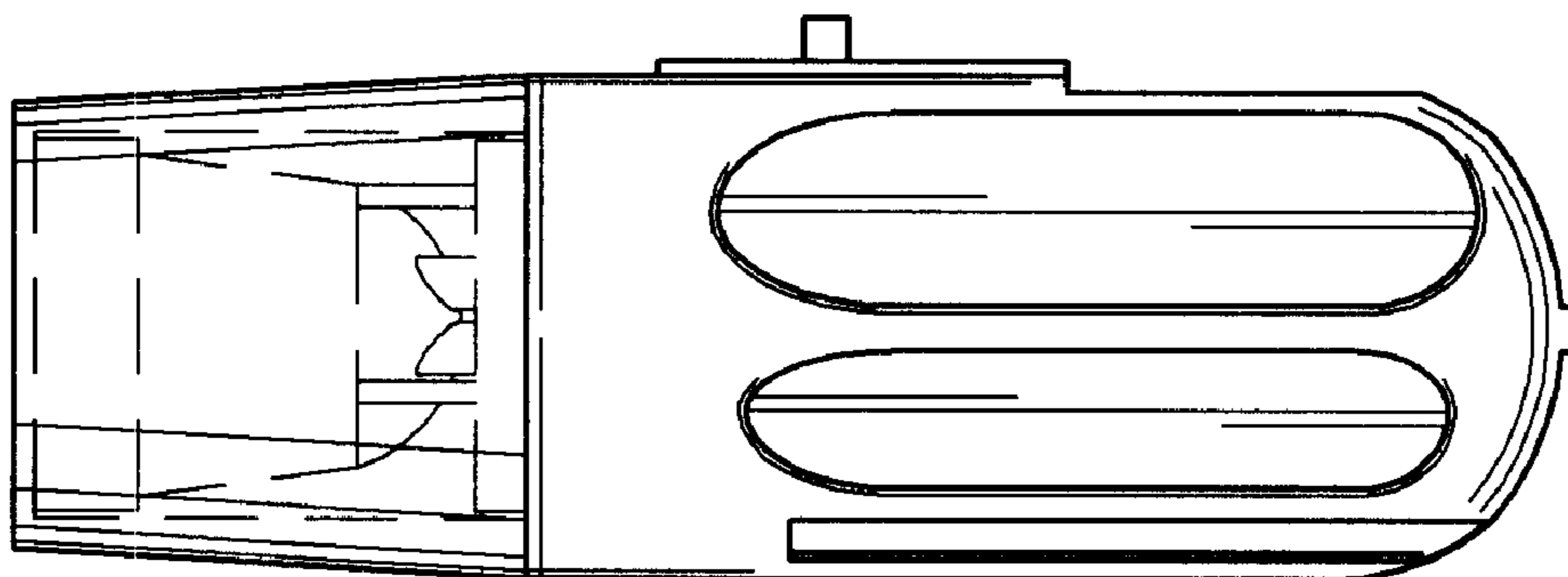


FIG. 5

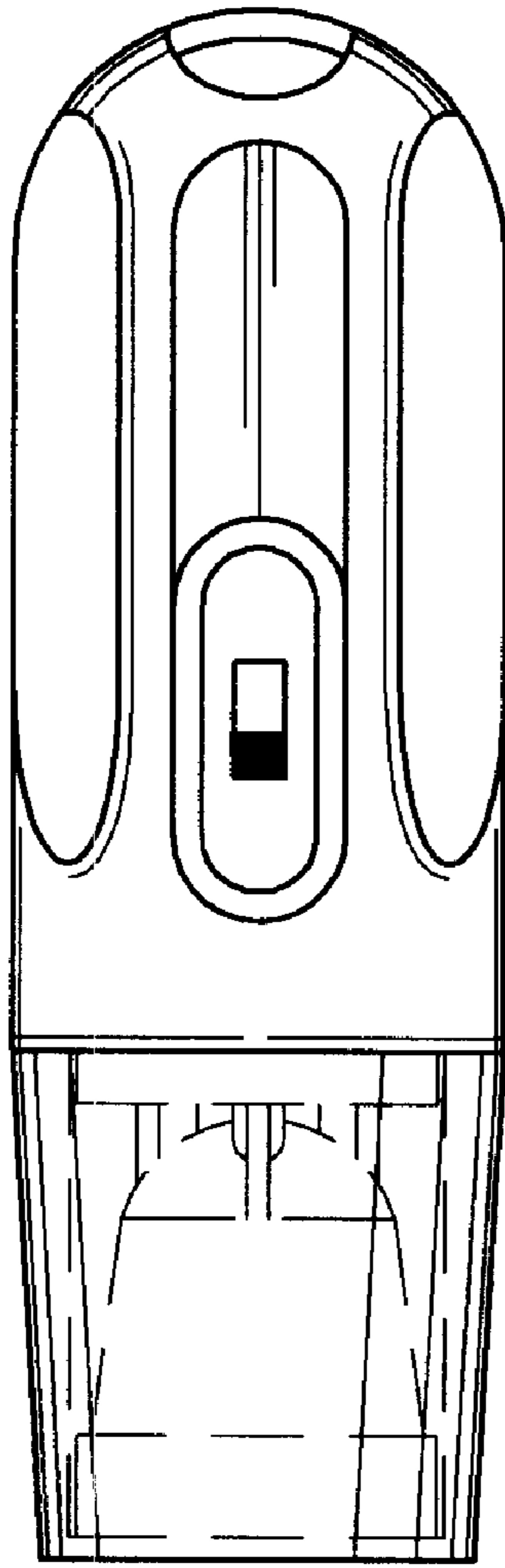


FIG. 6

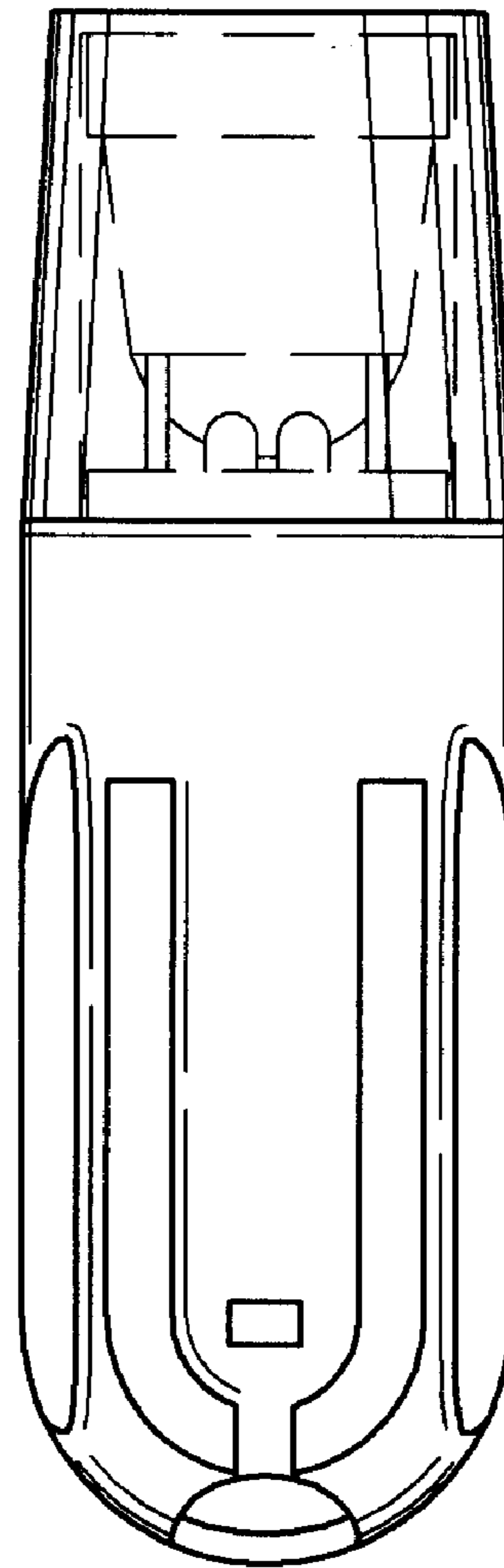


FIG. 7