



US00D532126S

(12) **United States Design Patent**  
**Kinzel et al.**

(10) **Patent No.:** **US D532,126 S**

(45) **Date of Patent:** **\*\* Nov. 14, 2006**

(54) **BOAT LIGHT**

6,539,886 B1 \* 4/2003 Henry et al. .... 114/253  
D515,228 S \* 2/2006 Gebhard et al. .... D26/28

(76) Inventors: **George M. Kinzel**, 521 Case Ave., St. Paul, MN (US) 55101; **Stephen Y. Zheng**, 2745 Natchez Ave. South, St. Louis Park, MN (US) 55416

\* cited by examiner

*Primary Examiner*—Marcus A. Jackson  
(74) *Attorney, Agent, or Firm*—Jacobson and Johnson

(\*\*) Term: **14 Years**

(57) **CLAIM**

(21) Appl. No.: **29/239,645**

The ornamental design for a boat light, as shown and described.

(22) Filed: **Oct. 3, 2005**

**DESCRIPTION**

(51) **LOC (8) Cl.** ..... **26-06**

(52) **U.S. Cl.** ..... **D26/28**

(58) **Field of Classification Search** ..... D26/28-36;  
362/61, 80, 81, 82, 83, 267-275, 459-468,  
362/475-478, 485-487

FIG. 1 is a perspective view of a boat light, showing our design;

FIG. 2 is an elevational view of one side;

FIG. 3 is a front elevational view;

FIG. 4 is a rear elevational view;

FIG. 5 is a top view; and,

FIG. 6 is a bottom view.

The other side is a mirror image of FIG. 2.

See application file for complete search history.

(56) **References Cited**

**U.S. PATENT DOCUMENTS**

D463,048 S \* 9/2002 Scott et al. .... D26/28

**1 Claim, 3 Drawing Sheets**

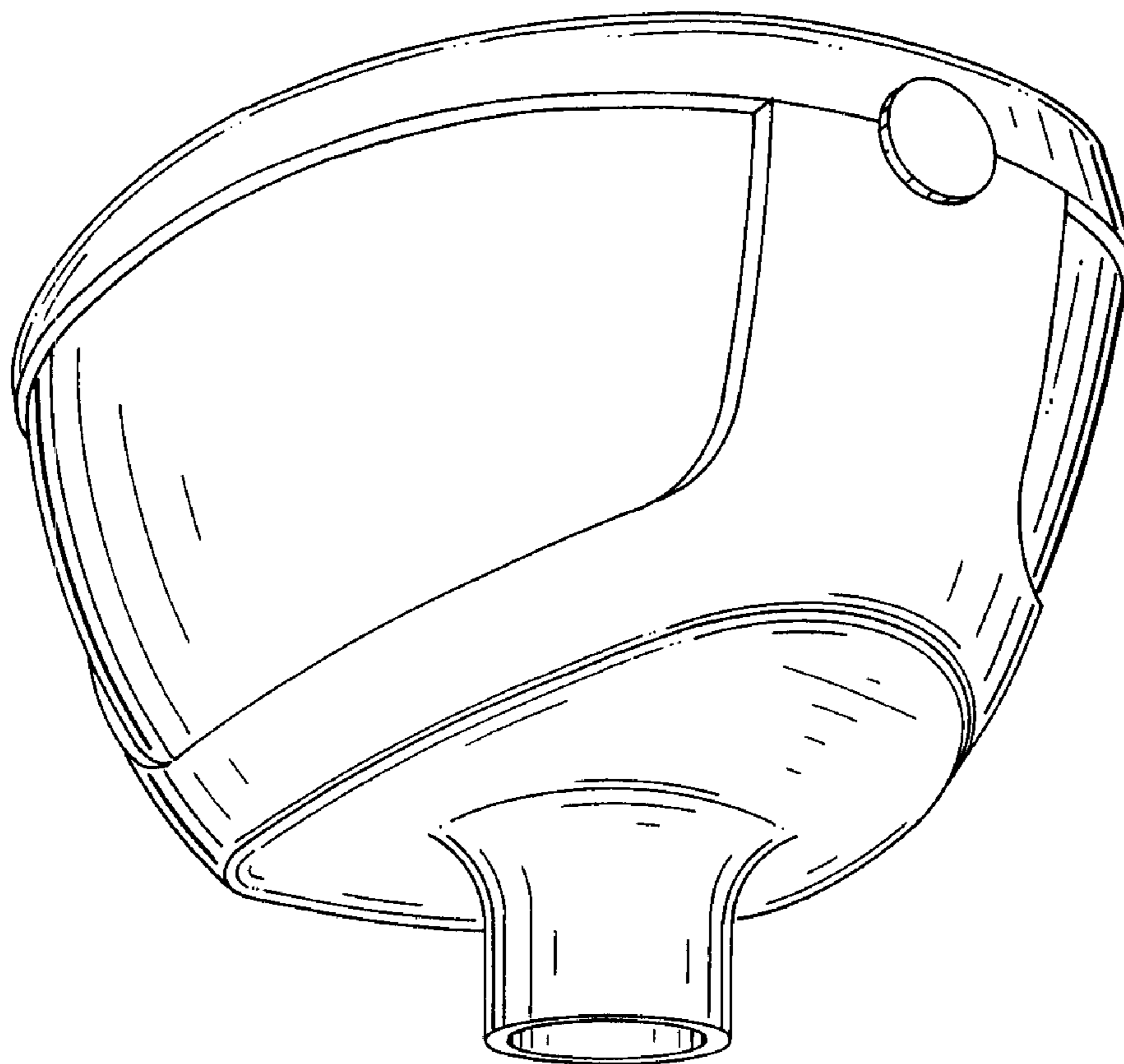


Fig.-1

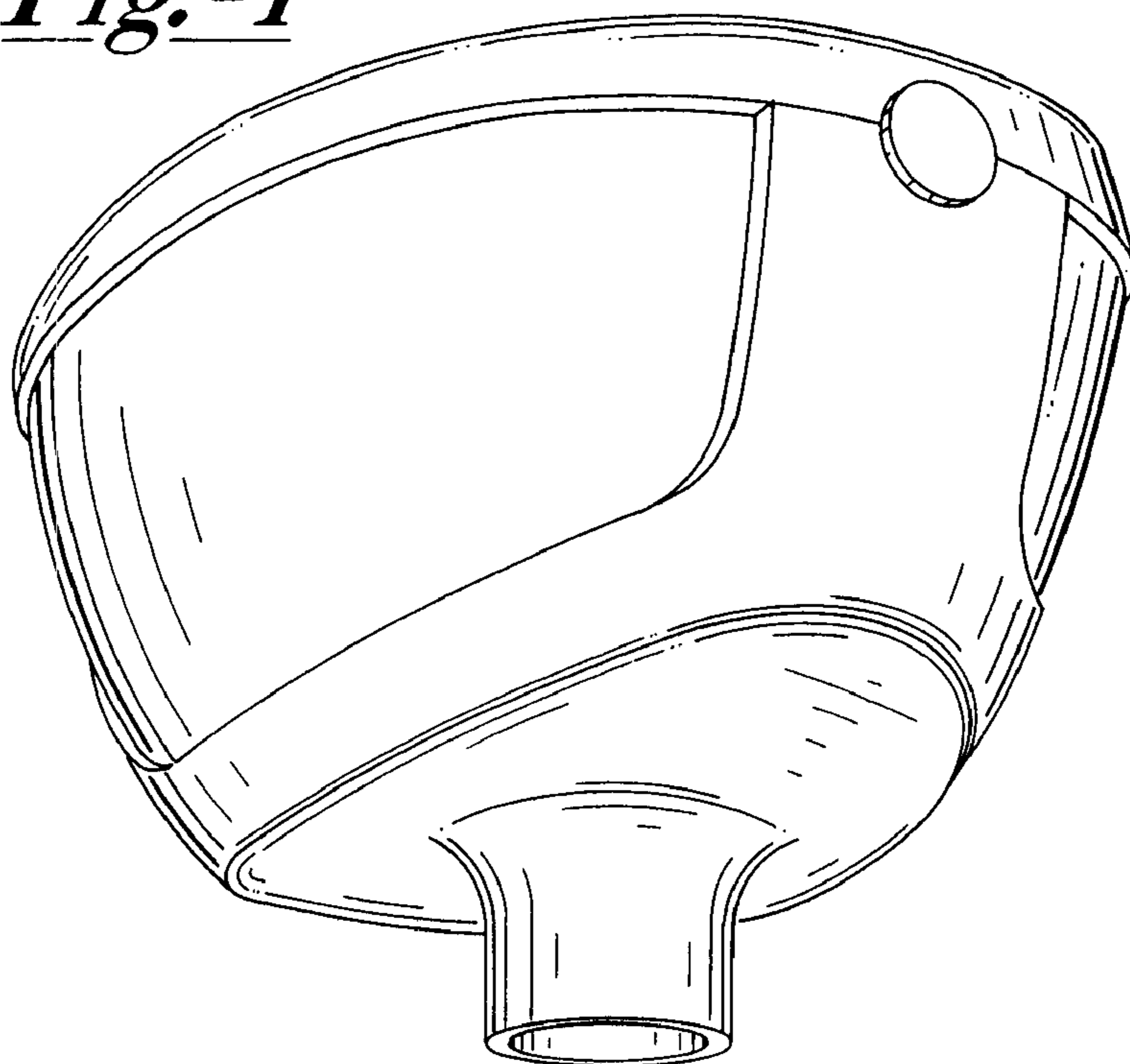


Fig.-2

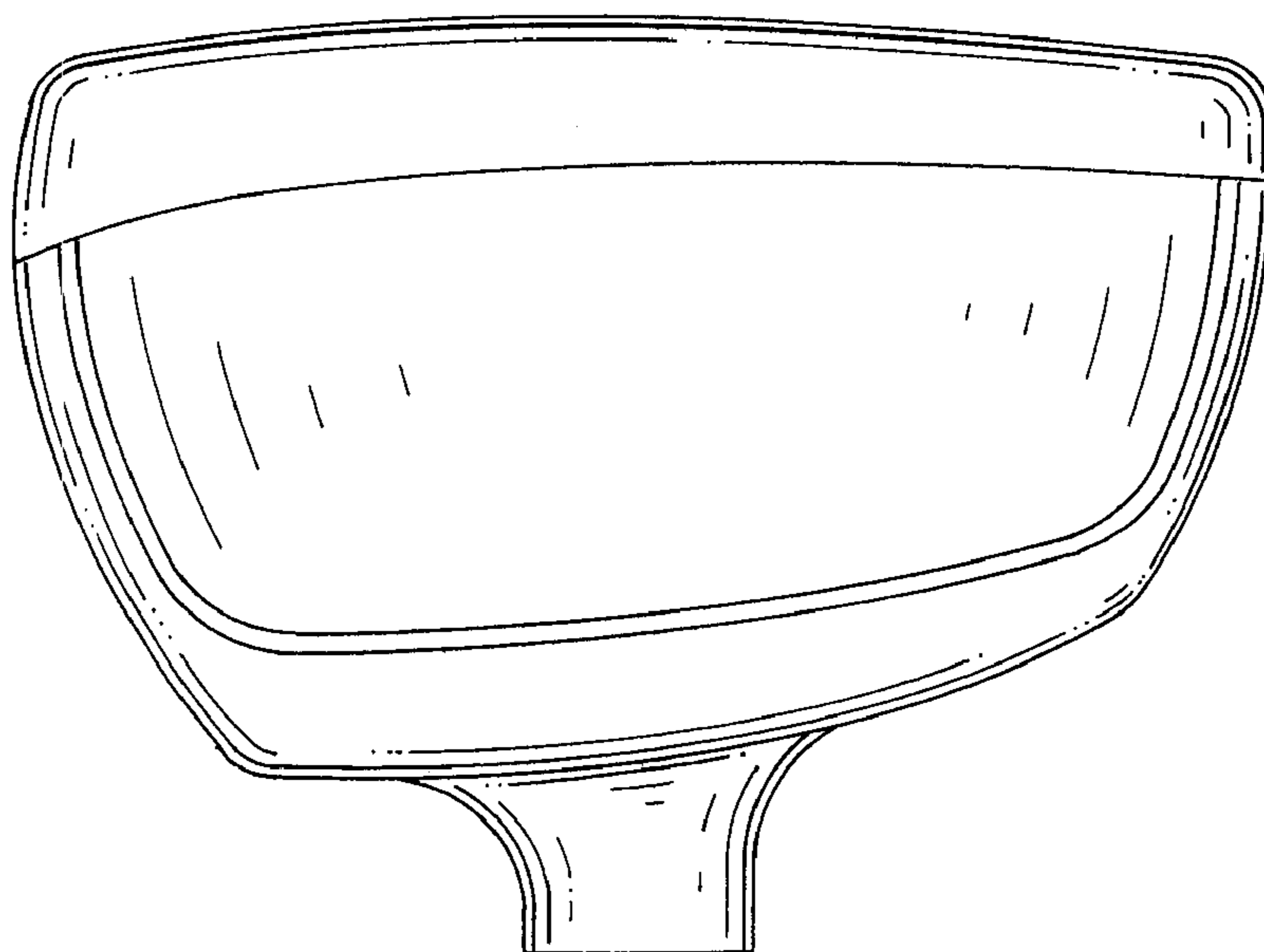


Fig.-3

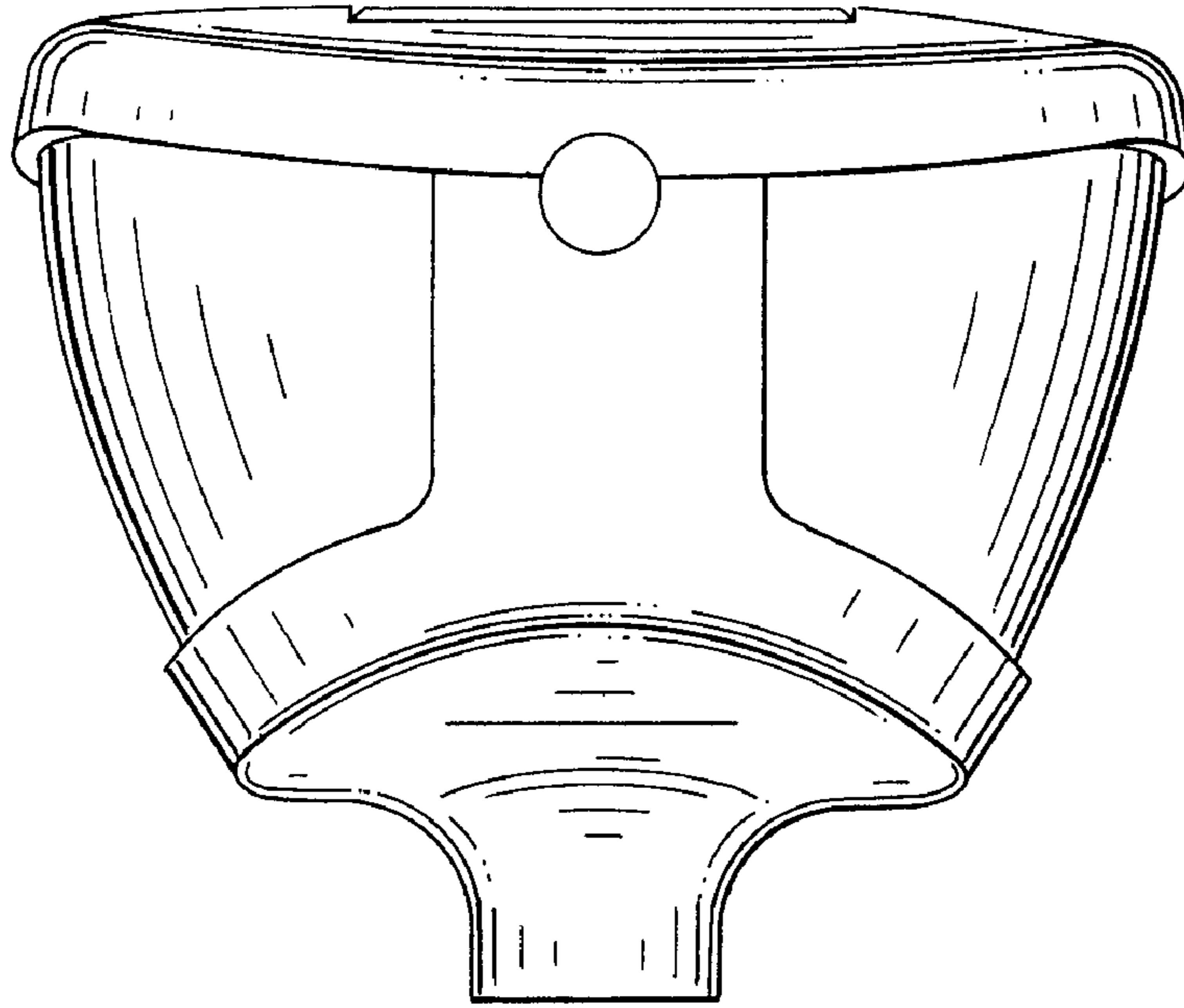


Fig.-4

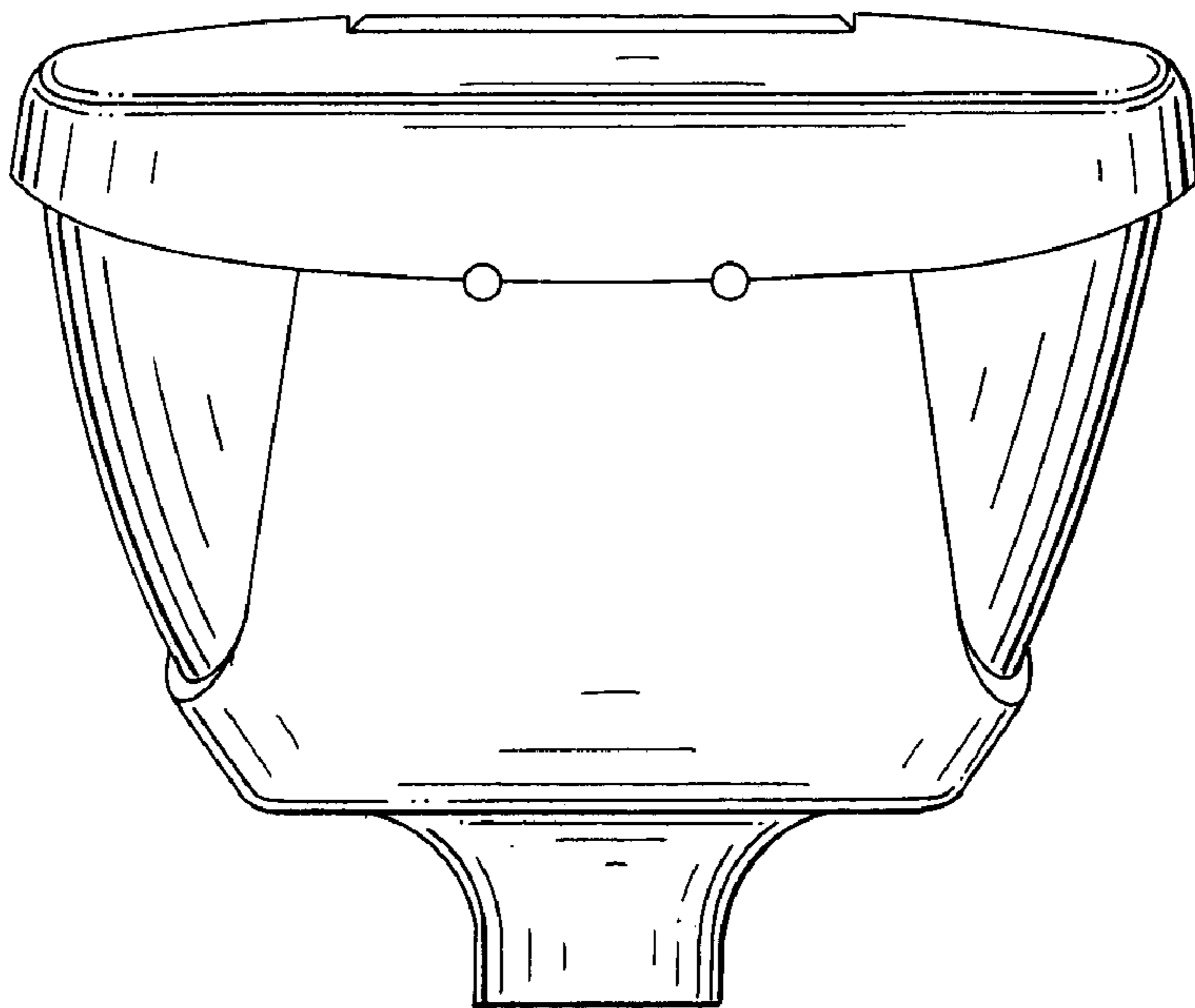


Fig.-5

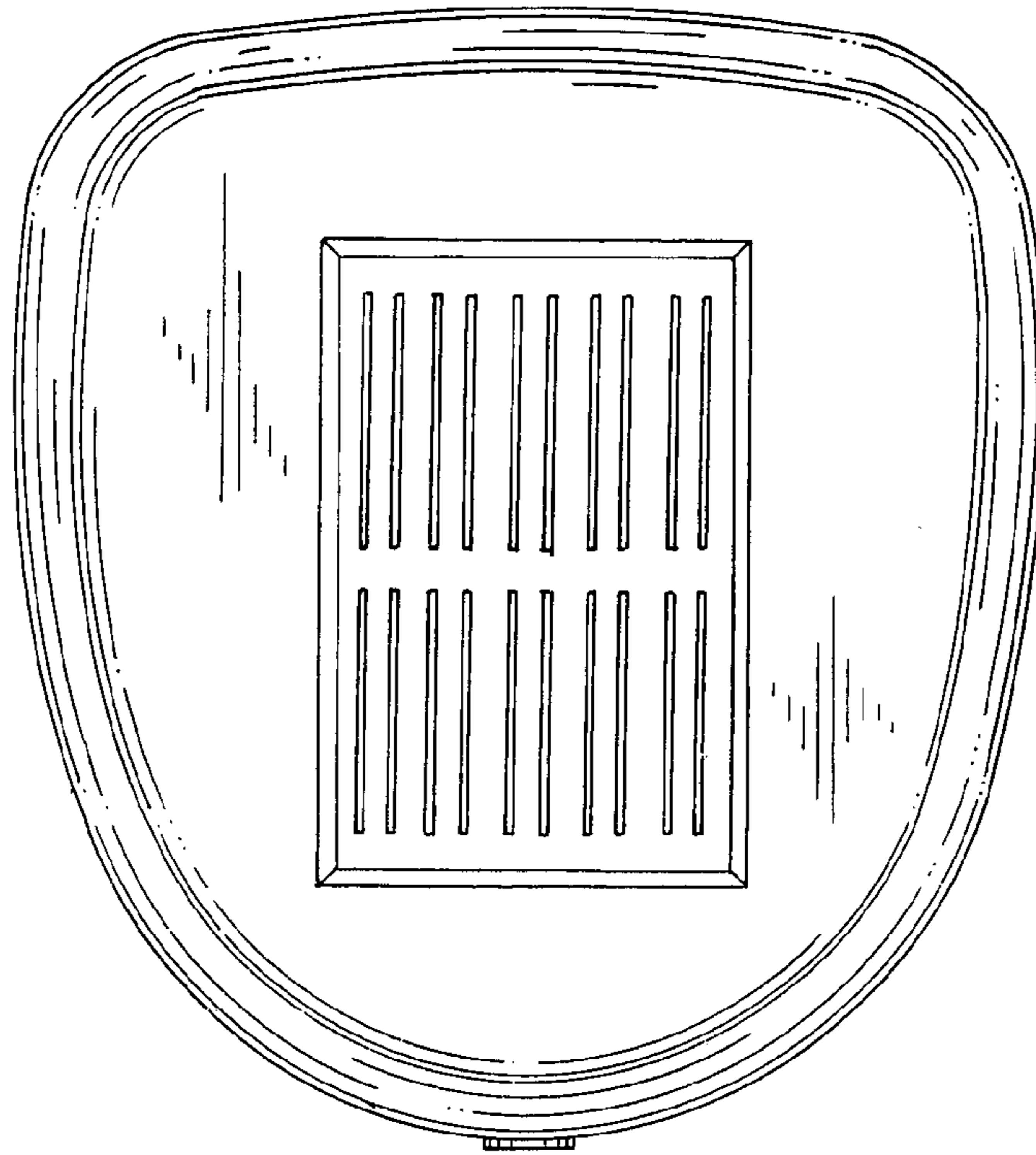


Fig.-6

