



US00D532125S

(12) **United States Design Patent**  
**Branstetter et al.**

(10) **Patent No.:** **US D532,125 S**

(45) **Date of Patent:** **\*\* Nov. 14, 2006**

(54) **OVAL SIDEMARKER LAMP**

(75) Inventors: **Cary D. Branstetter**, Madison, IN (US); **Newel Lloyd Stephens**, Madison, IN (US)

(73) Assignee: **Grote Industries, Inc.**, Madison, IN (US)

(\*\*) Term: **14 Years**

(21) Appl. No.: **29/229,707**

(22) Filed: **May 10, 2005**

(51) **LOC (8) Cl.** ..... **26-06**

(52) **U.S. Cl.** ..... **D26/28**

(58) **Field of Classification Search** ..... D26/28-36;  
362/459-468, 475-478, 485-487  
See application file for complete search history.

(56) **References Cited**

U.S. PATENT DOCUMENTS

D420,302 S	*	2/2000	Barnhart	.....	D10/113
D437,650 S	*	2/2001	Moore	.....	D26/28
D442,304 S	*	5/2001	Huang	.....	D26/28
D447,826 S	*	9/2001	Kang	.....	D26/28
D489,466 S	*	5/2004	Dohogne et al.	.....	D26/28
D492,047 S	*	6/2004	Dohogne et al.	.....	D26/28
D498,549 S	*	11/2004	Campagna	.....	D26/28

\* cited by examiner

*Primary Examiner*—Marcus A. Jackson  
(74) *Attorney, Agent, or Firm*—Woodard, Emhardt, Moriarty, McNett & Henry LLP

(57) **CLAIM**

The ornamental design for a oval sidemarker lamp, as shown and described.

**DESCRIPTION**

FIG. 1 is a perspective plan view of a first embodiment of our new oval sidemarker lamp design.

FIG. 2 is a top plan view of a first embodiment of our new oval sidemarker lamp design.

FIG. 3 is a first side elevational view of a first embodiment of our new oval sidemarker lamp design.

FIG. 4 is a second side elevational view of a first embodiment of our new oval sidemarker lamp design.

FIG. 5 is a bottom plan view of a first embodiment of our new oval sidemarker lamp design.

FIG. 6 is a first end elevational view of a first embodiment of our new oval sidemarker lamp design.

FIG. 7 is a second end elevational view of a second embodiment of our new oval sidemarker lamp design.

FIG. 8 is a perspective plan view of a second embodiment of our new oval sidemarker lamp design.

FIG. 9 is a top plan view of a second embodiment of our new oval sidemarker lamp design.

FIG. 10 is a first side elevational view of a second embodiment of our new oval sidemarker lamp design.

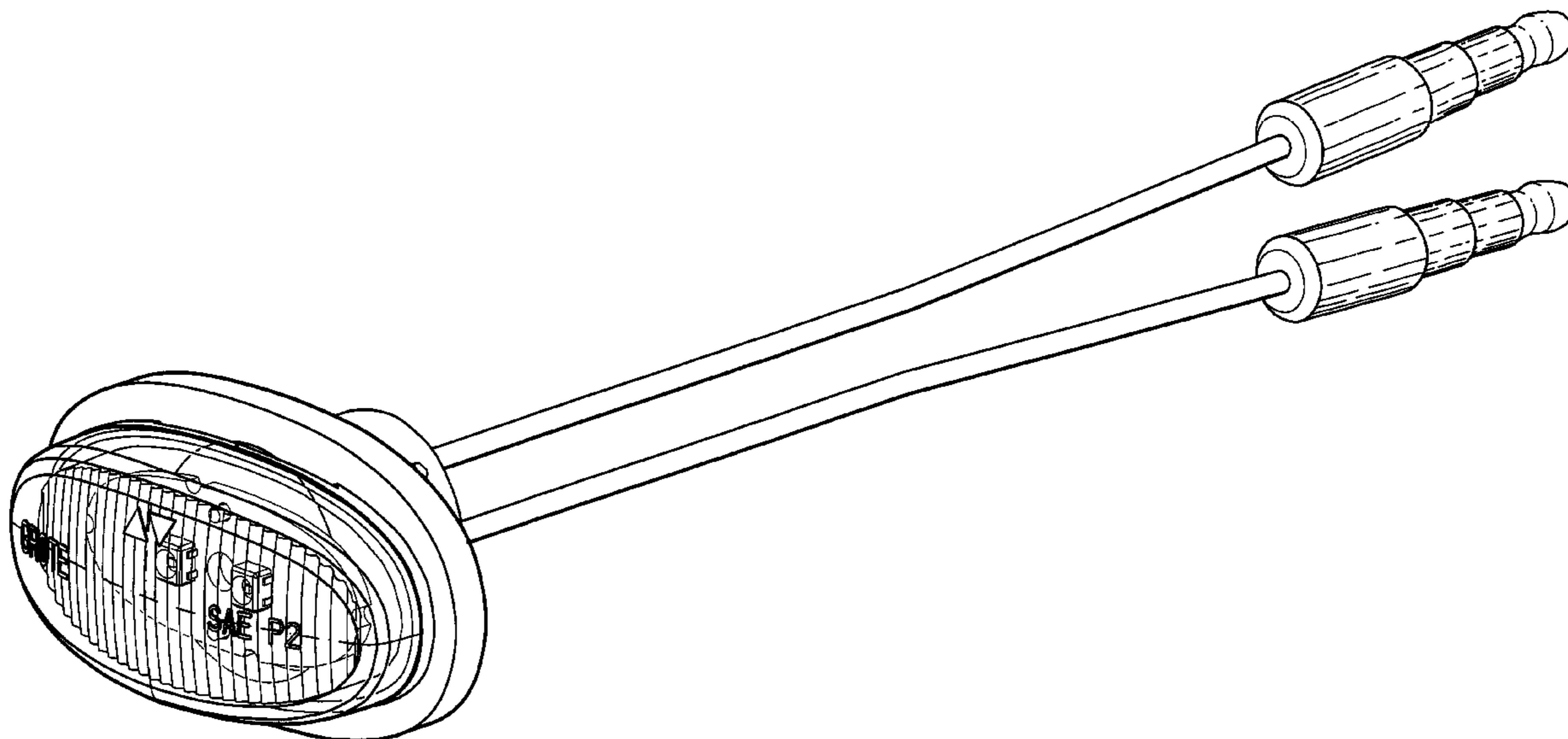
FIG. 11 is a second side elevational view of a second embodiment of our new oval sidemarker lamp design.

FIG. 12 is a bottom plan view of a second embodiment of our new oval sidemarker lamp design.

FIG. 13 is a first end elevational view of a second embodiment of our new oval sidemarker lamp design; and,

FIG. 14 is a second end elevational view of a second embodiment of our new oval sidemarker lamp design.

**1 Claim, 8 Drawing Sheets**



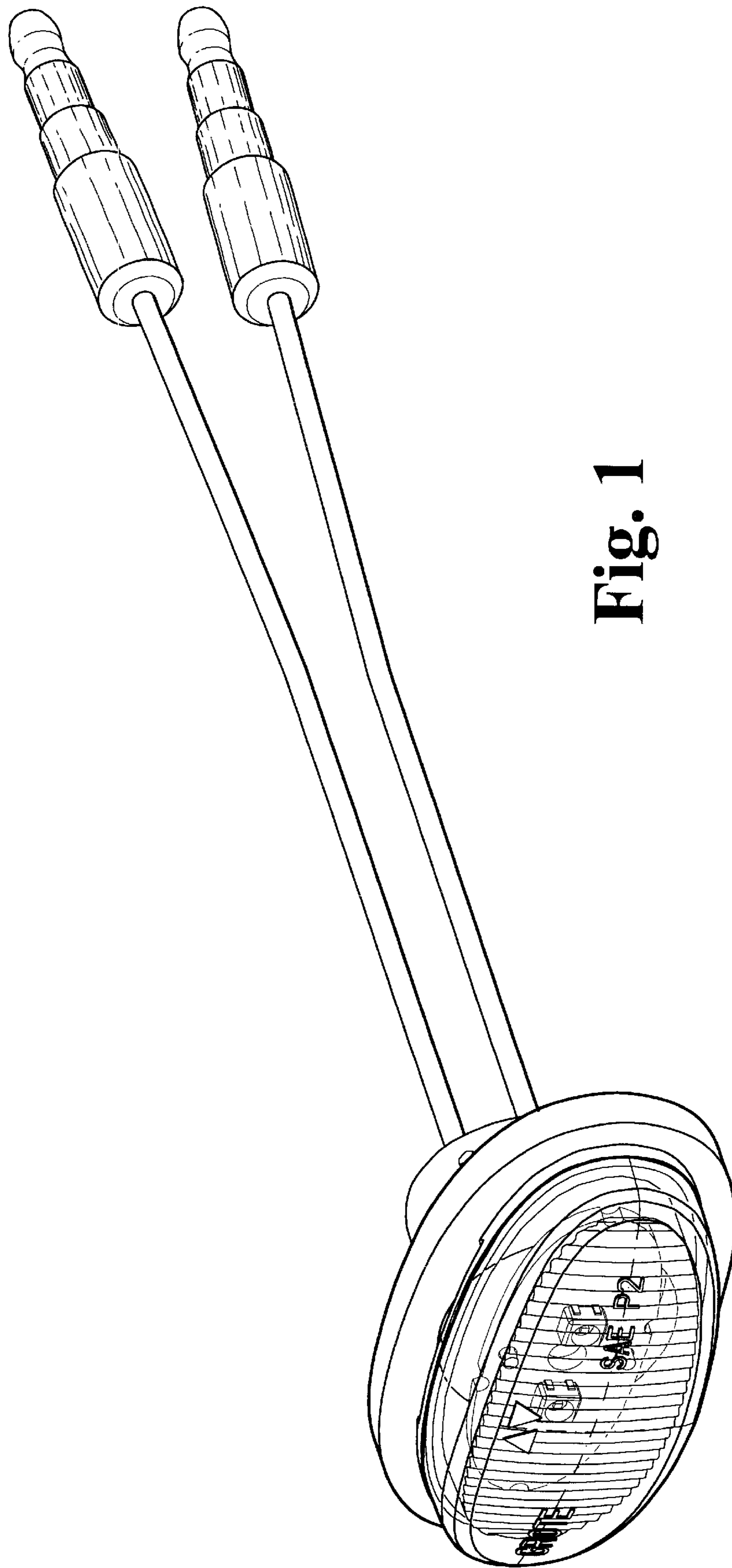
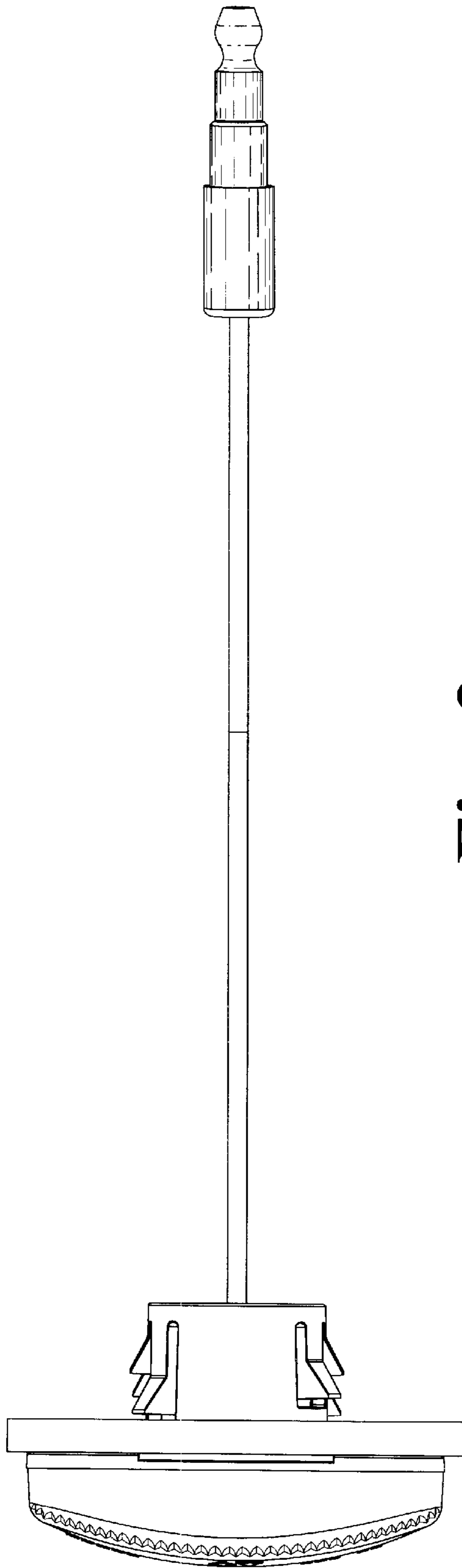
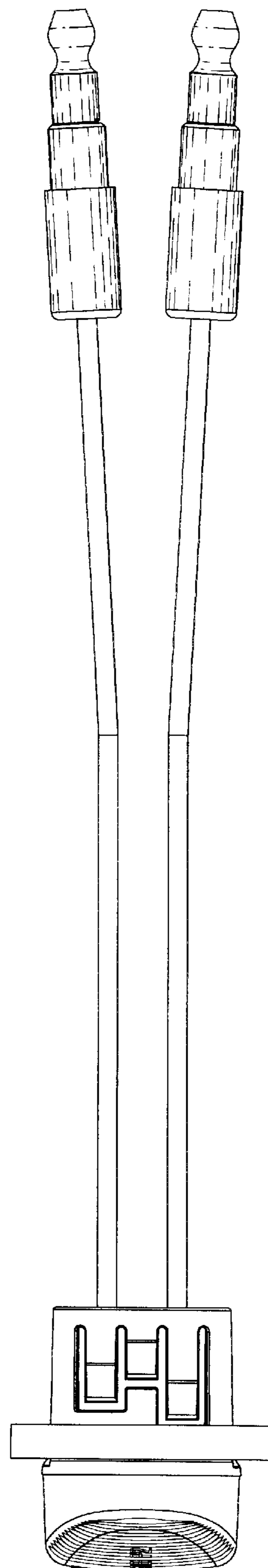


Fig. 1



**Fig. 2**



**Fig. 3**

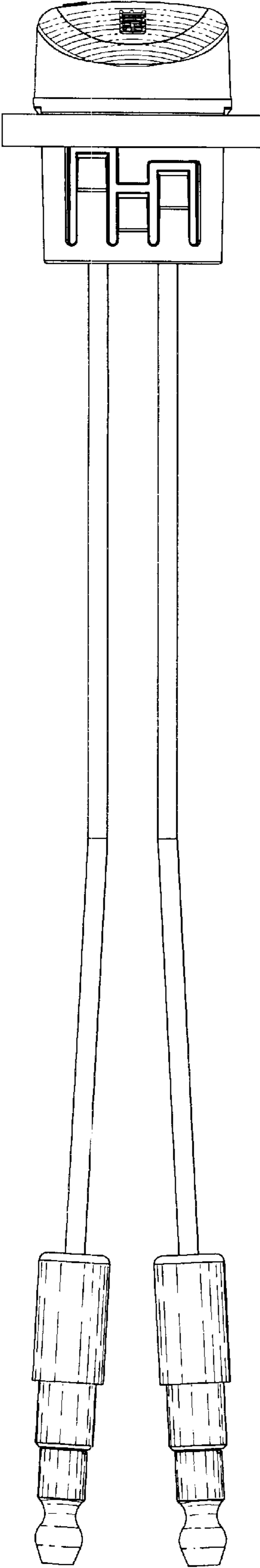


Fig. 4

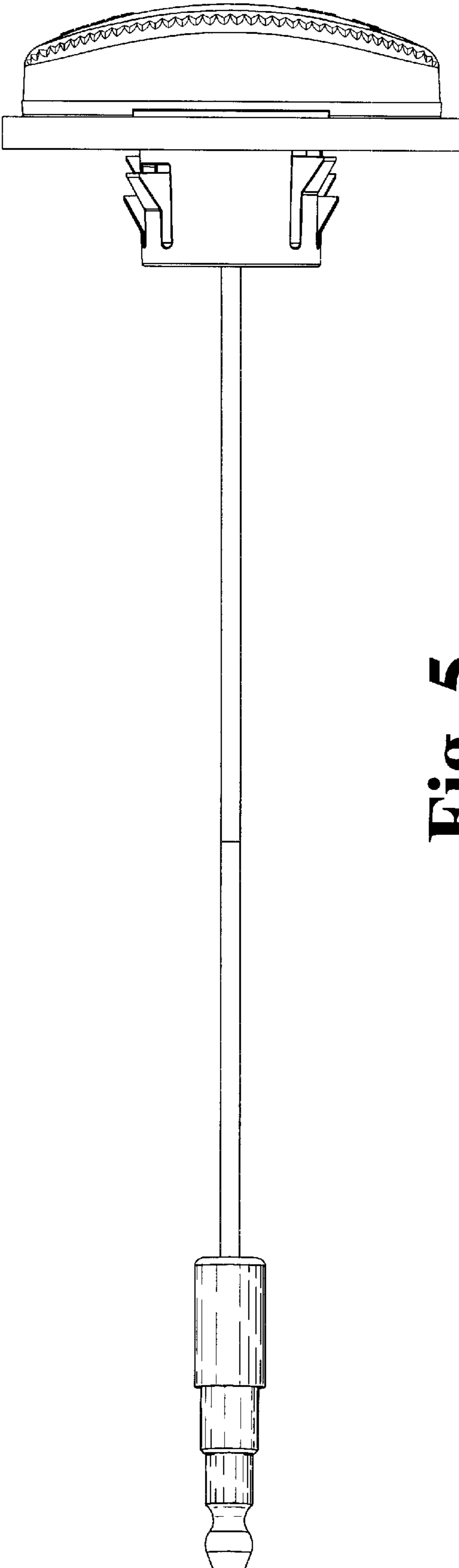
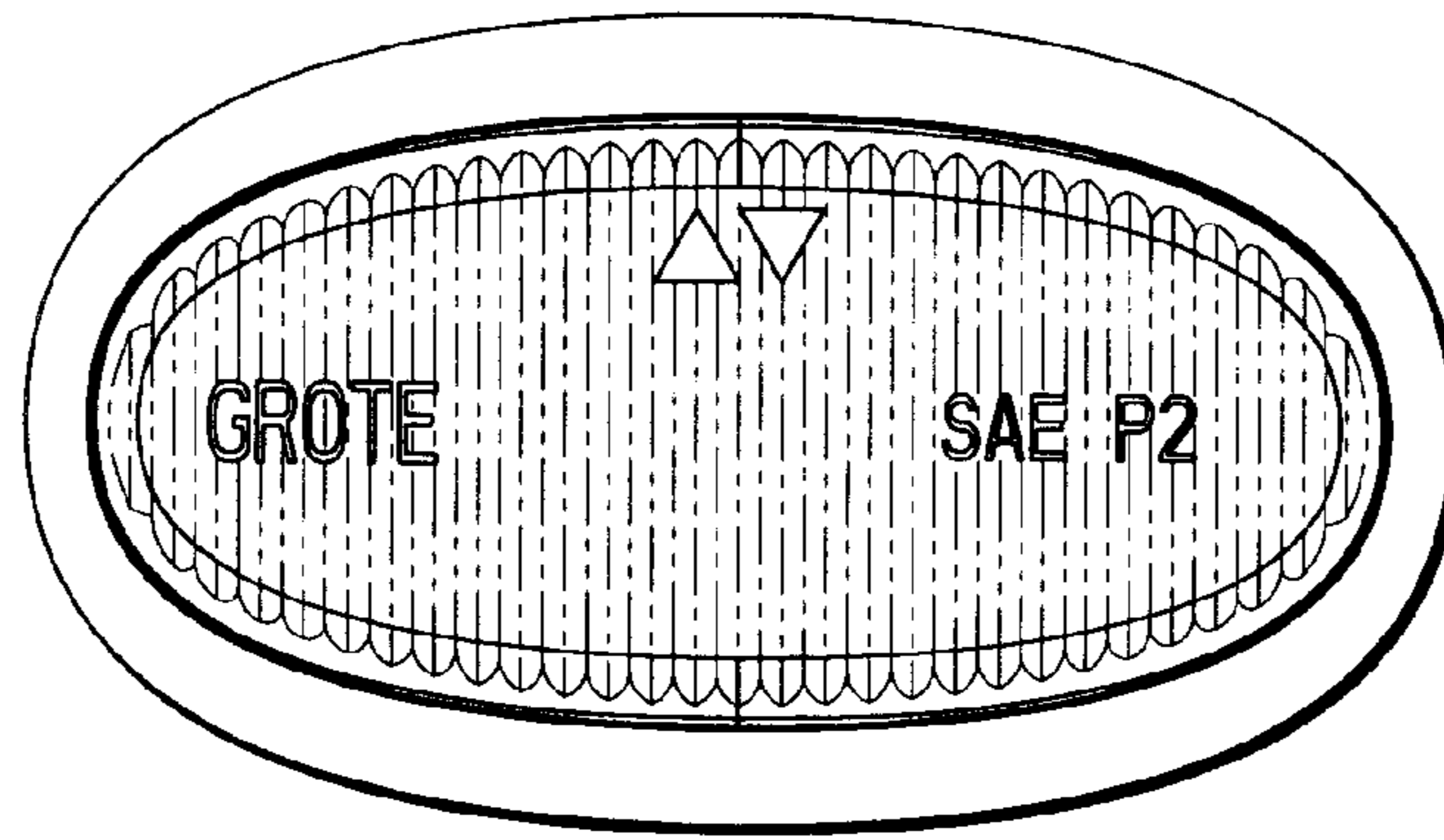
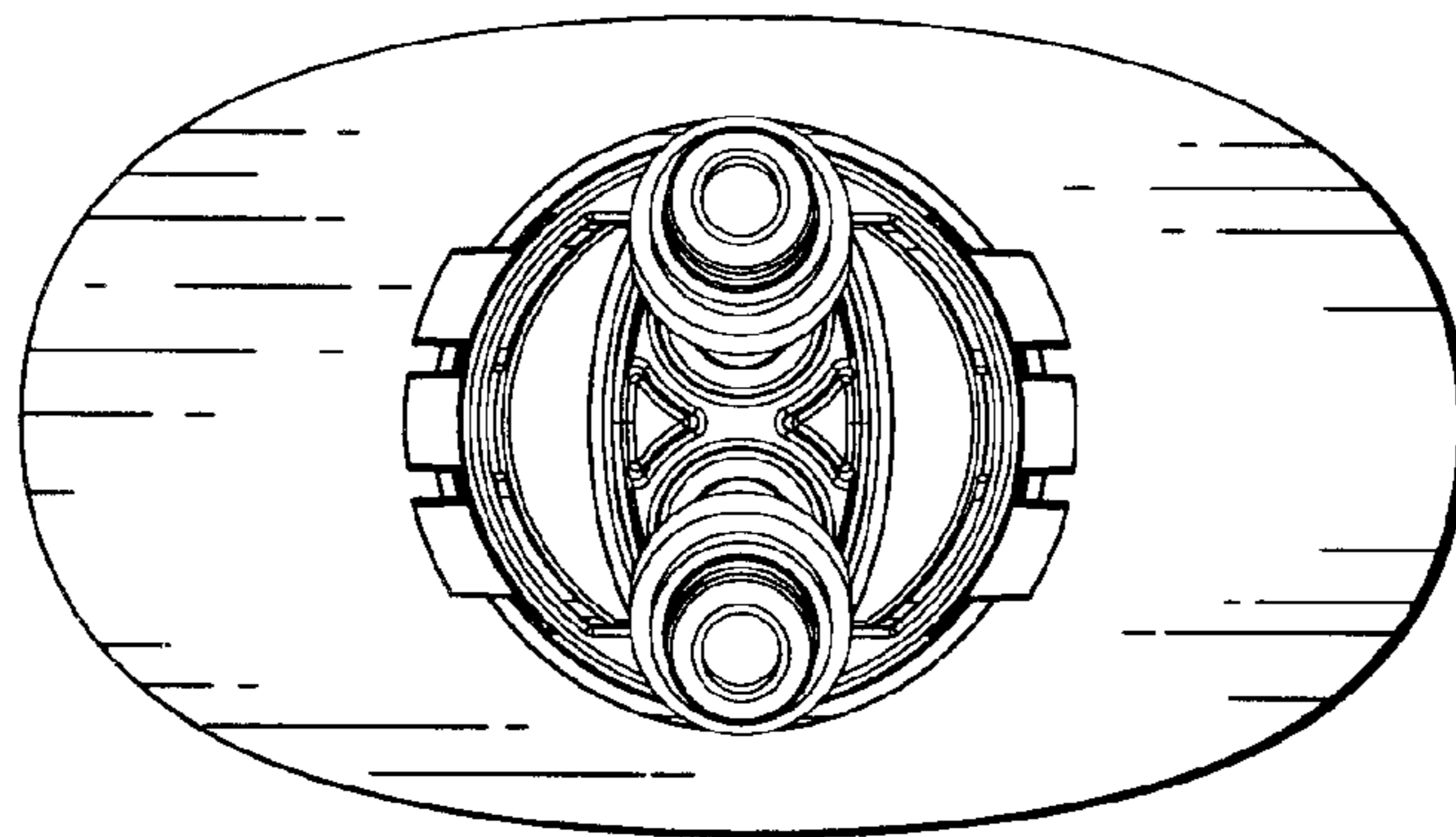


Fig. 5



**Fig. 6**



**Fig. 7**

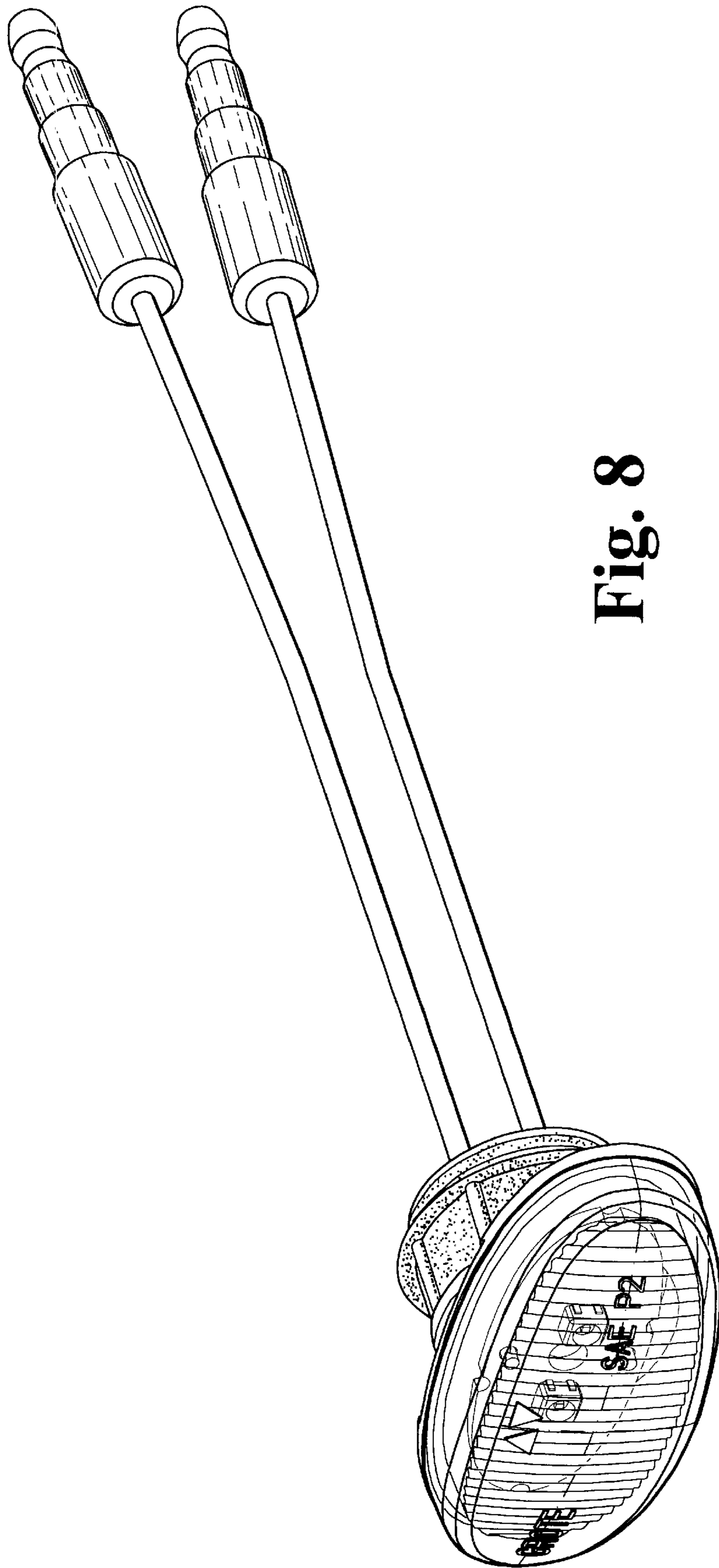
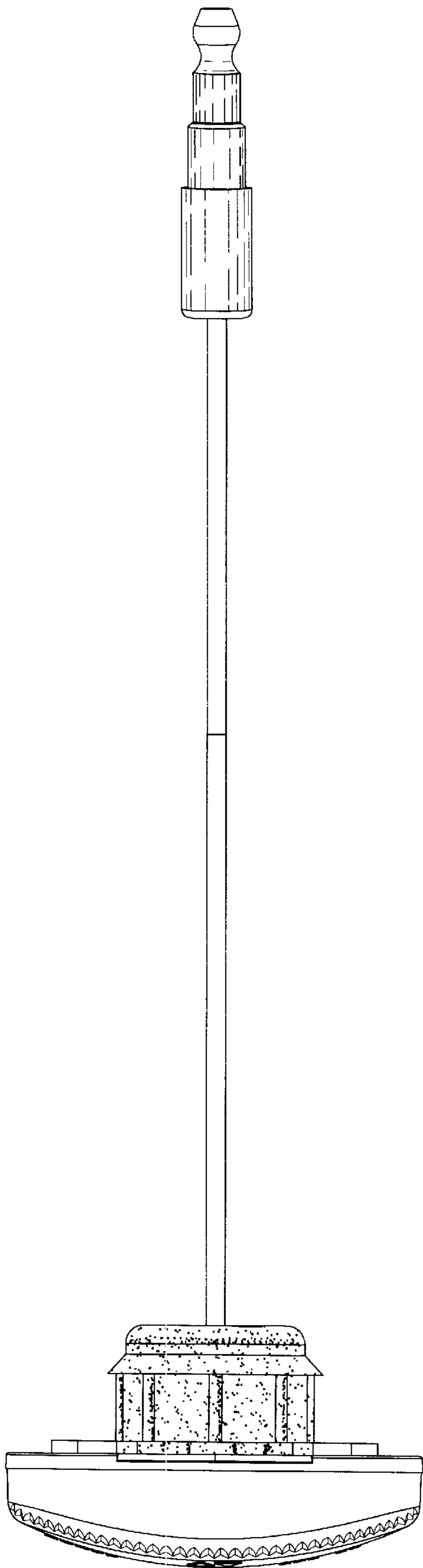
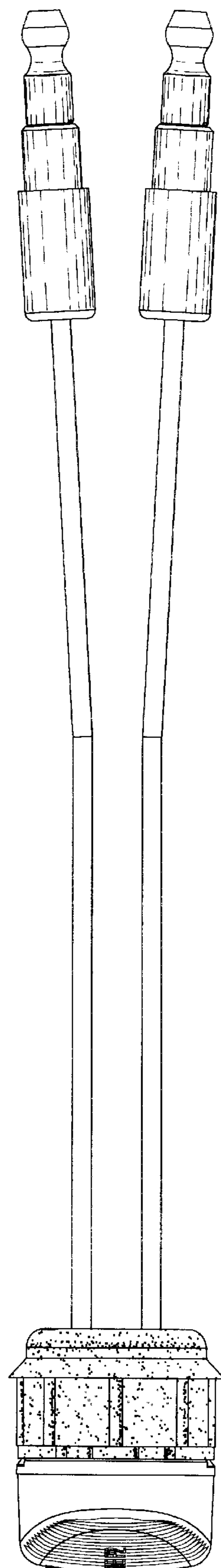


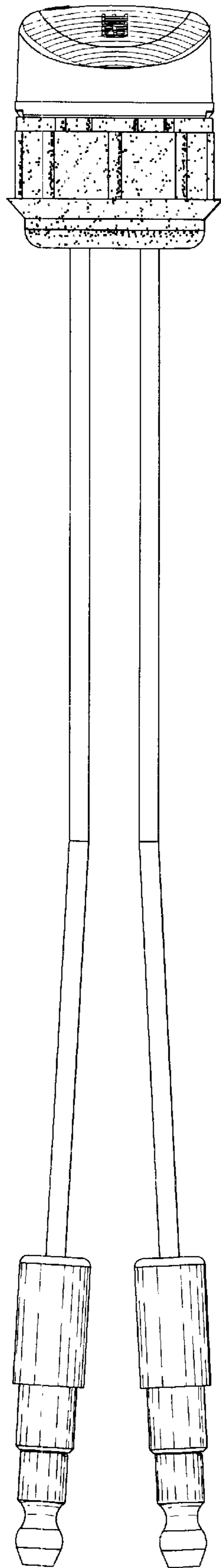
Fig. 8



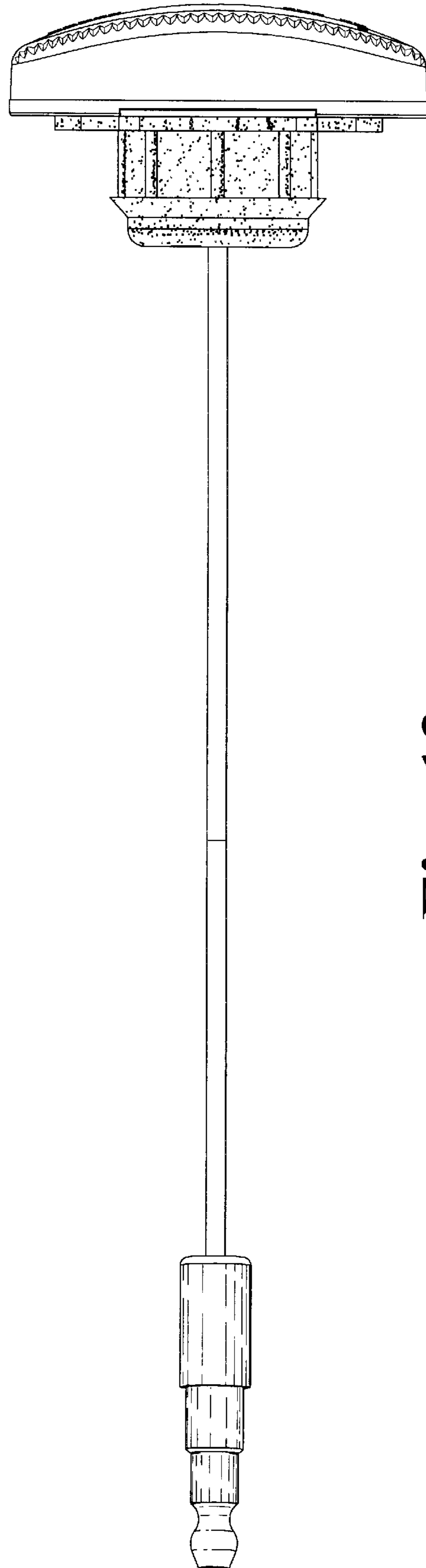
**Fig. 9**



**Fig. 10**

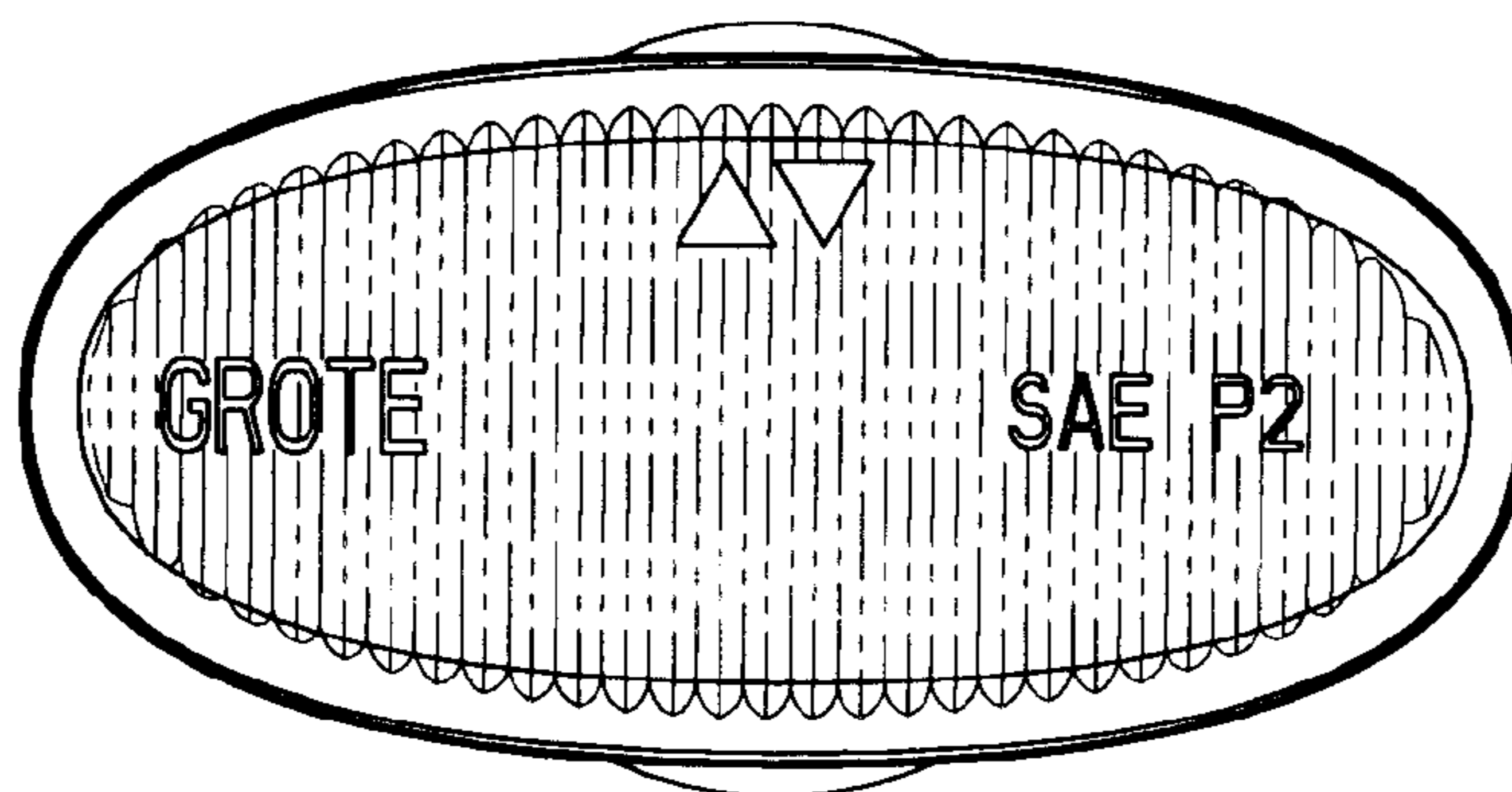


**Fig. 11**

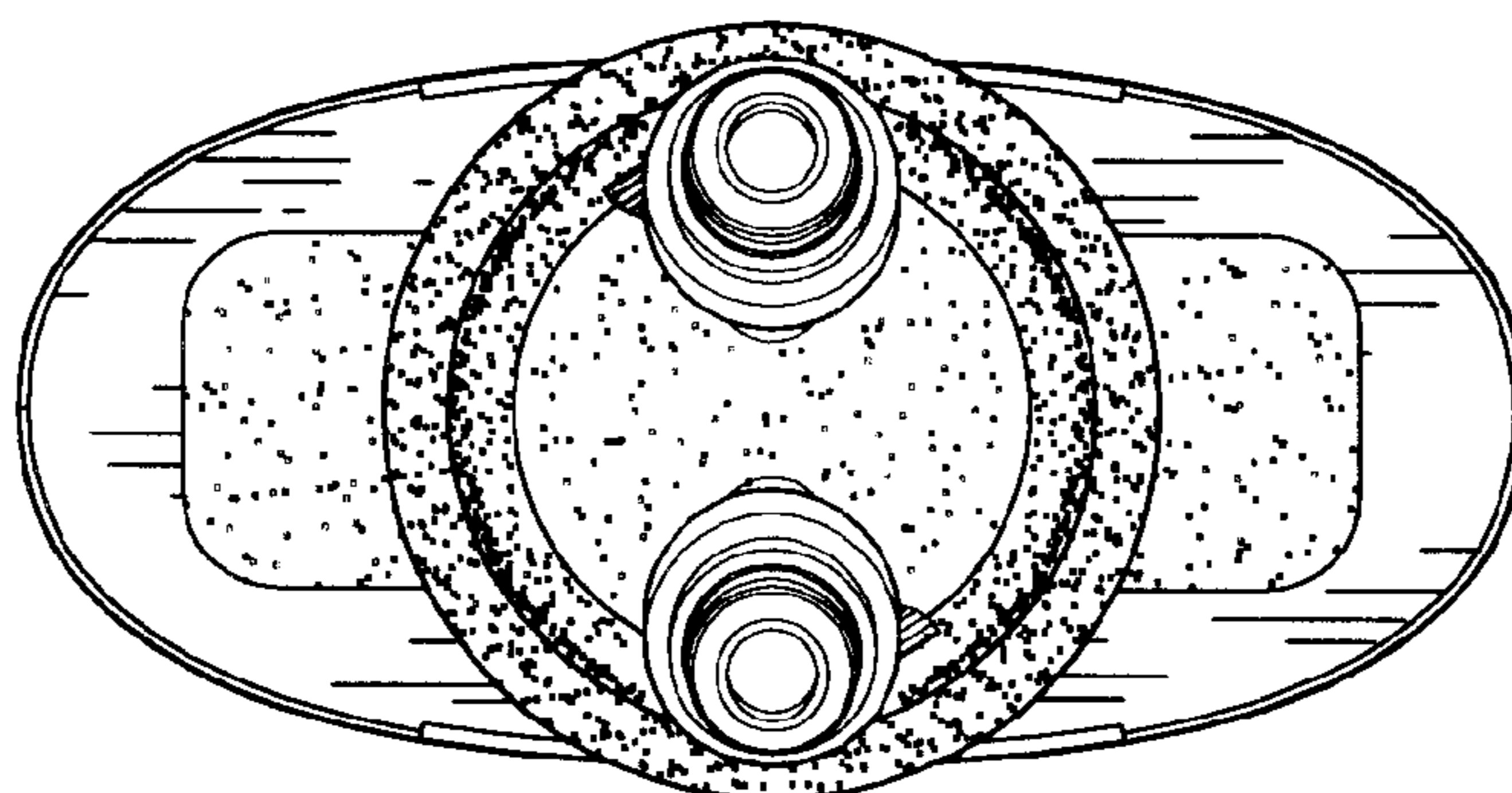


**Fig. 12**





**Fig. 13**



**Fig. 14**