



US00D532120S

(12) **United States Design Patent**  
**Holztrager**

(10) **Patent No.:** **US D532,120 S**

(45) **Date of Patent:** **\*\* Nov. 14, 2006**

(54) **SLATWALL SECTION**

(75) Inventor: **William J. Holztrager**, Bristol, TN  
(US)

(73) Assignee: **Showall, Inc.**, Chilhowie, VA (US)

(\*\*) Term: **14 Years**

(21) Appl. No.: **29/234,903**

(22) Filed: **Jul. 26, 2005**

**Related U.S. Application Data**

(62) Division of application No. 10/685,483, filed on Oct. 16, 2003.

(51) **LOC (8) Cl.** ..... **25-01**

(52) **U.S. Cl.** ..... **D25/123**

(58) **Field of Classification Search** ..... D25/138,  
D25/58, 119, 123; 211/94.01, 94.02; 52/36.4,  
52/36.5

See application file for complete search history.

(56) **References Cited**

**U.S. PATENT DOCUMENTS**

5,485,934 A 1/1996 Holztrager  
D400,270 S \* 10/1998 Current ..... D25/123

5,921,044 A 7/1999 Holztrager  
D414,567 S \* 9/1999 Burt et al. .... D25/123  
5,983,574 A 11/1999 Holztrager  
6,068,135 A 5/2000 Holztrager  
6,134,846 A \* 10/2000 Lamb ..... 52/36.5  
6,185,899 B1 \* 2/2001 De Niet ..... 52/762  
D471,993 S 3/2003 Holztrager  
D473,664 S \* 4/2003 Perkins et al. .... D25/138

**FOREIGN PATENT DOCUMENTS**

EP 0547996 6/1996

\* cited by examiner

*Primary Examiner*—Doris Clark

(74) *Attorney, Agent, or Firm*—Shlesinger, Arkwright & Garvey LLP

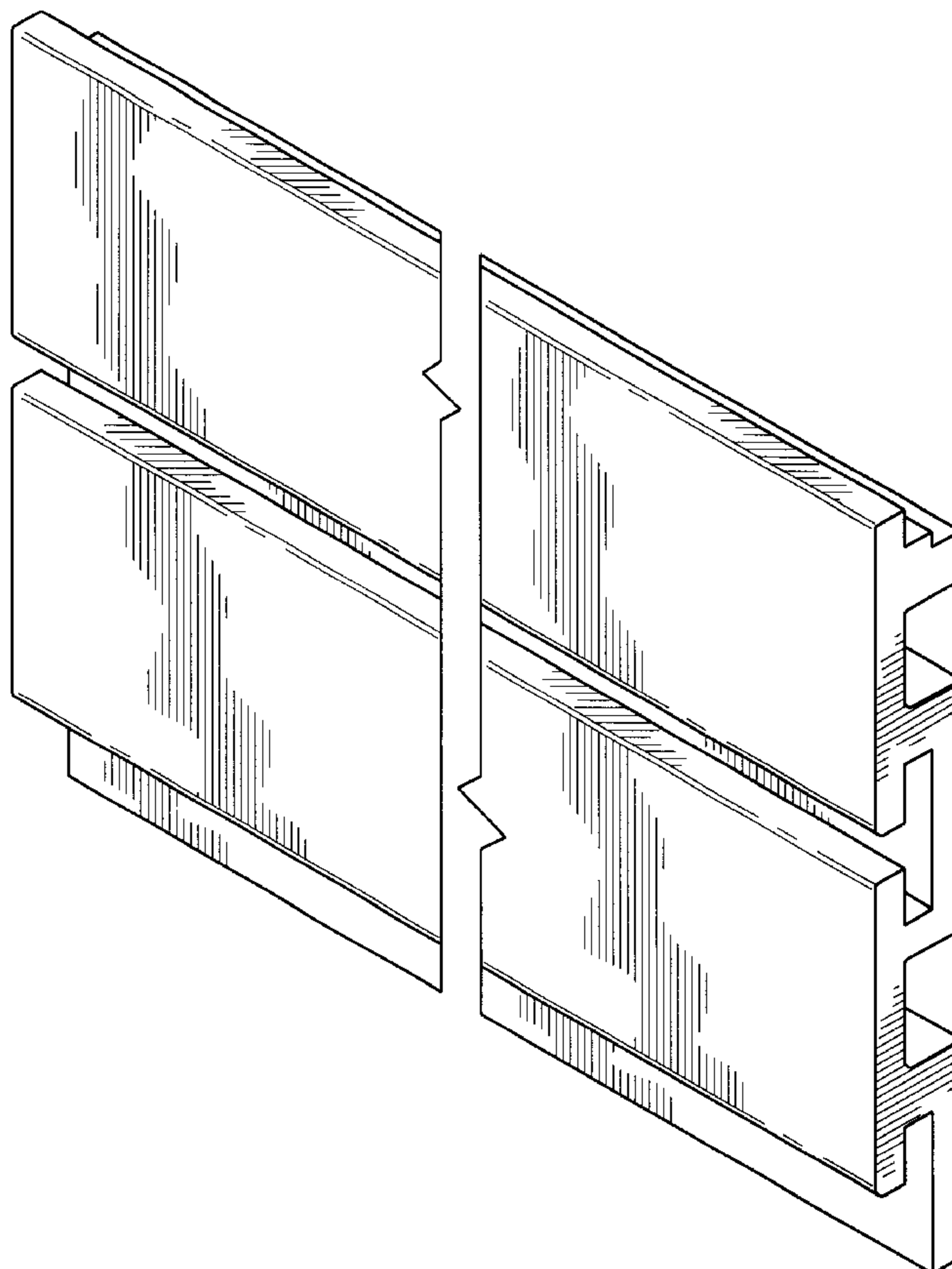
(57) **CLAIM**

The ornamental design for a slatwall section, as shown and described.

**DESCRIPTION**

FIG. 1 is a top and front perspective view of a slatwall section showing my new design; FIG. 2 is a right end view of FIG. 1; and, FIG. 3 is a top plan view of FIG. 1. No claim is made to the rear side of FIG. 1.

**1 Claim, 1 Drawing Sheet**



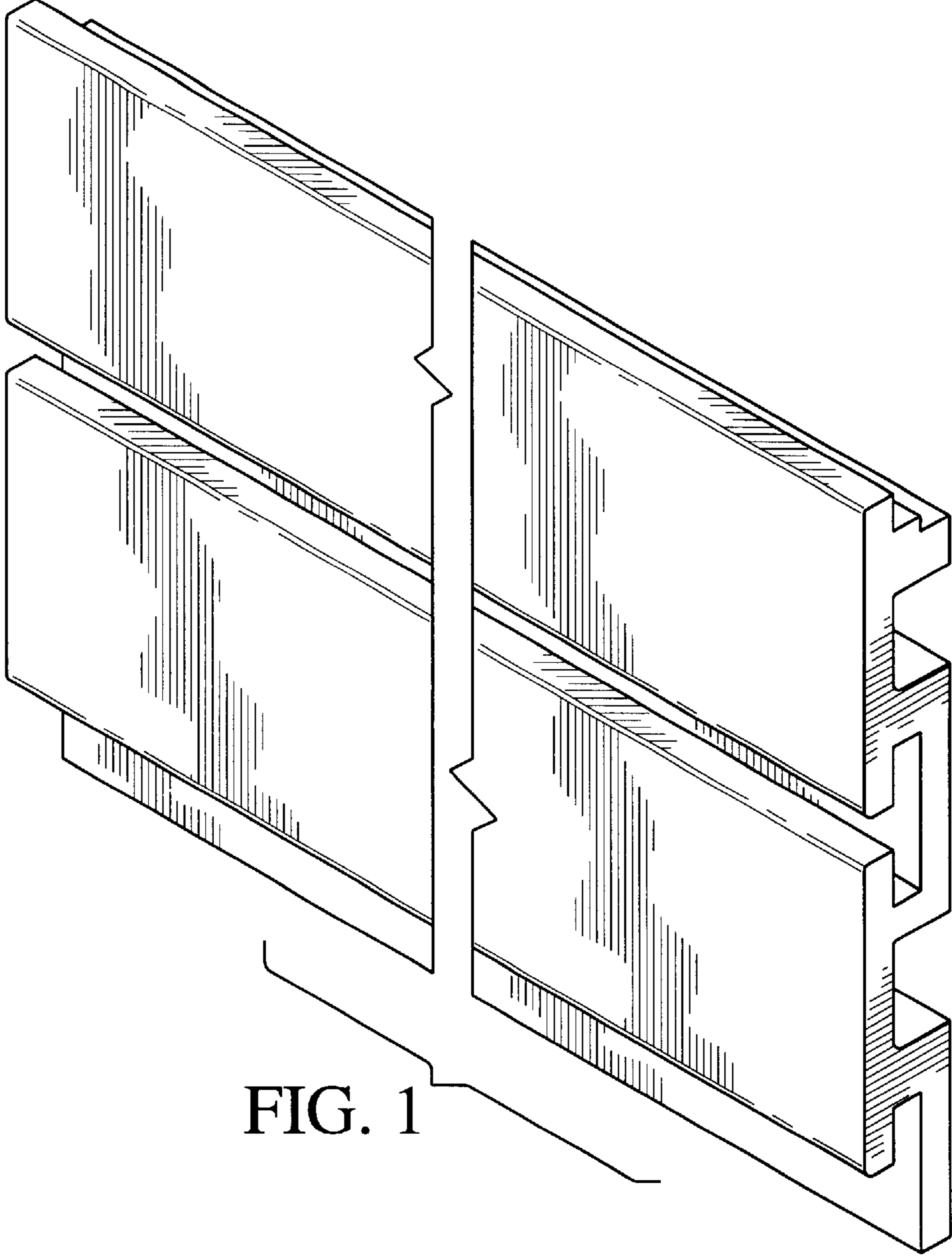


FIG. 1

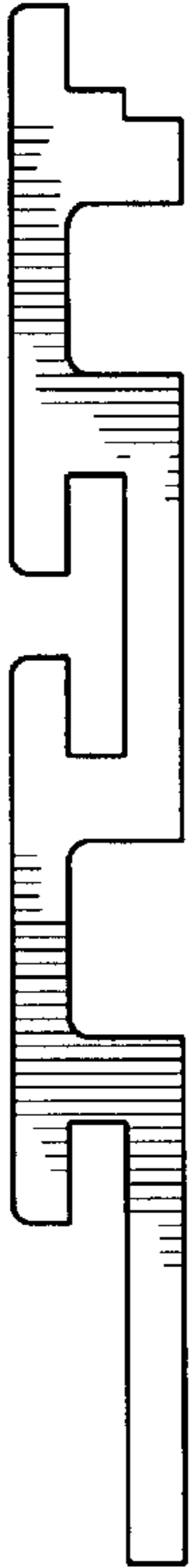


FIG. 2



FIG. 3

