



US00D532119S

(12) **United States Design Patent**
Hammer

(10) **Patent No.:** **US D532,119 S**

(45) **Date of Patent:** **** Nov. 14, 2006**

(54) **WALL BLOCK**

2003/0074856 A1 4/2003 Hammer

(75) Inventor: **James Hammer**, Fircrest, WA (US)

OTHER PUBLICATIONS

(73) Assignee: **Westblock Systems, Inc.**, Salem, OR (US)

Drawings of BarrierStone blocks, on sale prior to Nov. 17, 2003 (2 pages).

(**) Term: **14 Years**

Primary Examiner—Robert A. Delehanty

(74) *Attorney, Agent, or Firm*—Klarquist Sparkman LLP

(21) Appl. No.: **29/234,369**

(57) **CLAIM**

(22) Filed: **Jul. 14, 2005**

I claim the ornamental design for a wall block, as shown and described.

Related U.S. Application Data

DESCRIPTION

(62) Division of application No. 29/217,656, filed on Nov. 18, 2004, now Pat. No. Des. 514,233.

(51) **LOC (8) Cl.** **25-01**

FIG. 1 is a perspective view of a wall block, according to one embodiment, as viewed from the front, top, and one side of the block;

(52) **U.S. Cl.** **D25/118**

FIG. 2 is a top plan view thereof;

(58) **Field of Classification Search** D25/112–118, D25/164, 151; D21/483–486, 499–505; 405/15–16, 405/284, 286; 404/34, 37–42, 44–45; 52/102, 52/503–505, 596–609, 612

FIG. 3 is a front elevation view of the front of the block of FIG. 1, the back of the block side being a mirror image thereof;

See application file for complete search history.

FIG. 4 is a bottom plan thereof;

FIG. 5 is a side elevation view of one side of the block of FIG. 1 ;

(56) **References Cited**

U.S. PATENT DOCUMENTS

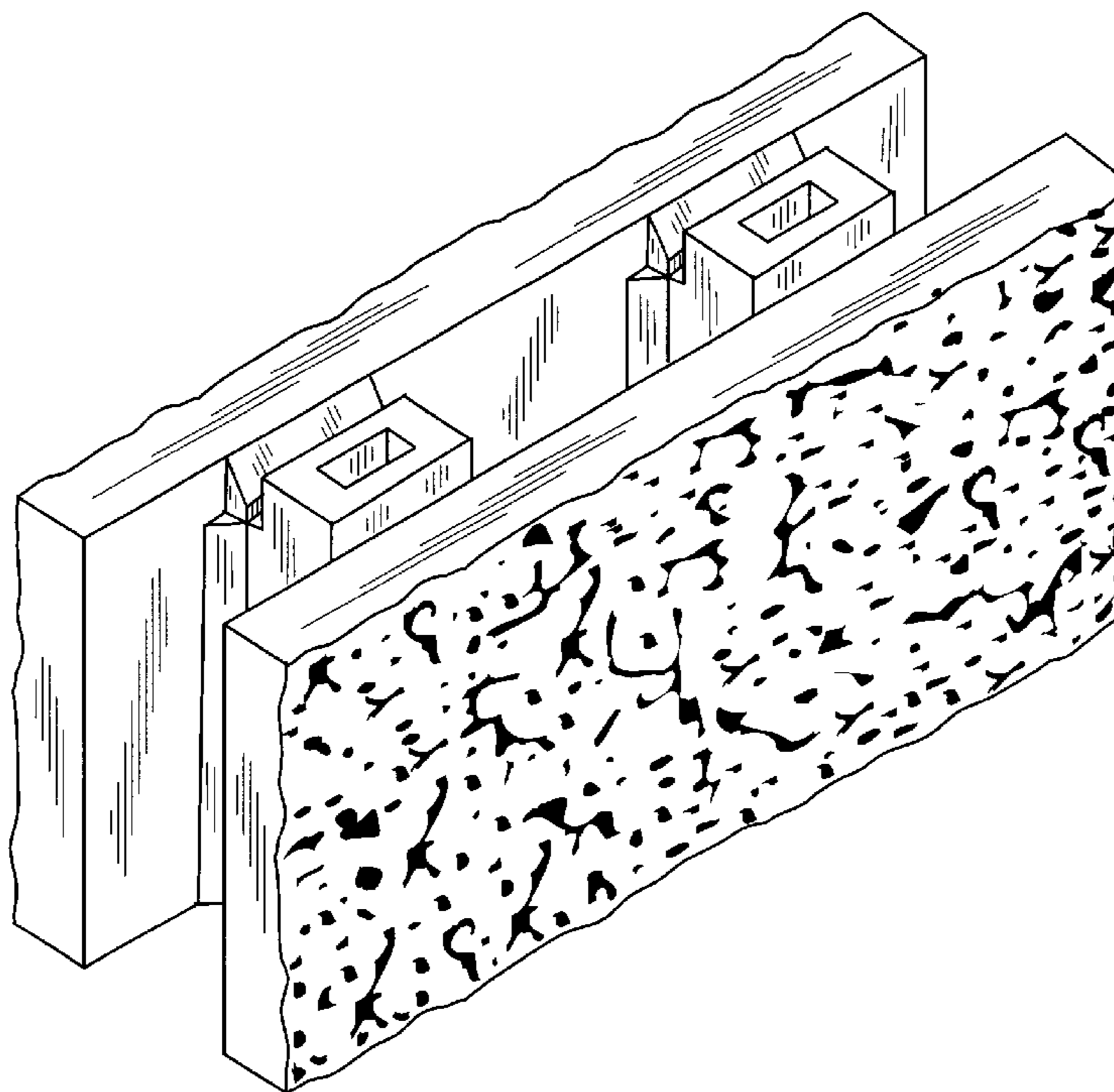
2,703,487 A	3/1955	Ossoinack
4,498,266 A	2/1985	Perreton
D333,354 S	2/1993	Adams
D333,355 S	2/1993	Adams
D476,749 S	7/2003	Cerrato
6,862,856 B1	3/2005	Turgeon-Schramm et al.

FIG. 6 is a side elevation view of the opposite side of the block of FIG. 1 ;

FIG. 7 is a cross-sectional thereof taken along line 7—7 of FIG. 2; and

FIG. 8 is a cross-sectional view thereof taken along line 8—8 of FIG. 2 .

1 Claim, 3 Drawing Sheets



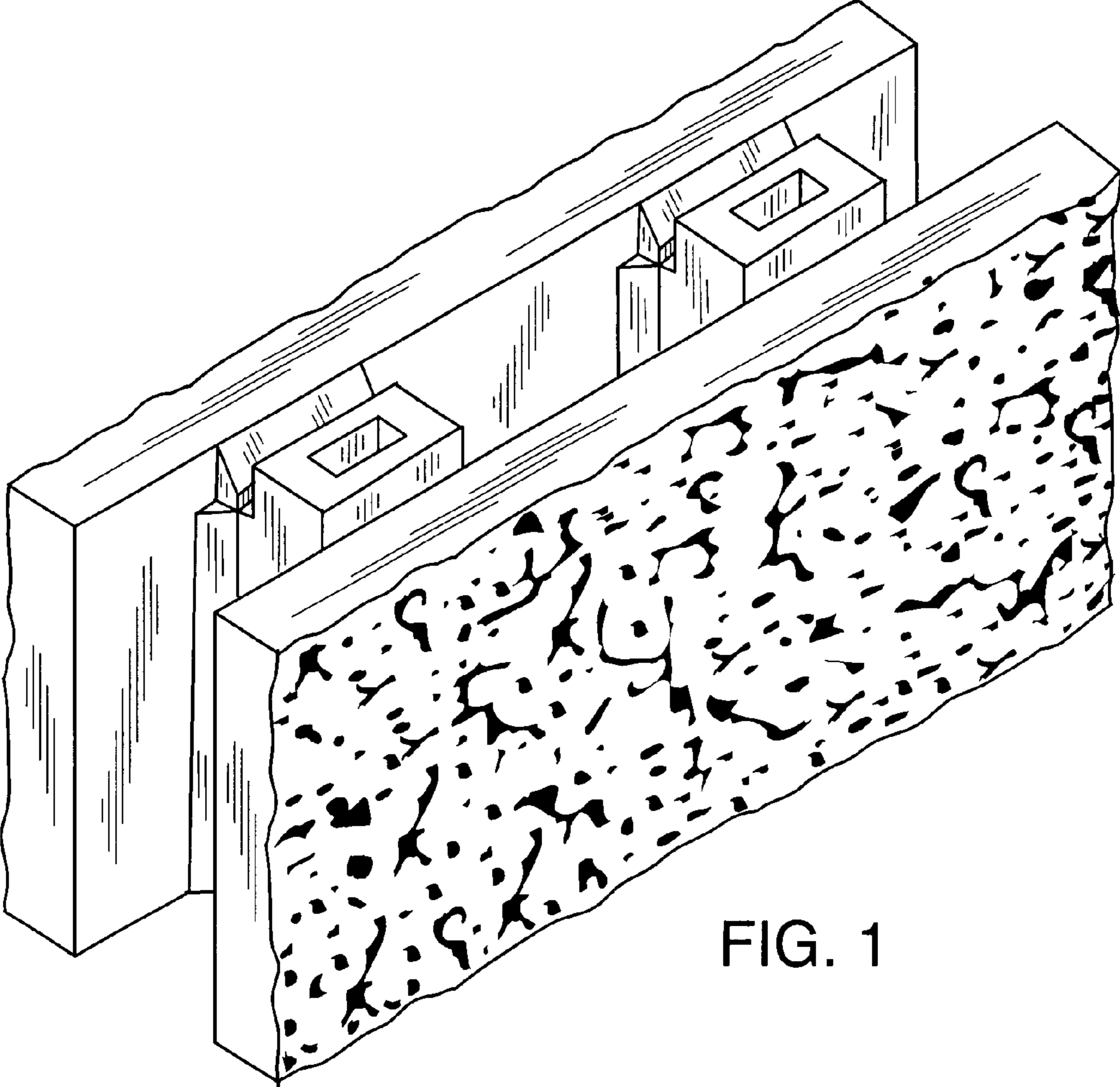


FIG. 1

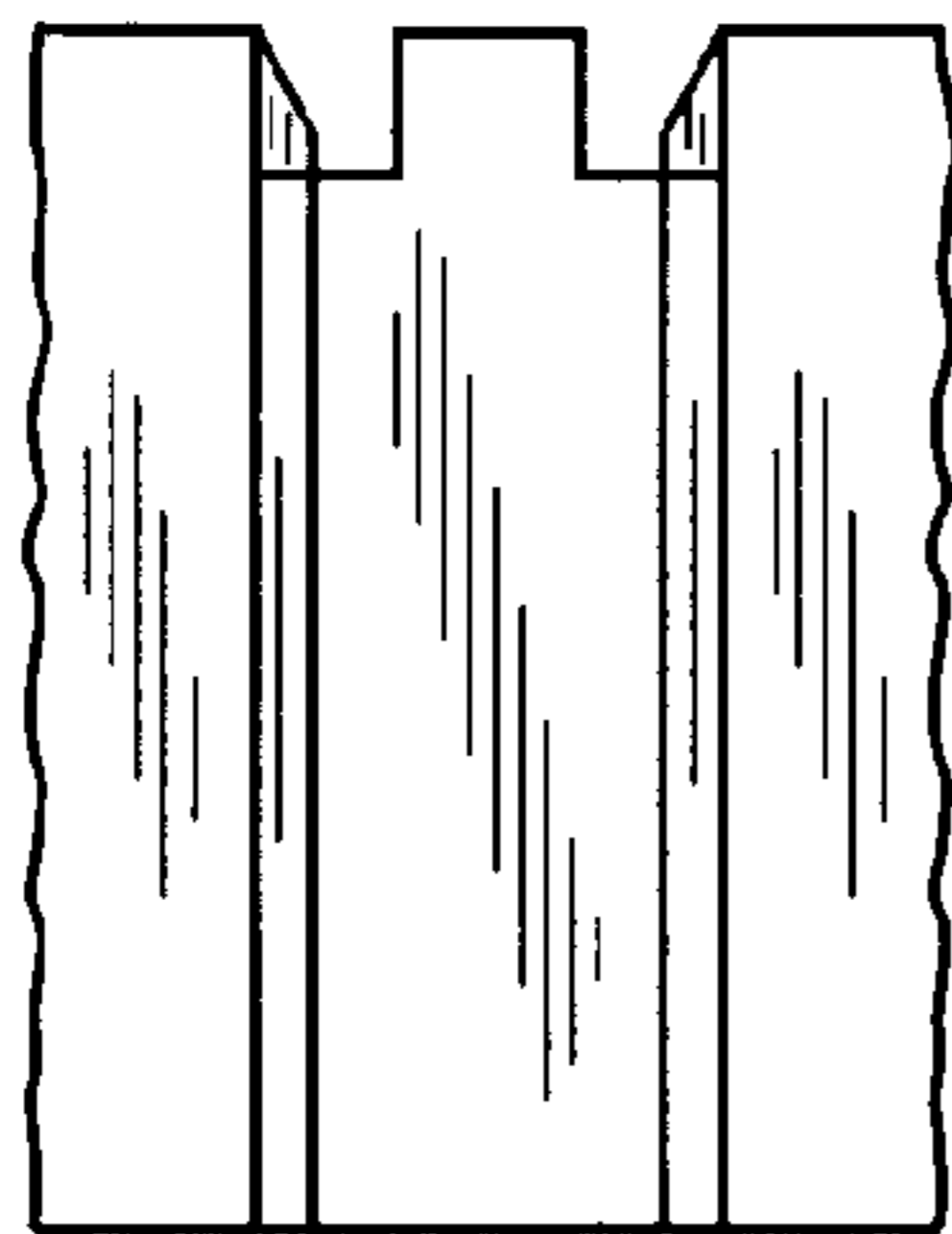
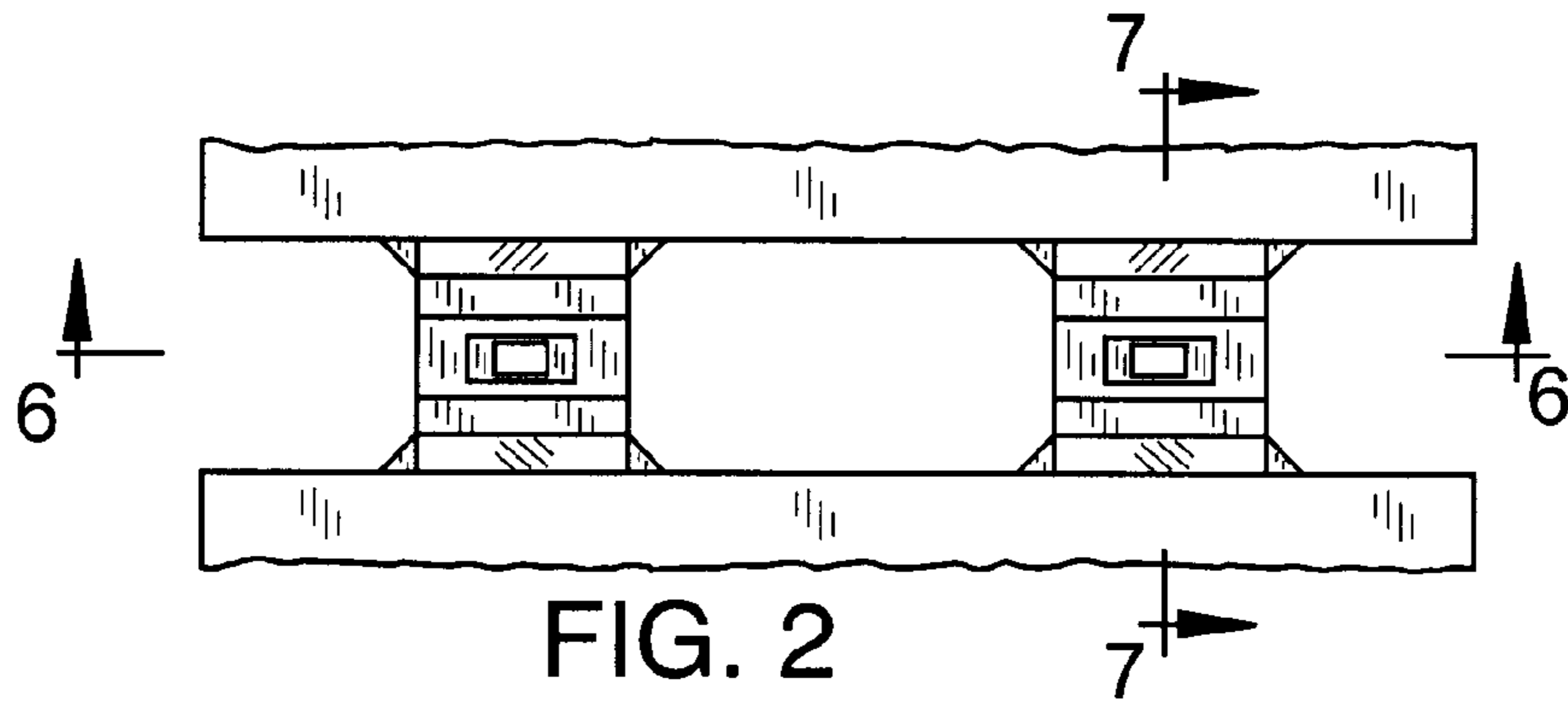


FIG. 3

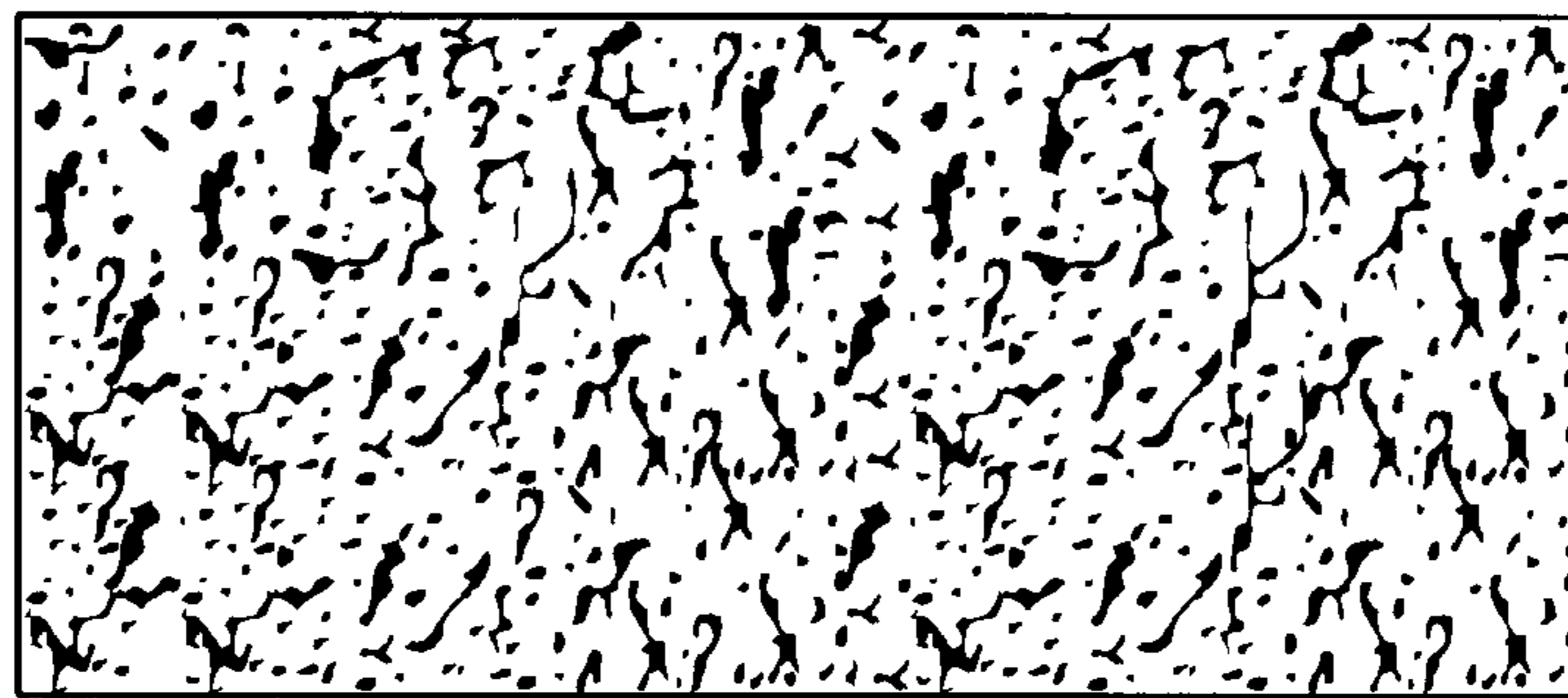


FIG. 4

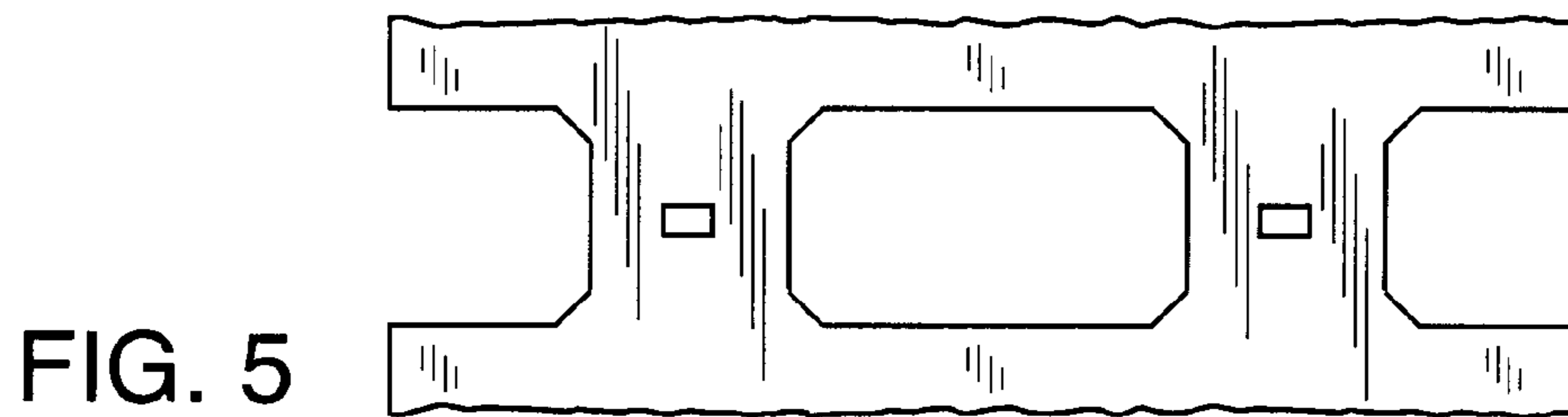


FIG. 5

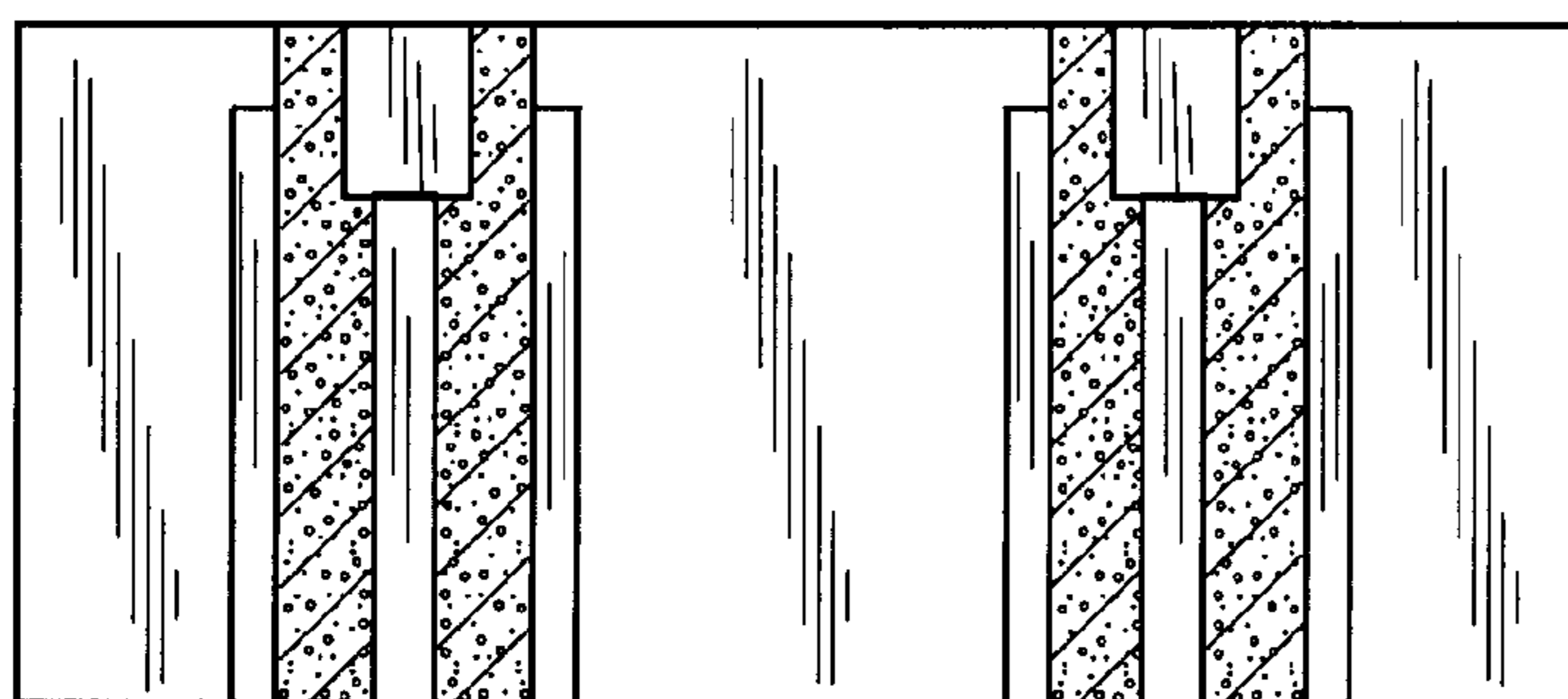


FIG. 6

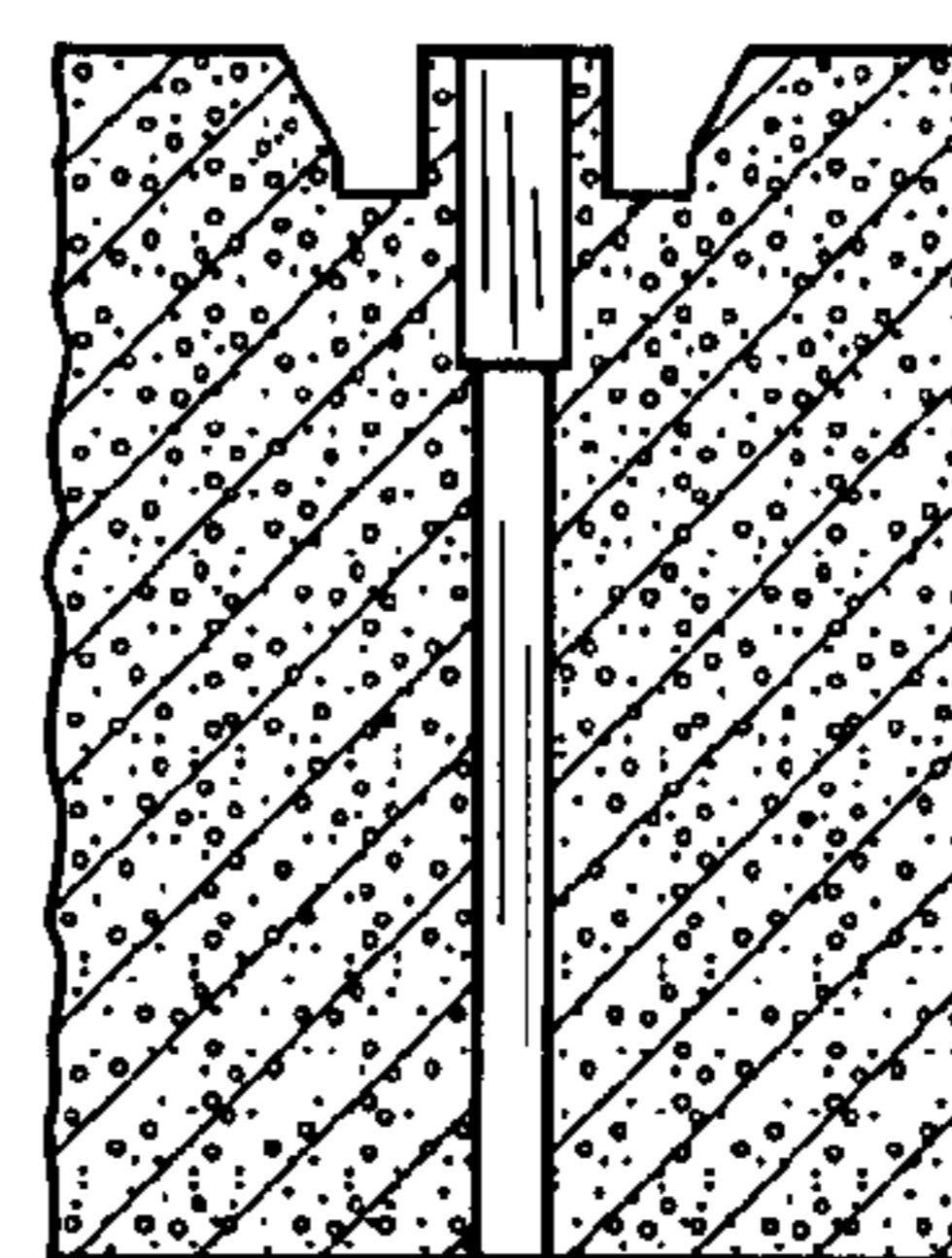


FIG. 7

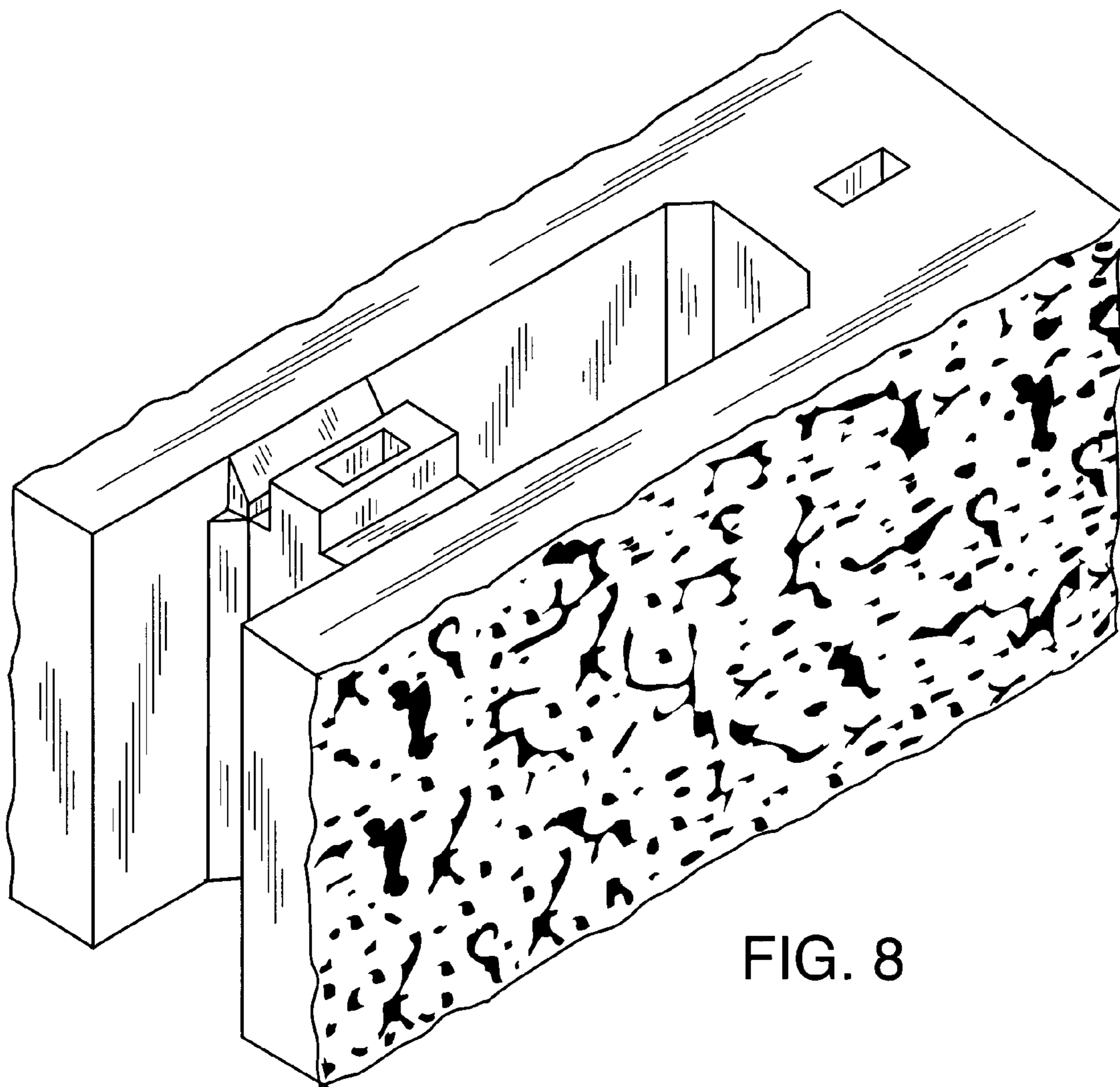


FIG. 8

UNITED STATES PATENT AND TRADEMARK OFFICE
CERTIFICATE OF CORRECTION

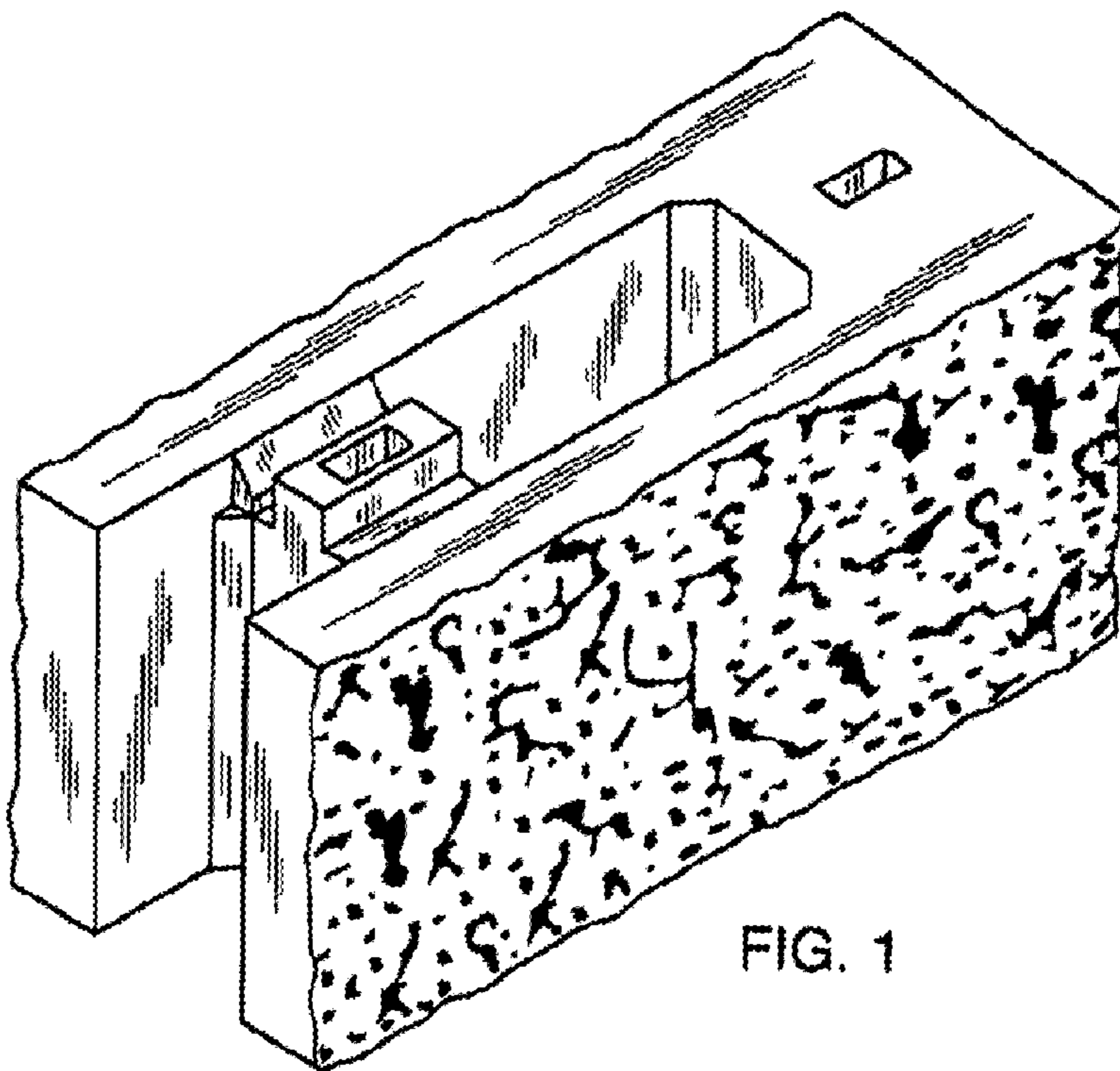
PATENT NO. : Des. 532,119 S
APPLICATION NO. : 29/234369
DATED : November 14, 2006
INVENTOR(S) : James Hammer

Page 1 of 4

It is certified that error appears in the above-identified patent and that said Letters Patent is hereby corrected as shown below:

The title page showing an illustrative figure should be deleted and substitute therefor the attached title page.

The drawings of the issued patent should be replaced with the following drawings:
Delete sheet 1 of drawing and replace with this figure



(12) **United States Design Patent** (10) **Patent No.:** **US D532,119 S**
Hammer (45) **Date of Patent:** **** Nov. 14, 2006**

(54) **WALL BLOCK**

2003/0074856 A1 4/2003 Hammer

(75) **Inventor:** James Hammer, Fircrest, WA (US)

OTHER PUBLICATIONS

(73) **Assignee:** Westblock Systems, Inc., Salem, OR (US)

Drawings of BarrierStone blocks, on sale prior to Nov. 17, 2003 (2 pages).

(**) **Term:** 14 Years

Primary Examiner—Robert A. Delebanty
 (74) *Attorney, Agent, or Firm*—Klarquist Sparkman LLP

(21) **Appi. No.:** 29/234,369

(57) **CLAIM**

(22) **Filed:** Jul. 14, 2005

I claim the ornamental design for a wall block, as shown and described.

Related U.S. Application Data

DESCRIPTION

(62) Division of application No. 29/217,636, filed on Nov. 18, 2004, now Pat. No. Des. 514,233.

FIG. 1 is a perspective view of a wall block, according to one embodiment, as viewed from the front, top, and one side of the block;

(51) **LOC (8) CL** 25-01

FIG. 2 is a top plan view thereof;

(52) **U.S. CL** D25/118

FIG. 3 is a front elevation view of the front of the block of FIG. 1, the back of the block side being a mirror image thereof;

(58) **Field of Classification Search** D25/112-118, D25/164, 151; D21/483-486, 499-505; 405/15-16, 405/284, 286; 404/34, 37-42, 44-45; 52/102, 52/503-505, 596-609, 612

FIG. 4 is a bottom plan thereof;

See application file for complete search history.

FIG. 5 is a side elevation view of one side of the block of FIG. 1;

(56) **References Cited**

U.S. PATENT DOCUMENTS

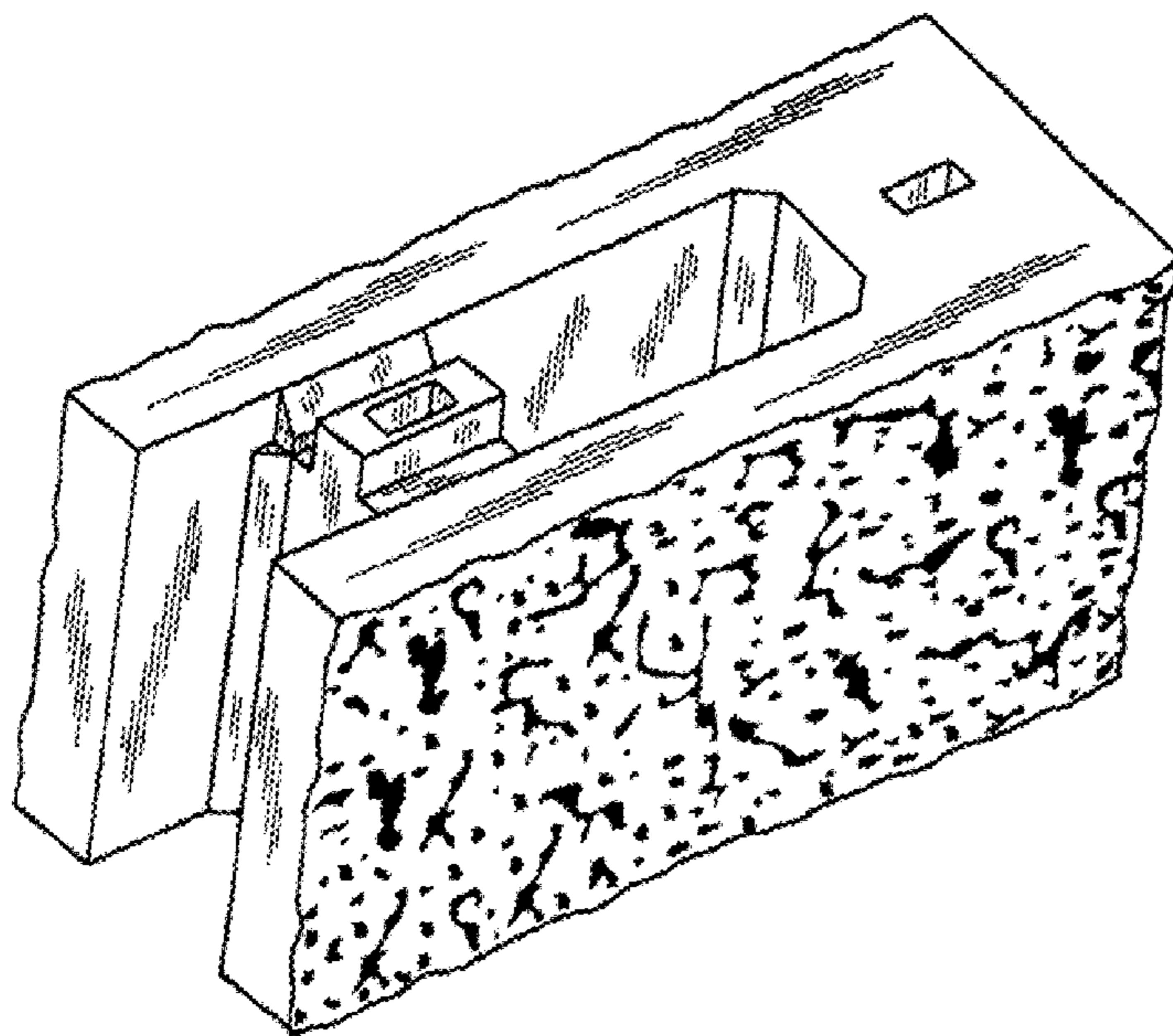
2,703,487 A	3/1955	Casoinack
4,498,266 A	2/1985	Perreton
D333,354 S	2/1993	Adams
D333,355 S	2/1993	Adams
D476,749 S	7/2003	Cerrato
6,862,856 B1	3/2005	Turgeon-Schramm et al.

FIG. 6 is a side elevation view of the opposite side of the block of FIG. 1;

FIG. 7 is a cross-sectional thereof taken along line 7-7 of FIG. 2; and

FIG. 8 is a cross-sectional view thereof taken along line 8-8 of FIG. 2.

1 Claim, 3 Drawing Sheets



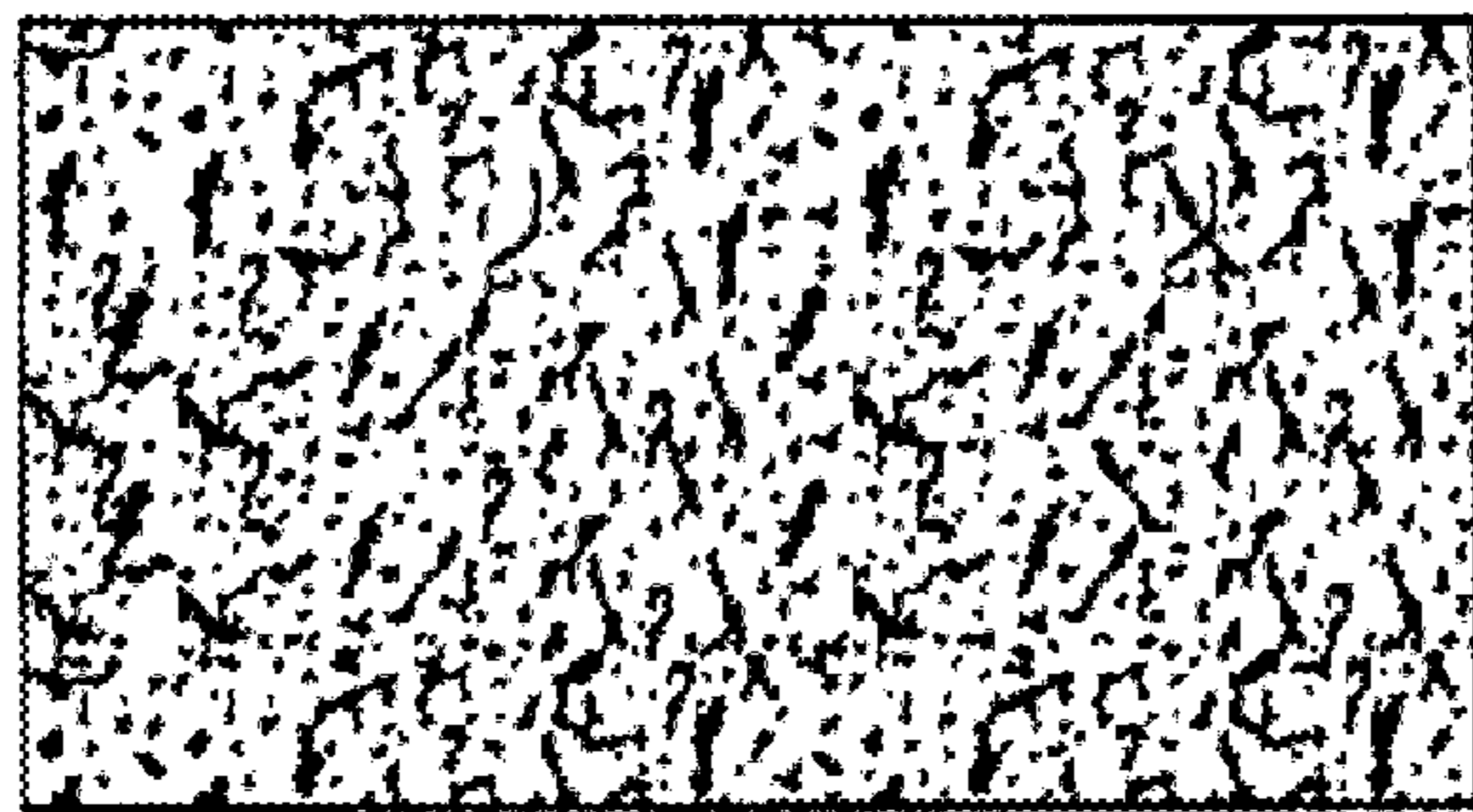
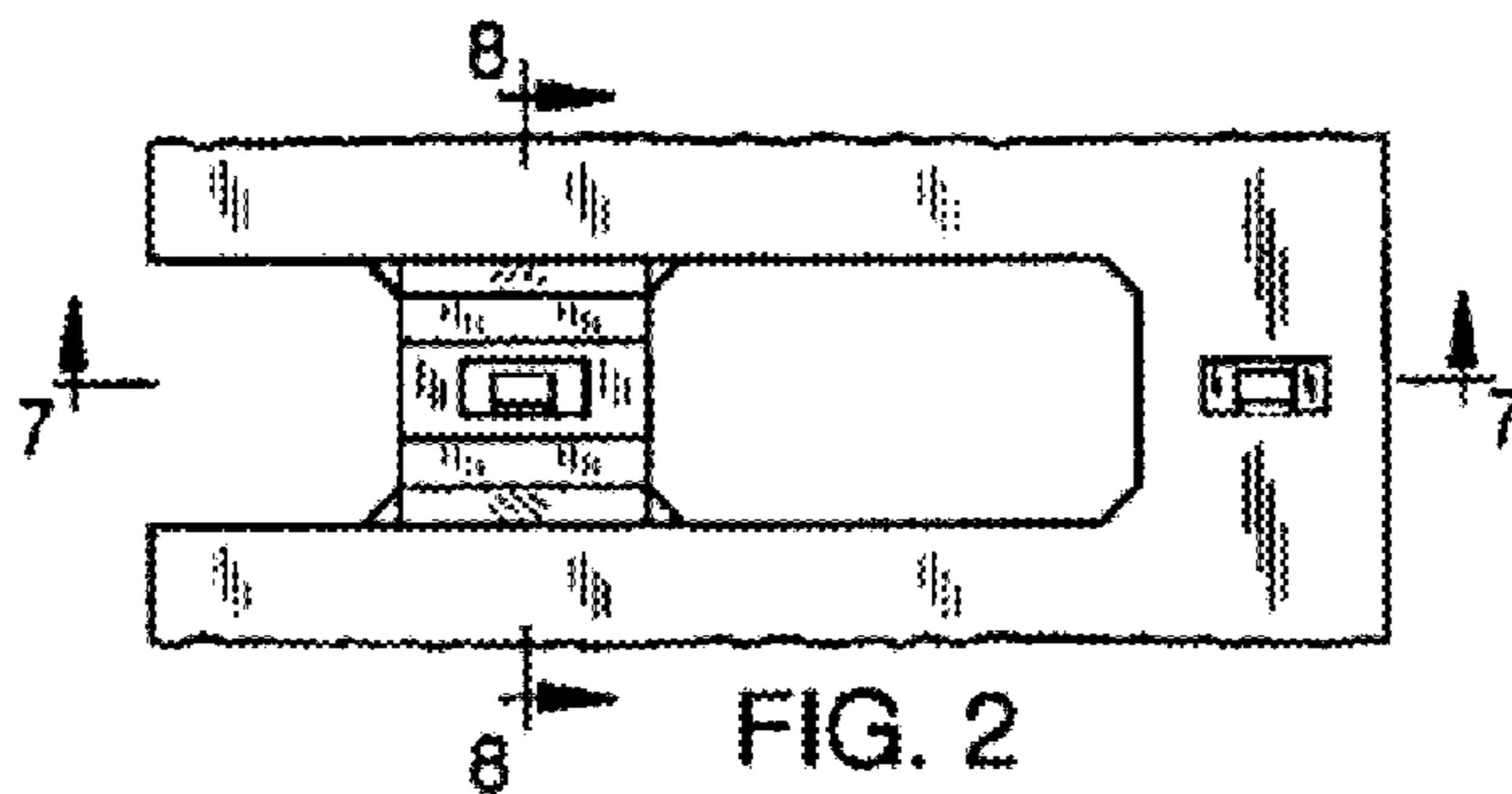
UNITED STATES PATENT AND TRADEMARK OFFICE
CERTIFICATE OF CORRECTION

PATENT NO. : Des. 532,119 S
APPLICATION NO. : 29/234369
DATED : November 14, 2006
INVENTOR(S) : James Hammer

Page 3 of 4

It is certified that error appears in the above-identified patent and that said Letters Patent is hereby corrected as shown below:

Delete sheet 2 of drawing and substitute the figures below



UNITED STATES PATENT AND TRADEMARK OFFICE
CERTIFICATE OF CORRECTION

PATENT NO. : Des. 532,119 S
APPLICATION NO. : 29/234369
DATED : November 14, 2006
INVENTOR(S) : James Hammer

Page 4 of 4

It is certified that error appears in the above-identified patent and that said Letters Patent is hereby corrected as shown below:

Delete sheet 3 of drawings and replace with the figures below

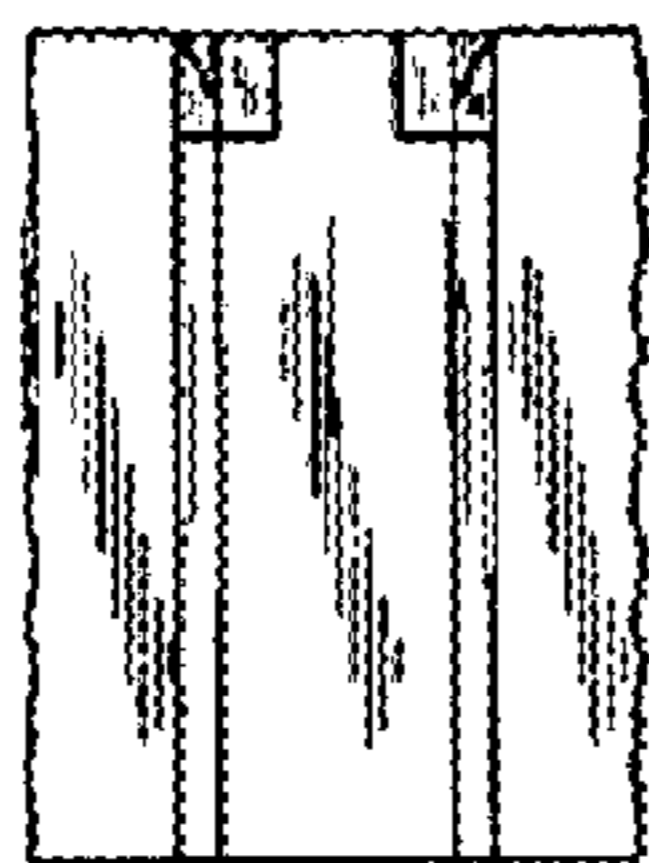


FIG. 5

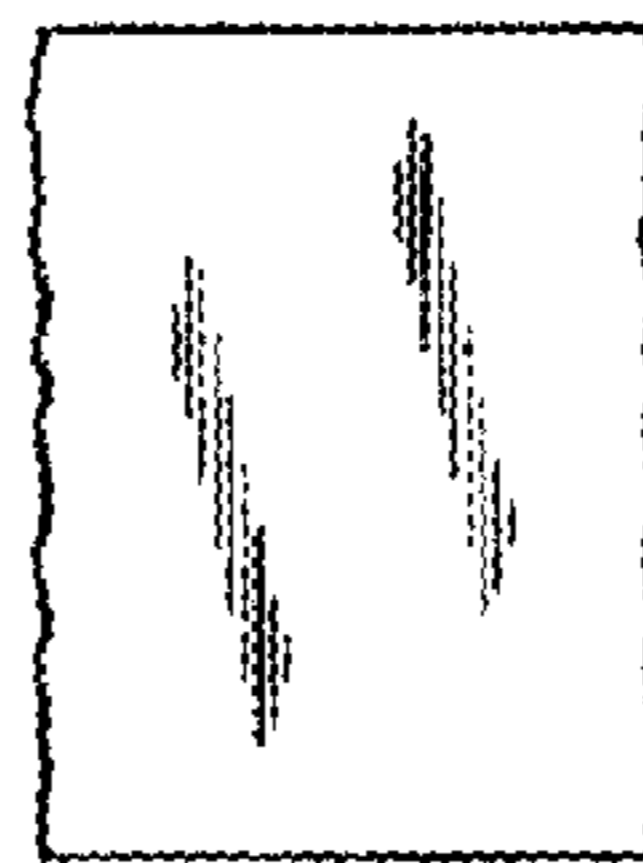


FIG. 6

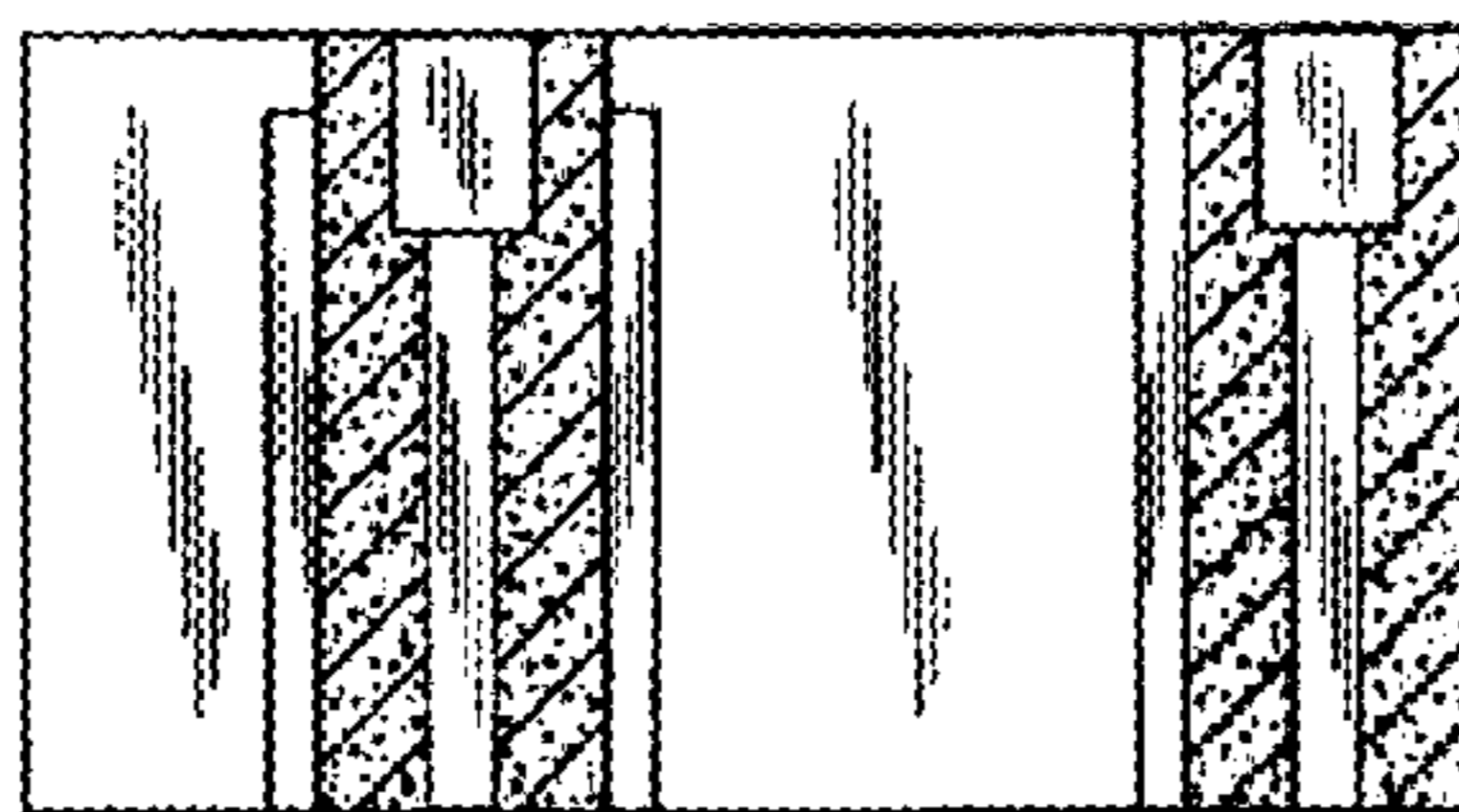


FIG. 7

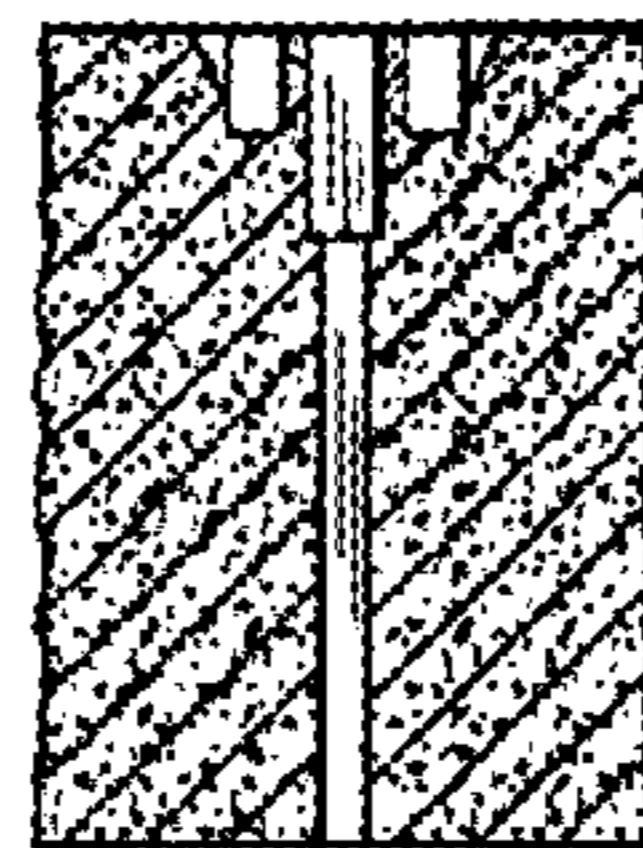


FIG. 8

Signed and Sealed this

Fourteenth Day of October, 2008

JON W. DUDAS
Director of the United States Patent and Trademark Office