



US00D532118S

(12) **United States Design Patent**
Reese

(10) **Patent No.:** **US D532,118 S**

(45) **Date of Patent:** **** Nov. 14, 2006**

(54) **FOLDING STEP**

D460,566 S * 7/2002 Henschel et al. D25/65

(76) Inventor: **James C. Reese**, 5202 Laurel Ridge
Dr., Sanford, NC (US) 27330

* cited by examiner

Primary Examiner—Doris Clark

(**) Term: **14 Years**

(74) *Attorney, Agent, or Firm*—Locke Liddell & Sapp LLP

(21) Appl. No.: **29/236,126**

(57) **CLAIM**

(22) Filed: **Aug. 11, 2005**

I claim, the ornamental design for a folding step, as shown
as described.

(51) **LOC (8) Cl.** **25-04**

DESCRIPTION

(52) **U.S. Cl.** **D25/65**

(58) **Field of Classification Search** D25/63,
D25/65; 182/33, 130; D6/350, 353; 297/423.29;
108/115

FIG. 1 is a top front and side perspective view of the folding
step;
FIG. 2 is a left side elevation view thereof;
FIG. 3 is a front elevation view thereof;
FIG. 4 is a rear elevation view thereof;
FIG. 5 is a top plan view thereof;
FIG. 6 is a bottom plan view thereof; and,
FIG. 7 is a right side elevation thereof.

See application file for complete search history.

(56) **References Cited**

U.S. PATENT DOCUMENTS

5,094,505 A * 3/1992 Nichols 297/118
D443,072 S * 5/2001 Schultz D25/65

1 Claim, 3 Drawing Sheets

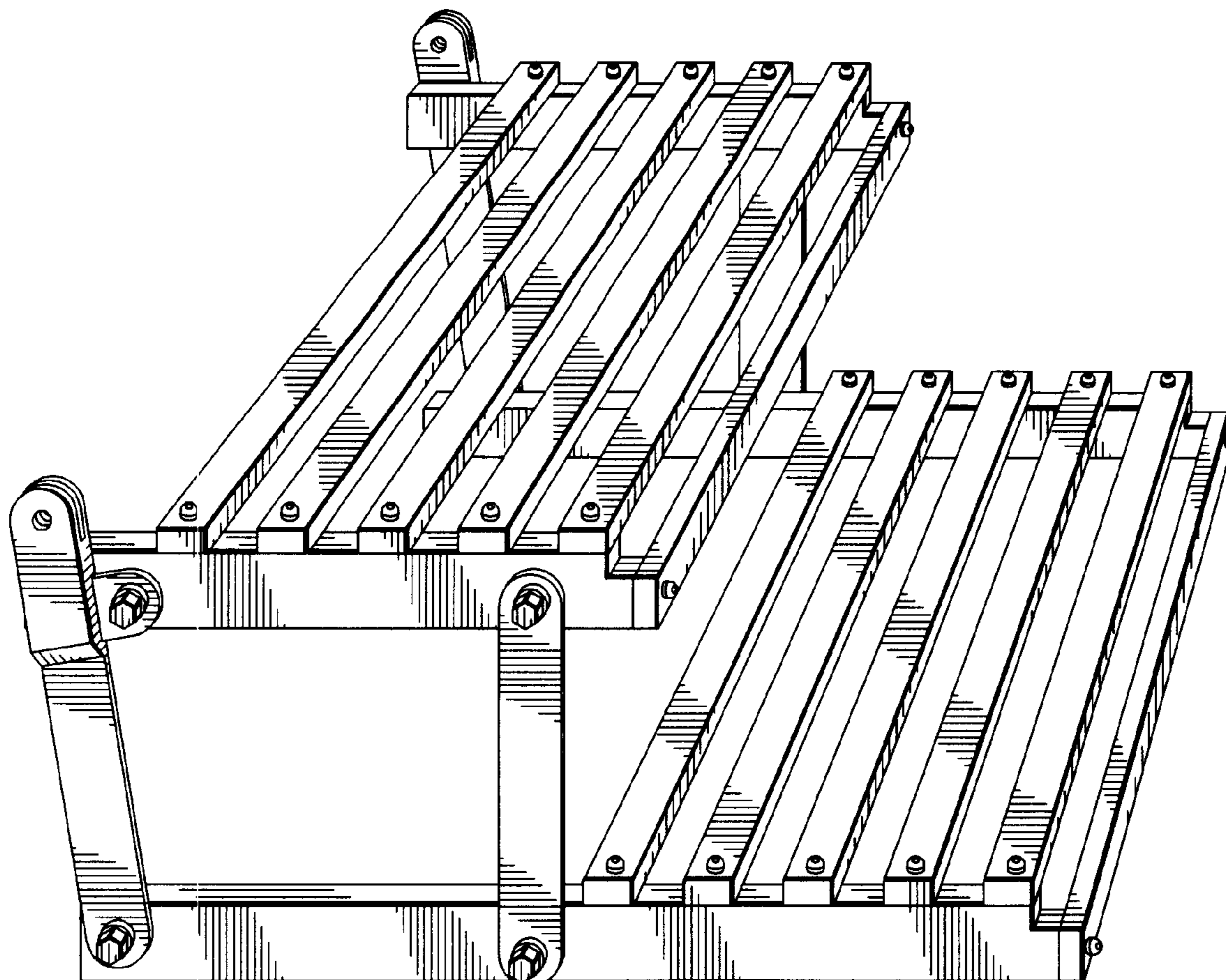


FIG. 1

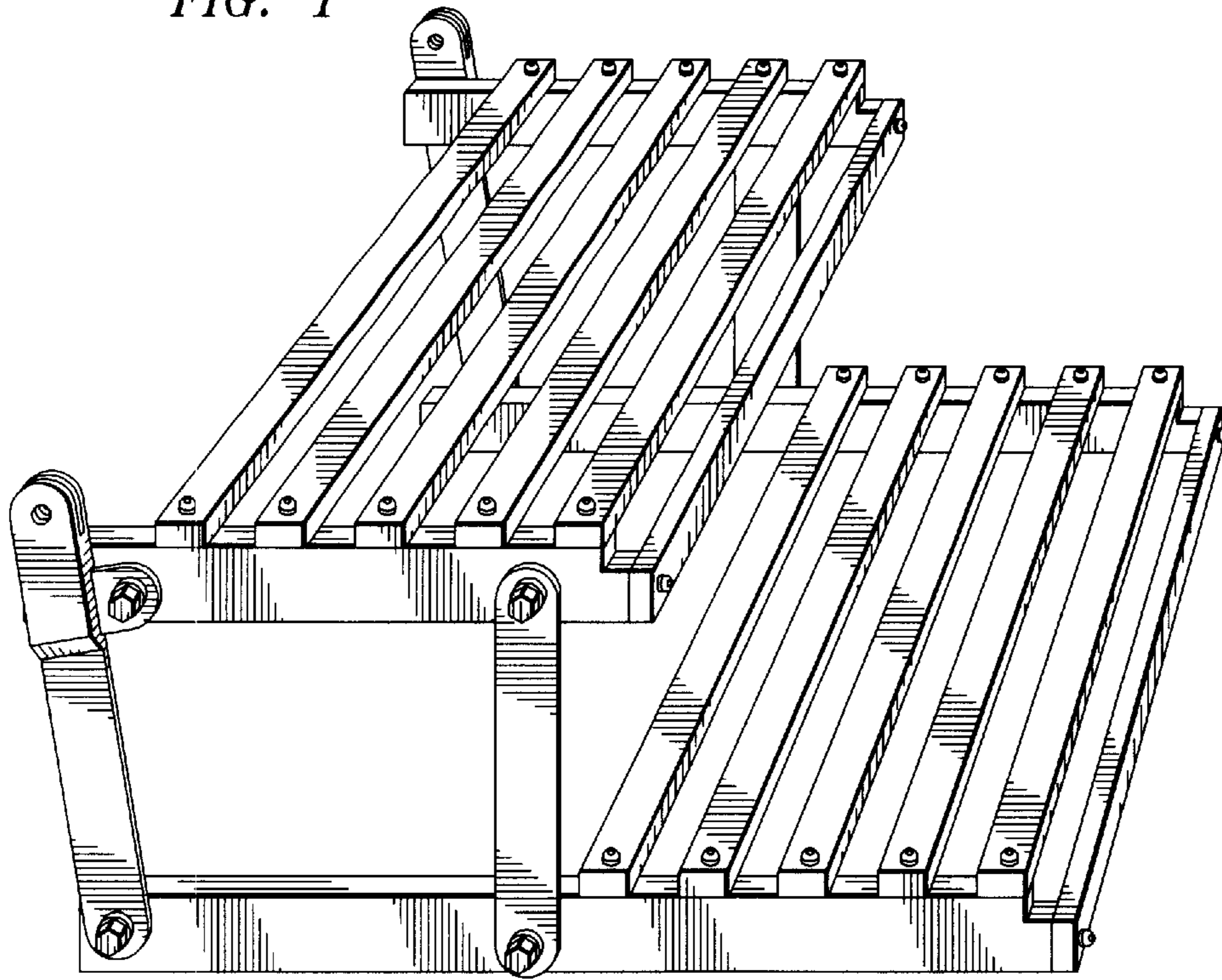


FIG. 2

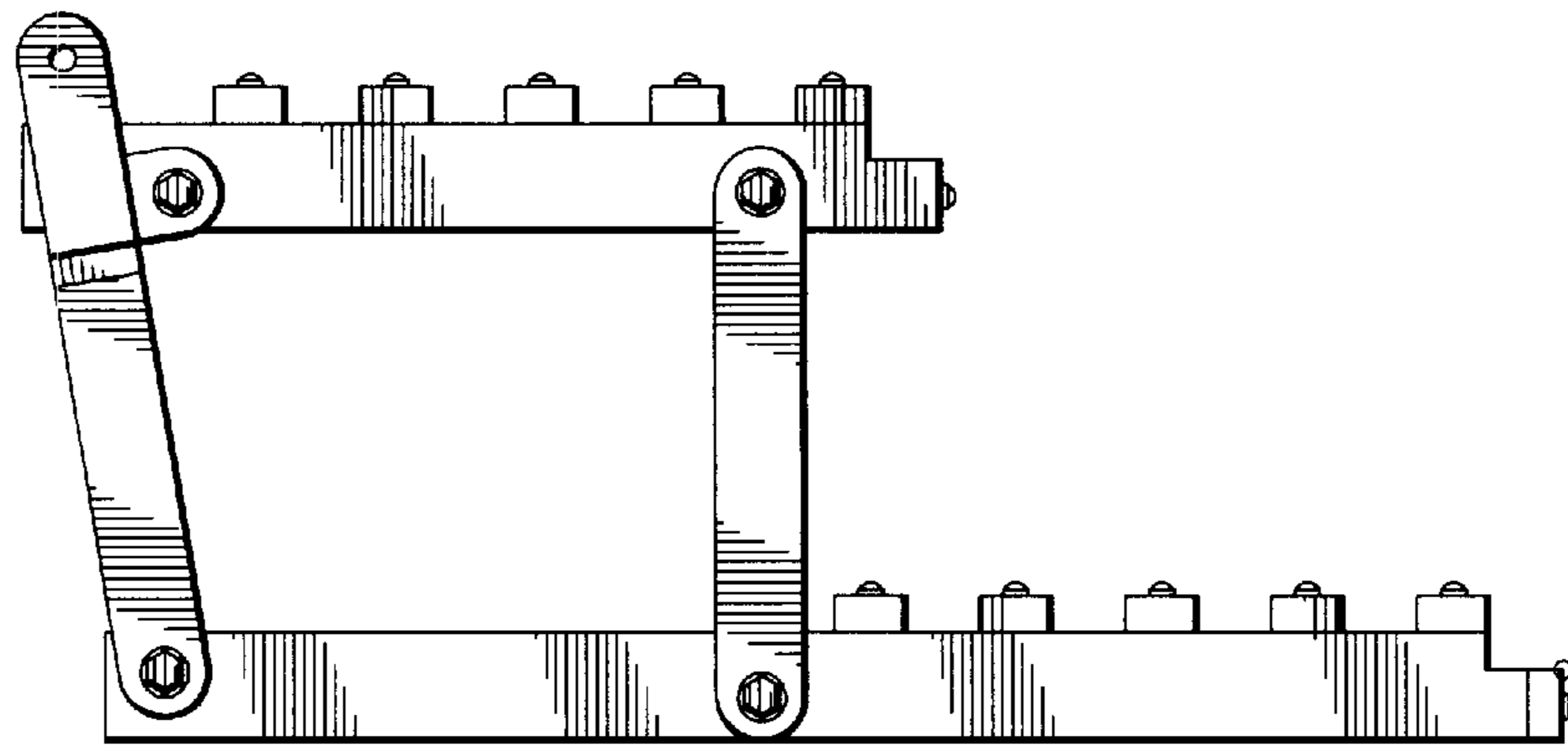


FIG. 3

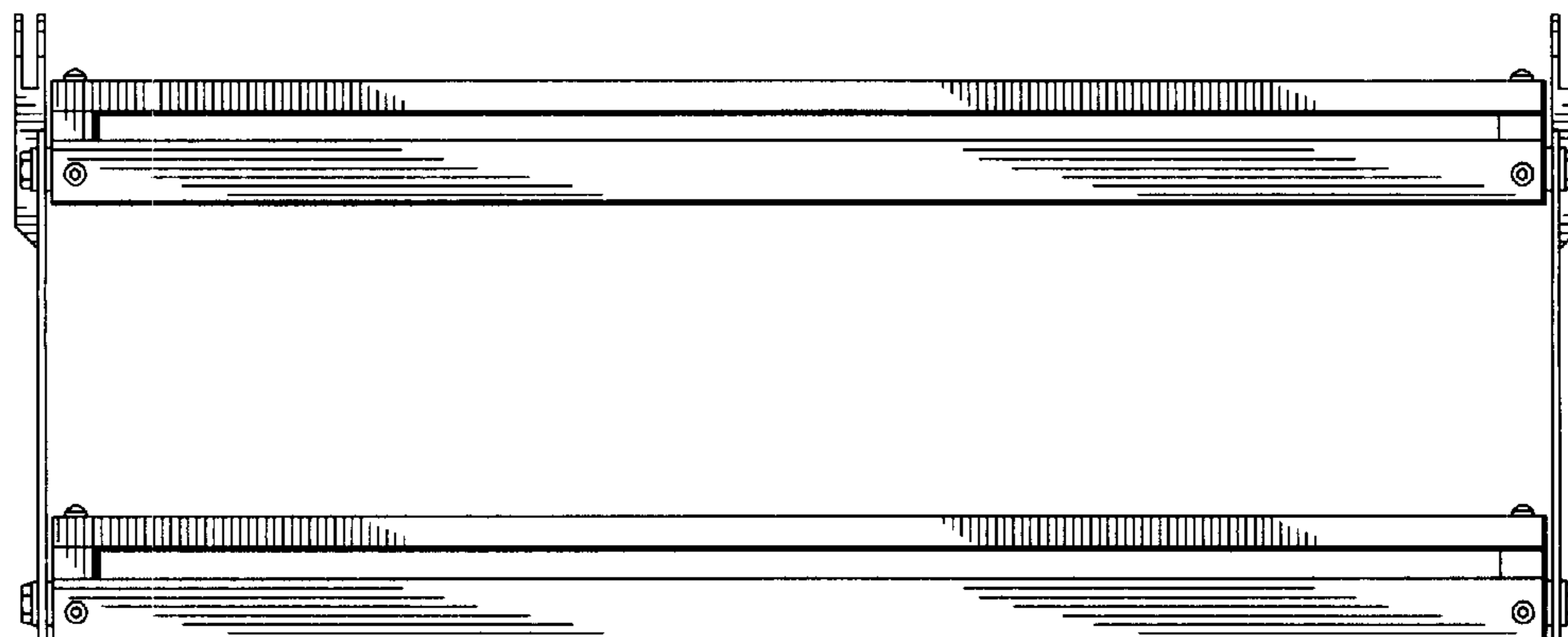


FIG. 4

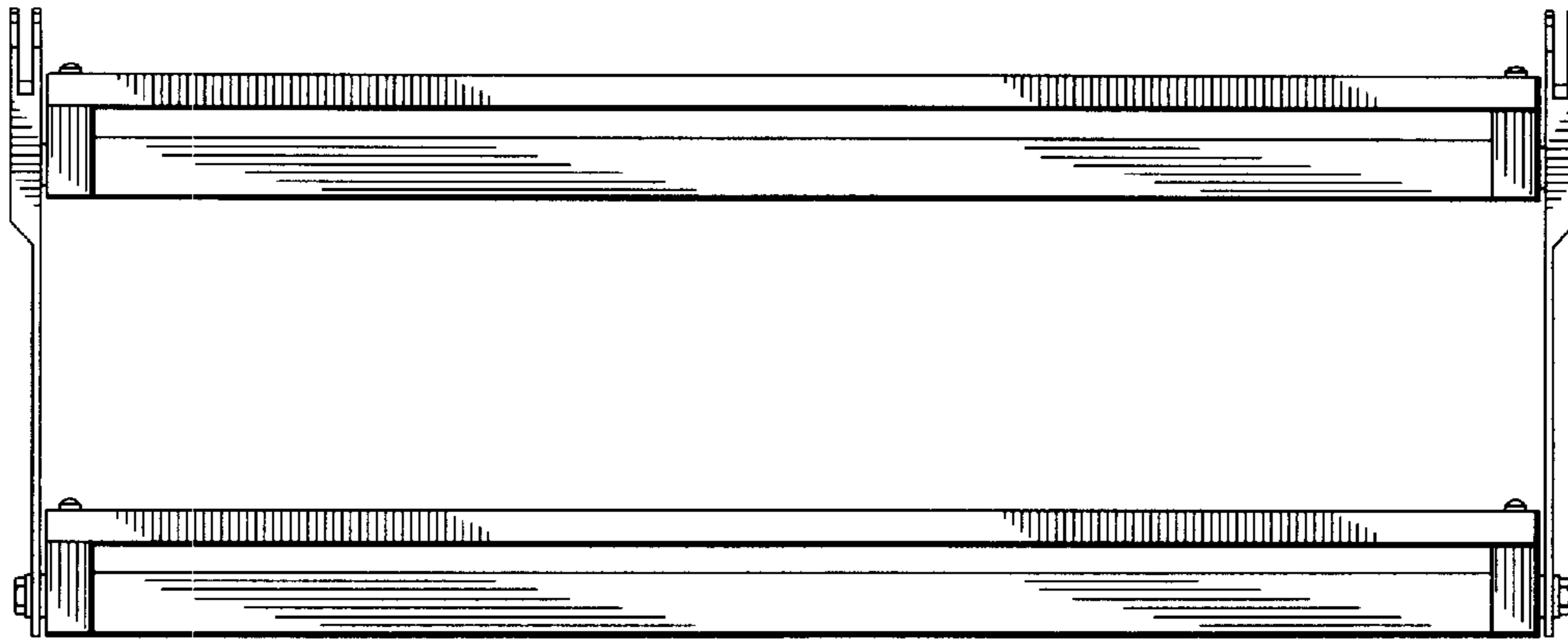


FIG. 5

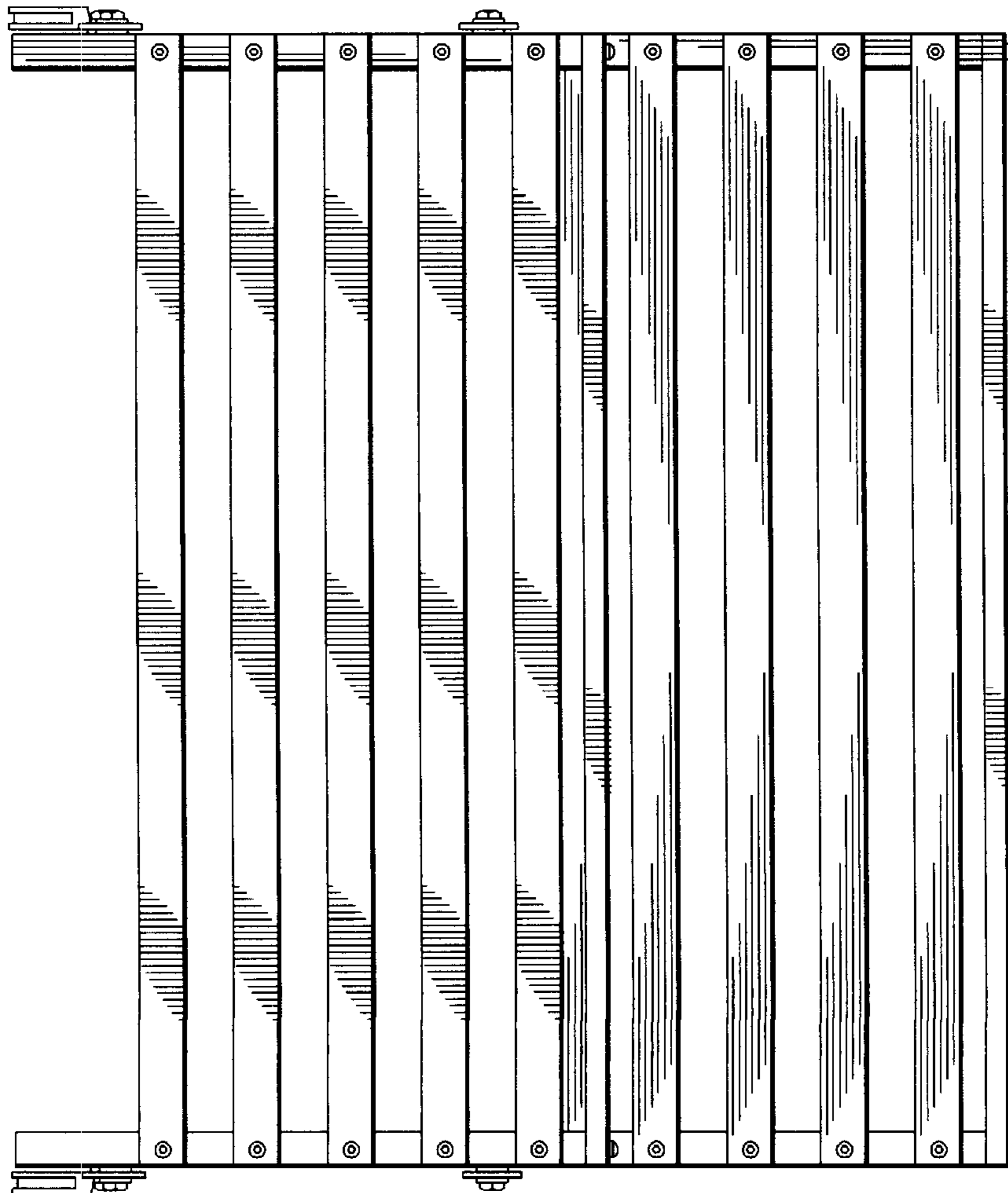


FIG. 6

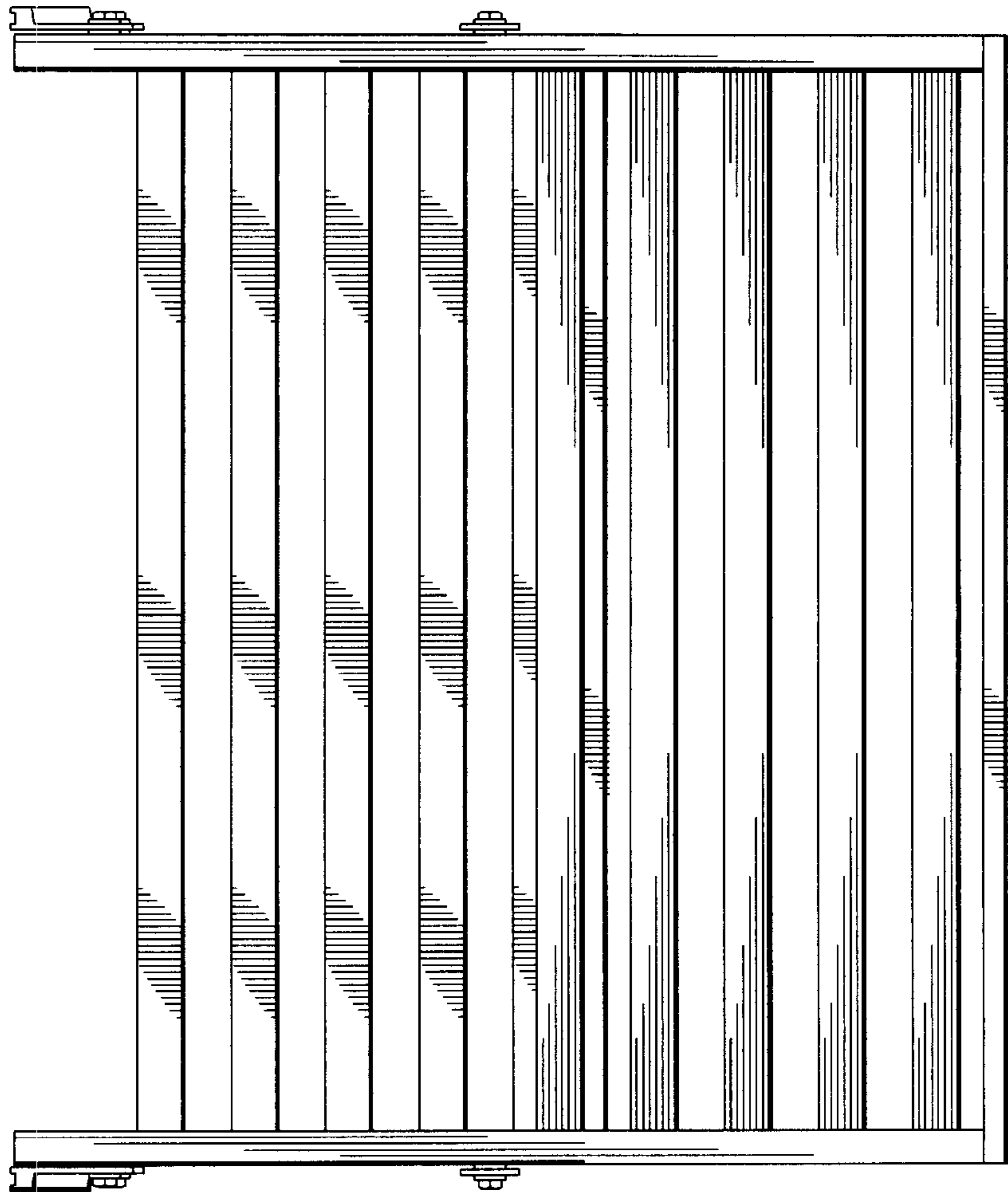


FIG. 7

