



US00D532111S

(12) **United States Design Patent**
Espersen

(10) **Patent No.:** **US D532,111 S**

(45) **Date of Patent:** **** Nov. 14, 2006**

(54) **HEARING AID**

(75) Inventor: **Christian Bohl Espersen**, Ballerup (DK)

(73) Assignee: **Widex A/S** (DE)

(**) Term: **14 Years**

(21) Appl. No.: **29/227,299**

(22) Filed: **Apr. 8, 2005**

(30) **Foreign Application Priority Data**

Oct. 8, 2004 (EM) 000238704

(51) **LOC (8) Cl.** **24-99**

(52) **U.S. Cl.** **D24/174**

(58) **Field of Classification Search** D24/174,
D24/173; 381/312, 23.1, 322-334, 380-382,
381/315; 181/129, 130, 134, 135, 137; 128/864-868
See application file for complete search history.

(56) **References Cited**

U.S. PATENT DOCUMENTS

4,073,366	A *	2/1978	Estes	181/158
4,677,675	A *	6/1987	Killion et al.	381/322
4,727,582	A *	2/1988	de Vries et al.	381/330
5,753,870	A *	5/1998	Schlaegel et al.	181/129
5,761,319	A *	6/1998	Dar et al.	381/330
D411,885	S *	7/1999	Mavrakis et al.	D24/174
5,975,235	A *	11/1999	Schlaegel et al.	181/129
6,009,183	A *	12/1999	Taenzer et al.	381/330
6,681,022	B1 *	1/2004	Puthuff et al.	381/338
D501,255	S *	1/2005	Feeley et al.	D24/174

D506,258 S * 6/2005 Nielsen D24/174

* cited by examiner

Primary Examiner—Ian Simmons

Assistant Examiner—Daniel Yu

(74) *Attorney, Agent, or Firm*—Greenebaum Doll & McDonald PLLC; Glenn D. Bellamy; James C. Eaves, Jr.

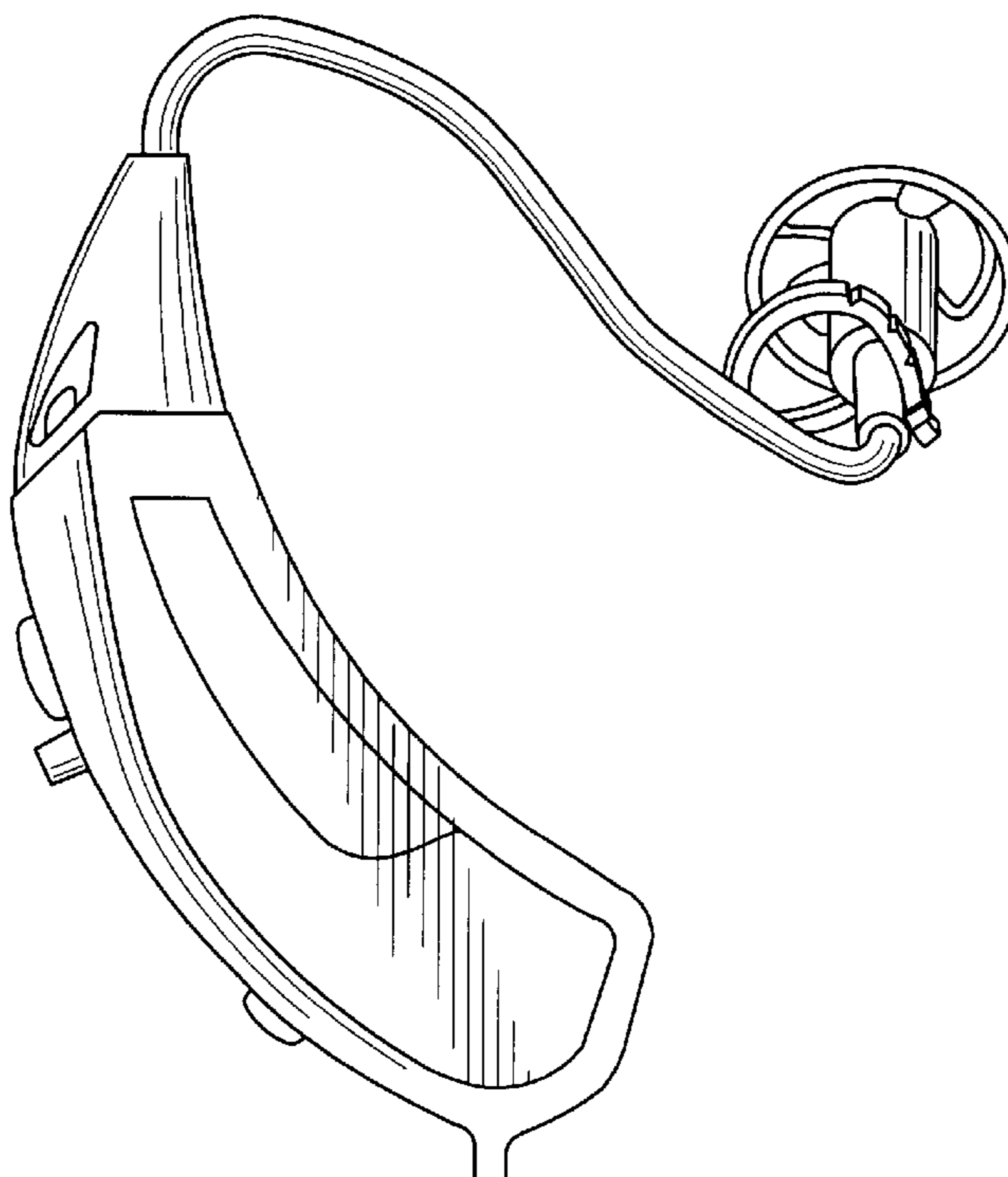
(57) **CLAIM**

The ornamental design for a hearing aid, as shown and described.

DESCRIPTION

FIG. 1 is a first side view oriented to the hearing aid portion, showing my new design;
 FIG. 2 is an opposite side view thereof;
 FIG. 3 is a side view oriented along an axis of the earplug portion;
 FIG. 4 is an opposite side view thereof;
 FIG. 5 is a first end view;
 FIG. 6 is an opposite end view;
 FIG. 7 is a pictorial view;
 FIG. 8 is a side view of the connecting piece portion with the hearing aid and earplug portions removed for ease of illustration;
 FIG. 9 is an opposite side view thereof;
 FIG. 10 is a first end view thereof;
 FIG. 11 is an opposite end view thereof;
 FIG. 12 is a bottom view thereof;
 FIG. 13 is a top view thereof; and,
 FIG. 14 is a pictorial view thereof.

1 Claim, 8 Drawing Sheets



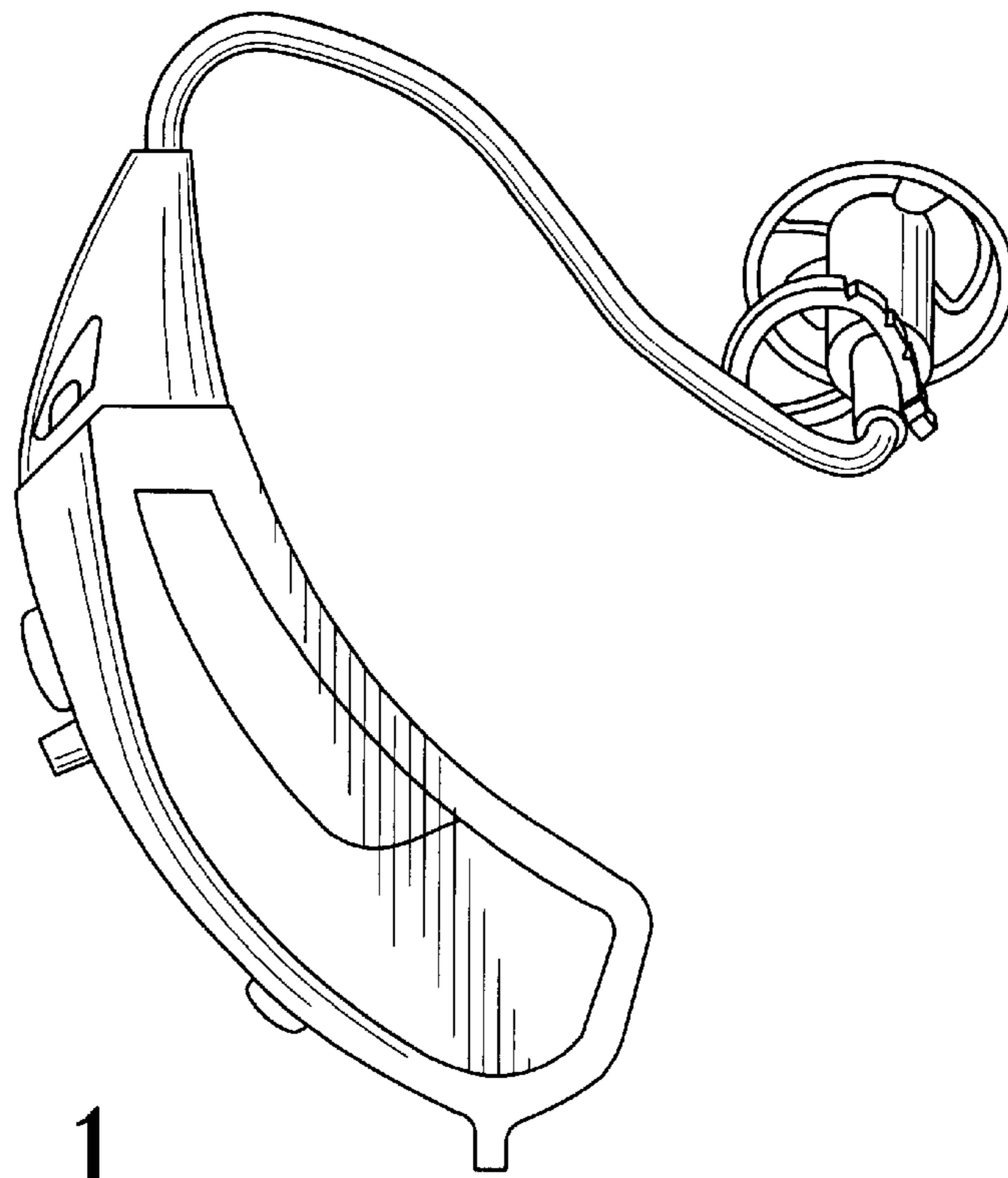


Fig. 1

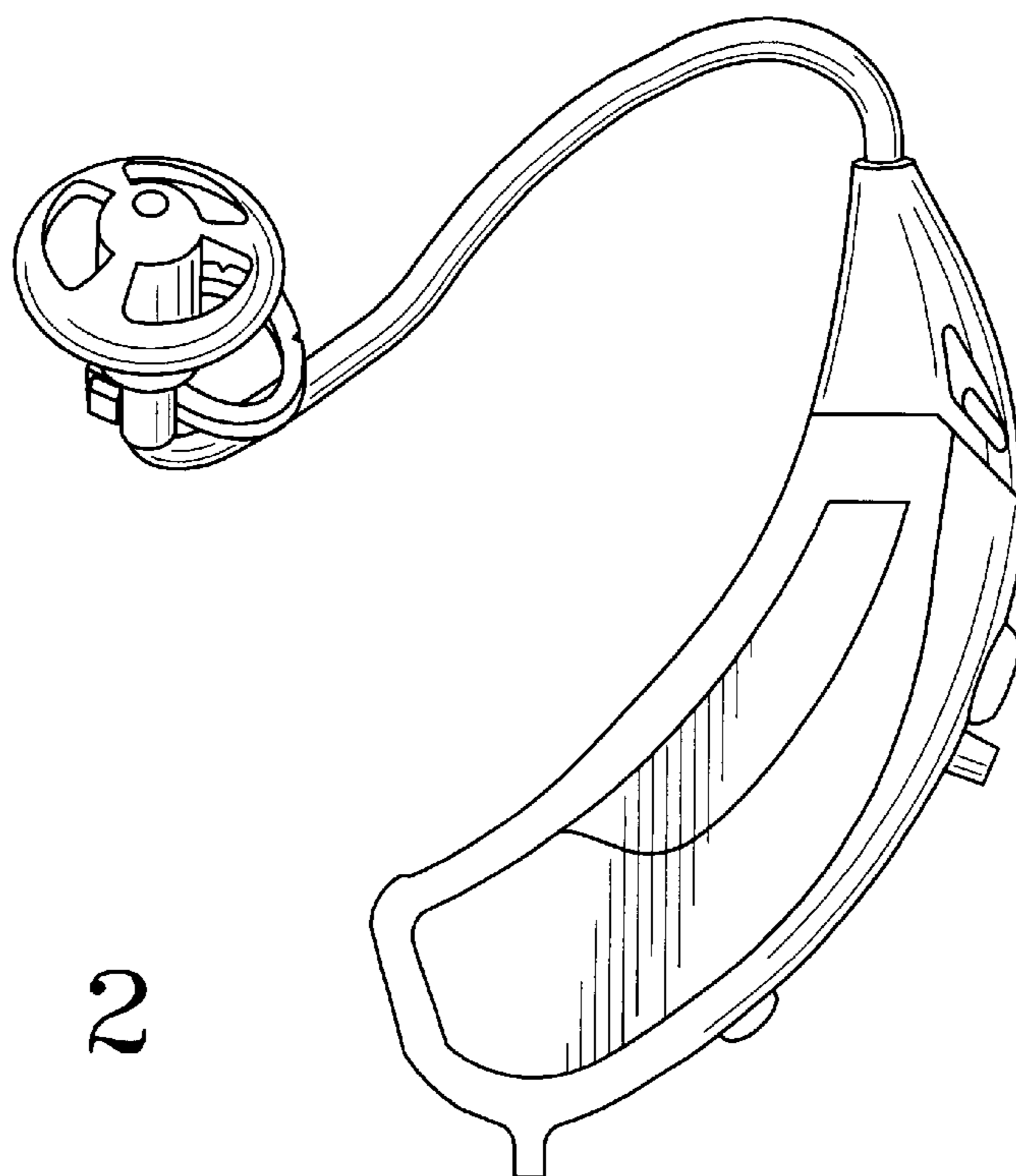


Fig. 2

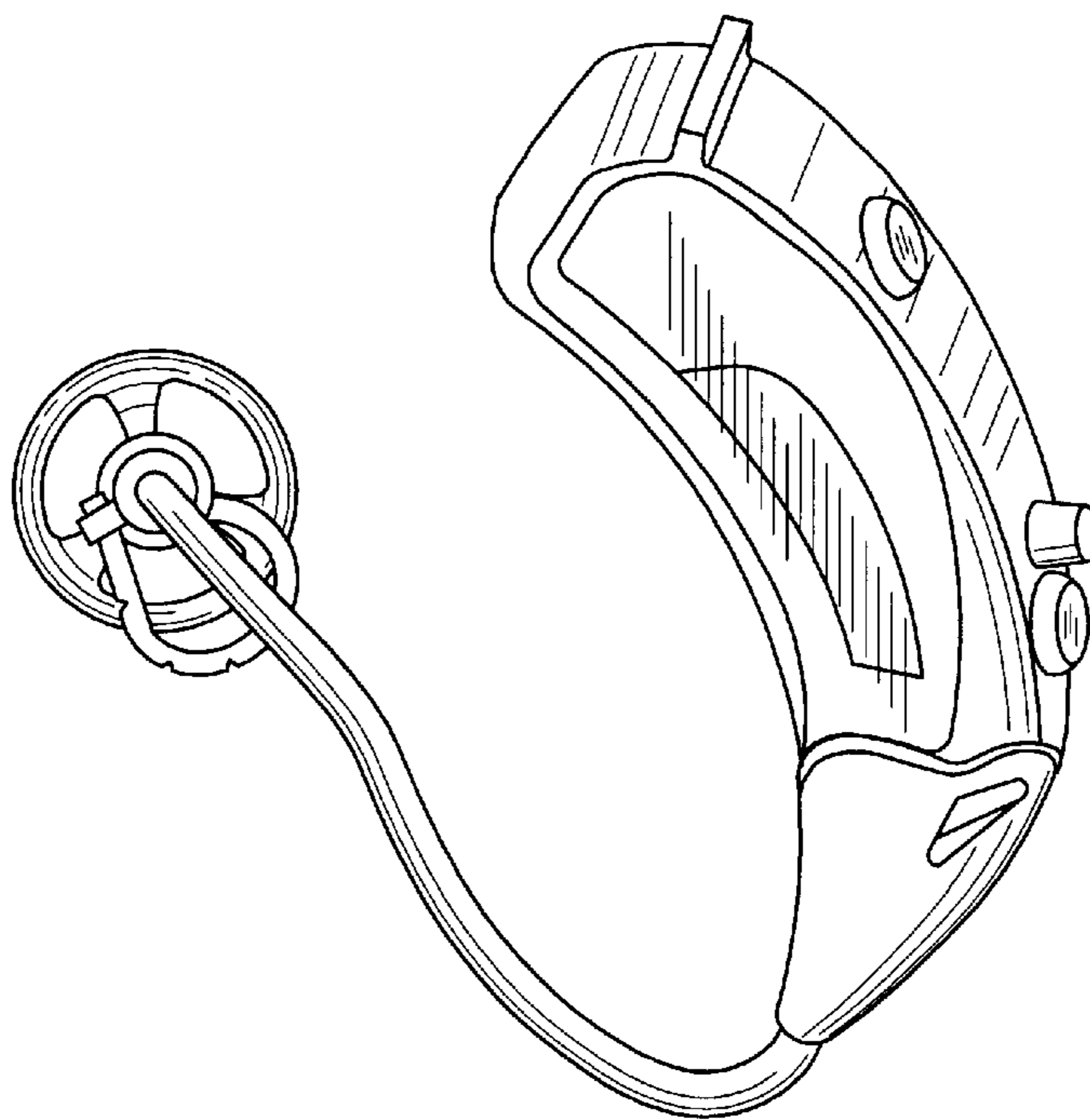


Fig. 3



Fig. 4

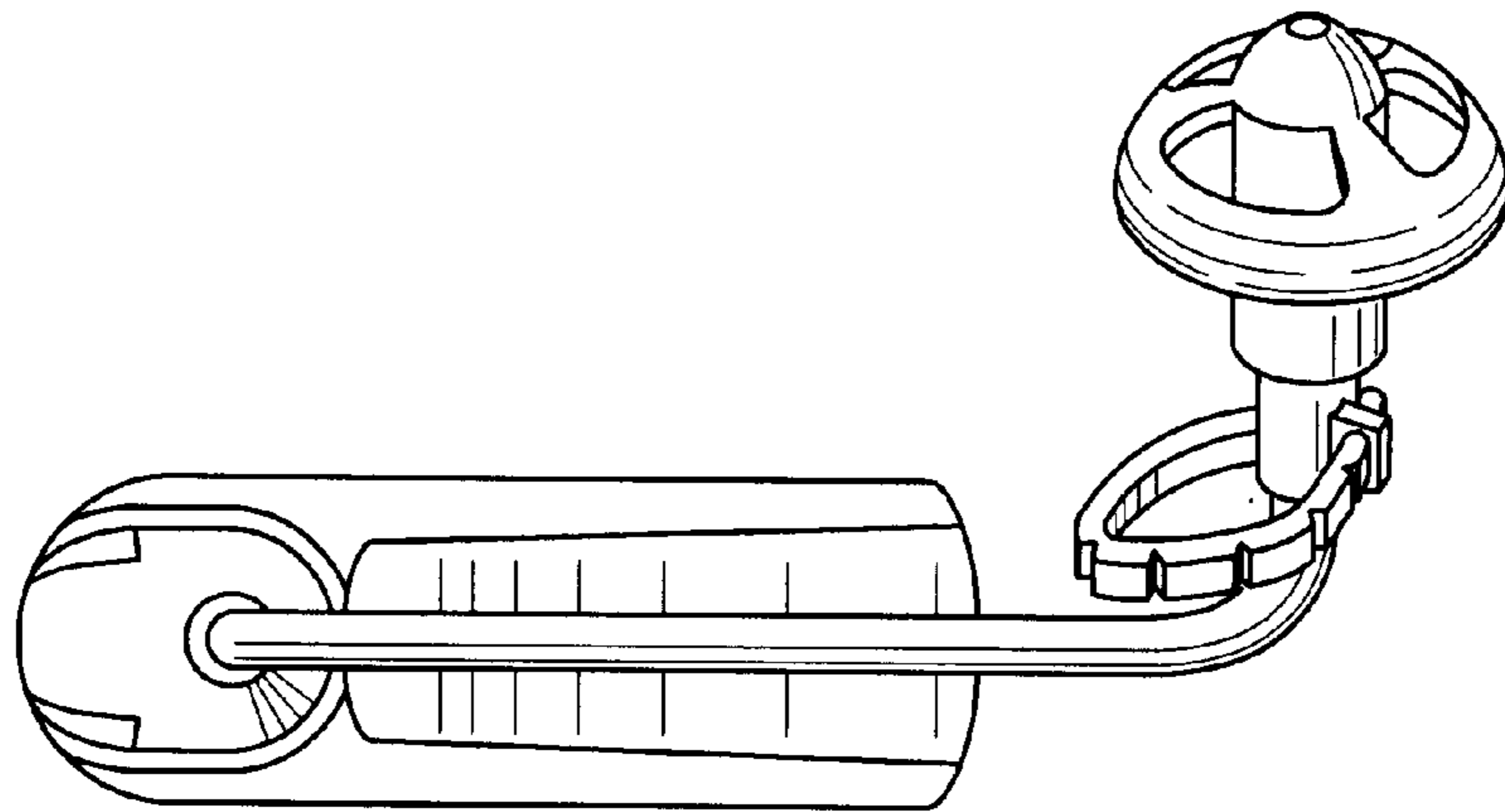


Fig. 5

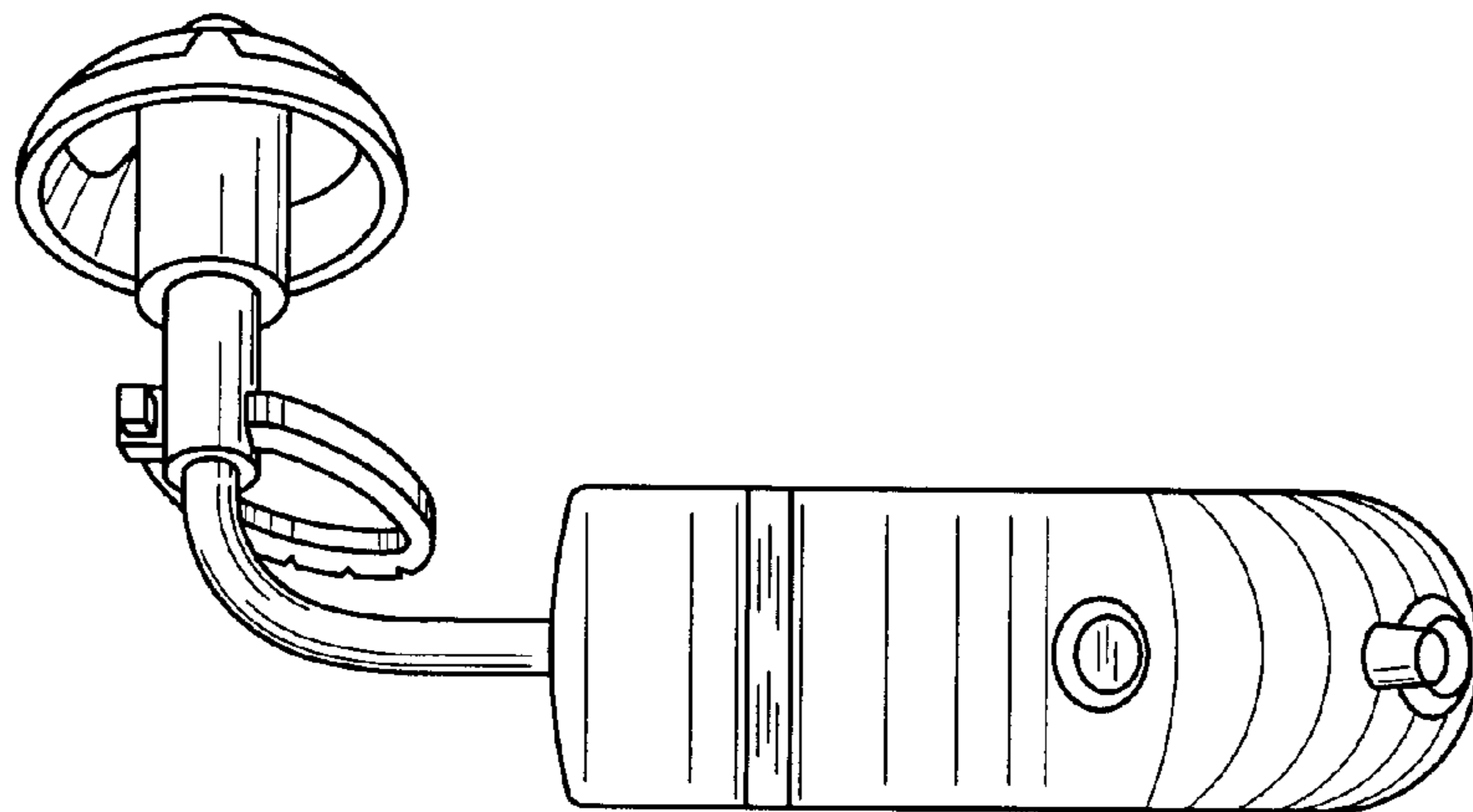


Fig. 6

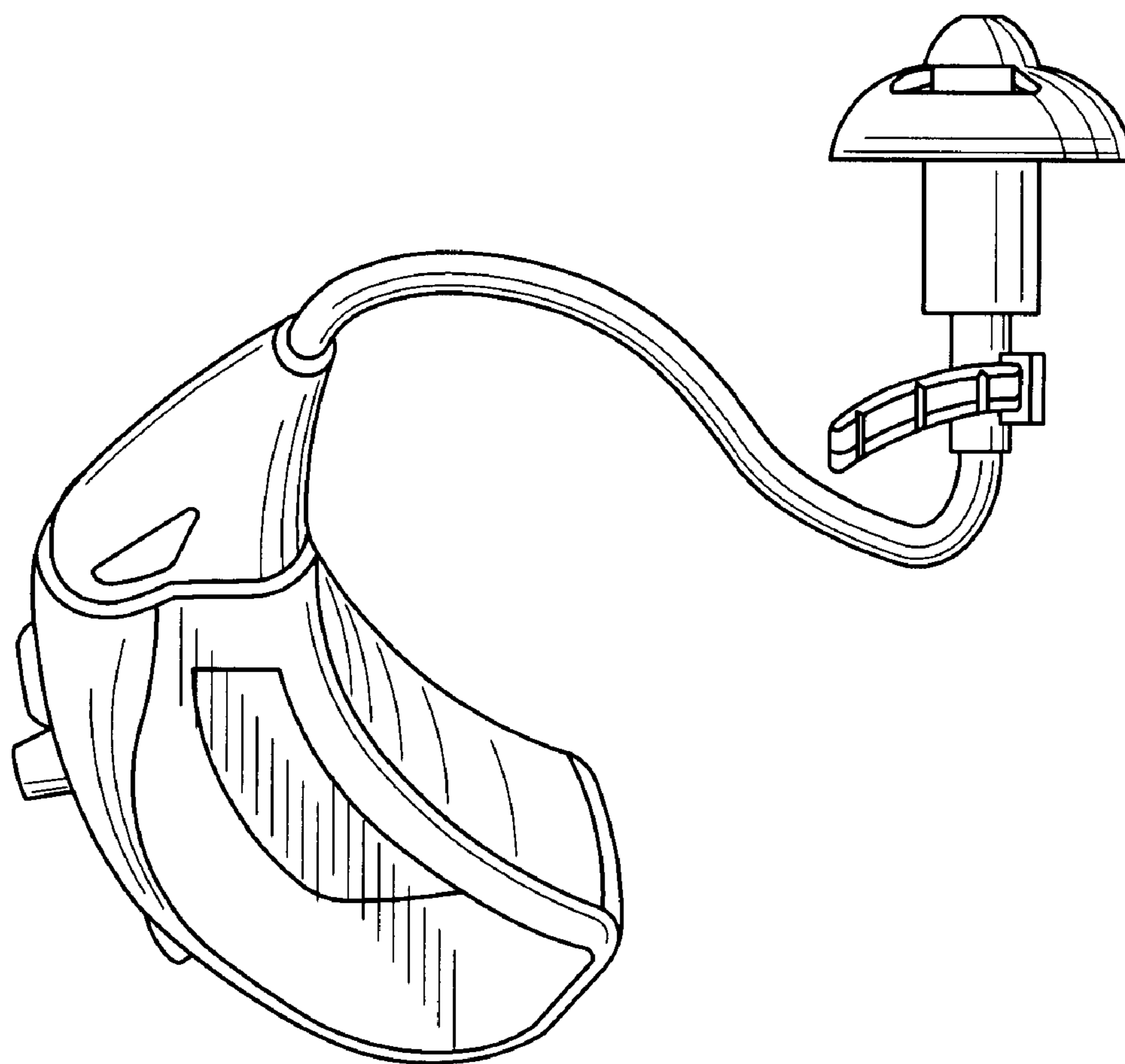


Fig. 7

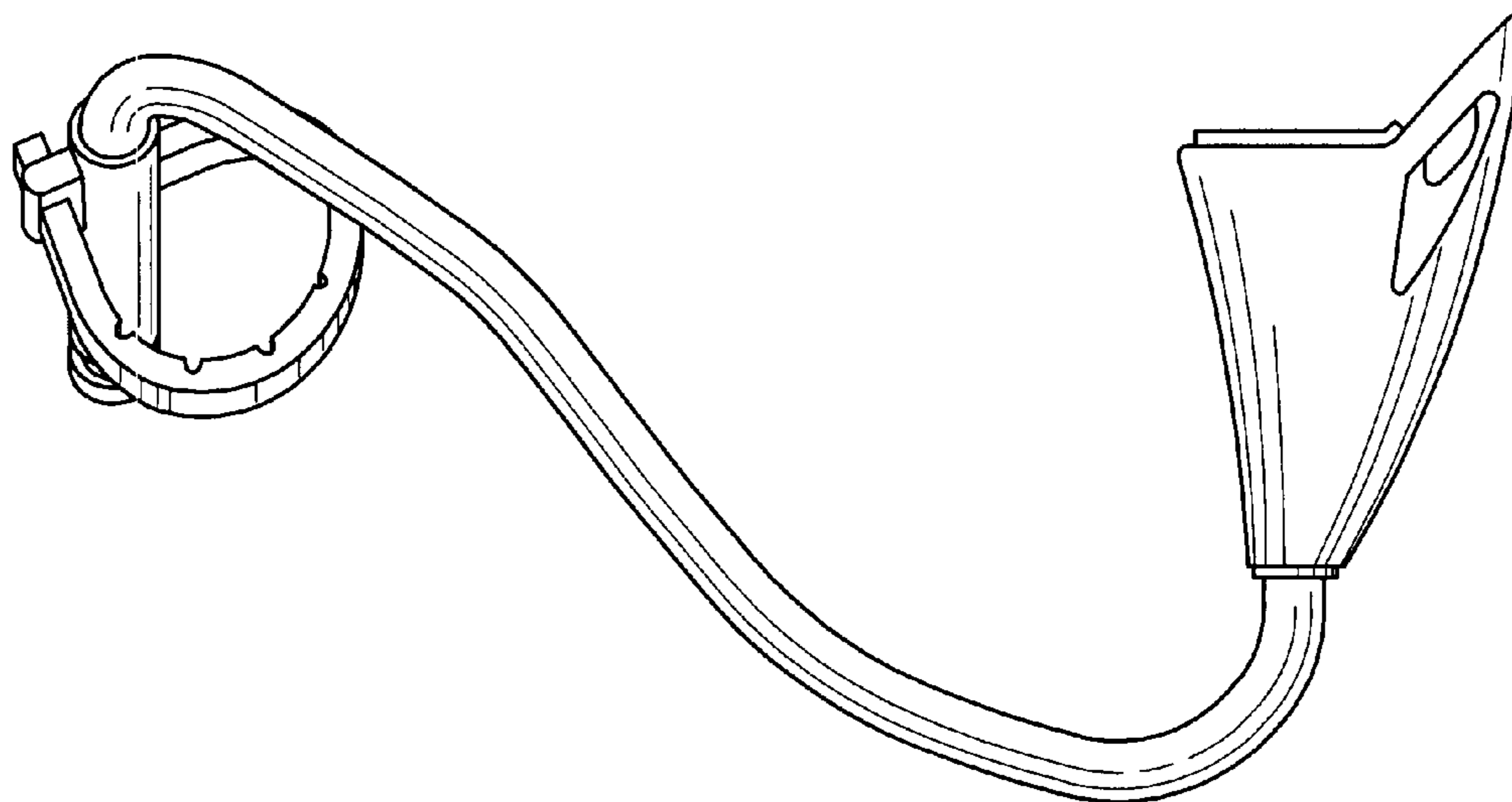


Fig. 8

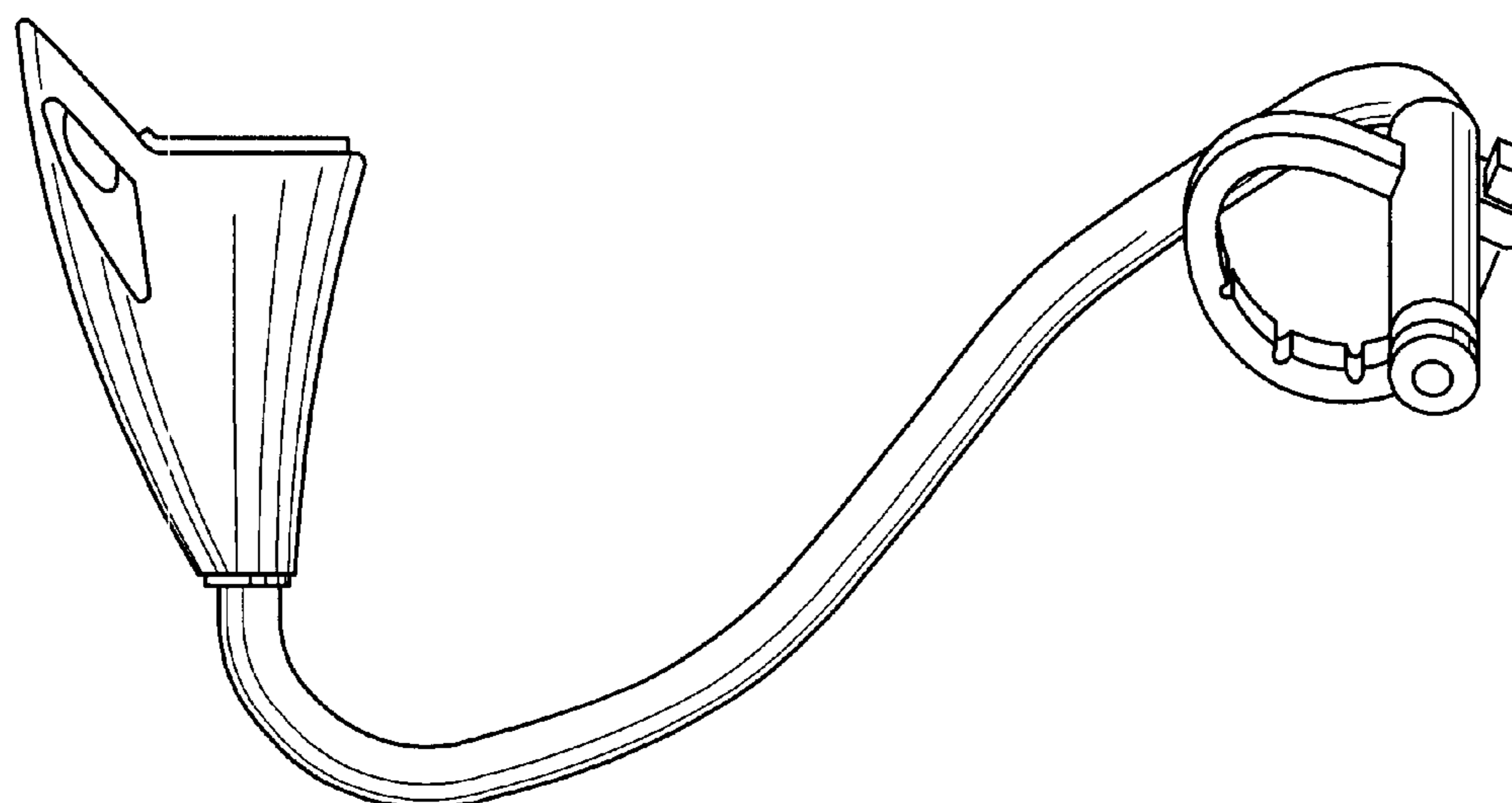


Fig. 9

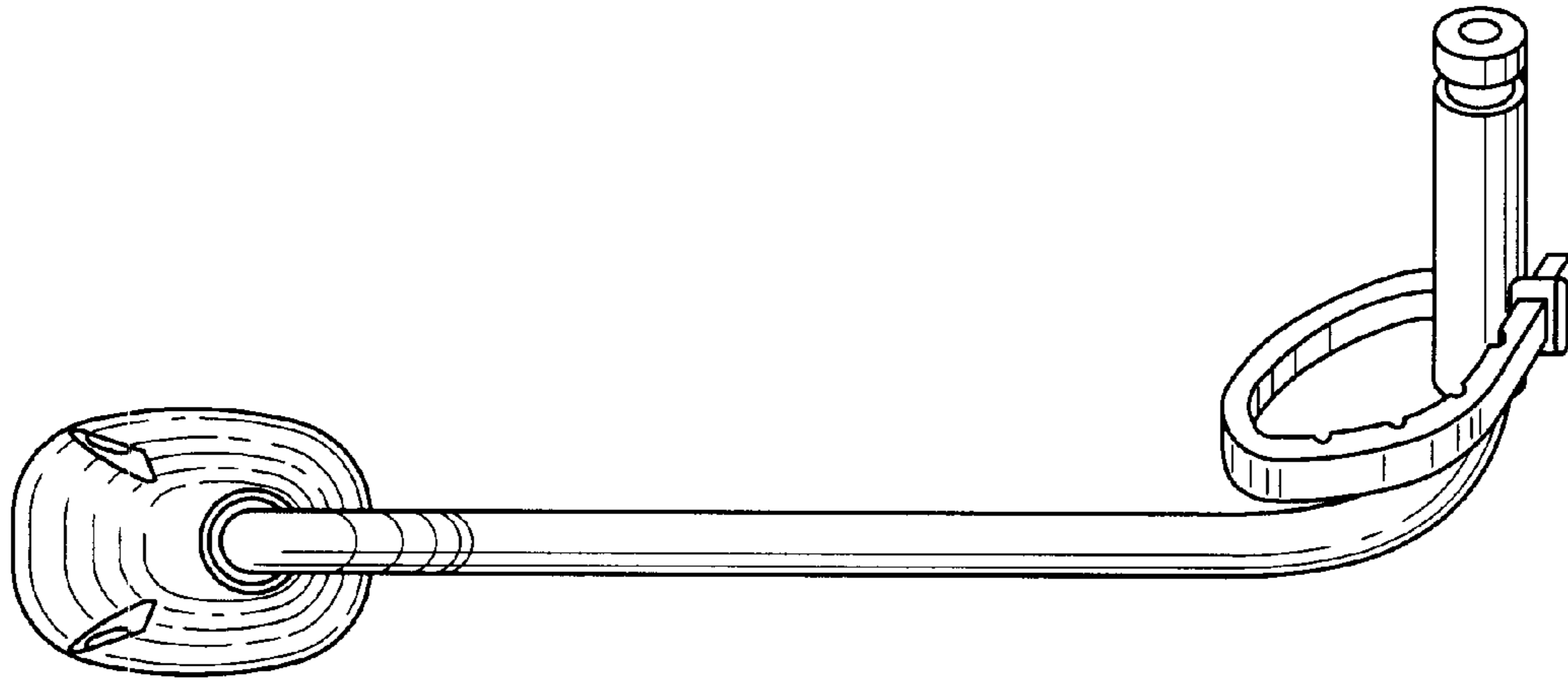


Fig. 10

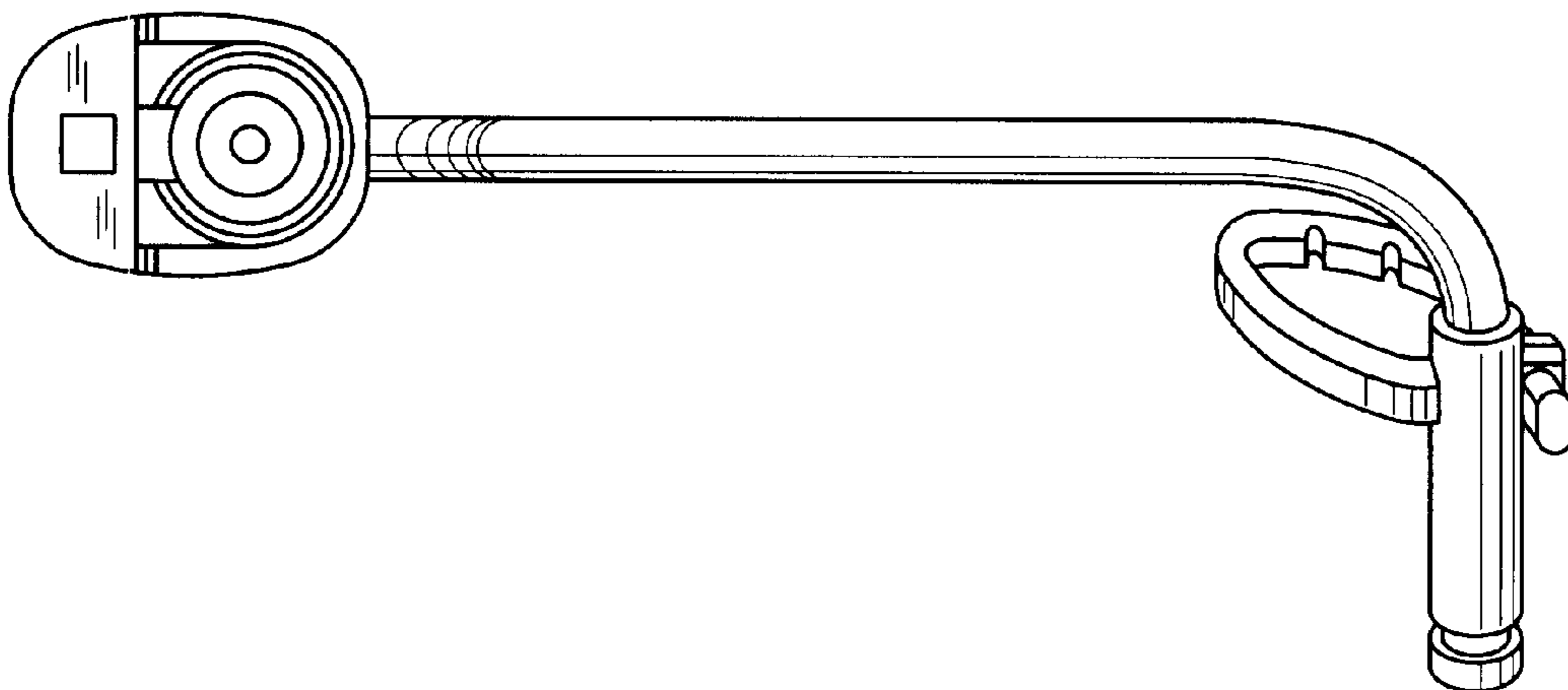


Fig. 11

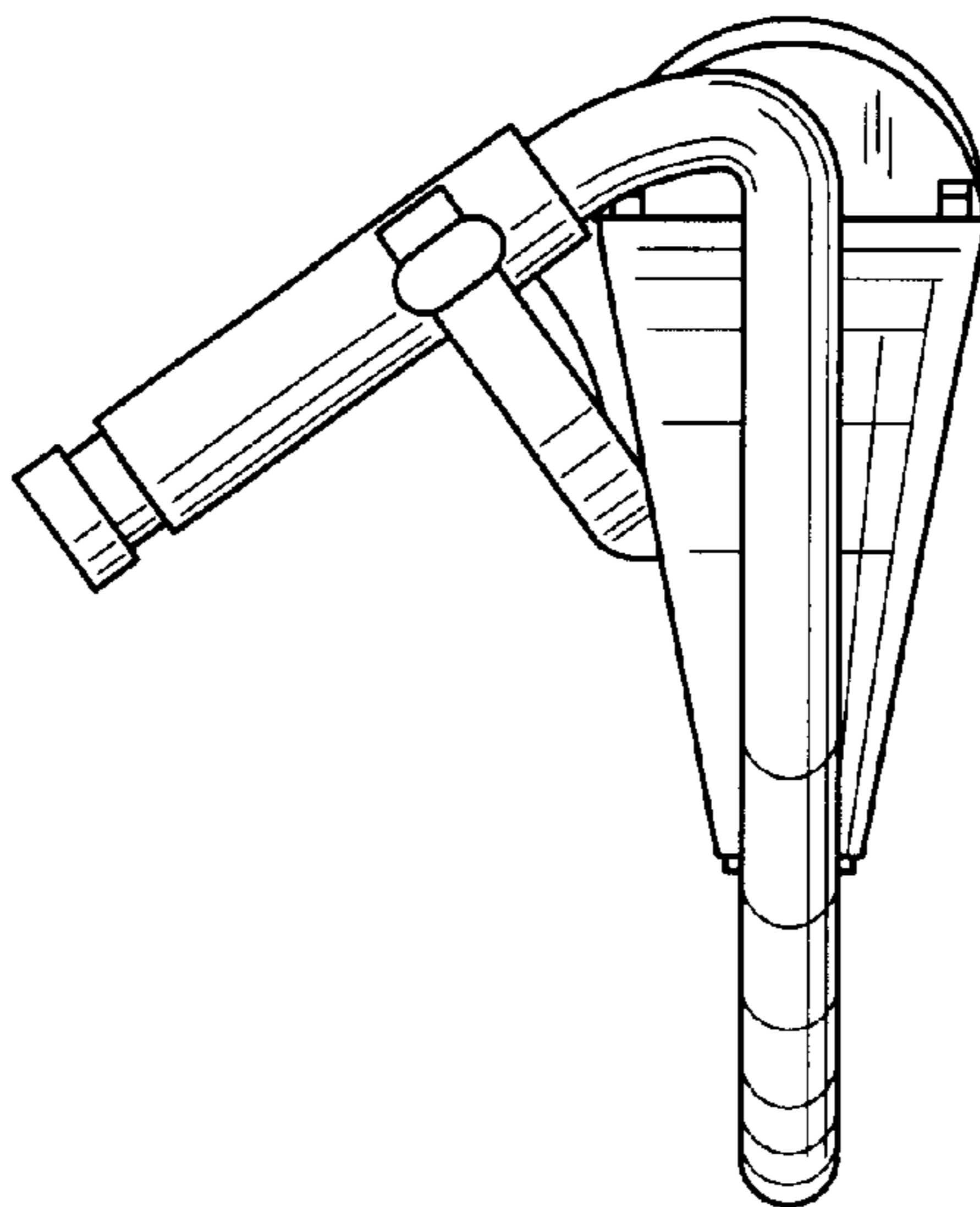


Fig. 12

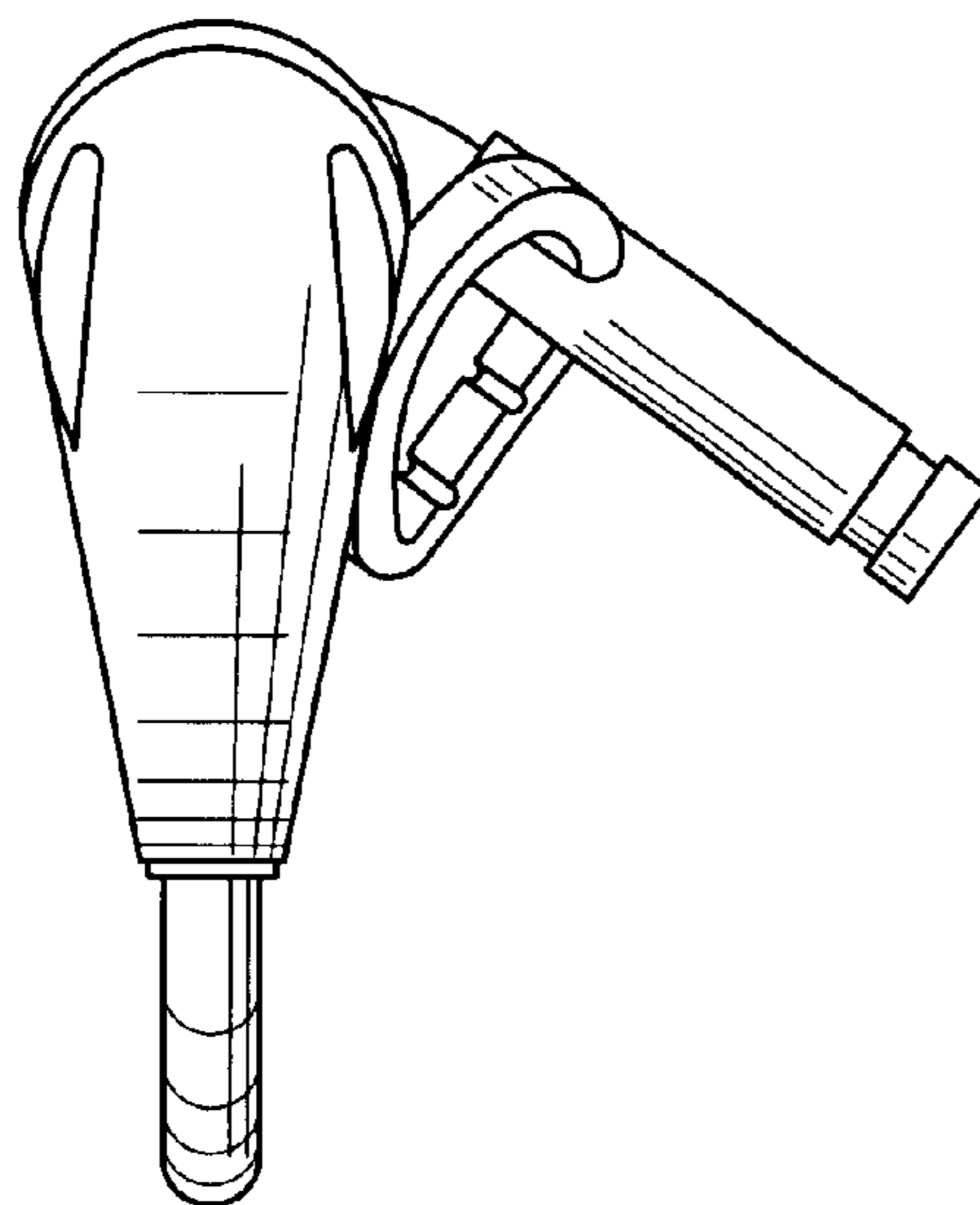


Fig. 13

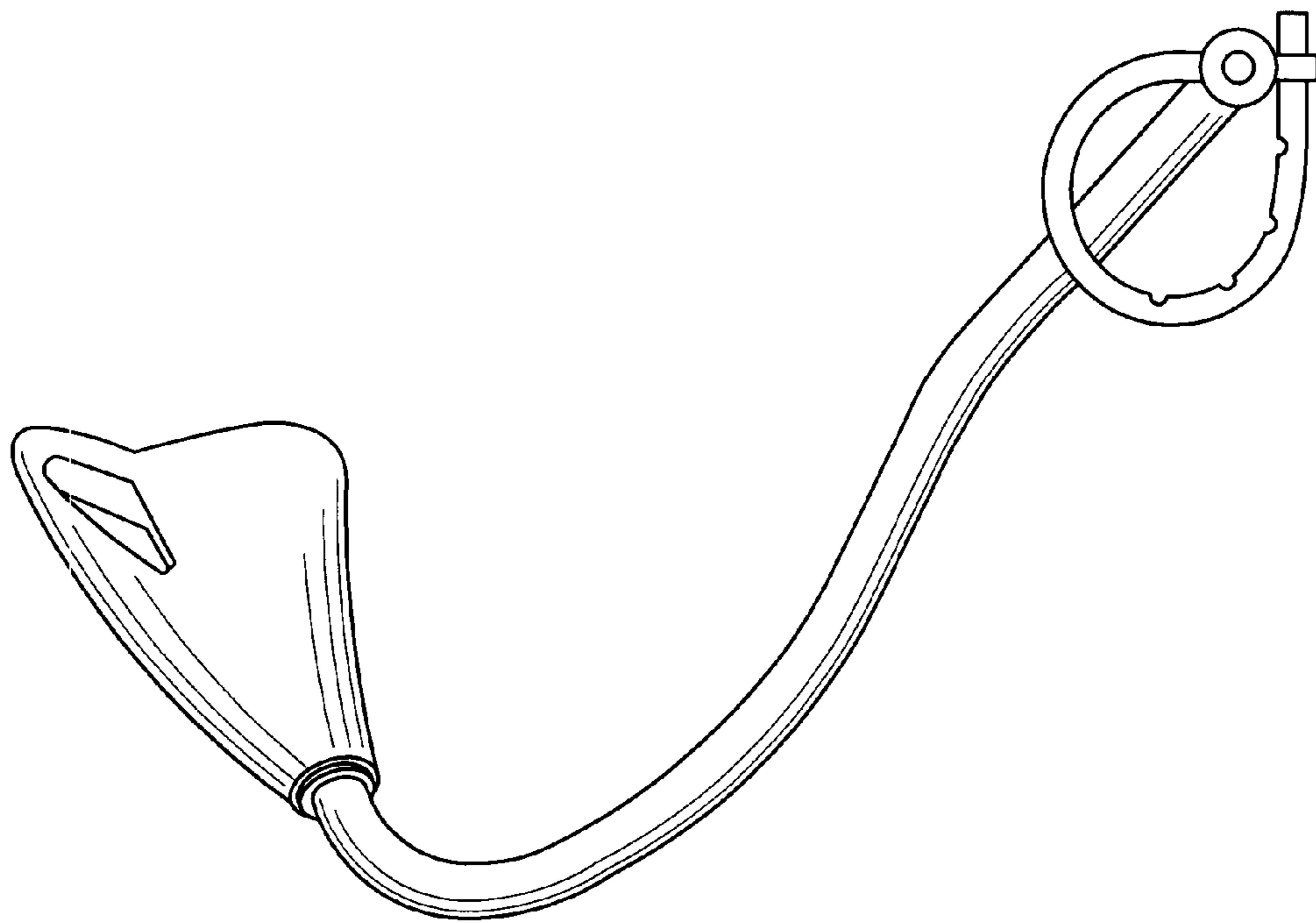


Fig. 14

UNITED STATES PATENT AND TRADEMARK OFFICE
CERTIFICATE OF CORRECTION

PATENT NO. : Des. 532,111 S
APPLICATION NO. : 29/227299
DATED : November 14, 2006
INVENTOR(S) : Christian Bohl Espersen

Page 1 of 1

It is certified that error appears in the above-identified patent and that said Letters Patent is hereby corrected as shown below:

On The Title Page:

Item (73) Assignee: should read -- Widex A/S (DK) -- .

(57) DESCRIPTION

should read -- FIG.7 is a pictorial view -- .

Signed and Sealed this

Sixth Day of February, 2007

A handwritten signature in black ink on a light gray dotted background. The signature reads "Jon W. Dudas" in a cursive style.

JON W. DUDAS

Director of the United States Patent and Trademark Office