



US00D532109S

(12) **United States Design Patent**
Carroll

(10) **Patent No.:** **US D532,109 S**

(45) **Date of Patent:** **** Nov. 14, 2006**

(54) **DRIVER FOR AN INTERNALLY DRIVEN DENTAL IMPLANT**
(76) Inventor: **Ernest A. Carroll**, c/o Northern Implants, LLC 10355-B Democracy La., Fairfax, VA (US) 22030

(**) Term: **14 Years**

(21) Appl. No.: **29/221,249**

(22) Filed: **Jan. 14, 2005**

(51) **LOC (8) Cl.** **24-02**

(52) **U.S. Cl.** **D24/152**

(58) **Field of Classification Search** D24/152, D24/155-157, 180-182; 433/172-174, 193, 433/102, 3, 50, 53, 114, 141, 144; 606/1, 606/28, 2, 2.5, 161; 435/141-142

See application file for complete search history.

(56) **References Cited**

U.S. PATENT DOCUMENTS

3,717,053	A	2/1973	Sturges	
3,850,056	A	11/1974	Allen	
4,713,003	A	12/1987	Symington et al.	
4,826,434	A	5/1989	Krueger	
4,960,381	A	10/1990	Niznick	
5,076,788	A	12/1991	Niznick	
5,195,892	A *	3/1993	Gersberg	433/174
5,328,371	A	7/1994	Hund et al.	
5,439,381	A	8/1995	Cohen	
5,556,280	A *	9/1996	Pelak	433/172

5,580,246	A	12/1996	Fried et al.	
5,584,629	A	12/1996	Bailey et al.	
D380,047	S *	6/1997	Gelb	D24/156
5,725,375	A	3/1998	Rogers	
5,810,590	A	9/1998	Fried et al.	
5,888,066	A *	3/1999	Morgan	433/172
6,431,867	B1 *	8/2002	Gittelsohn et al.	433/173
6,488,501	B1 *	12/2002	Harding	433/173
6,602,293	B1 *	8/2003	Biermann et al.	606/72
6,857,874	B1 *	2/2005	Kim	433/173

* cited by examiner

Primary Examiner—Charles A. Rademaker

(74) *Attorney, Agent, or Firm*—David L. Banner

(57) **CLAIM**

The ornamental design for a driver for an internally driven dental implant, as shown and described.

DESCRIPTION

This application is related to Ser. No. 29/216,156, for an internally driven dental implant, of common ownership with the present application, filed Nov. 1, 2004.

FIG. 1 is a top perspective view of an internally driven dental implant showing our new design;

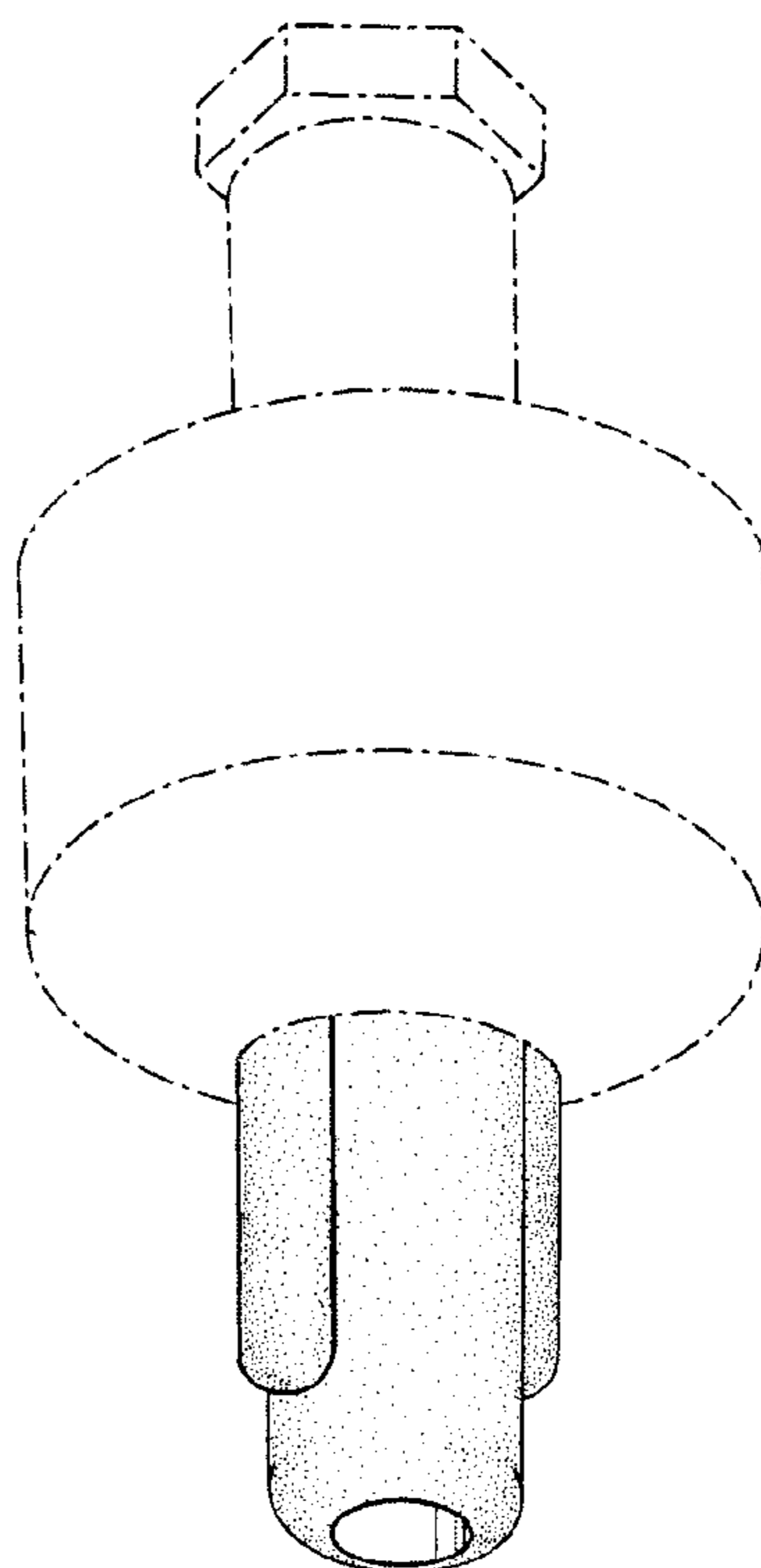
FIG. 2 is a bottom perspective view thereof;

FIG. 3 is a side elevational view thereof; and,

FIG. 4 is a bottom plan view thereof.

The broken line showing of environment in the figure drawings is for illustrative purposes only and forms no part of the claimed design.

1 Claim, 2 Drawing Sheets



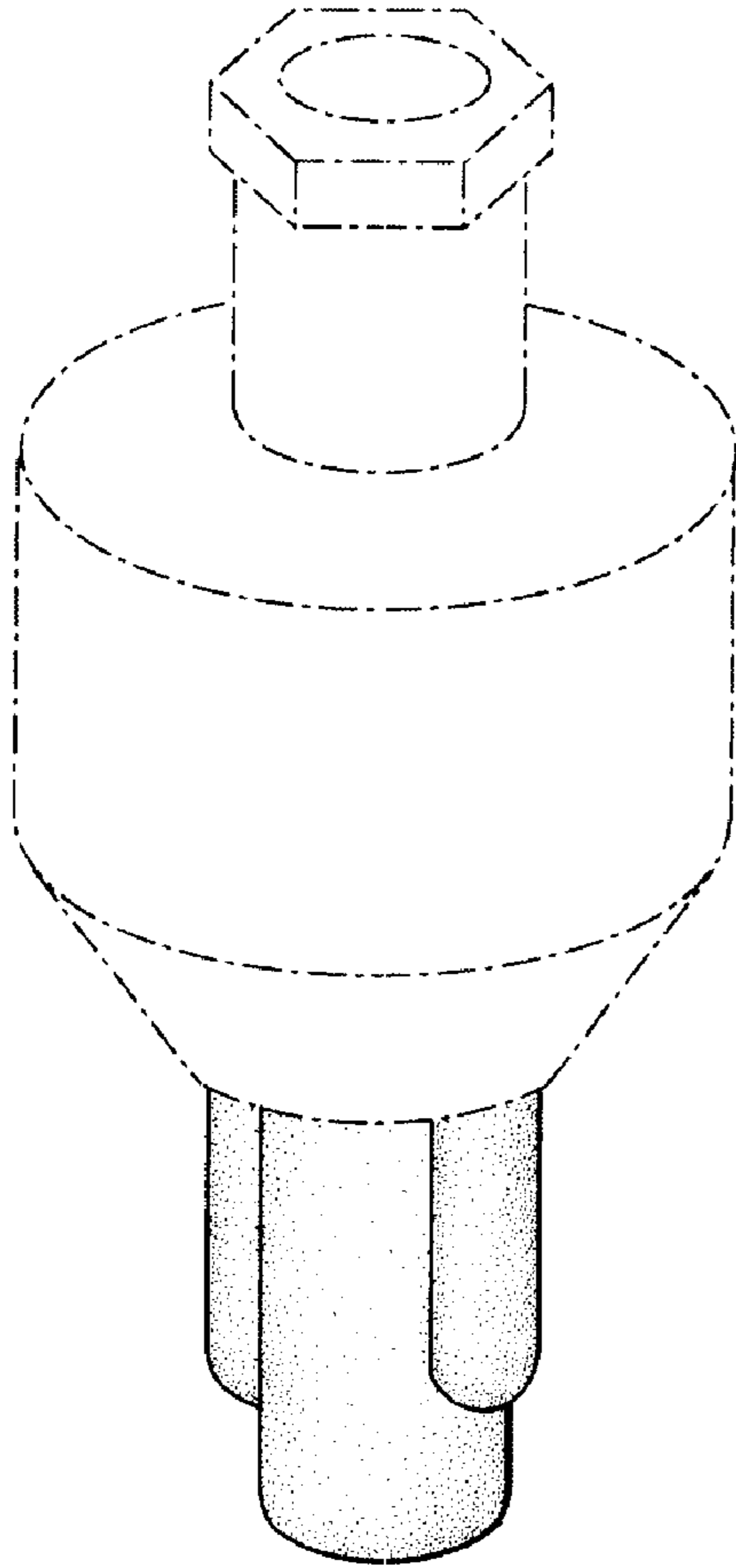


Fig. 1

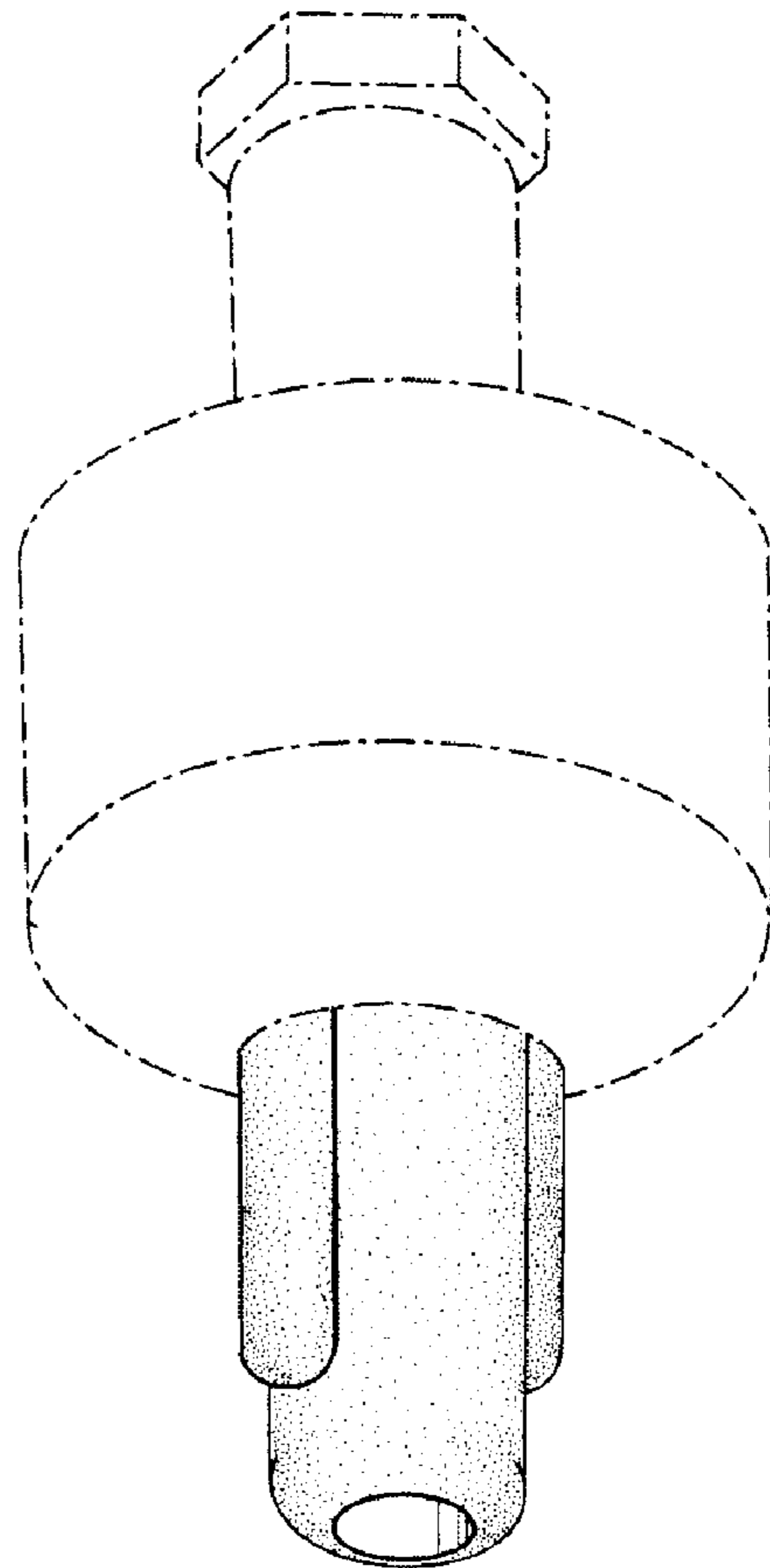


Fig. 2

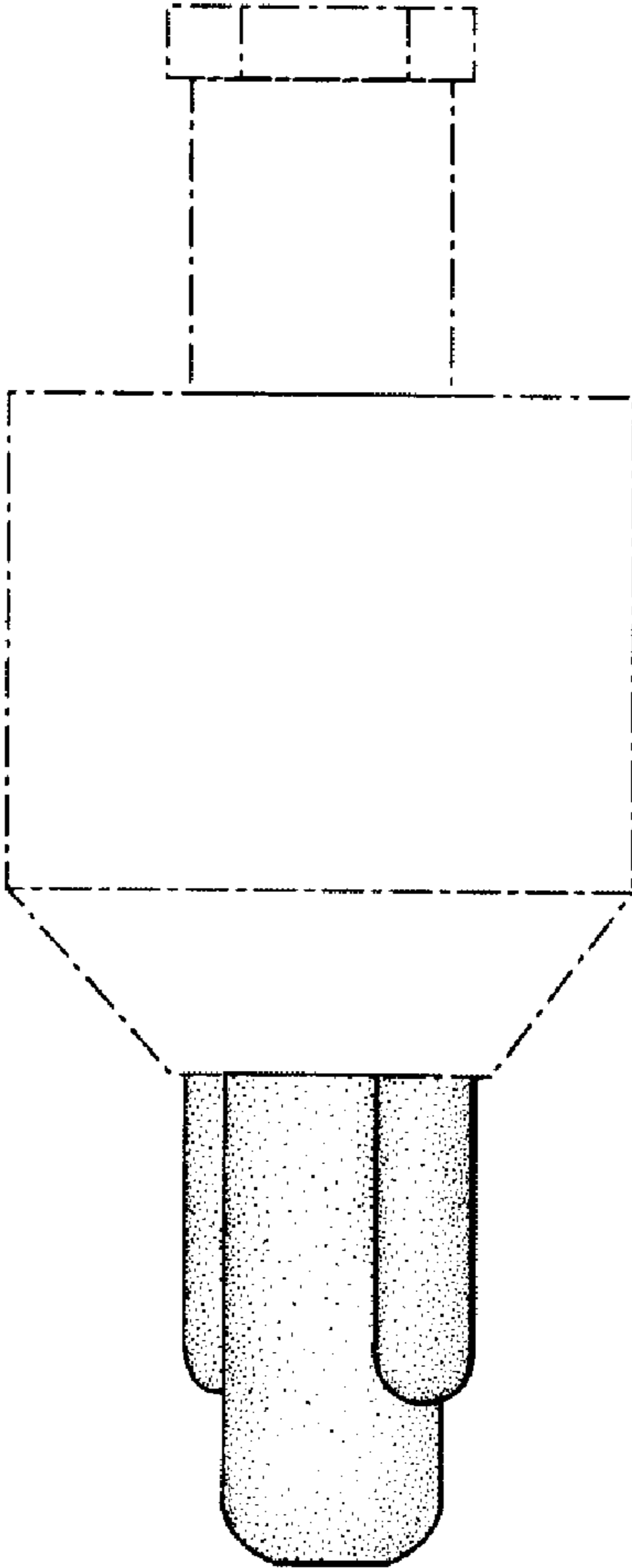


Fig. 3

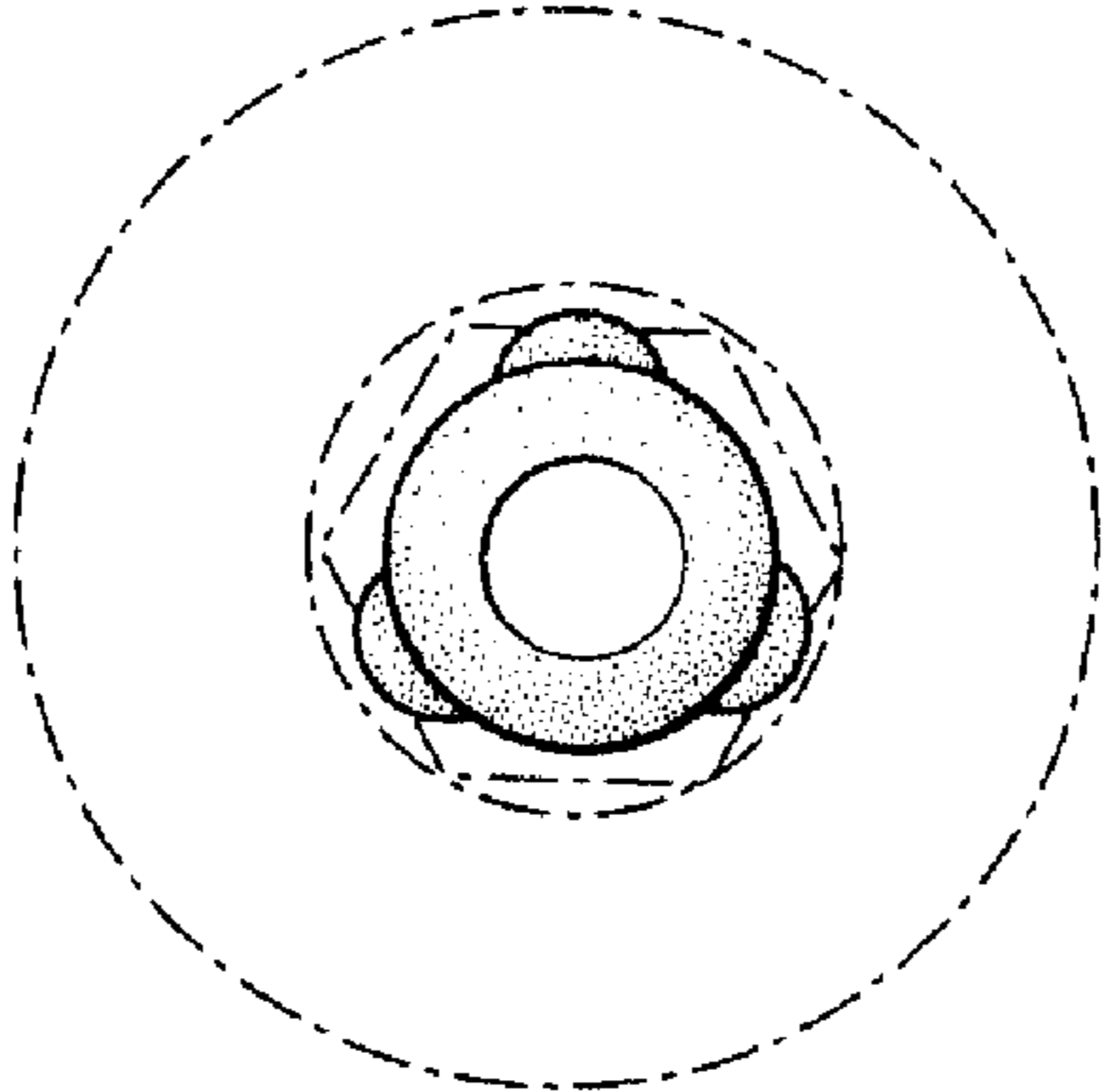


Fig. 4