



US00D532108S

(12) **United States Design Patent**
Milliman

(10) **Patent No.:** **US D532,108 S**

(45) **Date of Patent:** **** Nov. 14, 2006**

(54) **SURGICAL STAPLER**

FOREIGN PATENT DOCUMENTS

- (75) Inventor: **Keith L. Milliman**, Bethel, CT (US)
- (73) Assignee: **Tyco Healthcare Group LP**, North Haven, CT (US)
- (**) Term: **14 Years**
- (21) Appl. No.: **29/214,818**
- (22) Filed: **Oct. 8, 2004**
- (51) **LOC (8) Cl.** **24-02**
- (52) **U.S. Cl.** **D24/145**
- (58) **Field of Classification Search** D24/143,
D24/145, 146, 147; 227/19, 152, 175.1; 606/219,
606/213, 221, 144, 139
See application file for complete search history.

CA	908529	8/1972
DE	3301713	11/1958
DE	1057729	5/1959
EP	0152382	8/1985
EP	0173451	3/1986
EP	0190022	8/1986
EP	282157	9/1988
EP	0503689	9/1992
FR	1461464	12/1966
FR	1588250	4/1970
FR	1136020	12/1979
FR	2443239	12/1979
GB	1185292	3/1970
GB	2016991	9/1979
GB	2070499	9/1981
NL	7711347	10/1977
WO	8706448	11/1987
WO	8900406	1/1989
WO	9006085	6/1990

(56) **References Cited**

U.S. PATENT DOCUMENTS

3,388,647	A	6/1968	Kasulin et al.
3,552,626	A	1/1971	Astafiev
3,638,652	A	2/1972	Kelley
4,198,982	A	4/1980	Fortner et al.
4,207,898	A	6/1980	Becht
4,289,133	A	9/1981	Rothfuss
4,304,236	A	12/1981	Conta et al.
4,319,576	A	3/1982	Rothfuss
4,350,160	A	9/1982	Kolesov et al.
4,351,466	A	9/1982	Noiles
4,379,457	A	4/1983	Gravener et al.
4,473,077	A	9/1984	Noiles et al.
4,476,863	A	10/1984	Kanshin et al.
4,485,817	A	12/1984	Swiggett
4,488,523	A	12/1984	Shichman
4,505,272	A	3/1985	Utyamyshev et al.
4,505,414	A	3/1985	Filipi
4,550,870	A	11/1985	Krumme et al.
4,573,468	A	3/1986	Conta et al.
4,576,167	A	3/1986	Noiles
4,592,354	A	6/1986	Rothfuss
4,603,693	A	8/1986	Conta et al.

(Continued)

Primary Examiner—Antoine D. Davis

Assistant Examiner—Christopher Lee

(57) **CLAIM**

I claim the ornamental design for a surgical stapler, as shown and described.

DESCRIPTION

FIG. 1 is a side perspective view from above of the presently disclosed surgical stapler;

FIG. 2 is a top view of the surgical stapler shown in FIG. 1;

FIG. 3 is a side view from one side of the surgical stapler shown in FIG. 1;

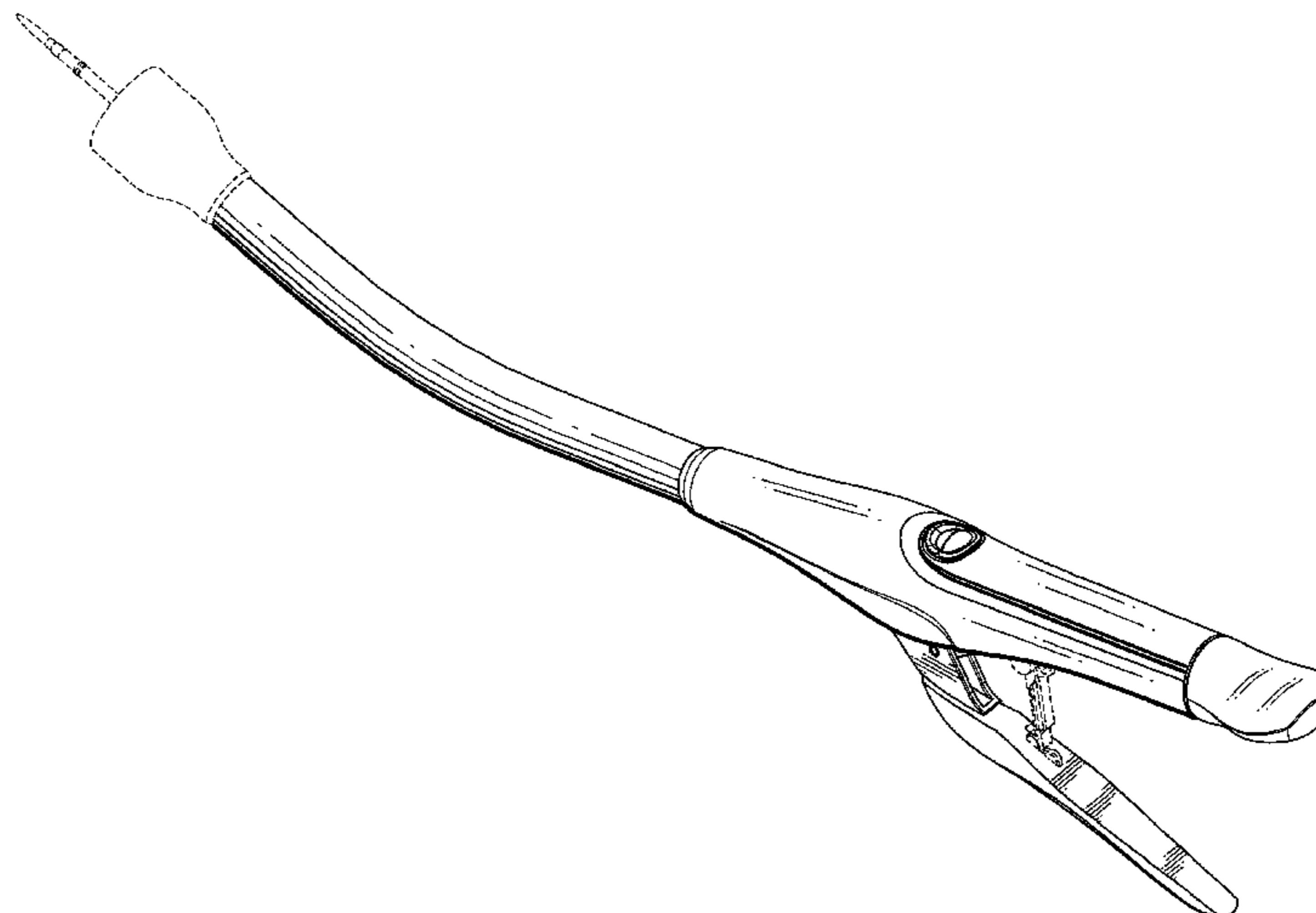
FIG. 4 is a side view from an opposite side of the surgical stapler shown in FIG. 3;

FIG. 5 is a bottom view of the surgical stapler shown in FIG. 1;

FIG. 6 is a front end view of the surgical stapler shown in FIG. 1; and,

FIG. 7 is a rear end view of the surgical stapler shown in FIG. 1.

1 Claim, 4 Drawing Sheets



US D532,108 S

Page 2

U.S. PATENT DOCUMENTS							
4,606,343	A	8/1986	Conta et al.	5,609,285	A	3/1997	Grant et al.
4,646,745	A	3/1987	Noiles	5,632,433	A	5/1997	Grant et al.
4,667,673	A	5/1987	Li	5,639,008	A	6/1997	Gallagher et al.
4,671,445	A	6/1987	Barker et al.	5,658,300	A	8/1997	Bitto et al.
4,700,703	A	10/1987	Resnick et al.	5,669,918	A	9/1997	Balazs et al.
4,703,887	A	11/1987	Clanton et al.	5,685,474	A	11/1997	Seeber
4,708,141	A	11/1987	Inoue et al.	5,709,335	A	1/1998	Heck
4,754,909	A	7/1988	Barker et al.	5,715,987	A	2/1998	Kelley et al.
4,817,847	A	4/1989	Redtenbacher et al.	5,718,360	A	2/1998	Green et al.
4,873,977	A	10/1989	Avant et al.	5,720,755	A	2/1998	Dakov
4,893,622	A	1/1990	Green et al.	5,732,872	A	3/1998	Bolduc et al.
4,903,697	A	2/1990	Resnick et al.	5,758,814	A	6/1998	Gallagher et al.
4,907,591	A	3/1990	Vasconcellos et al.	5,799,857	A	9/1998	Robertson et al.
4,917,114	A	4/1990	Green et al.	5,836,503	A	11/1998	Ehrenfels et al.
4,957,499	A	9/1990	Lipatov et al.	5,839,639	A	11/1998	Sauer et al.
5,005,749	A	4/1991	Aranyi	5,855,312	A	1/1999	Toledano
5,042,707	A	8/1991	Taheri	5,860,581	A	1/1999	Robertson et al.
5,047,039	A	9/1991	Avant et al.	5,868,760	A	2/1999	McGuckin, Jr.
5,104,025	A	4/1992	Main et al.	5,881,943	A	3/1999	Heck et al.
5,119,983	A	6/1992	Green et al.	5,915,616	A	6/1999	Viola et al.
5,122,156	A	6/1992	Granger et al.	5,947,363	A	9/1999	Bolduc et al.
5,139,513	A	8/1992	Segato	5,951,576	A	9/1999	Wakabayashi
5,158,222	A	10/1992	Green et al.	5,957,363	A	9/1999	Heck
5,188,638	A	2/1993	Tzakis	5,993,468	A	11/1999	Rygaard
5,193,731	A	3/1993	Aranyi	6,050,472	A	4/2000	Shibata
5,197,648	A	3/1993	Gingold	6,053,390	A	4/2000	Green et al.
5,197,649	A	3/1993	Bessler et al.	6,068,636	A	5/2000	Chen
5,205,459	A	4/1993	Brinkerhoff et al.	6,083,241	A	7/2000	Longo et al.
5,221,036	A	6/1993	Takase	6,102,271	A	8/2000	Longo et al.
5,222,963	A	6/1993	Brinkerhoff et al.	6,117,148	A	9/2000	Ravo et al.
5,253,793	A	10/1993	Green et al.	6,119,913	A	9/2000	Adams et al.
5,261,920	A	11/1993	Main et al.	6,126,058	A	10/2000	Adams et al.
5,271,543	A	12/1993	Grant et al.	6,149,667	A	11/2000	Hovland et al.
5,271,544	A	12/1993	Fox et al.	6,176,413	B1	1/2001	Heck et al.
5,275,322	A	1/1994	Brinkerhoff et al.	6,179,195	B1	1/2001	Adams et al.
5,285,810	A	2/1994	Gotthelf	6,193,129	B1	2/2001	Bittner et al.
5,285,944	A	2/1994	Green et al.	6,203,553	B1	3/2001	Robertson et al.
5,285,945	A	2/1994	Brinkerhoff et al.	6,209,773	B1	4/2001	Bolduc et al.
5,292,053	A	3/1994	Bilotti et al.	6,241,140	B1	6/2001	Adams et al.
5,309,927	A	5/1994	Welch	6,253,984	B1	7/2001	Heck et al.
5,312,024	A	5/1994	Grant et al.	6,258,107	B1	7/2001	Balázcs et al.
5,314,435	A	5/1994	Green et al.	6,264,086	B1	7/2001	McGuckin, Jr.
5,314,436	A	5/1994	Wilk	6,269,997	B1	8/2001	Balázcs et al.
5,330,486	A	7/1994	Wilk	6,279,809	B1	8/2001	Nicolo
5,333,773	A	8/1994	Main et al.	6,302,311	B1	10/2001	Adams et al.
5,344,059	A	9/1994	Green et al.	6,338,737	B1	1/2002	Toledano
5,346,115	A	9/1994	Perouse et al.	6,343,731	B1	2/2002	Adams et al.
5,348,259	A	9/1994	Bianco et al.	6,387,105	B1	5/2002	Gifford, III et al.
5,350,104	A	9/1994	Main et al.	6,398,795	B1	6/2002	McAlister et al.
5,355,897	A	10/1994	Pietrafitta et al.	6,402,008	B1	6/2002	Lucas
5,360,154	A	11/1994	Green	6,450,390	B1	9/2002	Heck et al.
5,368,215	A	11/1994	Green et al.	6,478,210	B1	11/2002	Adams et al.
5,392,979	A	2/1995	Green et al.	6,488,197	B1	12/2002	Whitman
5,395,030	A	3/1995	Kuramoto et al.	6,491,201	B1	12/2002	Whitman
5,403,333	A	4/1995	Kaster et al.	6,494,877	B1	12/2002	Odell et al.
5,404,870	A	4/1995	Brinkerhoff et al.	6,503,259	B1	1/2003	Huxel et al.
5,411,508	A	5/1995	Bessler et al.	6,517,566	B1	2/2003	Hovland et al.
5,433,721	A	7/1995	Hooven et al.	6,520,398	B1	2/2003	Nicolo
5,437,684	A	8/1995	Calabrese et al.	6,533,157	B1	3/2003	Whitman
5,439,156	A	8/1995	Grant et al.	6,578,751	B1	6/2003	Hartwick
5,443,198	A	8/1995	Viola et al.	6,585,144	B1	7/2003	Adams et al.
5,445,644	A	8/1995	Pietrafitta et al.	6,588,643	B1	7/2003	Bolduc et al.
5,447,514	A	9/1995	Gerry et al.	6,592,596	B1	7/2003	Geitz
5,454,825	A	10/1995	Van Leeuwen et al.	6,601,749	B1	8/2003	Sullivan et al.
5,470,006	A	11/1995	Rodak	6,605,078	B1	8/2003	Adams
5,474,223	A	12/1995	Viola et al.	6,623,227	B1	9/2003	Scott et al.
5,497,934	A	3/1996	Brady et al.	6,626,921	B1	9/2003	Blatter et al.
5,522,534	A	6/1996	Viola et al.	6,629,630	B1	10/2003	Adams
5,533,661	A	7/1996	Main et al.	6,631,837	B1	10/2003	Heck
5,588,579	A	12/1996	Schnut et al.	6,632,227	B1	10/2003	Adams
				6,632,237	B1	10/2003	Ben-David et al.

US D532,108 S

6,659,327 B1	12/2003	Heck et al.	2003/0065342 A1	4/2003	Nobis et al.
6,676,671 B1	1/2004	Robertson et al.	2003/0073981 A1	4/2003	Whitman et al.
6,681,979 B1	1/2004	Whitman	2003/0089757 A1	5/2003	Whitman
6,685,079 B1	2/2004	Sharma et al.	2003/0111507 A1	6/2003	Nunez
6,695,198 B1	2/2004	Adams et al.	2003/0127491 A1	7/2003	Adams et al.
6,695,199 B1	2/2004	Whitman	2003/0132267 A1	7/2003	Adams et al.
6,716,222 B1	4/2004	McAlister et al.	2003/0144675 A1	7/2003	Nicolo
6,716,233 B1	4/2004	Whitman	2003/0178465 A1	9/2003	Bilotti et al.
6,742,692 B1	6/2004	Hartwick	2003/0183471 A1	10/2003	Mooradian et al.
6,763,993 B1	7/2004	Bolduc et al.	2003/0192936 A1	10/2003	Hartwick
6,769,590 B1	8/2004	Vresh et al.	2003/0192937 A1	10/2003	Sullivan et al.
6,769,594 B1	8/2004	Orban, III	2003/0201301 A1	10/2003	Bolduc et al.
6,820,791 B1	11/2004	Adams	2003/0218047 A1	11/2003	Sharma et al.
6,827,246 B1	12/2004	Sullivan et al.	2003/0222117 A1	12/2003	Orban, III
6,840,423 B1	1/2005	Adams et al.	2004/0092960 A1	5/2004	Abrams et al.
6,866,178 B1	3/2005	Adams et al.	2004/0092974 A1	5/2004	Gannoe et al.
6,872,214 B1	3/2005	Sonnenschein et al.	2004/0118896 A1	6/2004	Sharma et al.
6,874,669 B1	4/2005	Adams et al.	2004/0134964 A1	7/2004	Adams et al.
6,884,250 B1	4/2005	Monassevitch et al.	2004/0153124 A1	8/2004	Whitman
6,905,504 B1	6/2005	Vargas	2004/0232198 A1	11/2004	Adams et al.
6,938,814 B1	9/2005	Sharma et al.	2005/0051597 A1	3/2005	Tolendano
6,945,444 B1 *	9/2005	Gresham et al. 227/175.1	2005/0067454 A1	3/2005	Vresh et al.
2001/0000903 A1	5/2001	Heck et al.	2005/0087580 A1	4/2005	Orban, III
2001/0010320 A1	8/2001	Bolduc et al.	2005/0107813 A1	5/2005	Gilete Garcia
2001/0054636 A1	12/2001	Nicolo	2005/0116009 A1	6/2005	Milliman
2002/0020732 A1	2/2002	Adams et al.	2005/0125009 A1	6/2005	Perry et al.
2002/0047036 A1	4/2002	Sullivan et al.	2005/0143758 A1	6/2005	Abbott et al.
2002/0063143 A1	5/2002	Adams et al.	2005/0145674 A1	7/2005	Sonnenschein et al.
2002/0185516 A1	12/2002	Heck et al.	2005/0145675 A1	7/2005	Hartwick et al.
2002/0185517 A1	12/2002	Vresh et al.	2006/0097025 A1 *	5/2006	Milliman et al. 227/175.1
2003/0019905 A1	1/2003	Adams et al.			
2003/0047582 A1	3/2003	Sonnenschein et al.			
2003/0057251 A1	3/2003	Hartwick			

* cited by examiner

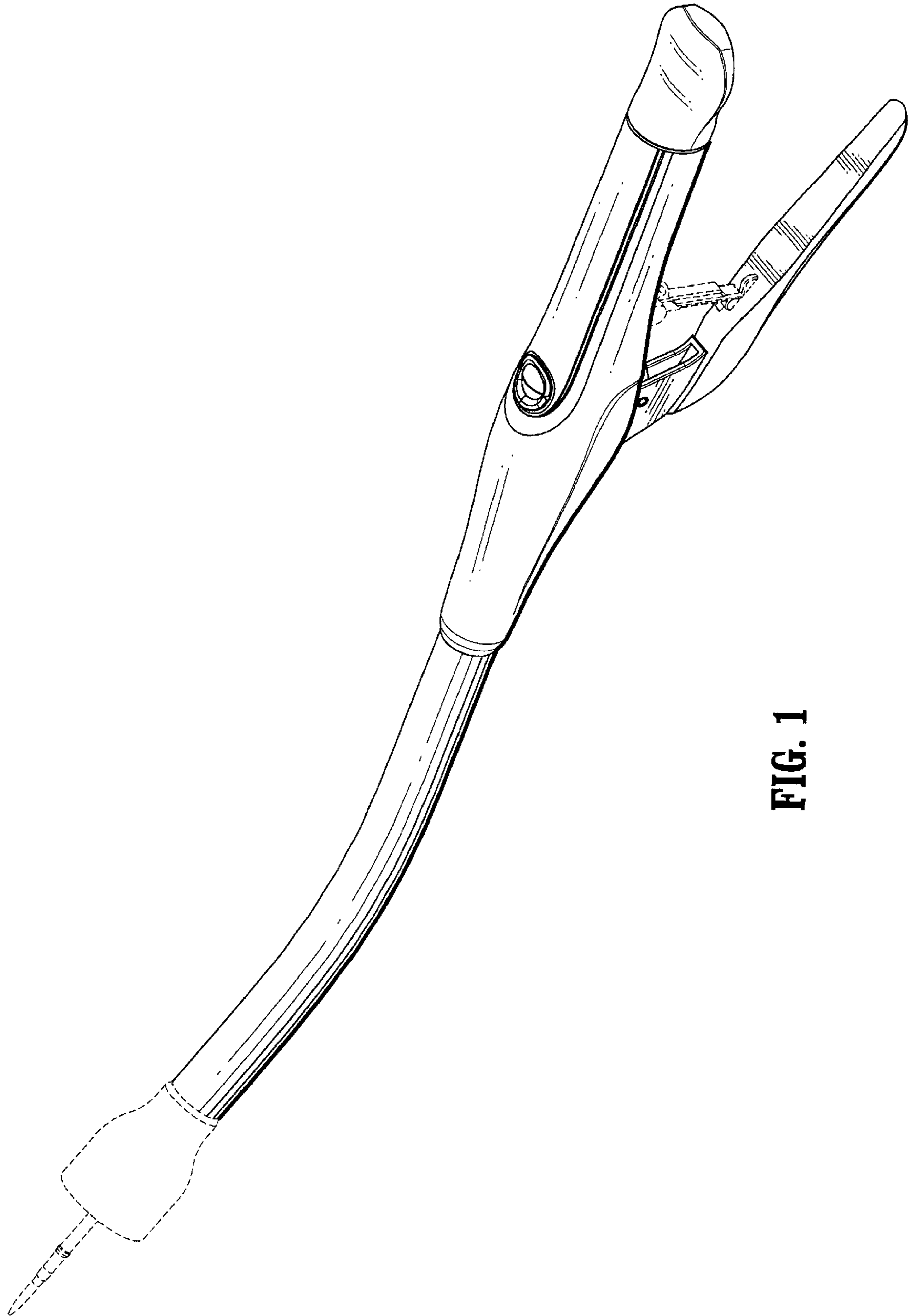


FIG. 1

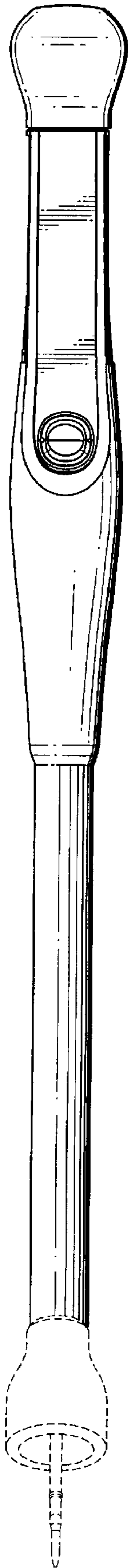


FIG. 2

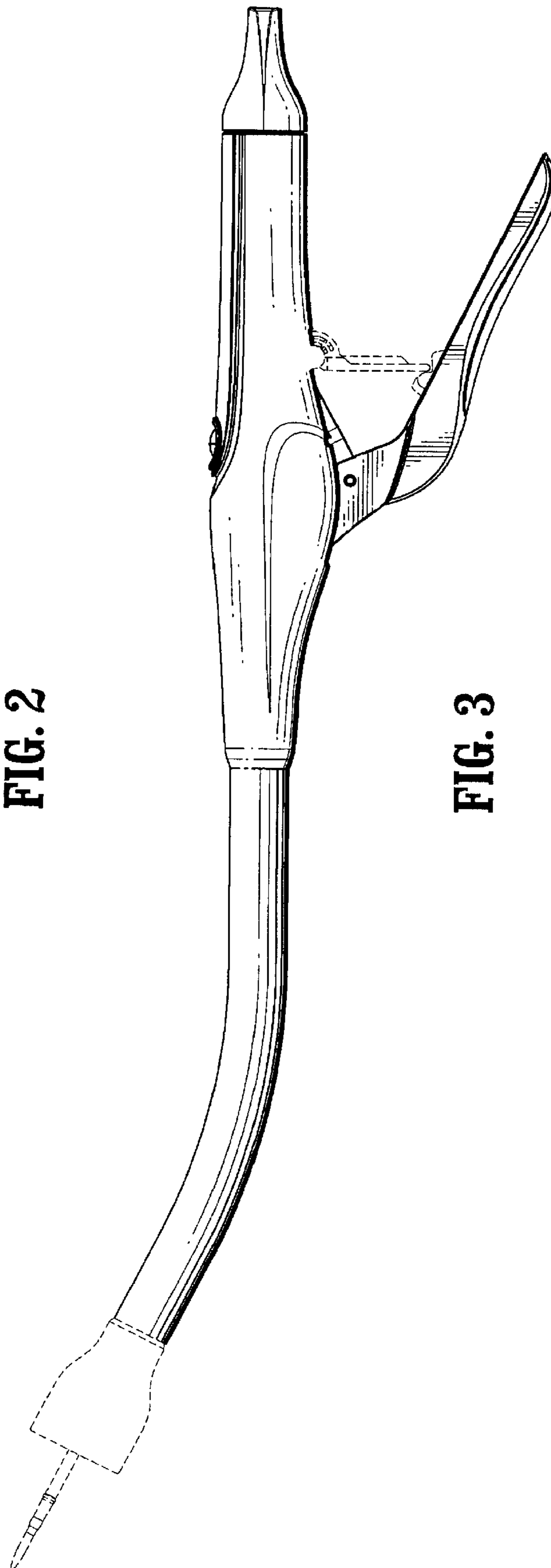


FIG. 3

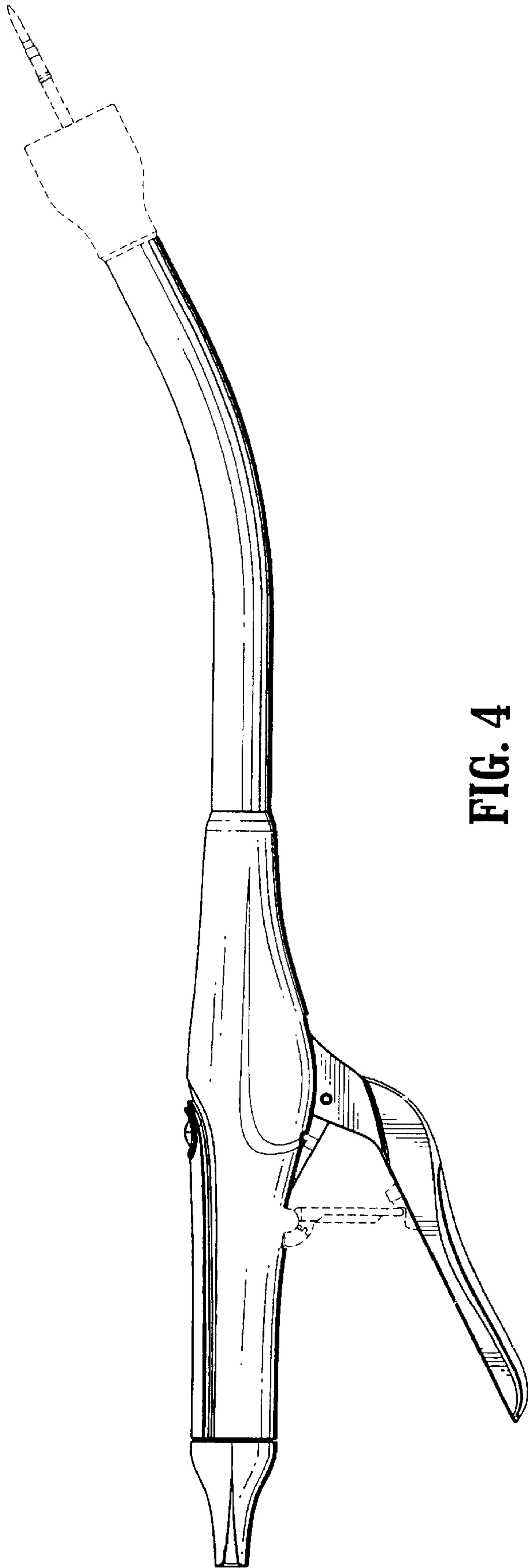


FIG. 4

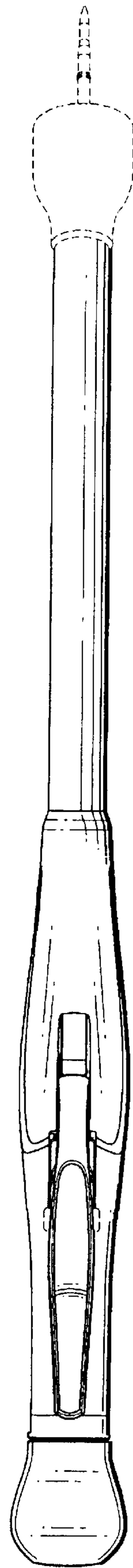


FIG. 5

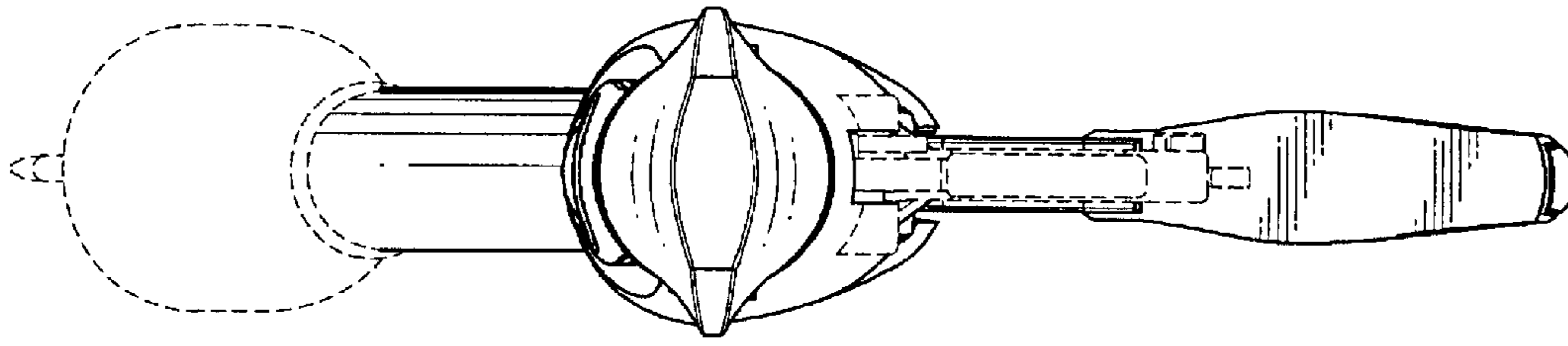


FIG. 7

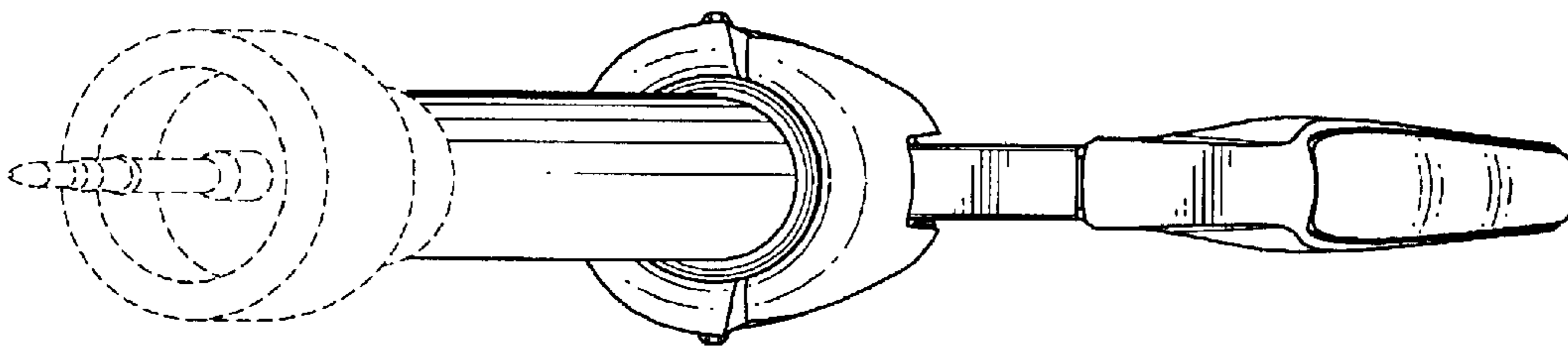


FIG. 6